



US00D984075S

(12) **United States Design Patent**  
**Zhang**

(10) **Patent No.:** **US D984,075 S**  
(45) **Date of Patent:** **\*\* Apr. 18, 2023**

(54) **DISH RACK**

(71) Applicant: **Xiaodan Zhang**, Sangzhi (CN)

(72) Inventor: **Xiaodan Zhang**, Sangzhi (CN)

(\*\*) Term: **15 Years**

(21) Appl. No.: **29/861,738**

(22) Filed: **Dec. 2, 2022**

(51) **LOC (14) Cl.** ..... **07-05**

(52) **U.S. Cl.**  
USPC ..... **D32/55**

(58) **Field of Classification Search**  
USPC ..... D32/55, 276, 3; D6/510, 525; D30/133;  
211/41.5, 41.4, 41.3, 41.8; 361/679.4;  
312/311, 333, 334.4; D7/354, 629  
CPC ..... A47J 47/20; A47J 2201/00; A47J 47/00;  
B65D 35/02; B65D 35/22; B65D 35/56  
See application file for complete search history.

(56) **References Cited**

**U.S. PATENT DOCUMENTS**

D554,318 S *	10/2007	Yang	.....	D32/55
D554,819 S *	11/2007	Shah	.....	D32/55
D559,491 S *	1/2008	Yang	.....	D32/55
D693,081 S *	11/2013	Yang	.....	D32/55
D776,385 S *	1/2017	Evans	.....	D32/55
D820,543 S *	6/2018	Huang	.....	D32/55
D874,775 S *	2/2020	Xie	.....	D32/55
D915,707 S *	4/2021	Li	.....	D32/55
D919,218 S	5/2021	Asis		
D921,316 S *	6/2021	Zhou	.....	D32/55

D925,852 S	7/2021	XiangZe		
D928,442 S *	8/2021	Zhan	.....	D32/55
D930,930 S *	9/2021	Tan	.....	D32/55
D939,167 S *	12/2021	Fan	.....	D32/55
D950,877 S	5/2022	Tuang		
D957,779 S *	7/2022	Zang	.....	D32/55
D967,583 S *	10/2022	Zheng	.....	D32/55
D967,584 S *	10/2022	Liu	.....	D32/55
2016/0249783 A1 *	9/2016	Oh	.....	A47L 19/04 211/41.4

\* cited by examiner

*Primary Examiner* — Austin Murphy

(74) *Attorney, Agent, or Firm* — Rumit Ranjit Kanakia

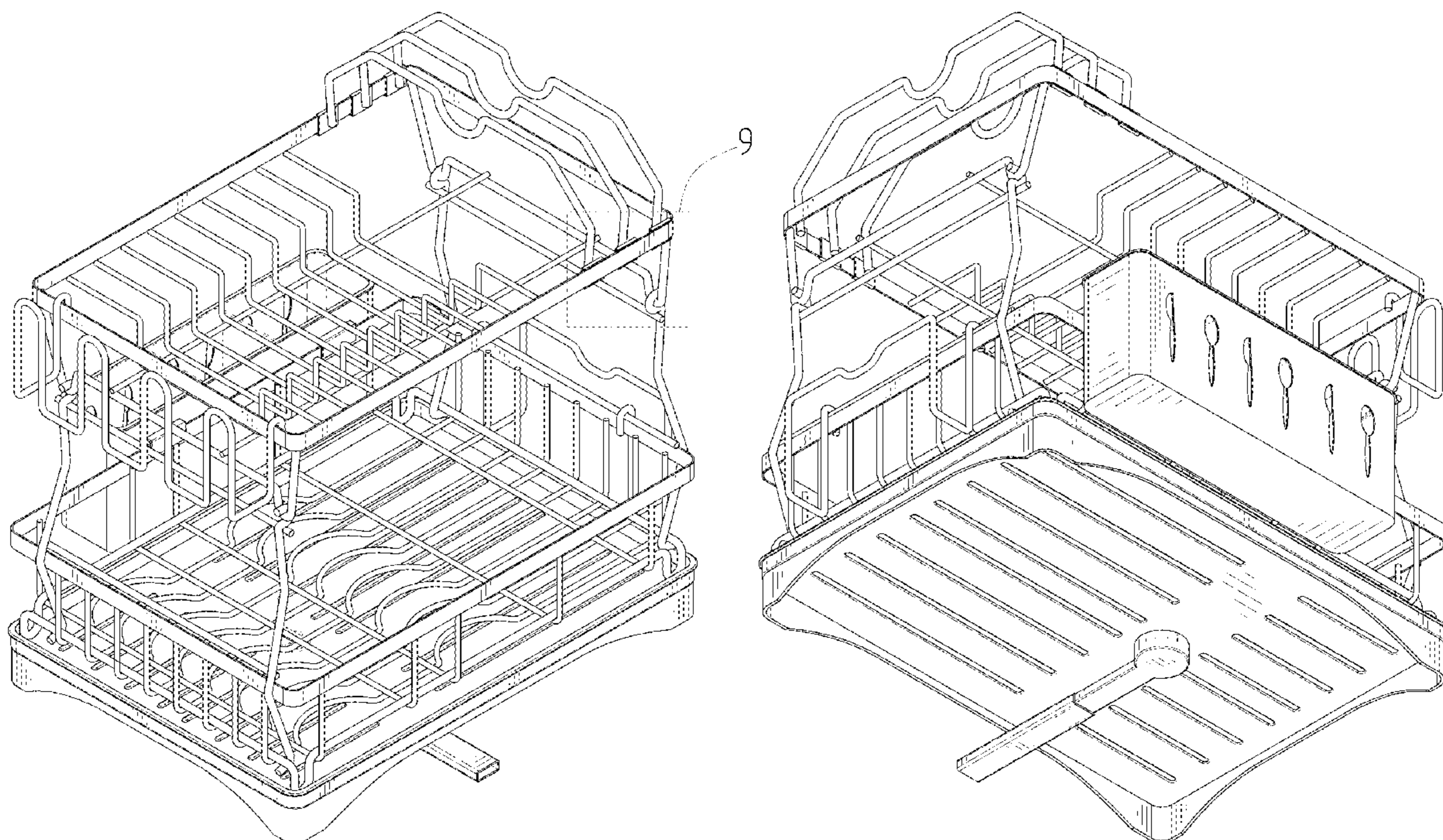
(57) **CLAIM**

The ornamental design for a dish rack, as shown and described.

**DESCRIPTION**

FIG. 1 is a first perspective view of a dish rack showing my new design;  
 FIG. 2 is a second perspective view thereof;  
 FIG. 3 is a front view thereof;  
 FIG. 4 is a back view thereof;  
 FIG. 5 is a left side view thereof;  
 FIG. 6 is a right side view thereof;  
 FIG. 7 is a top view thereof;  
 FIG. 8 is a bottom view thereof; and,  
 FIG. 9 is an enlarged view of the selected portion 9 in FIG. 1.  
 The broken lines shown in the drawings depict portions of the dish rack that form no part of the claimed design.

**1 Claim, 9 Drawing Sheets**



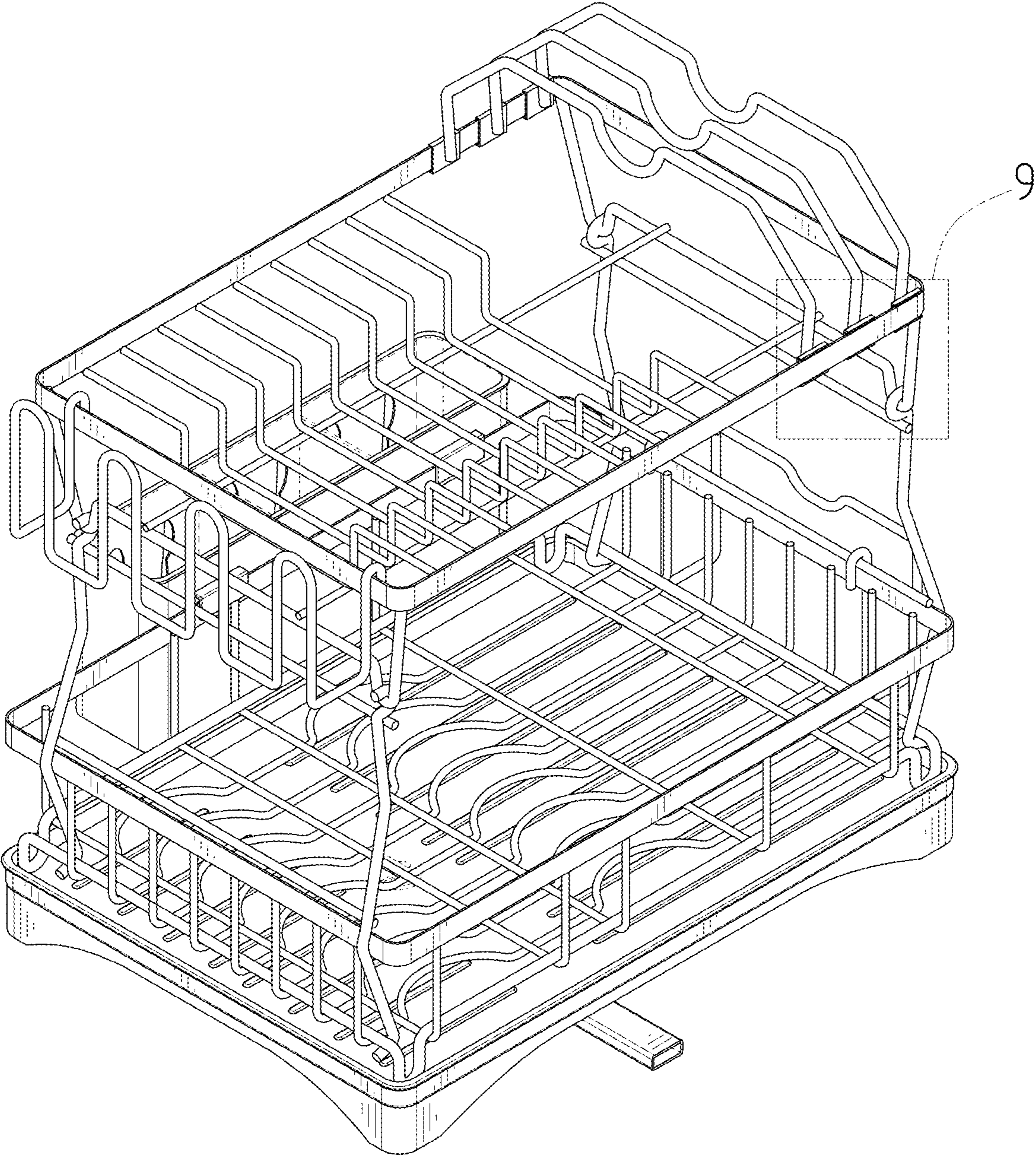


FIG. 1

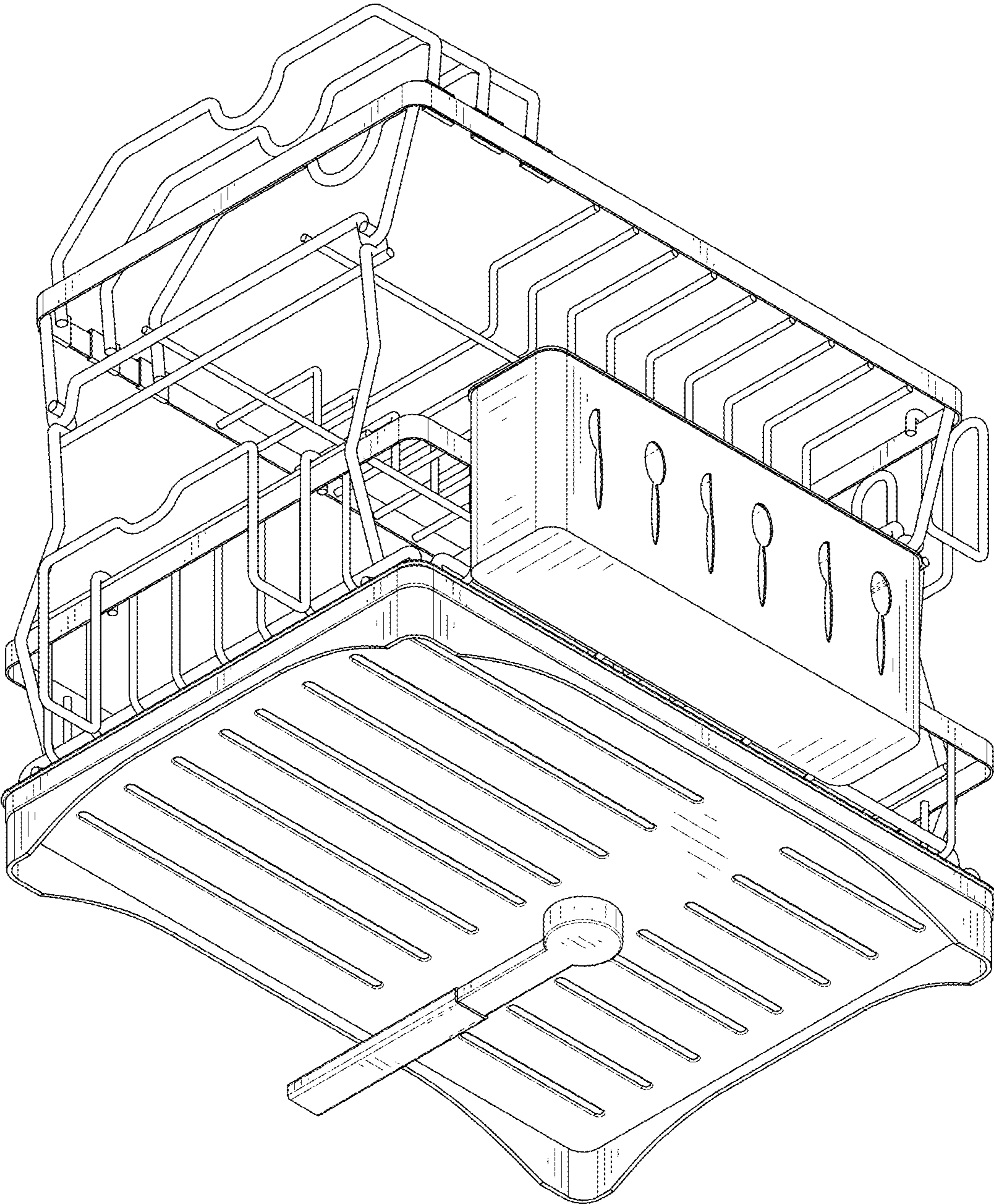


FIG. 2

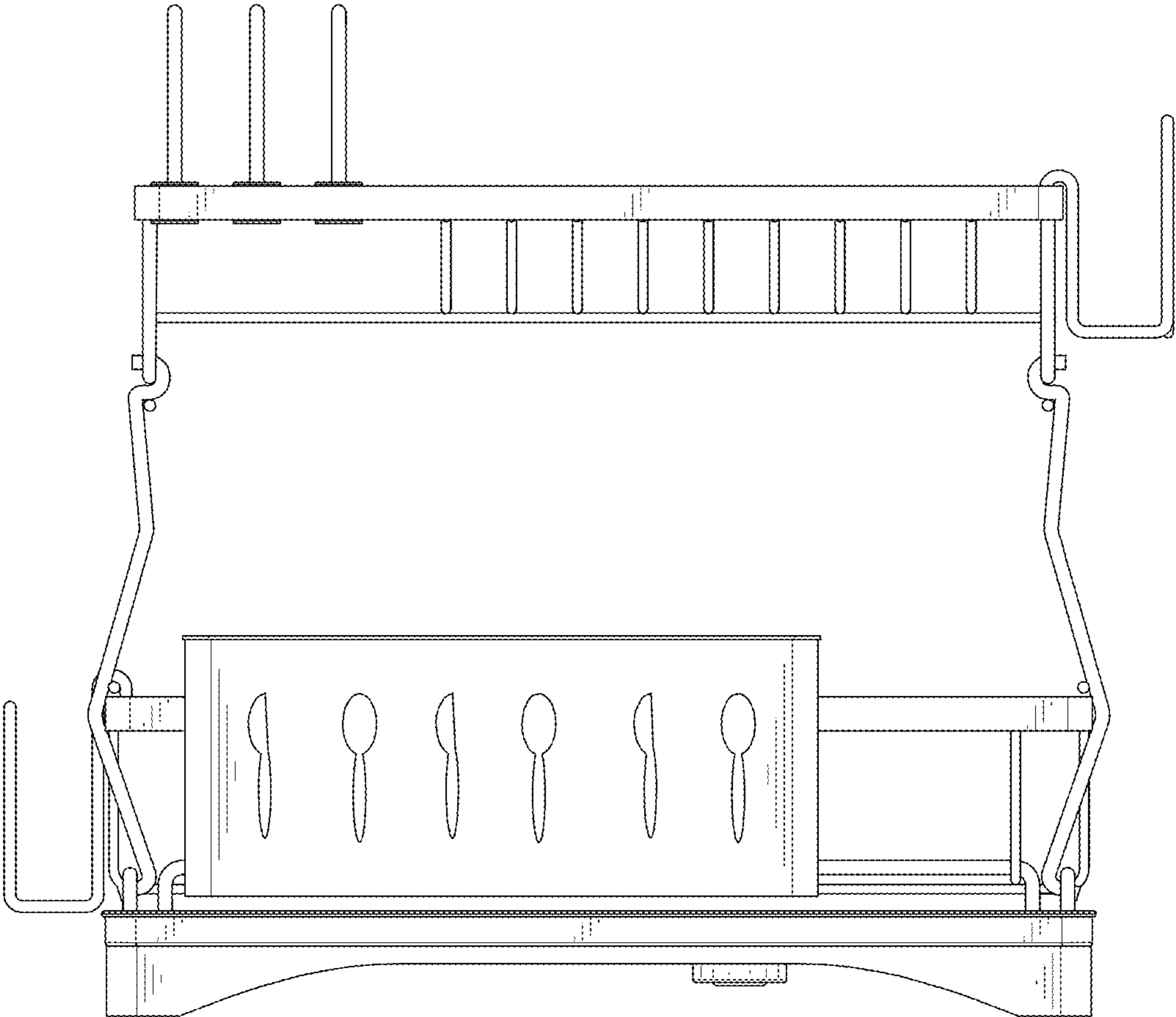


FIG. 3

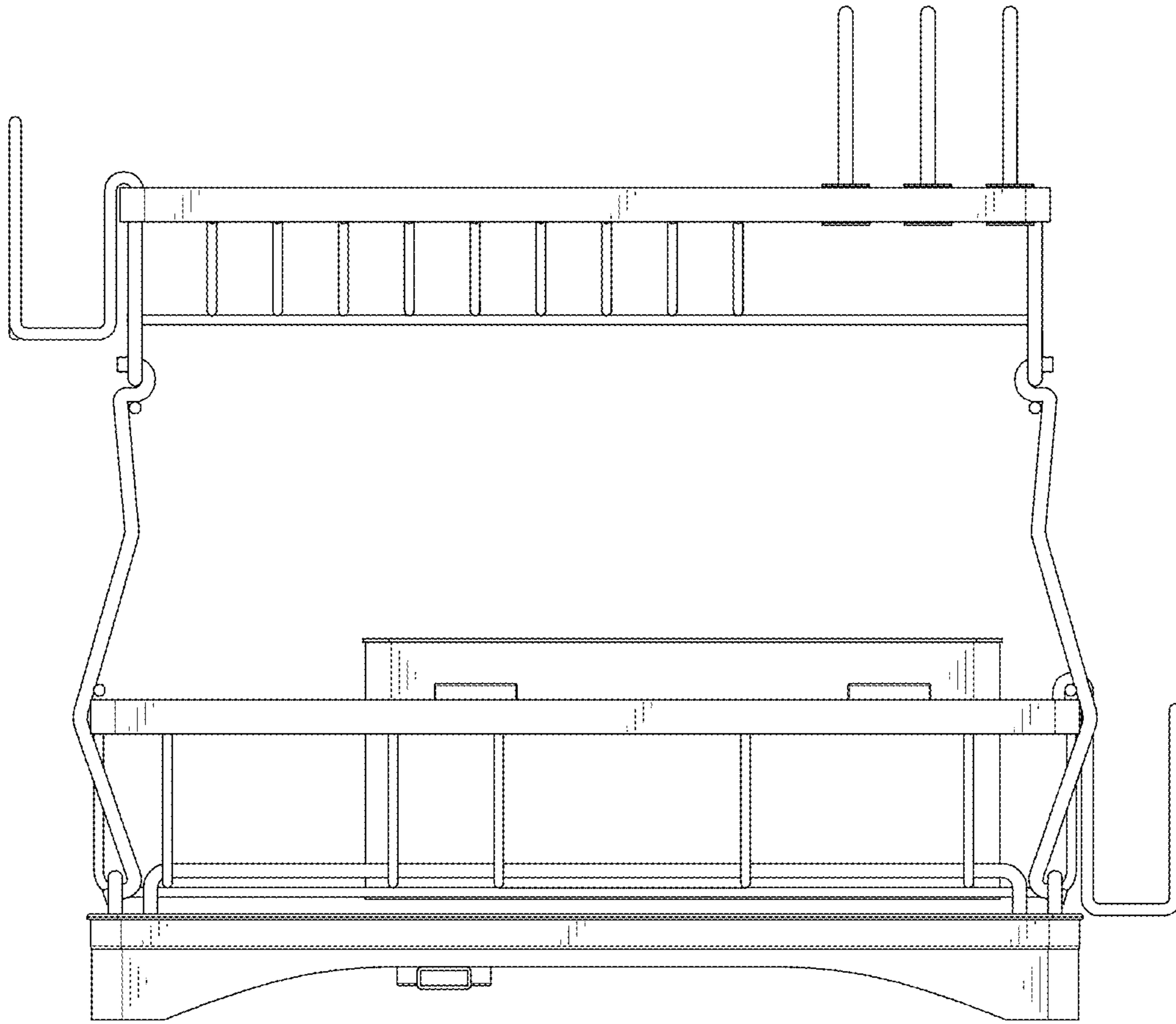


FIG. 4

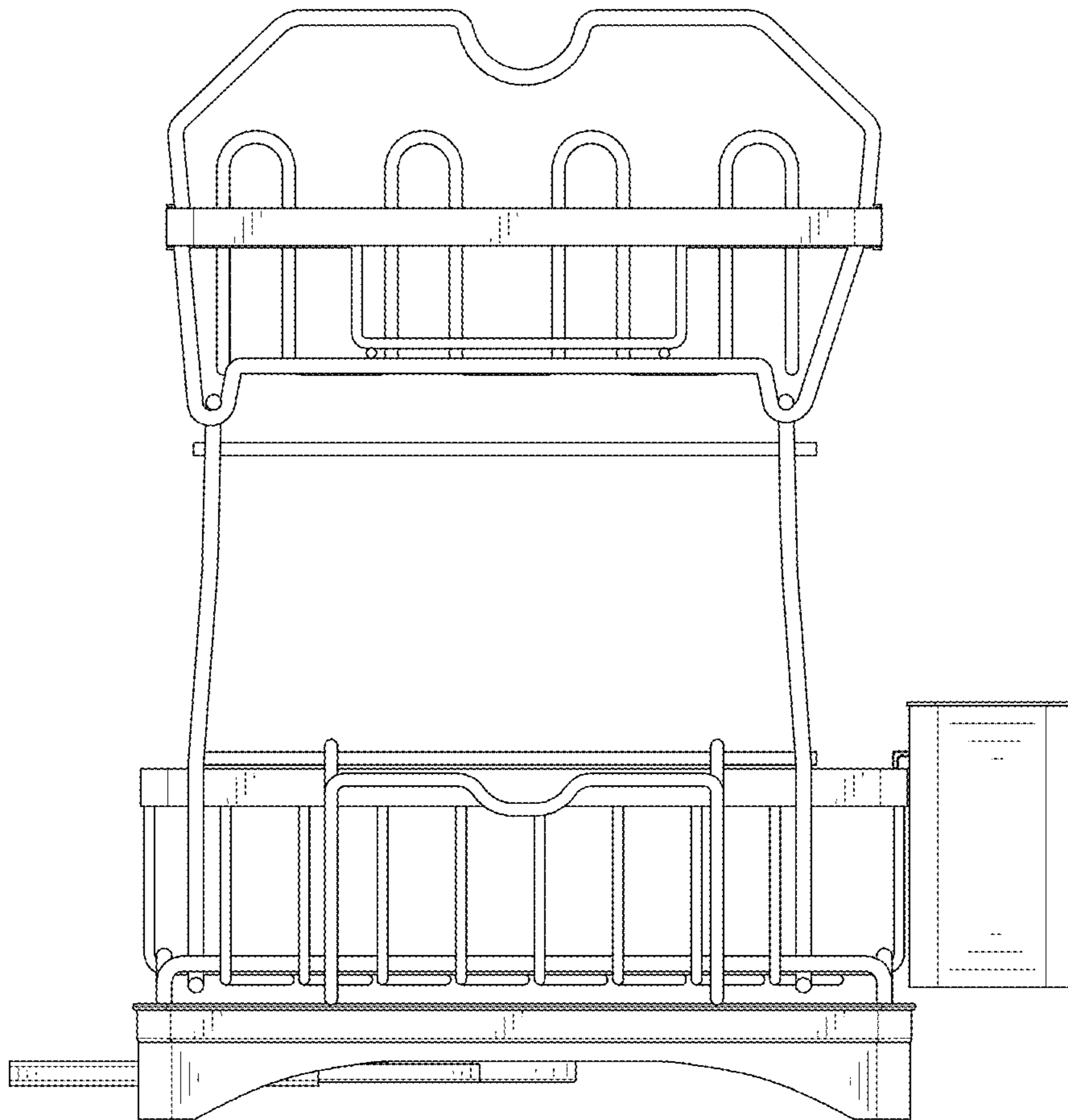


FIG. 5

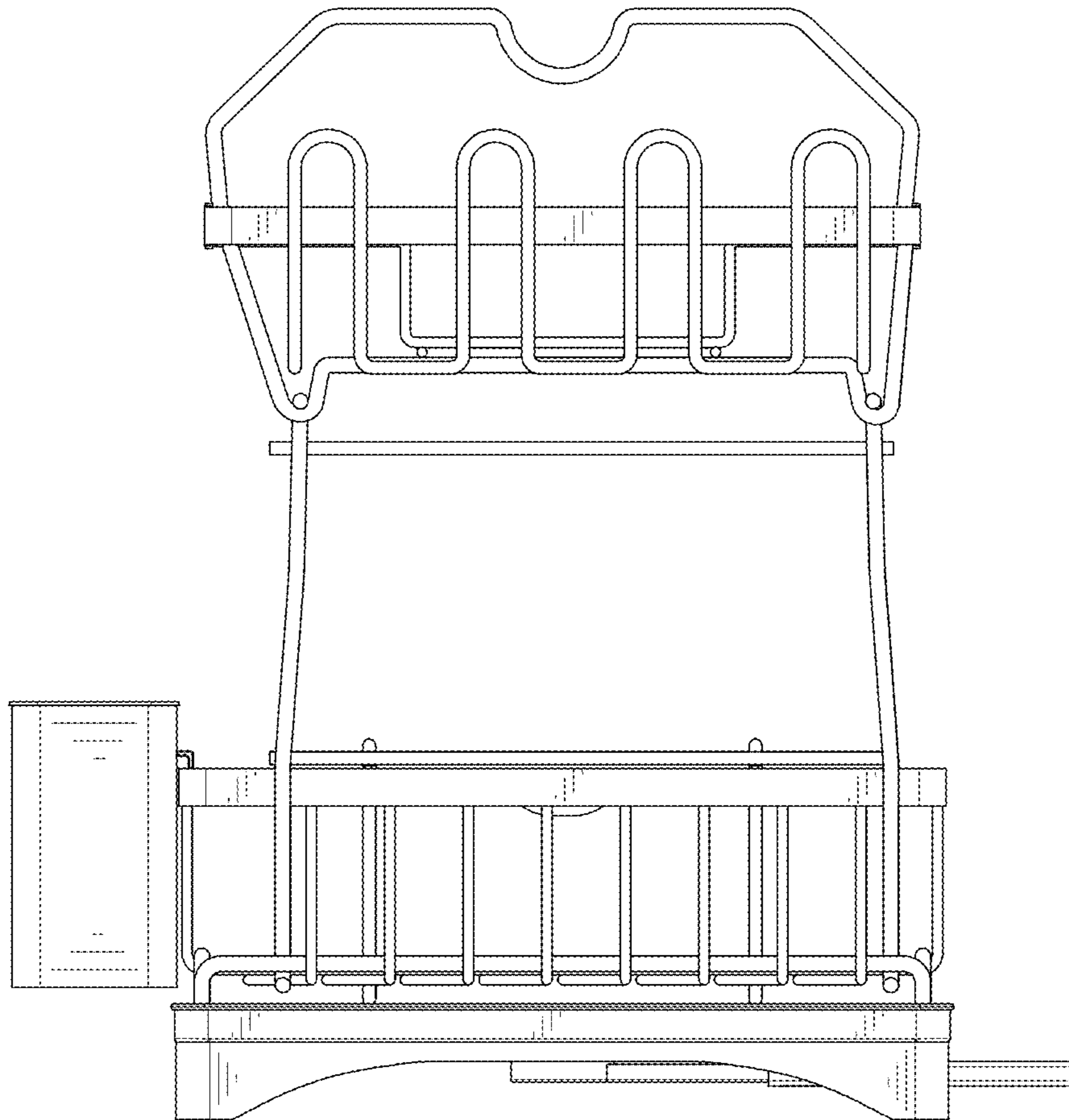


FIG. 6

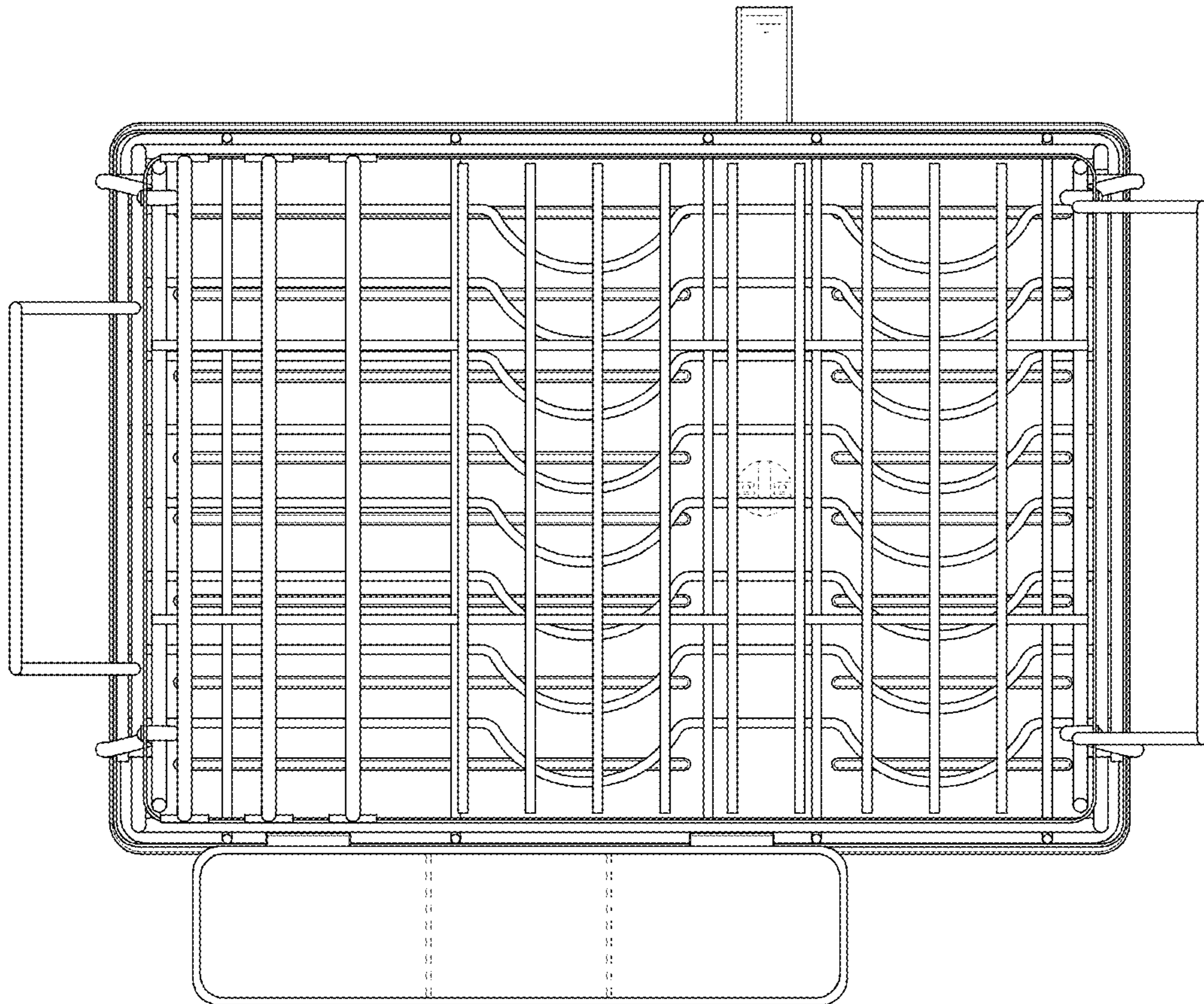


FIG. 7



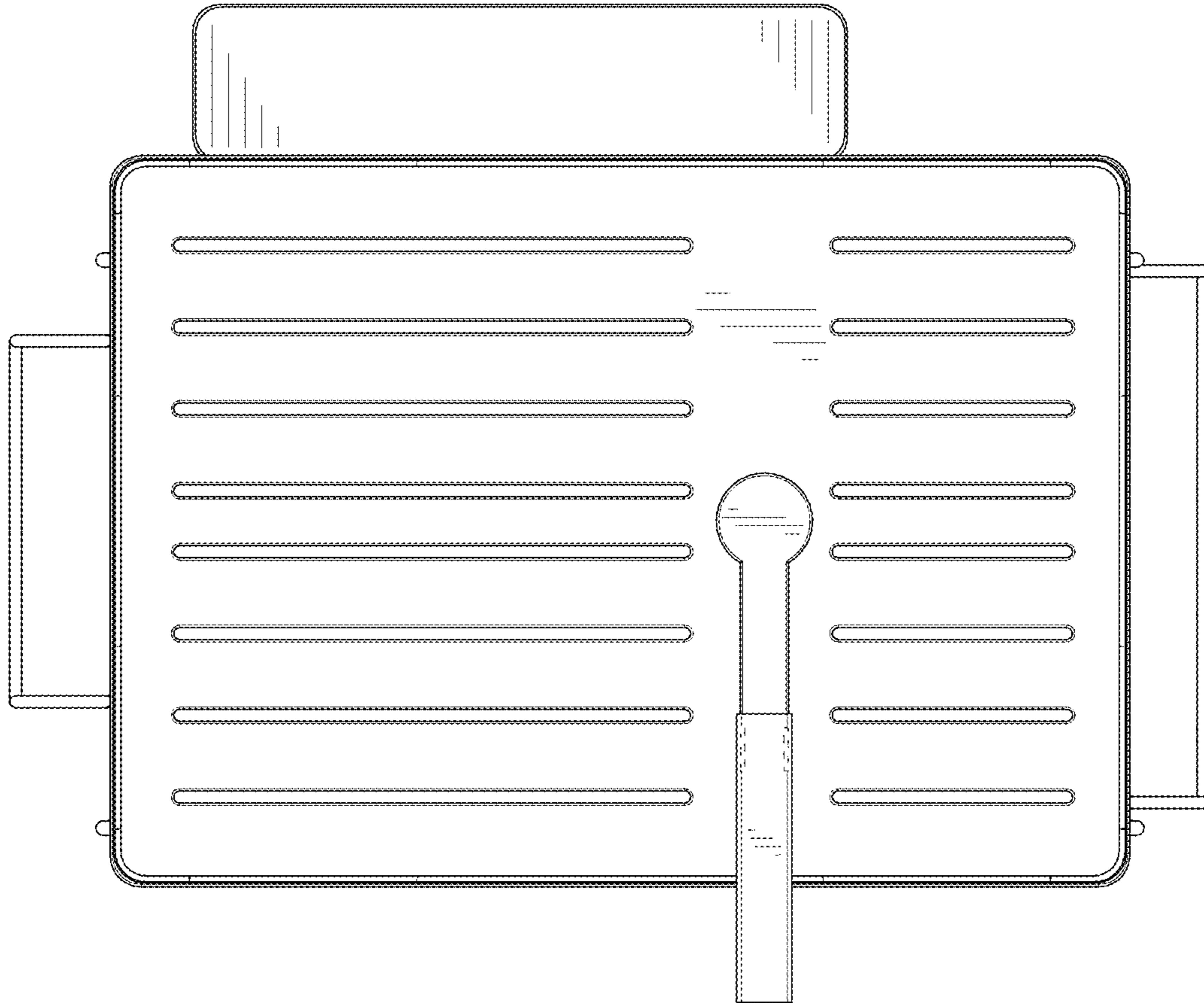


FIG. 8

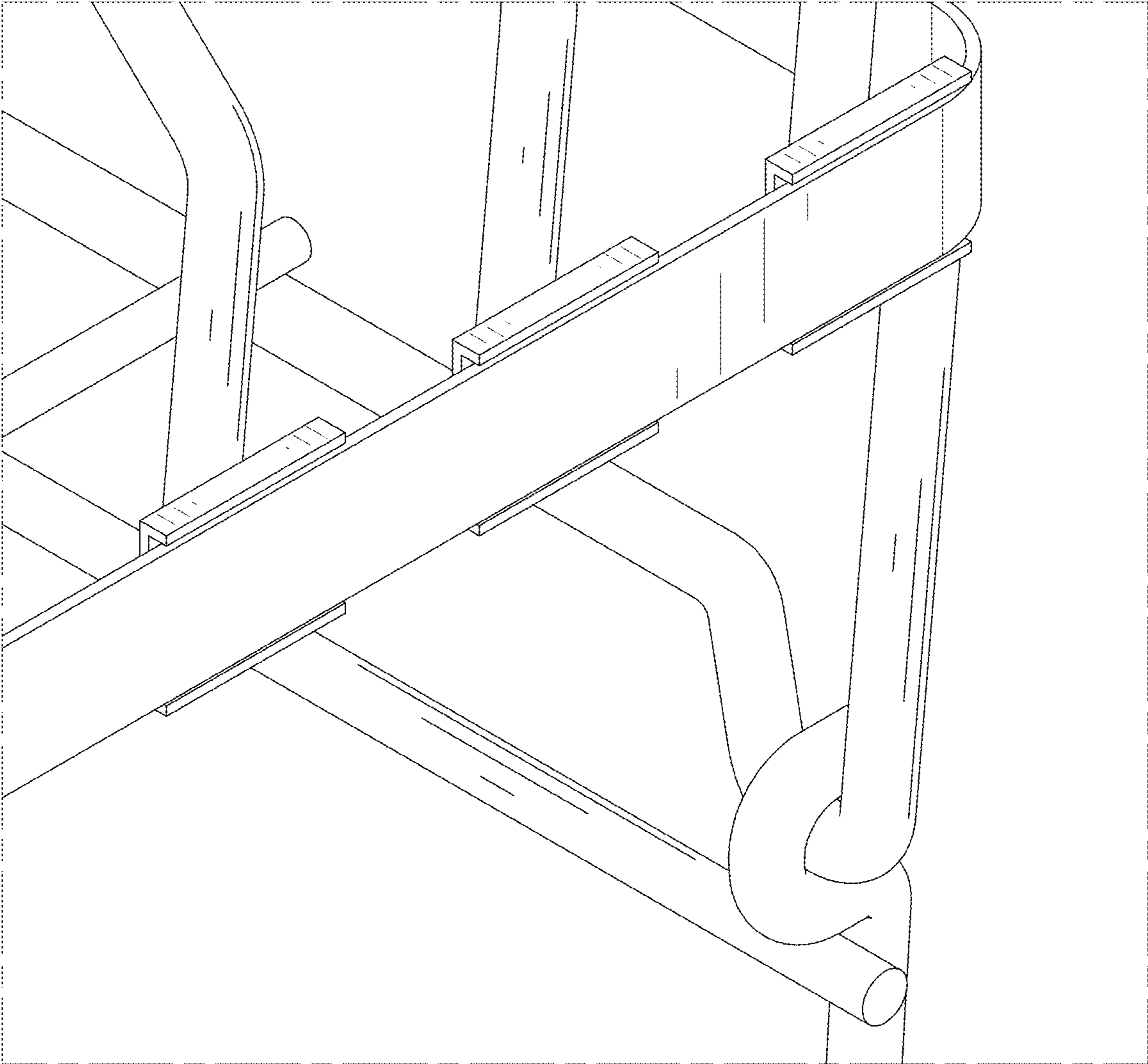


FIG. 9