



US00D984074S

(12) **United States Design Patent** (10) **Patent No.:** **US D984,074 S**  
**Swanson et al.** (45) **Date of Patent:** **\*\* Apr. 18, 2023**

(54) **PAINT PAIL**

(71) Applicant: **Marshalltown Company,**  
Marshalltown, IA (US)

(72) Inventors: **Ashley Swanson,** Ankeny, IA (US);  
**John Reynolds,** Rogers, AR (US);  
**John Hughes,** Fayetteville, AR (US);  
**Mark Fulmer,** Fayetteville, AR (US)

(73) Assignee: **Marshalltown Company,**  
Marshalltown, IA (US)

(\*\*) Term: **15 Years**

(21) Appl. No.: **29/753,867**

(22) Filed: **Oct. 2, 2020**

(51) **LOC (14) Cl.** ..... **07-05**

(52) **U.S. Cl.**  
USPC ..... **D32/53.1**

(58) **Field of Classification Search**  
USPC ..... D32/53, 53.1  
CPC .... B65D 25/2829; B44D 3/121; B44D 3/123;  
B44D 3/128; B44D 3/12; B44D 3/126;  
B44D 3/127  
See application file for complete search history.

(56) **References Cited**

**U.S. PATENT DOCUMENTS**

2,516,513 A \* 7/1950 Gall, Jr. .... G01F 19/002  
215/DIG. 5  
D282,108 S \* 1/1986 Losenno ..... D28/20  
D346,249 S \* 4/1994 Peltier, III ..... D32/53.1  
5,320,249 A \* 6/1994 Strech ..... A47G 23/0216  
220/771  
D458,723 S \* 6/2002 Malvasio ..... D32/53.1  
D460,845 S \* 7/2002 Bergman ..... D32/53.1  
6,708,838 B2 3/2004 Bergman et al.  
D493,035 S 7/2004 Bergman et al.  
6,991,829 B2 1/2006 Bergman

D581,118 S \* 11/2008 Bergman ..... D32/53.1  
D604,471 S \* 11/2009 Bergman ..... D32/53.1  
7,644,835 B2 1/2010 Bergman  
D627,119 S \* 11/2010 Bergman ..... D32/53.1  
8,550,285 B2 10/2013 Bergman et al.  
8,556,116 B2 10/2013 Bergman et al.  
D697,281 S \* 1/2014 Bergman ..... D32/53.1  
8,919,604 B2 12/2014 Bergman et al.  
9,409,200 B2 8/2016 Bergman et al.  
D783,917 S \* 4/2017 Gringer ..... D32/53.1  
D794,892 S \* 8/2017 Bergman ..... D32/53.1  
10,077,138 B2 \* 9/2018 Albrecht ..... B65D 25/2888  
10,266,306 B2 4/2019 Bergman  
D867,708 S \* 11/2019 Bergman ..... D32/53.1  
D940,985 S \* 1/2022 Bergman ..... D32/53.1  
2002/0036206 A1 \* 3/2002 Bergman ..... B65D 25/2802  
220/754

(Continued)

**FOREIGN PATENT DOCUMENTS**

CA 2422885 C 1/2010  
CA 2690049 C 11/2012

(Continued)

*Primary Examiner* — Kevin K Rudzinski  
*Assistant Examiner* — Richard E Yenchesky  
(74) *Attorney, Agent, or Firm* — Stinson LLP

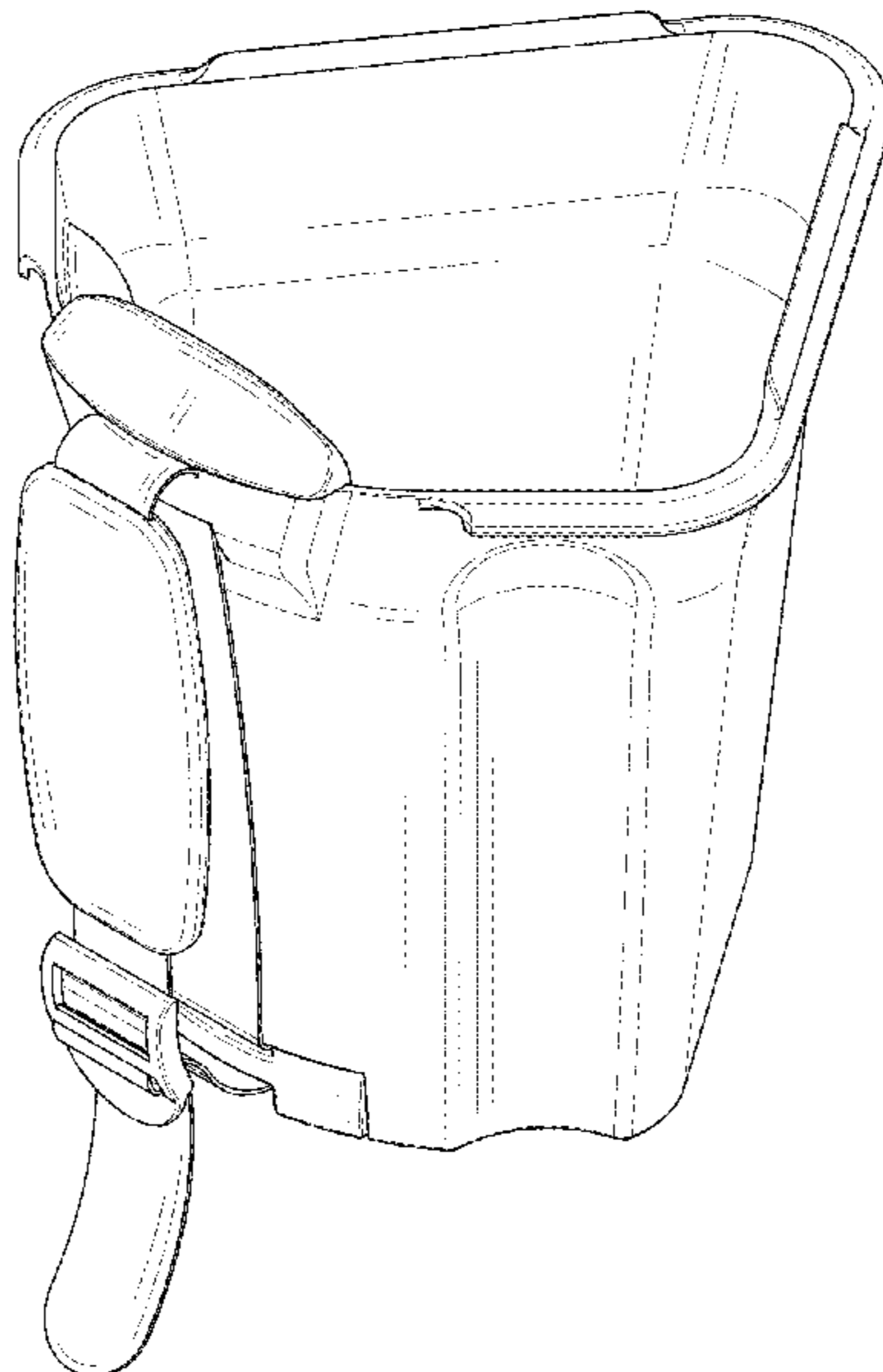
(57) **CLAIM**

The ornamental design for a paint pail, as shown and described.

**DESCRIPTION**

FIG. 1 is a perspective of a paint pail;  
FIG. 2 is a front elevational view of the paint pail;  
FIG. 3 is a top plan view of the paint pail;  
FIG. 4 is a right elevational view of the paint pail;  
FIG. 5 is a rear elevational view of the paint pail;  
FIG. 6 is a bottom plan view of the paint pail; and,  
FIG. 7 is a left elevational view of the paint pail.

**1 Claim, 7 Drawing Sheets**



(56)

**References Cited**

U.S. PATENT DOCUMENTS

2004/0118861 A1\* 6/2004 Bergman ..... B65D 25/2829  
220/756  
2005/0161462 A1\* 7/2005 Bergman ..... B05C 11/10  
220/756  
2006/0071010 A1\* 4/2006 Byrne ..... B44D 3/14  
220/754  
2006/0243732 A1\* 11/2006 Bergman ..... B44D 3/126  
220/757  
2007/0012705 A1\* 1/2007 Bergman ..... B65D 25/282  
220/696  
2007/0295768 A1\* 12/2007 Gringer ..... B65D 25/2829  
222/570  
2018/0043732 A1\* 2/2018 Gringer ..... B44D 3/121  
2022/0089328 A1\* 3/2022 Kisch ..... B44D 3/121

FOREIGN PATENT DOCUMENTS

CA 2938278 A1\* 2/2017 ..... B44D 3/14  
EP 1332095 B1 3/2007  
GB 6126943 \* 3/2021

\* cited by examiner

FIG. 1

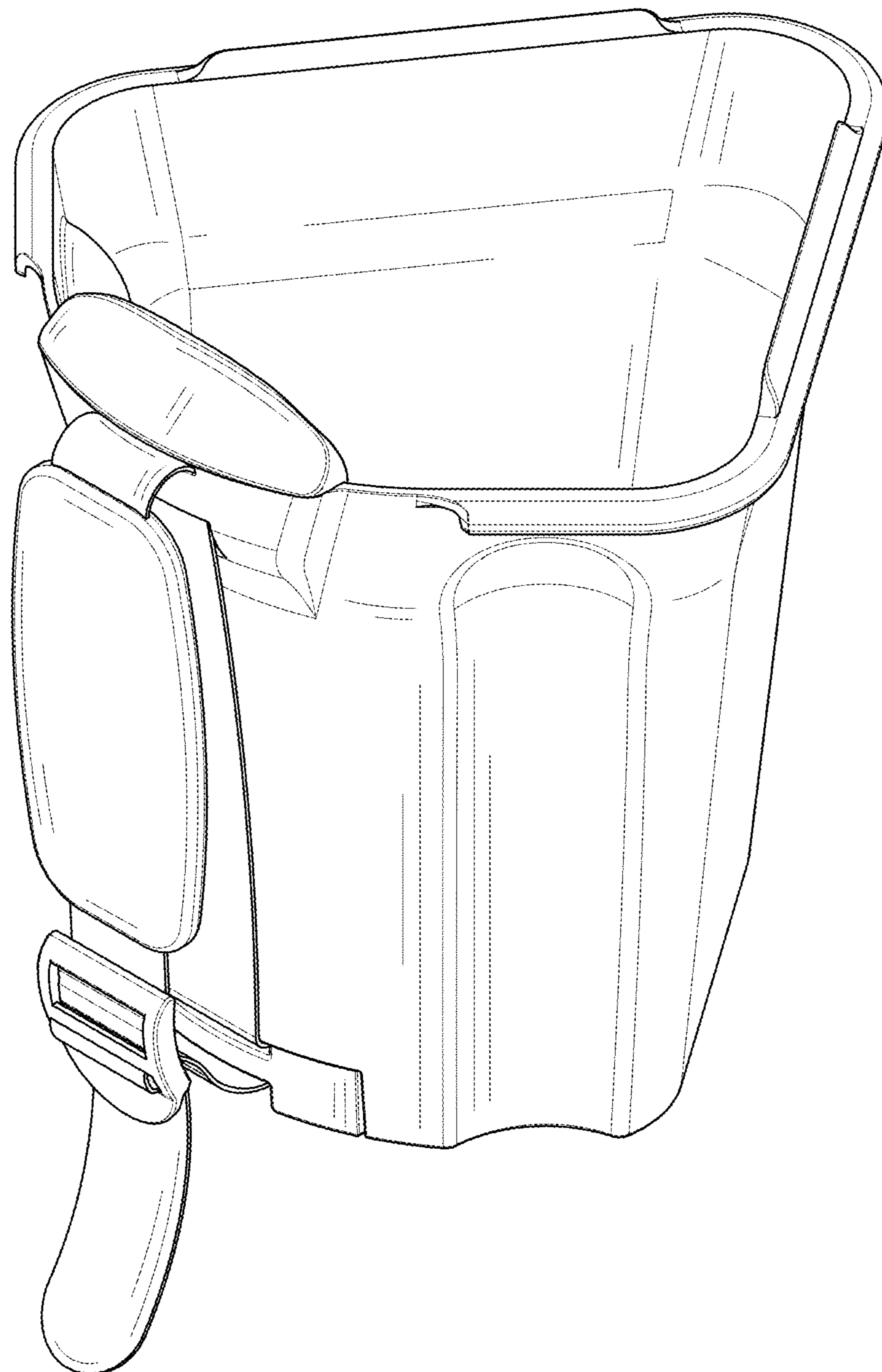


FIG. 2

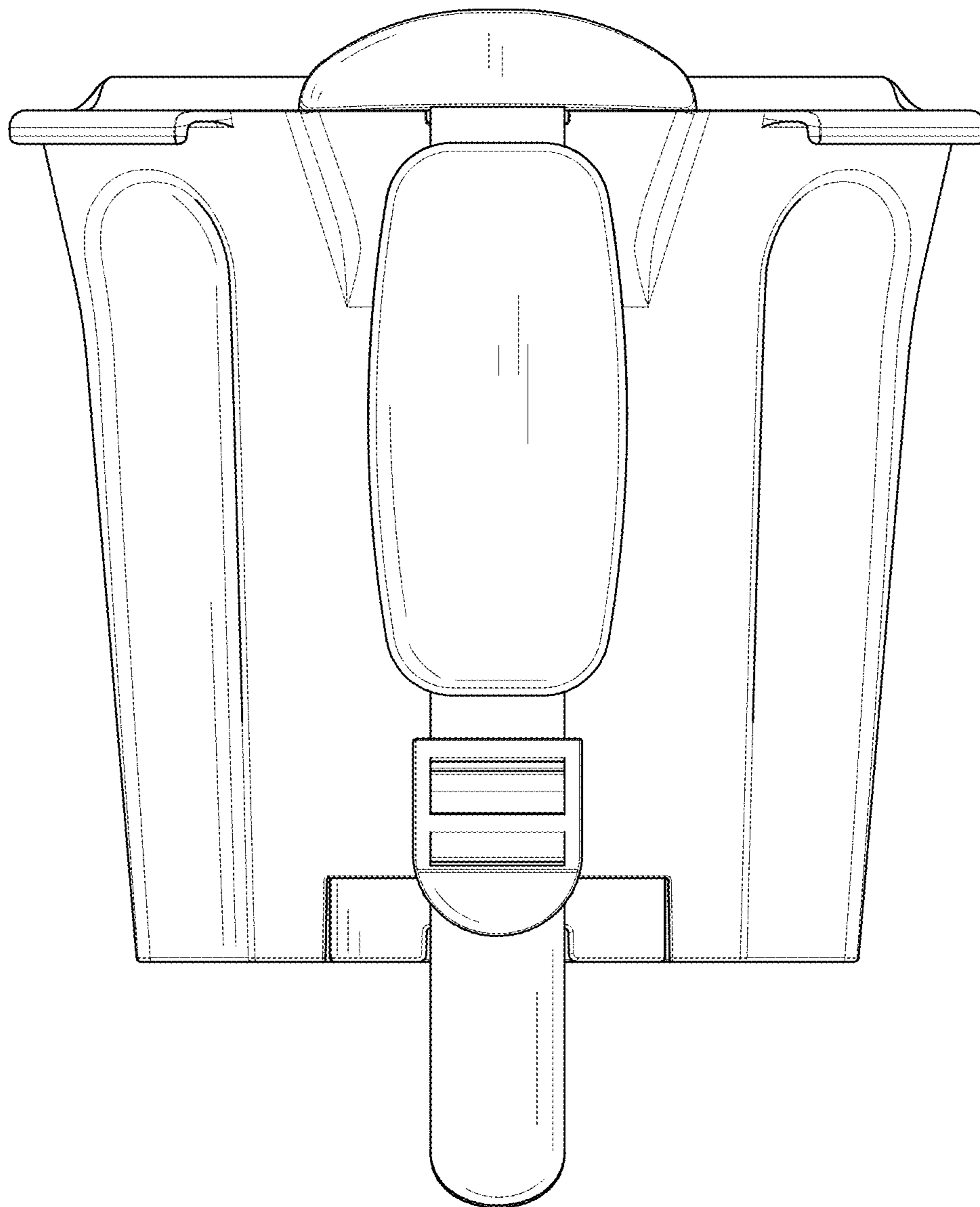


FIG. 3

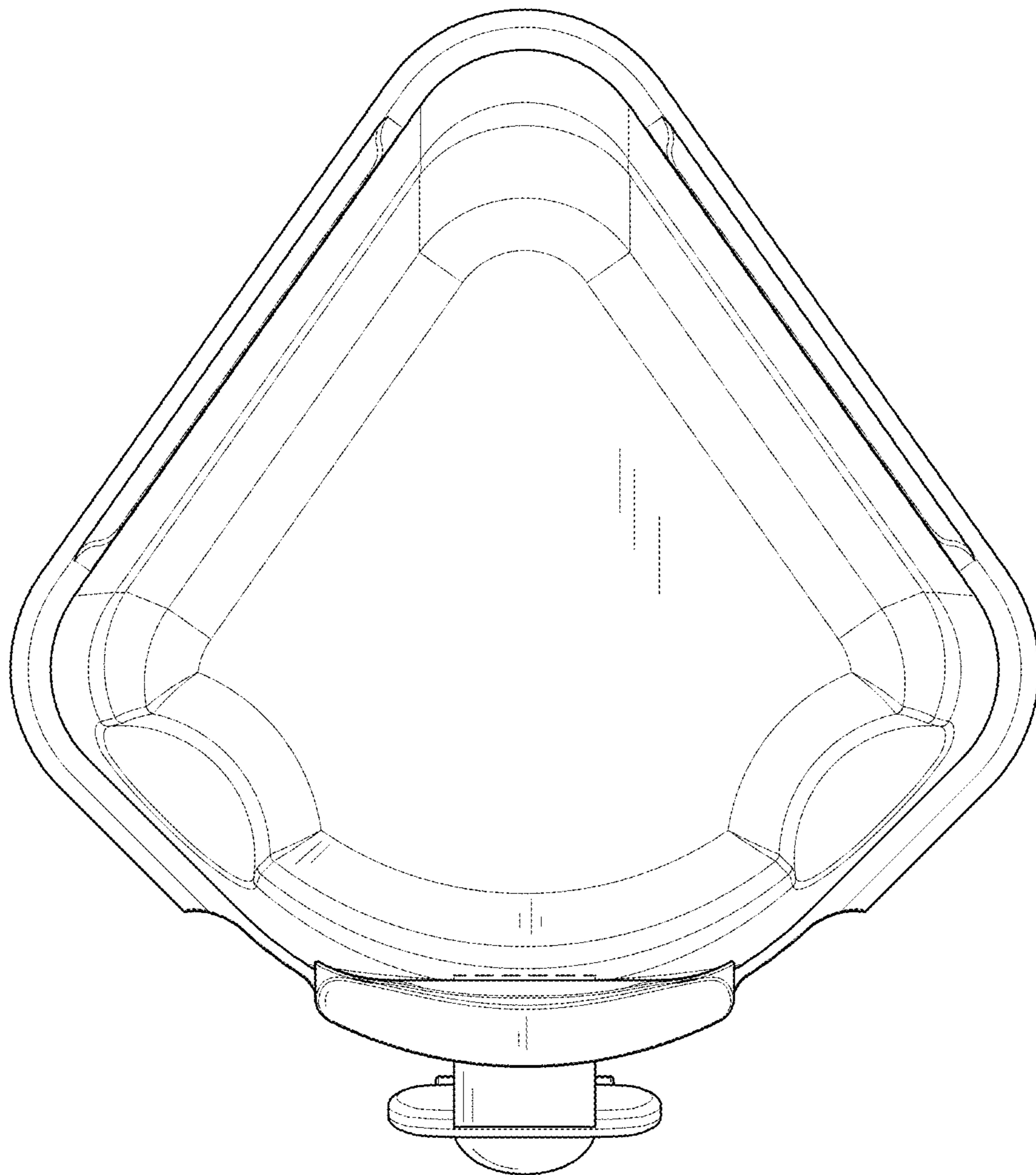


FIG. 4

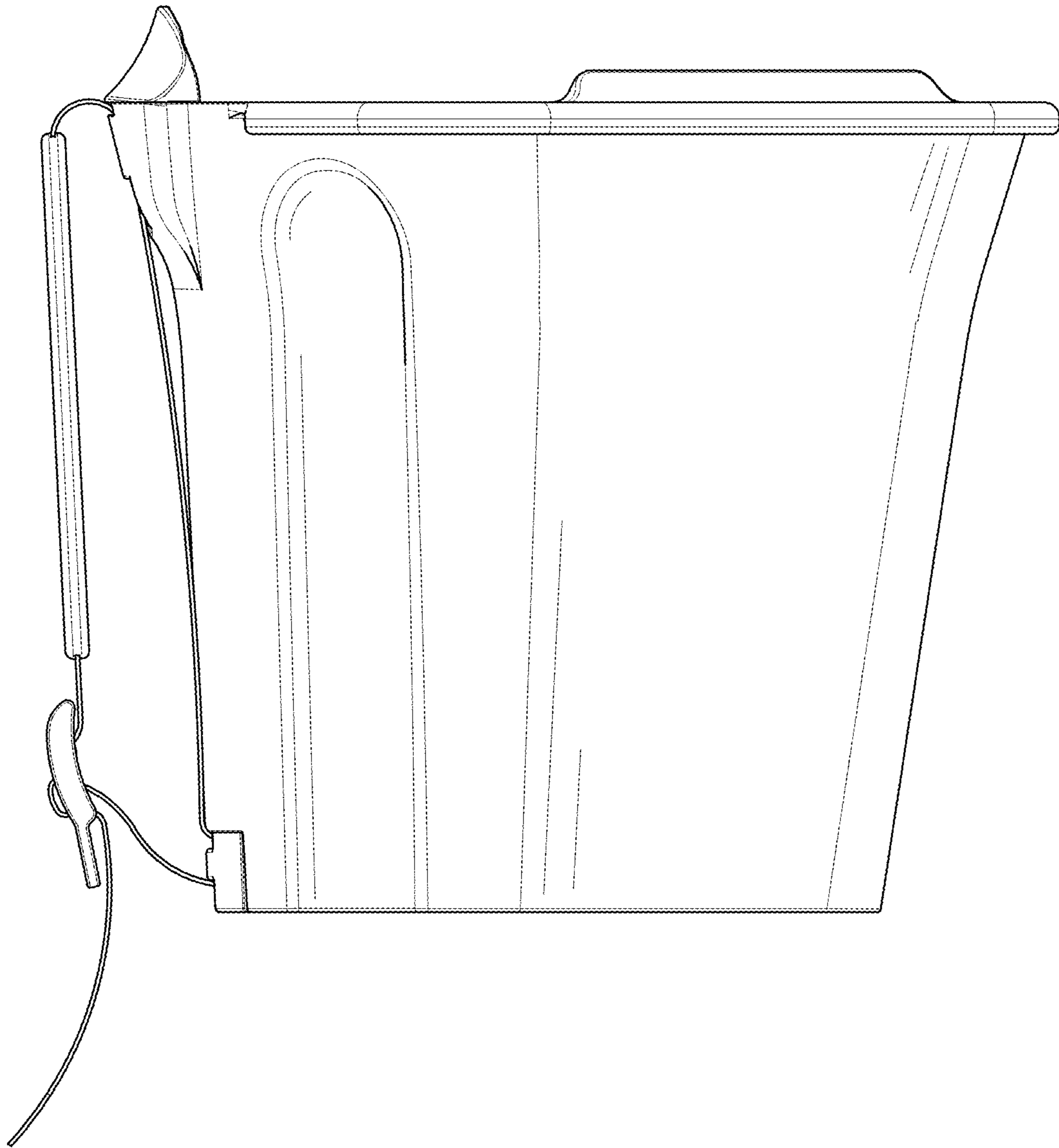


FIG. 5

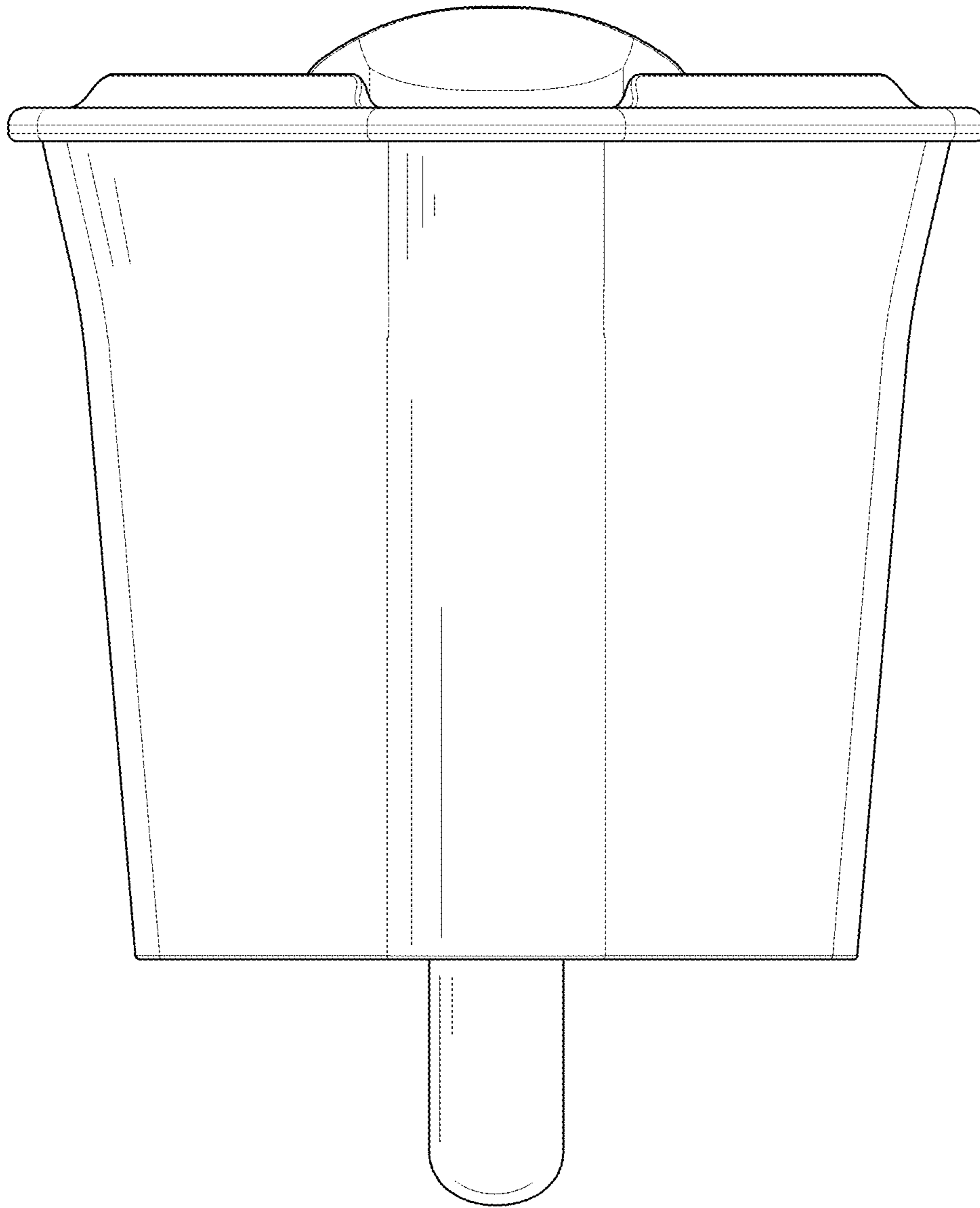


FIG. 6

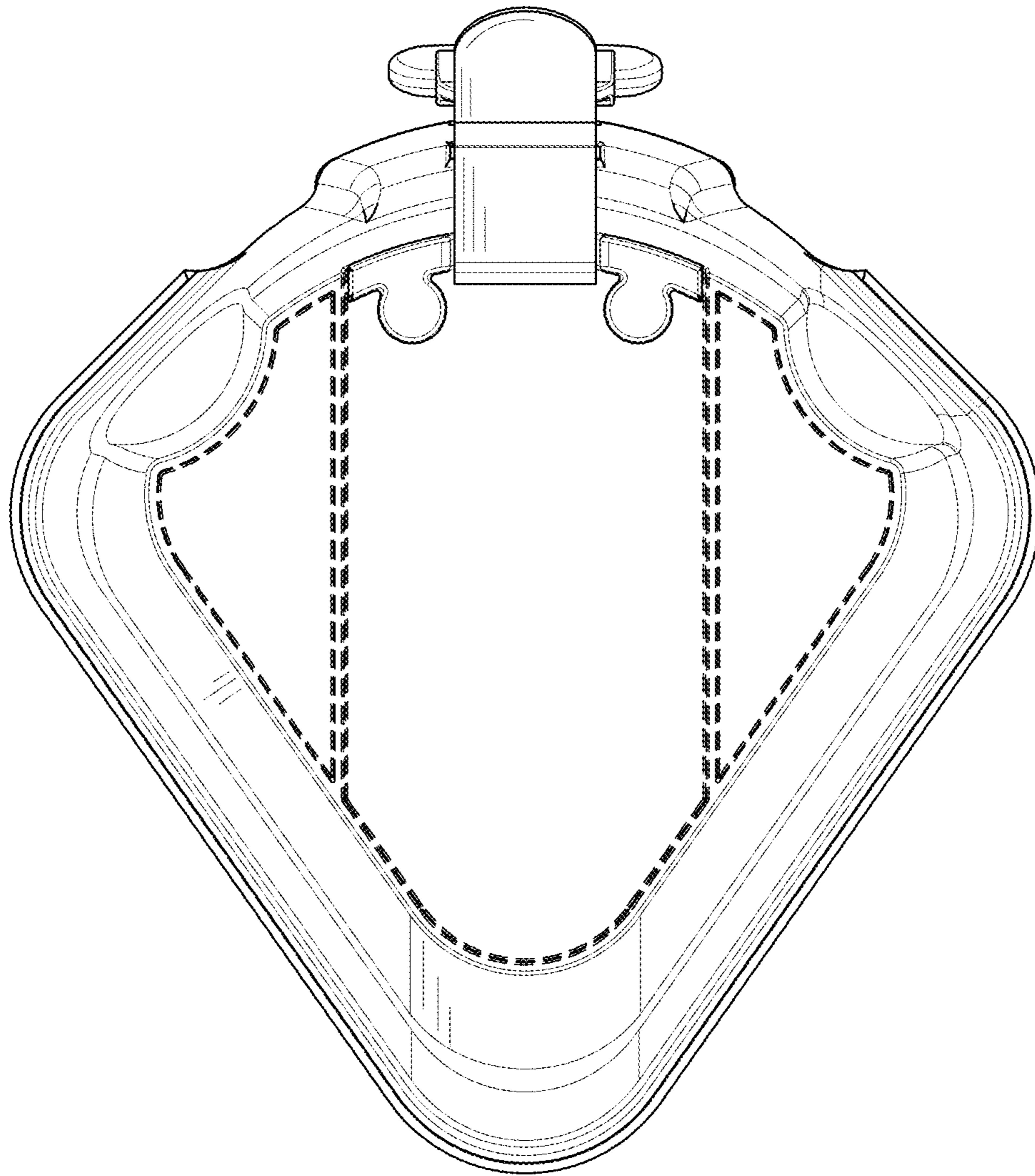




FIG. 7

