



US00D984073S

(12) **United States Design Patent**
Schmidt

(10) **Patent No.:** **US D984,073 S**

(45) **Date of Patent:** **** Apr. 18, 2023**

(54) **HANDLE**

(71) Applicant: **Vikan A/S**, Skive (DK)

(72) Inventor: **Sune Schmidt**, Skive (DK)

(73) Assignee: **Vikan A/S**

(**) Term: **15 Years**

(21) Appl. No.: **29/781,084**

(22) Filed: **Apr. 28, 2021**

(51) **LOC (14) Cl.** **07-05**

(52) **U.S. Cl.**
USPC **D32/52**

(58) **Field of Classification Search**
USPC D32/52, 50, 54, 51, 40, 42, 44, 35, 49,
D32/72; D4/138, 199; D7/642, 645,
D7/393, 395, 648; D8/300, 107, 202, 83,
D8/312, 80, 81
CPC Y10T 16/469; A46B 17/02; A46B 5/02
See application file for complete search history.

(56) **References Cited**

U.S. PATENT DOCUMENTS

968,518	A *	8/1910	Post	A46B 5/02
					15/143.1
D273,359	S *	4/1984	Kolonia	D8/80
D438,354	S *	2/2001	Cann	D32/35
D457,798	S *	5/2002	Toft	D8/107
D519,820	S *	5/2006	Newman	D8/107
7,568,255	B1 *	8/2009	Krebs	C09K 5/063
					15/228
D644,907	S *	9/2011	Blanchard	D8/107
D644,908	S *	9/2011	Blanchard	D8/107
D658,961	S *	5/2012	Islas	D8/80
D660,123	S *	5/2012	Islas	D8/80
8,641,309	B2 *	2/2014	Perry	A47L 13/26
					401/268
D789,637	S *	6/2017	Dobson, III	D32/51
D908,297	S *	1/2021	Carrière	D32/35

(Continued)

FOREIGN PATENT DOCUMENTS

CN 202553823 U * 11/2012
CN 102813490 A * 12/2012

(Continued)

OTHER PUBLICATIONS

Replacement handle, posted Jan. 15, 2020 [online], [retrieved Jan. 26, 2023]. Retrieved from internet, https://www.amazon.com/Cedar-Replacement-Handle-47-5-inches/dp/B083WNP7FT/ref=sxin_15_pa_sp_search_thematic_sspa?content-id=amzn1.sym.14a246c3-7a62-40bf-bdd0-5ac67c2a1913%3Aamzn1.Sym.14a246c3-7a62-40bf-bdd0-5ac6 (Year: 2020).*

(Continued)

Primary Examiner — Khawaja Anwar

Assistant Examiner — Taylor O Mortorff

(74) *Attorney, Agent, or Firm* — Crowell & Moring LLP

(57) **CLAIM**

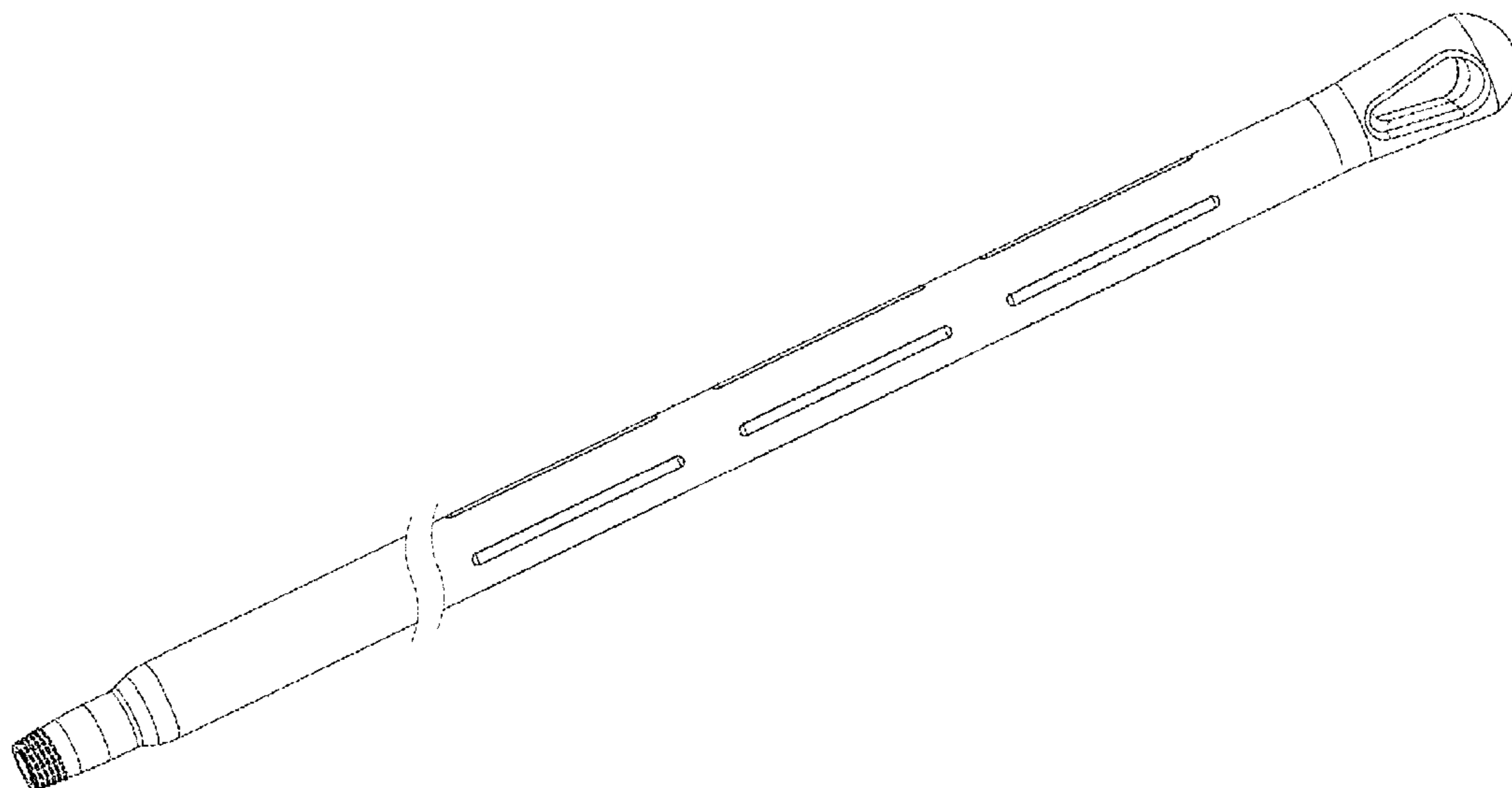
I claim the ornamental design for a handle, as shown and described.

DESCRIPTION

FIG. 1 is a front left perspective view of a handle; FIG. 2 is a front elevation view thereof, which is the same as a rear elevation view thereof; FIG. 3 is a left side elevation view thereof, which is the same as a right side elevation view thereof; FIG. 4 is a bottom rear left perspective view thereof; and, FIG. 5 is a top front right perspective view thereof.

Uniform broken lines show environmental structure that forms no part of the presently claimed design, while the broken lines of symbolic break illustrate that the marked items can vary dimensionally along the interrupted longitudinal axis within the scope of the presently claimed design and the portion of the design between those symbolic break lines forms no part of the claimed design.

1 Claim, 5 Drawing Sheets



(56)

References Cited

U.S. PATENT DOCUMENTS

2002/0184725 A1* 12/2002 Vosbikian B25G 3/30
15/145
2016/0113382 A1* 4/2016 Sampaio A46B 17/08
15/104.8

FOREIGN PATENT DOCUMENTS

CN 202843530 U * 4/2013
CN 207477461 U * 6/2018
CN 211408915 U * 9/2020
CN 112120622 A * 12/2020 A47L 13/50
CN 212630686 U * 3/2021

OTHER PUBLICATIONS

Broom handle, posted Dec. 1, 2014 [online], [retrieved Jan. 26, 2023]. Retrieved from internet, https://www.amazon.co.uk/Addis-Indoor-Outdoor-Handle-Hanging/dp/B00QGR9NEA/ref=sr_1_7?crid=24VDH710IAKXA&keywords=broom%2Bhandle&qid=1674742339&prefix=broom%2Bhandle%2Caps%2C246&sr=8-7&th=1 (Year: 2014).*

Viking handle, posted Jul. 30, 2020 [online], [retrieved Jan. 26, 2023]. Retrieved from internet, https://www.amazon.sg/%E3%82%AD%E3%83%A7%E3%83%BC%E3%83%AF%E3%82%AF%E3%83%AA%E3%83%BC%E3%83%B3-29664-Viking-Handle-2966/dp/B08CF4CY97/ref=sr_1_37?crid=2HNO186PACZS6&keywords=Handle&qid=1674738896&prefix= (Year: 2020).*

* cited by examiner

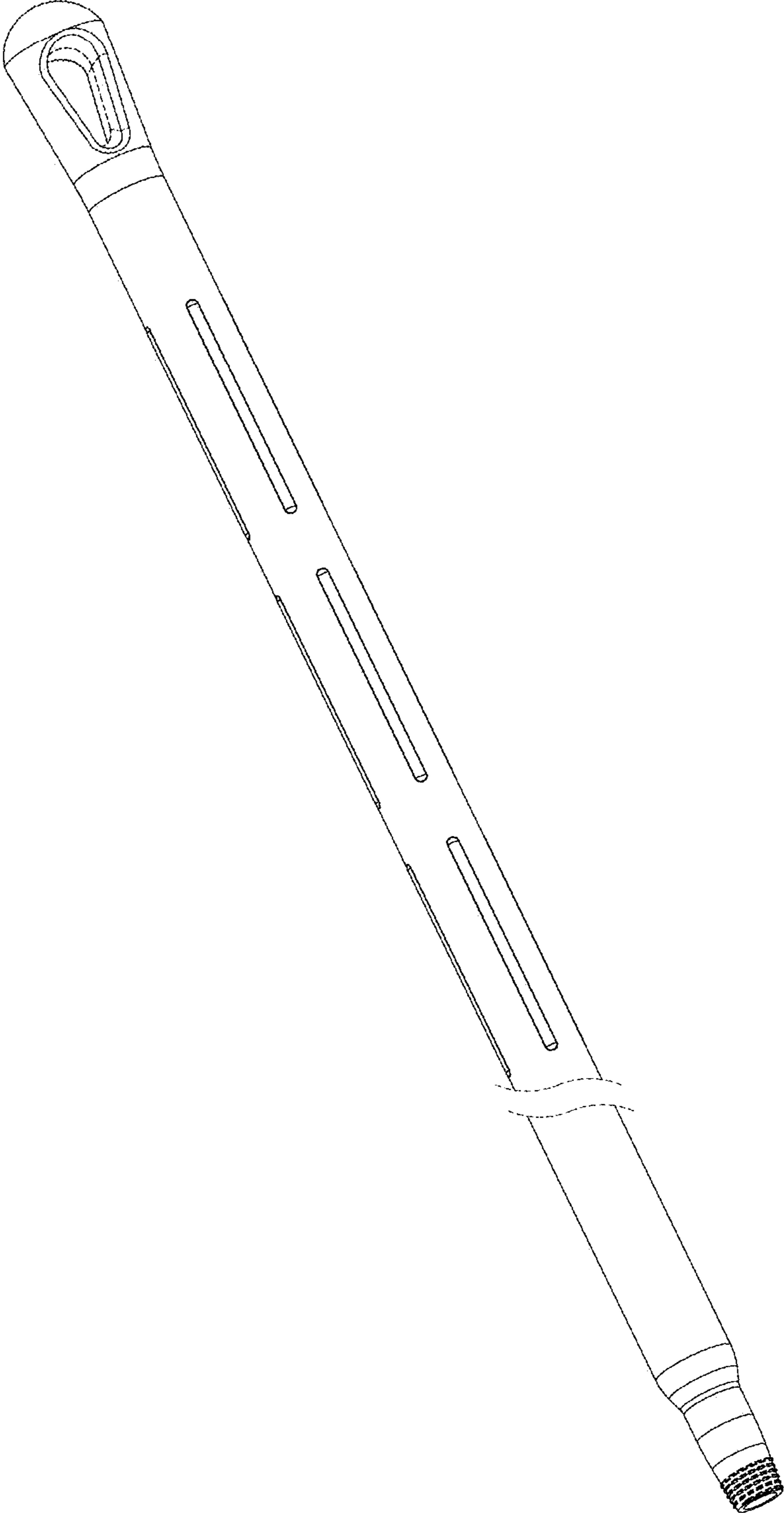


FIG. 1

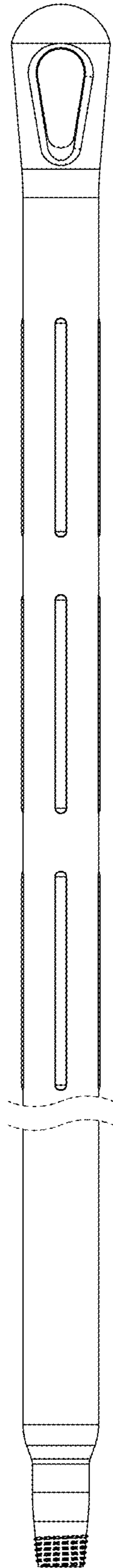


FIG. 2

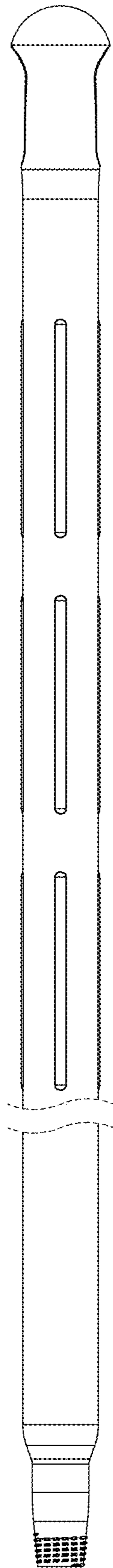


FIG. 3

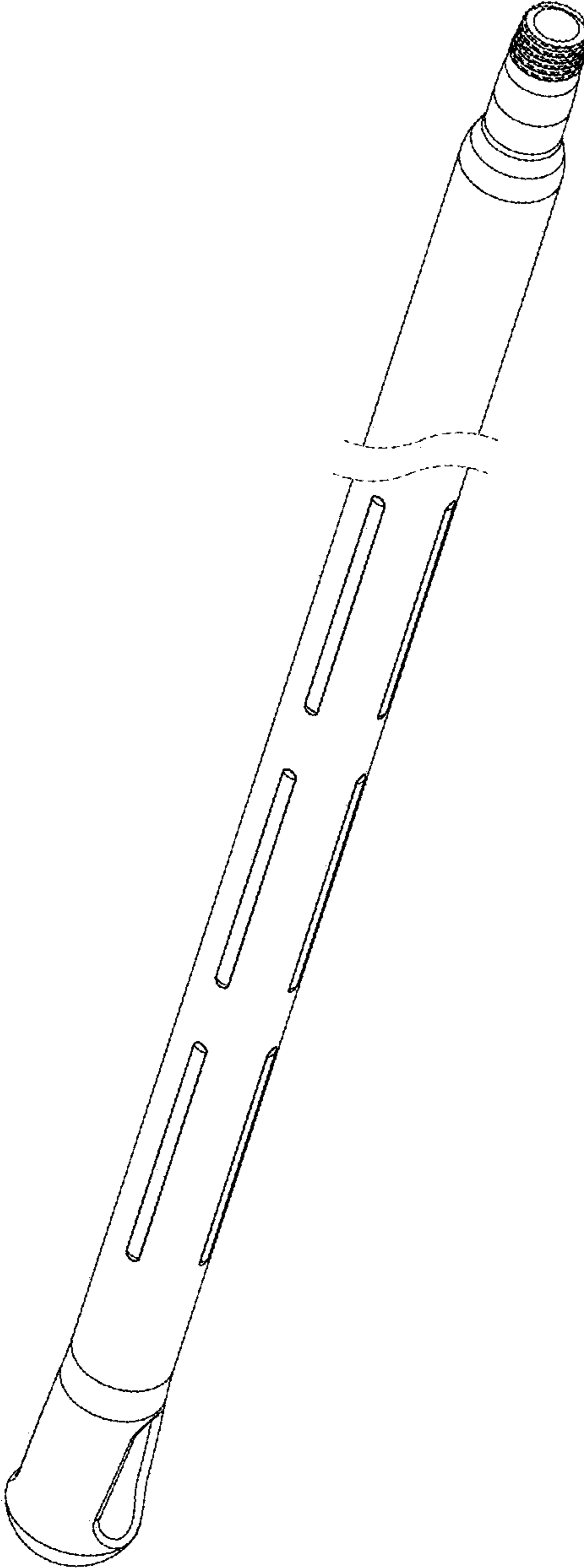


FIG. 4

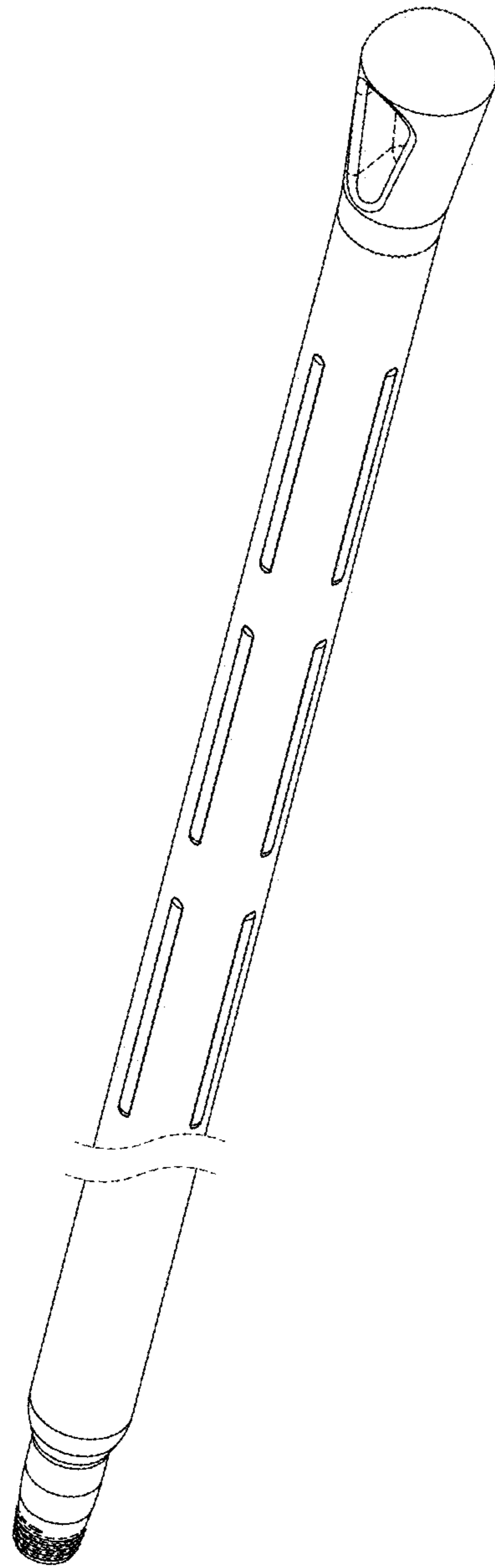


FIG. 5