



US00D984072S

(12) **United States Design Patent**
Bloemendaal

(10) **Patent No.:** **US D984,072 S**
(45) **Date of Patent:** **** Apr. 18, 2023**

- (54) **PORTABLE CARPET CLEANER**
- (71) Applicant: **BISSELL Inc.**, Grand Rapids, MI (US)
- (72) Inventor: **Colin J. Bloemendaal**, Grand Rapids, MI (US)
- (73) Assignee: **BISSELL Inc.**, Grand Rapids, MI (US)
- (**) Term: **15 Years**

D848,093	S	*	5/2019	Buckley	D32/18
10,624,515	B2	*	4/2020	Bloemendaal	A47L 11/4075
D937,511	S	*	11/2021	Standaloft	D32/18
D937,512	S	*	11/2021	Standaloft	D32/18
11,229,338	B2	*	1/2022	Royale	A47L 11/408
2022/0257071	A1	*	8/2022	Zheng	A47L 7/0038

- (21) Appl. No.: **29/795,972**
- (22) Filed: **Jun. 22, 2021**
- (51) **LOC (14) Cl.** **15-05**
- (52) **U.S. Cl.**
USPC **D32/17**
- (58) **Field of Classification Search**
USPC D32/15-25, 30-34
CPC ... A47L 5/24; A47L 5/26; A47L 5/367; A47L
7/0076; A47L 7/008; A47L 9/2857; A47L
9/32; A47L 9/322; A47L 9/1608; A47L
7/0004; A47L 7/0009; A47L 11/34
See application file for complete search history.

FOREIGN PATENT DOCUMENTS

JP	2021087780	A	6/2021
KR	301169000.0000	*	6/2022

OTHER PUBLICATIONS

Bissell Pet Stain Eraser PowerBrush (on-line), dated Nov. 28, 2020. Retrieved from Internet Dec. 6, 2022, URL: <https://www.amazon.com/Bissell-Stain-Eraser-PowerBrush-2837/dp/B08HDKZKHK?th=1> (1 page) (Year: 2020).*

* cited by examiner

Primary Examiner — Kimberly Barnes
(74) *Attorney, Agent, or Firm* — Warner Norcross + Judd LLP

(56) **References Cited**

U.S. PATENT DOCUMENTS

D290,893	S	*	7/1987	Essex	D32/18
D294,412	S	*	2/1988	Sadashima	D32/18
D307,657	S	*	5/1990	Li	D32/18
D313,831	S	*	1/1991	Gildersleeve	D32/18
D315,622	S	*	3/1991	deBlois	D32/18
D376,228	S	*	12/1996	Bass	D32/18
6,031,969	A	*	2/2000	Burr	A47L 1/08 392/404
6,347,428	B1	*	2/2002	Shimko	A47L 11/4044 15/387
6,968,593	B1	*	11/2005	Lenkiewicz	A47L 7/0009 15/384
D541,495	S	*	4/2007	DiPasquale	D32/18
D608,063	S	*	1/2010	Okuda	D32/18
D608,511	S	*	1/2010	Okuda	D32/18
D720,101	S	*	12/2014	Erlich	D32/18
D825,869	S	*	8/2018	Bloemendaal	D32/18

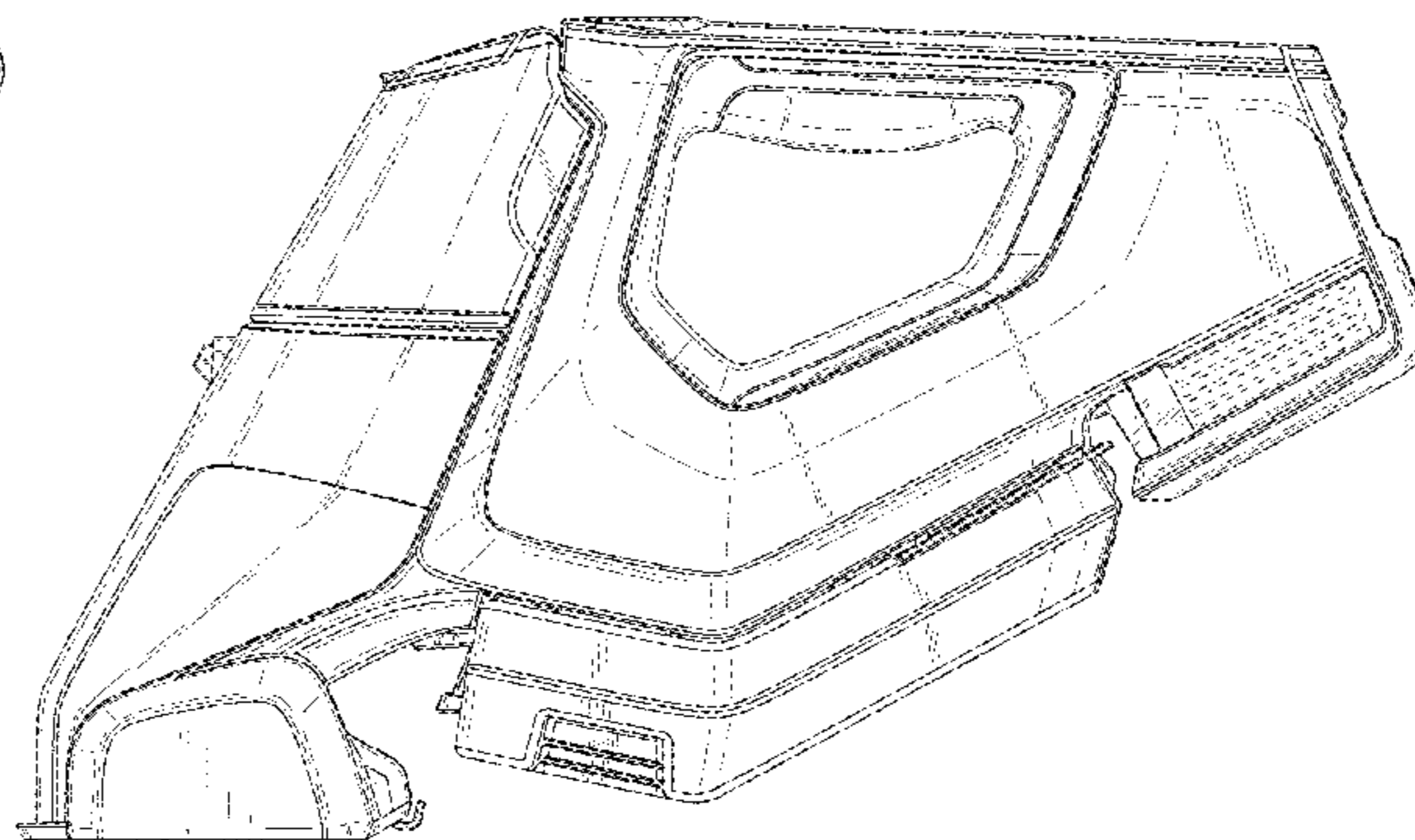
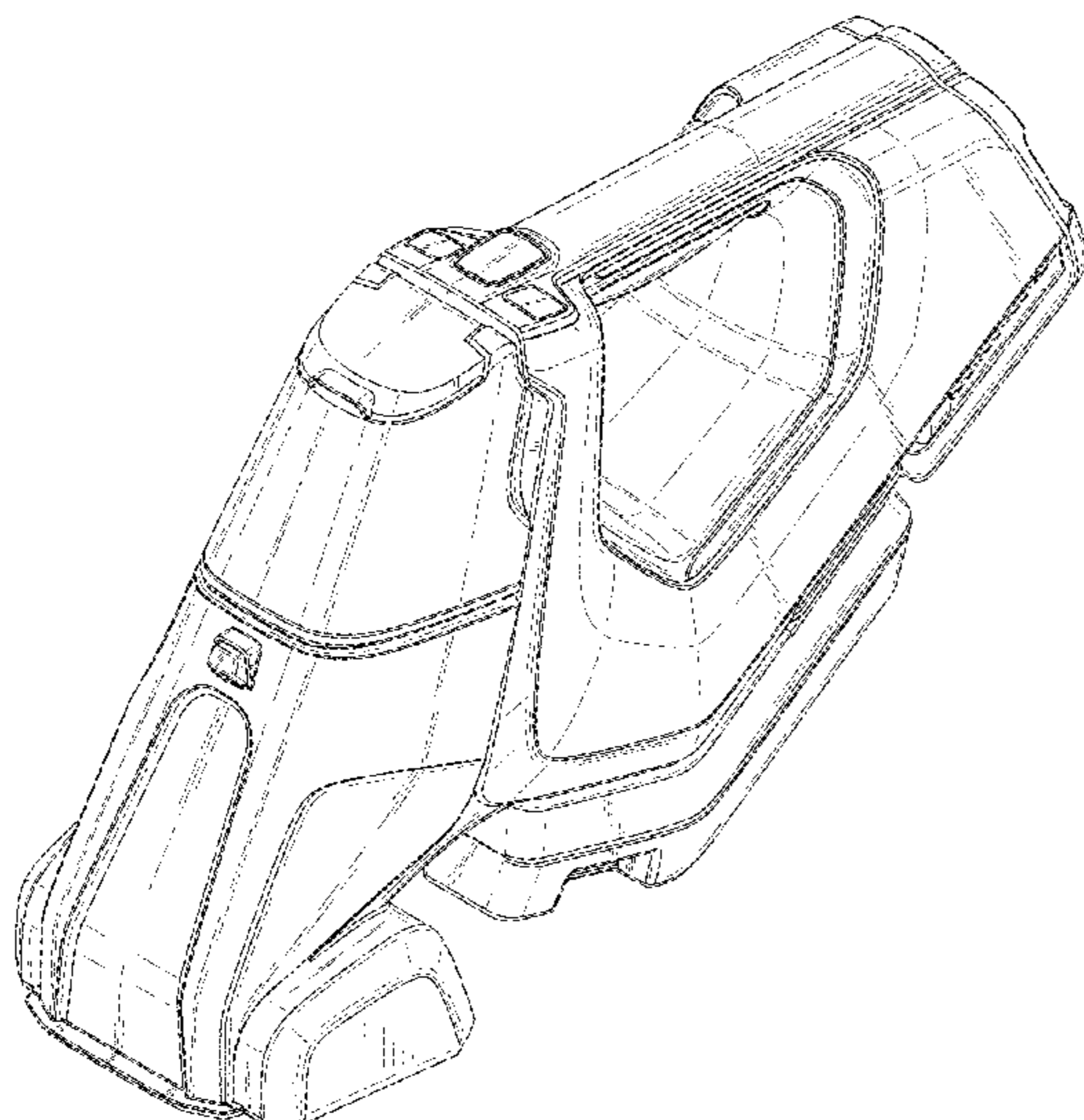
(57) **CLAIM**

The ornamental design for a portable carpet cleaner, as shown and described.

DESCRIPTION

FIG. 1 is a front perspective view of a portable carpet cleaner showing my new design;
FIG. 2 is a front view thereof;
FIG. 3 is a rear view thereof;
FIG. 4 is a left side view thereof;
FIG. 5 is a right side view thereof;
FIG. 6 is a top view thereof; and,
FIG. 7 is a bottom view thereof.
The details shown in broken lines depict portions of the portable carpet cleaner that form no part of the claimed design.

1 Claim, 7 Drawing Sheets



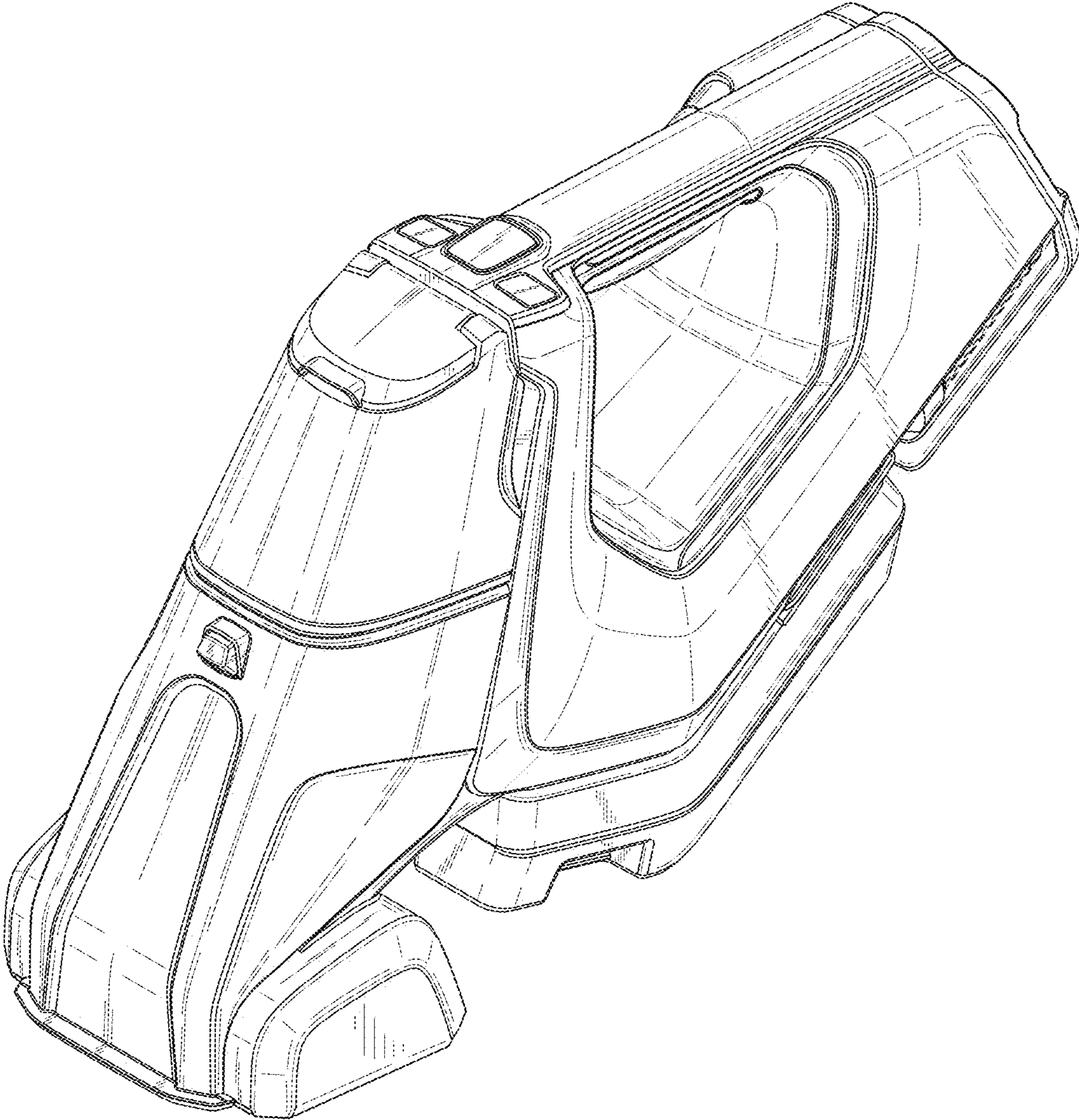


FIG. 1

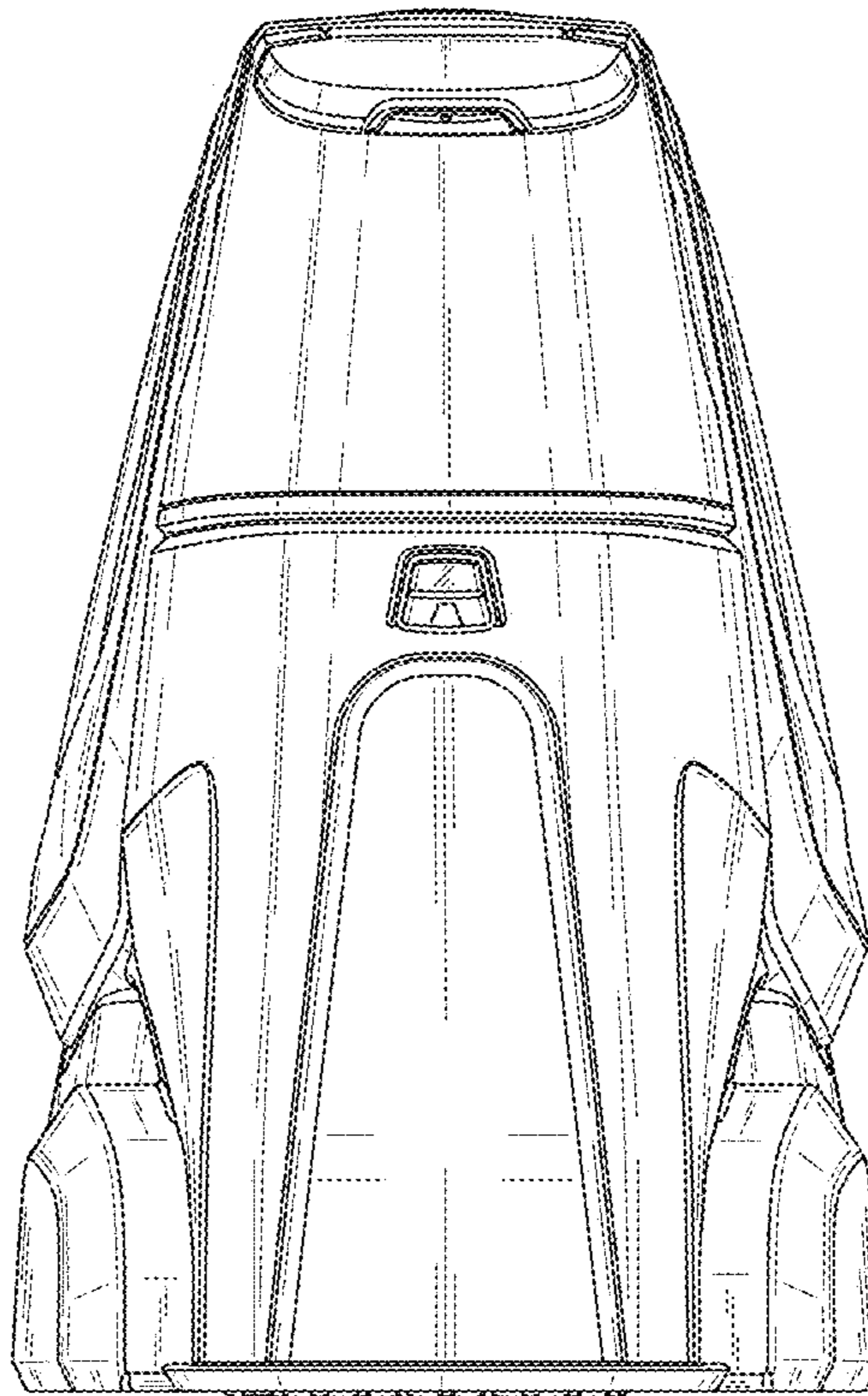


FIG. 2

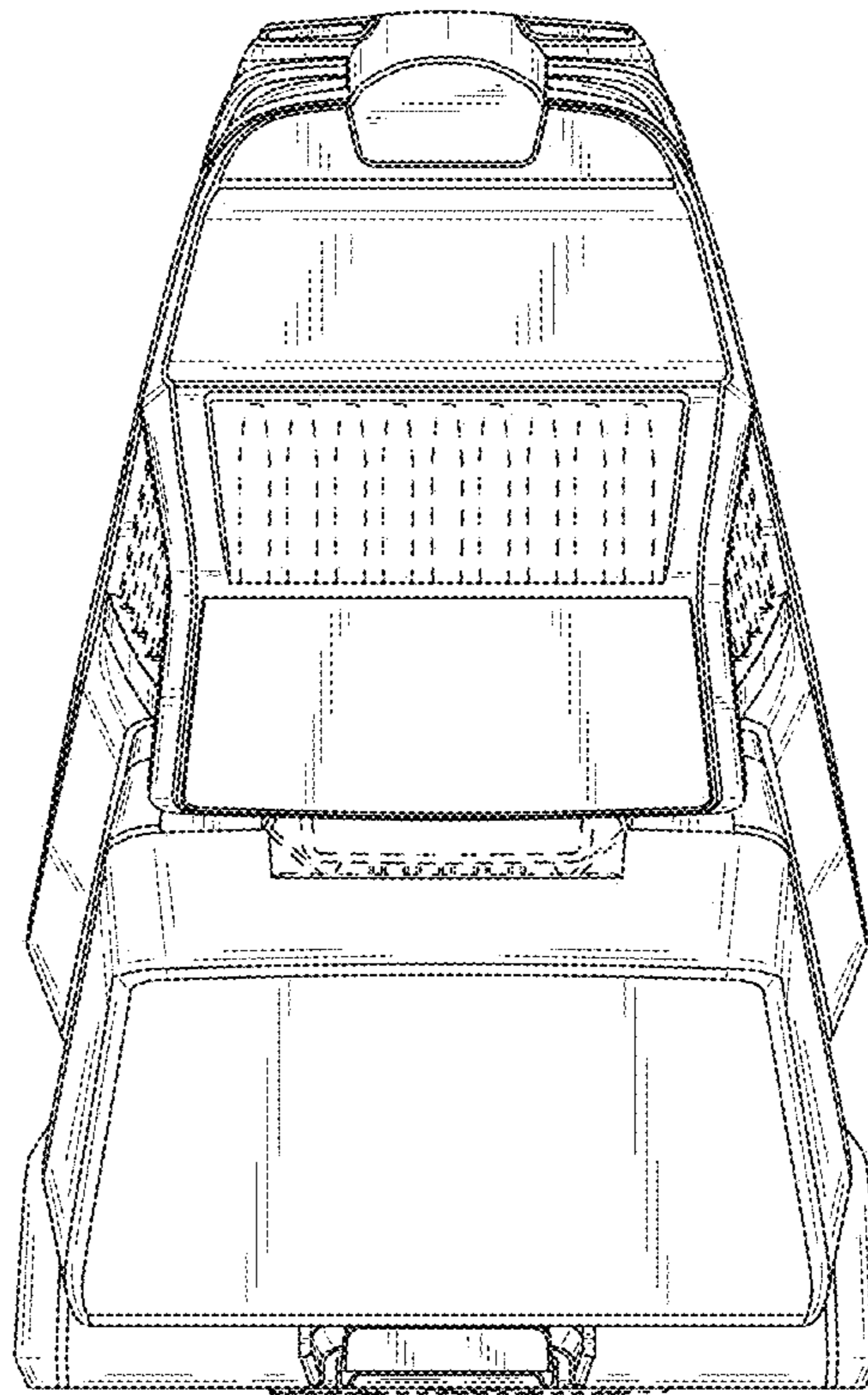


FIG. 3

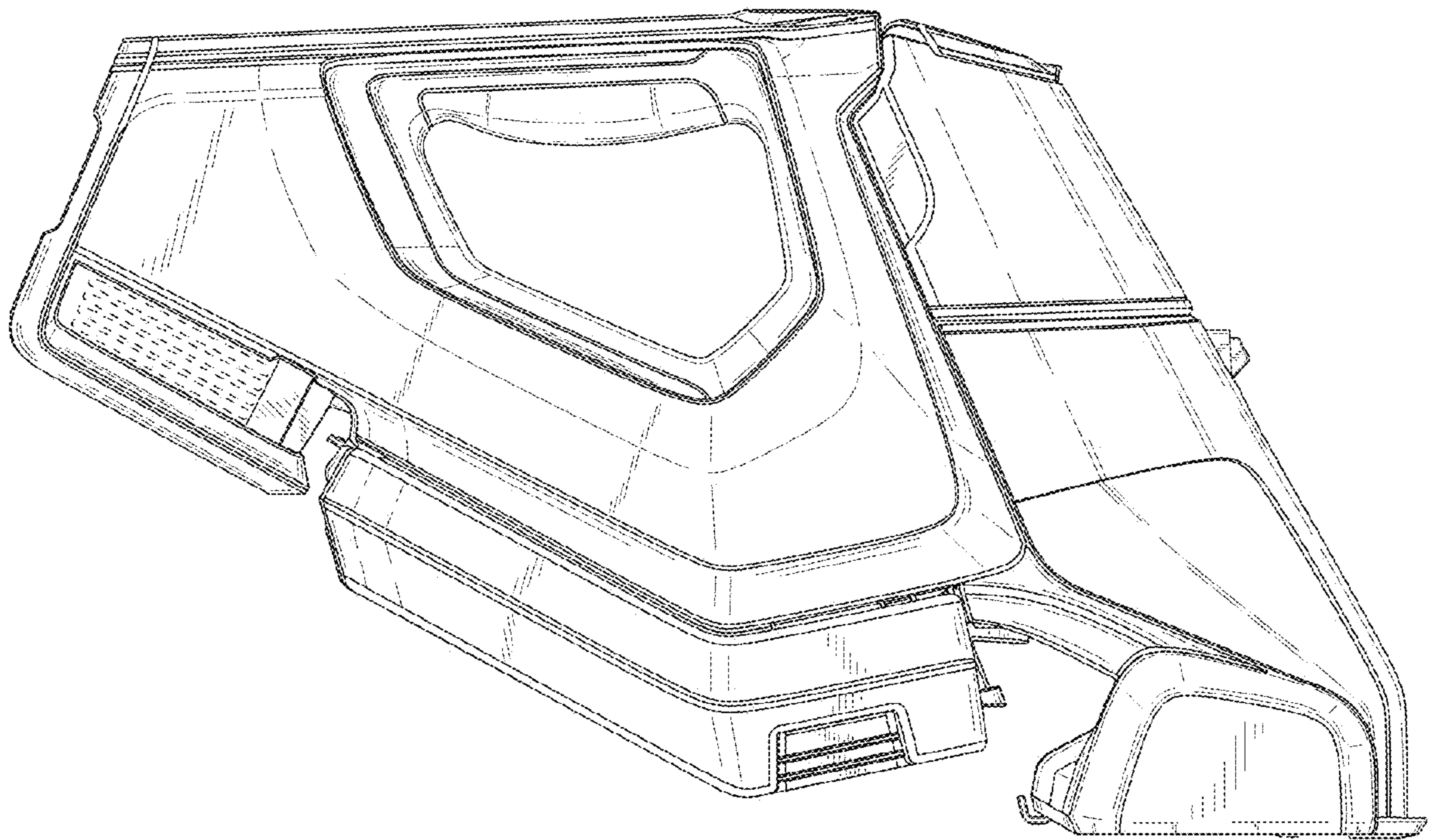


FIG. 4

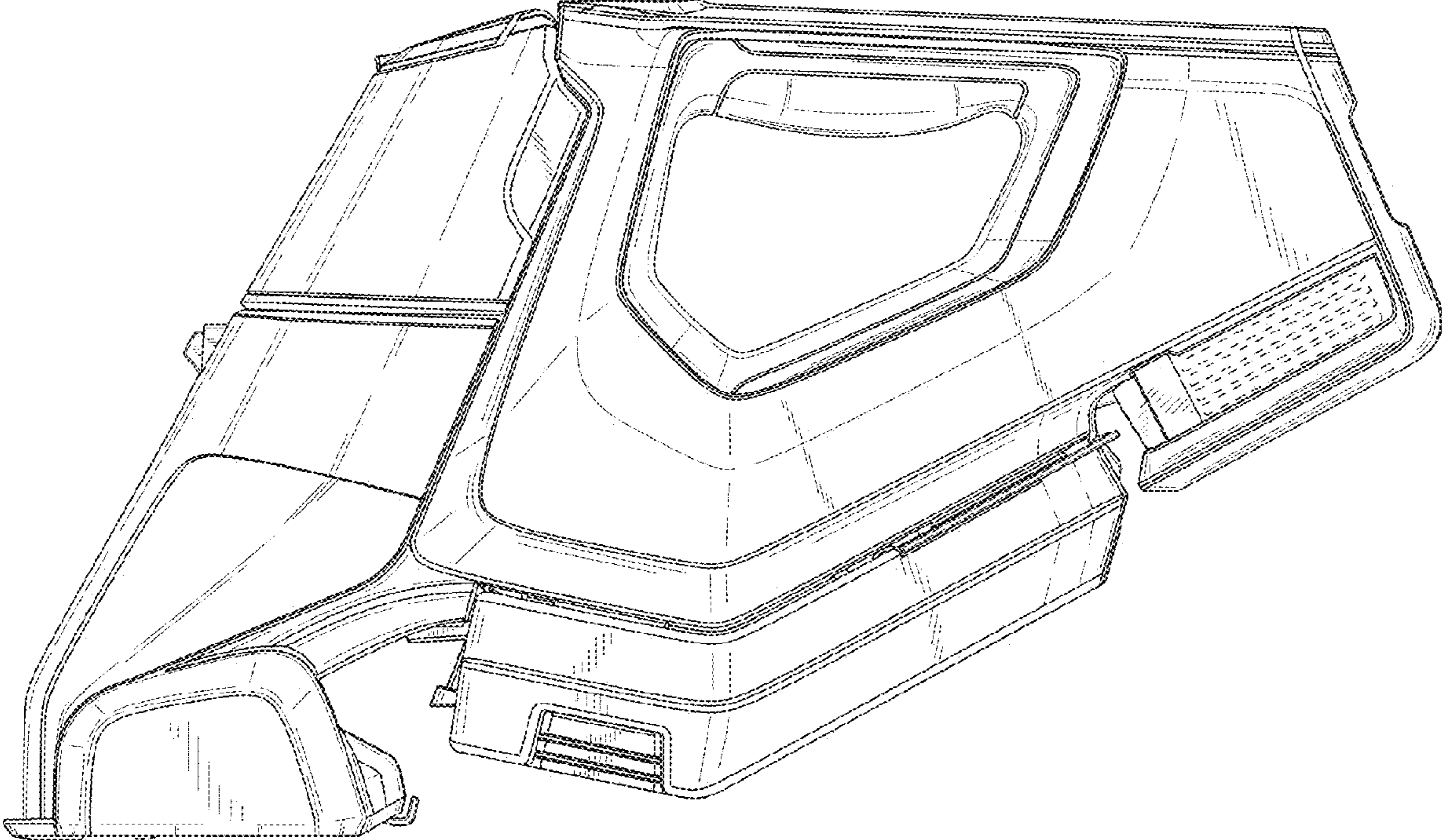


FIG. 5

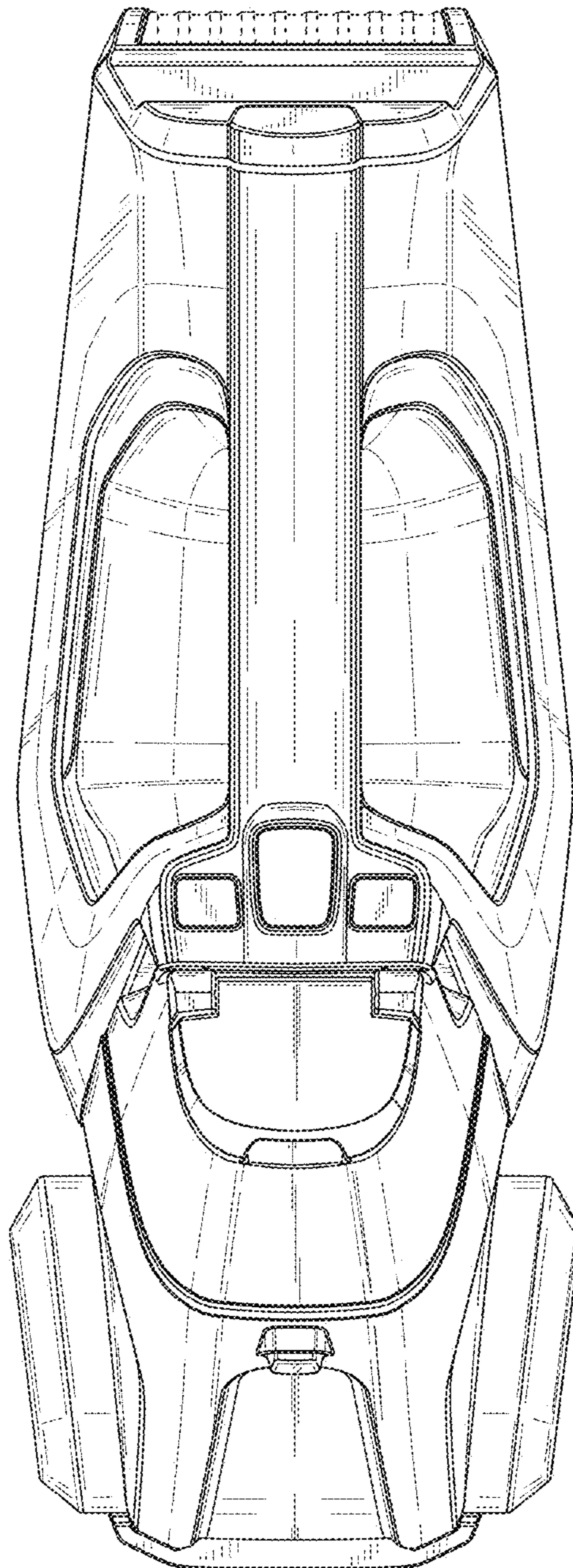


FIG. 6

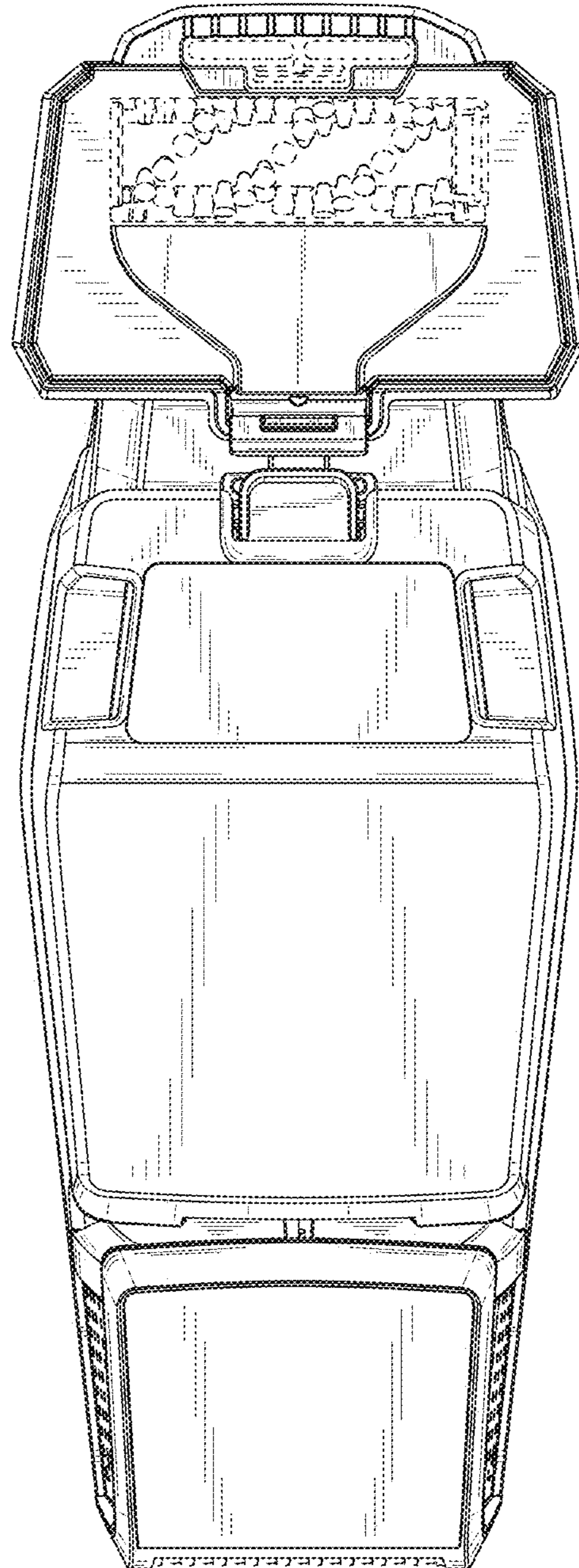


FIG. 7