



US00D984070S

(12) **United States Design Patent**  
**Yang**

(10) **Patent No.:** **US D984,070 S**

(45) **Date of Patent:** **\*\* Apr. 18, 2023**

(54) **DOG TRAINING COLLAR RECEIVER**

(71) Applicant: **Ting Yang**, Xiangyang (CN)

(72) Inventor: **Ting Yang**, Xiangyang (CN)

(\*\*) Term: **15 Years**

(21) Appl. No.: **29/851,356**

(22) Filed: **Aug. 26, 2022**

(51) **LOC (14) Cl.** ..... **30-99**

(52) **U.S. Cl.**  
USPC ..... **D30/199**; D10/104.1

(58) **Field of Classification Search**  
USPC ..... D30/144, 145, 151, 152, 153, 154, 199;  
D10/104.1, 104.2, 31, 32, 46, 65, 70, 74,  
D10/121  
CPC ..... A01K 15/02; A01K 15/021; A01K 15/022  
See application file for complete search history.

(56) **References Cited**

**U.S. PATENT DOCUMENTS**

D549,119 S *	8/2007	Becker	.....	D10/104.1
D584,176 S *	1/2009	Maruyama	.....	D10/70
D632,984 S *	2/2011	Register	.....	D10/65
D710,228 S *	8/2014	Burke	.....	D10/104.1
9,861,080 B1 *	1/2018	Hathway	.....	A01K 27/001
D815,551 S *	4/2018	Taylor	.....	D10/104.1
D824,120 S	7/2018	Yang et al.		
D858,904 S *	9/2019	Zinn	.....	D10/104.1
D898,613 S *	10/2020	Stapleton	.....	D11/216
D919,201 S *	5/2021	Wang	.....	D10/104.1
D925,141 S *	7/2021	Lai	.....	D10/104.1
11,094,224 B2 *	8/2021	Stapleton	.....	G09F 3/08
D929,879 S *	9/2021	Paschke	.....	D10/70
D936,919 S *	11/2021	Luo	.....	D10/104.1

D940,330 S *	1/2022	Räisänen	.....	D10/70
D943,845 S *	2/2022	Li	.....	D10/104.1
D944,470 S *	2/2022	Li	.....	D10/104.1
D945,721 S *	3/2022	Luo	.....	D10/104.1
D948,814 S *	4/2022	Jin	.....	D10/104.1
D952,961 S *	5/2022	Li	.....	D30/152
D956,765 S *	7/2022	Lee	.....	D14/440
D957,763 S *	7/2022	Jia	.....	D10/104.1
D961,864 S	8/2022	Mo		
D964,667 S *	9/2022	Mo	.....	D10/104.1
D970,827 S *	11/2022	Zhuang	.....	D30/152
D971,528 S *	11/2022	Wen	.....	D10/104.1
D972,236 S *	12/2022	Liang	.....	D10/104.1
2019/0304345 A1 *	10/2019	Stapleton	.....	A01K 27/001

\* cited by examiner

*Primary Examiner* — Andrew T Nemeth

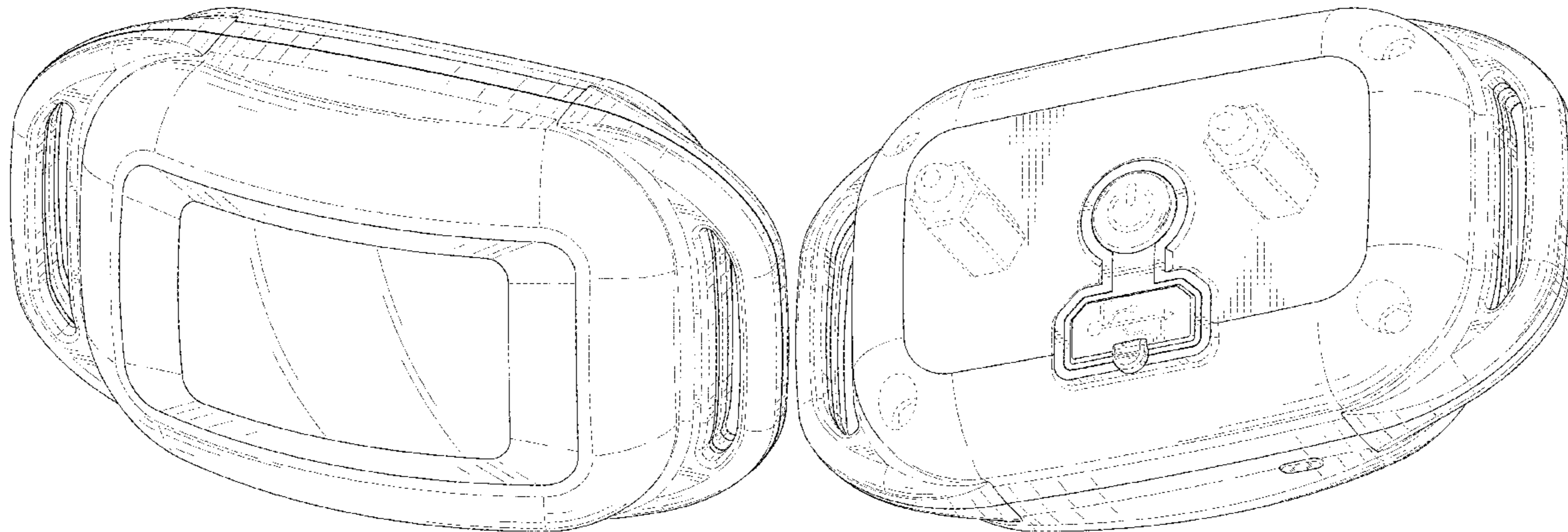
(57) **CLAIM**

The ornamental design for a dog training collar receiver, as shown and described.

**DESCRIPTION**

FIG. 1 is a front, right and top perspective view of a dog training collar receiver showing my new design; FIG. 2 is a rear, left and bottom perspective view thereof; FIG. 3 is a front view thereof; FIG. 4 is a rear view thereof; FIG. 5 is a left side view thereof; FIG. 6 is a right side view thereof; FIG. 7 is a top plan view thereof; and, FIG. 8 is a bottom plan view thereof. The broken lines in the figures illustrate portions of the dog training collar receiver that form no part of the claimed design.

**1 Claim, 8 Drawing Sheets**



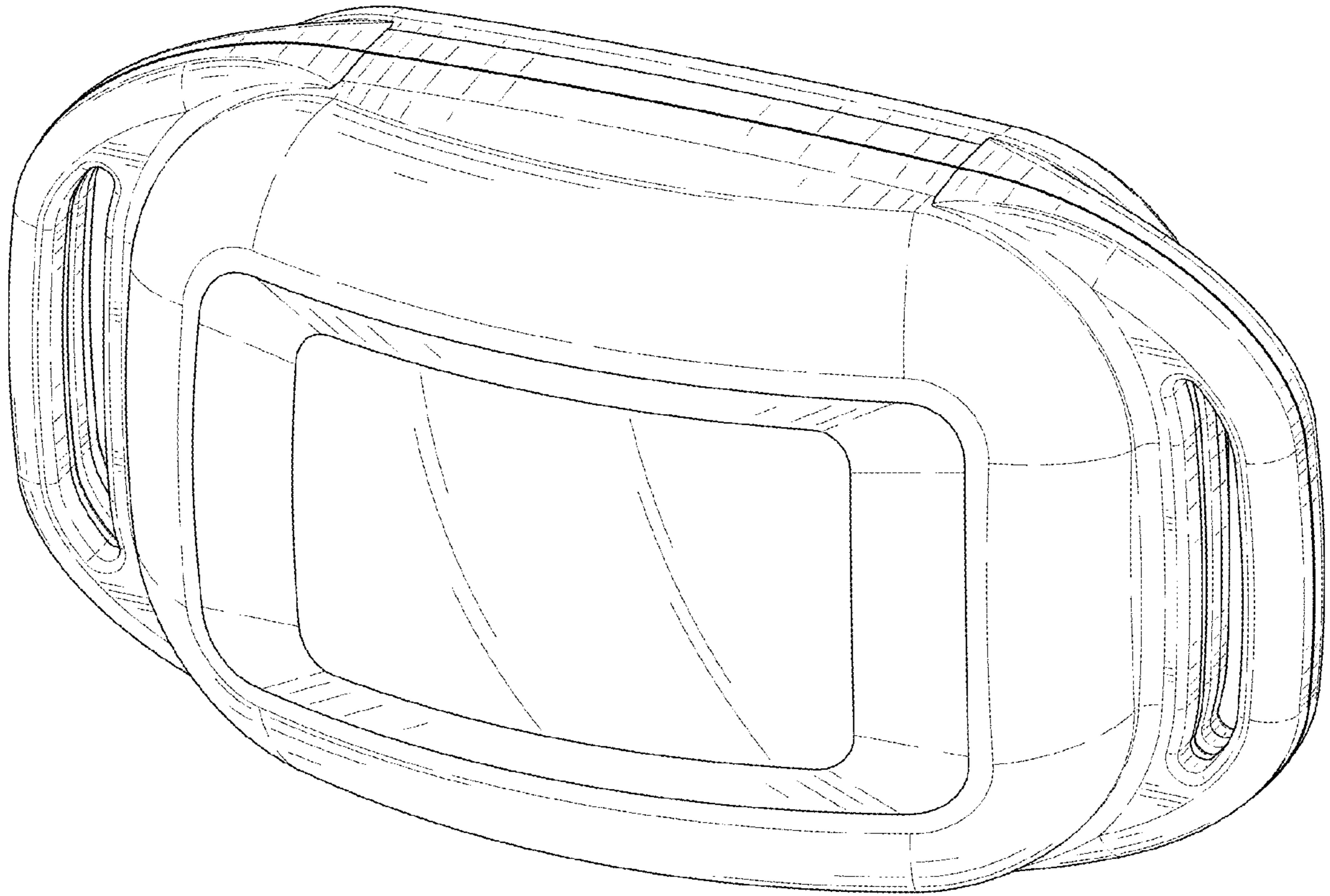


FIG. 1

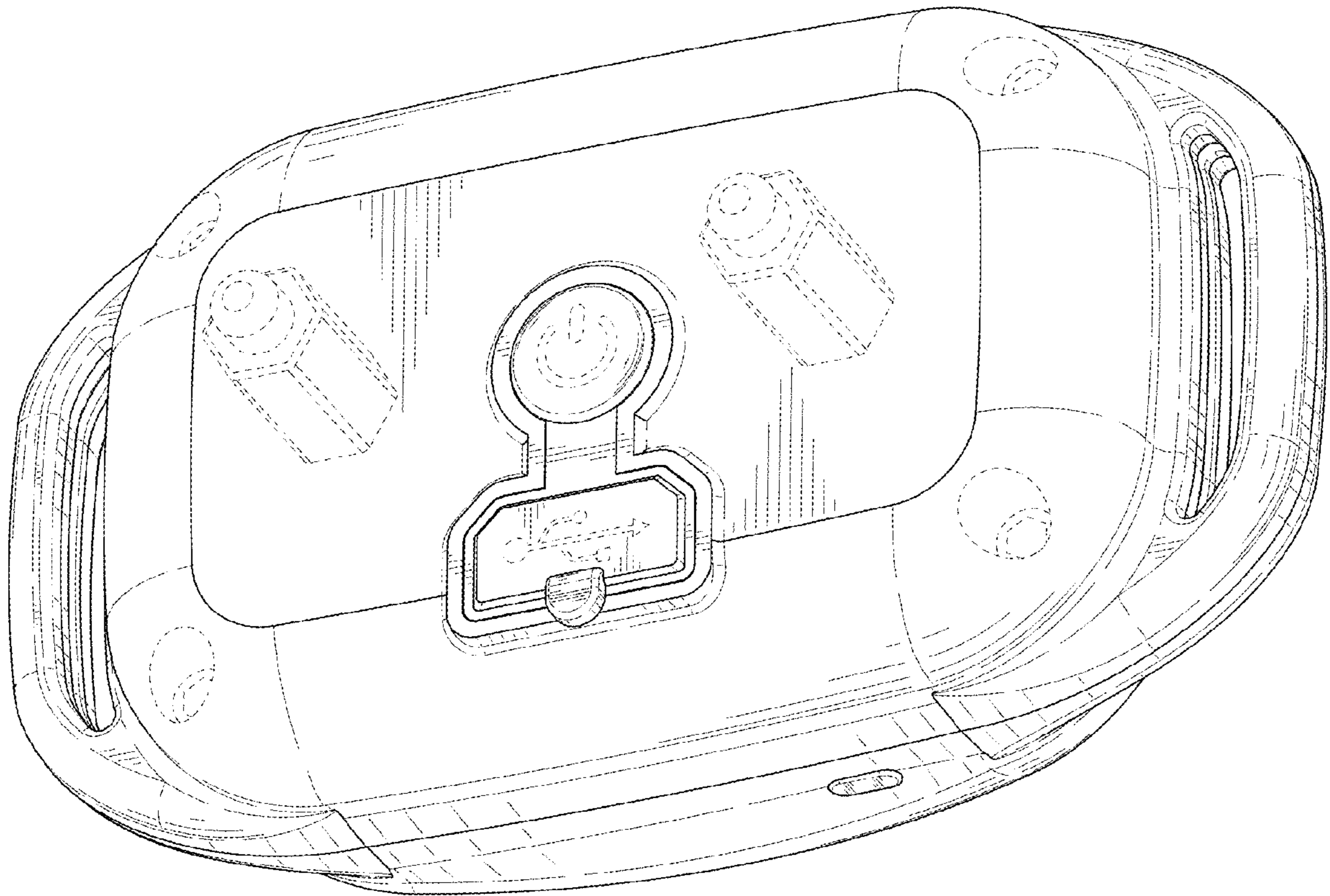


FIG. 2

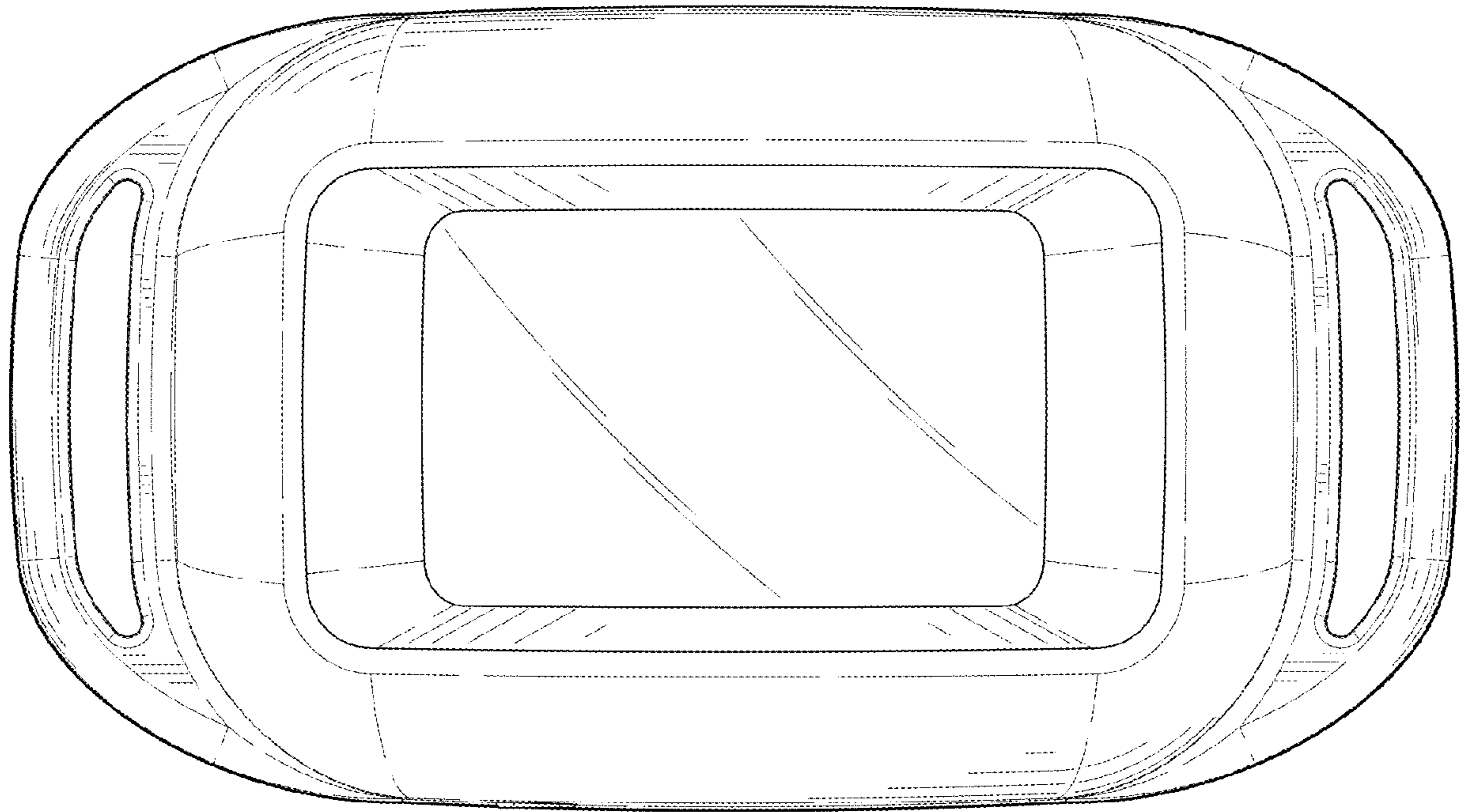


FIG. 3

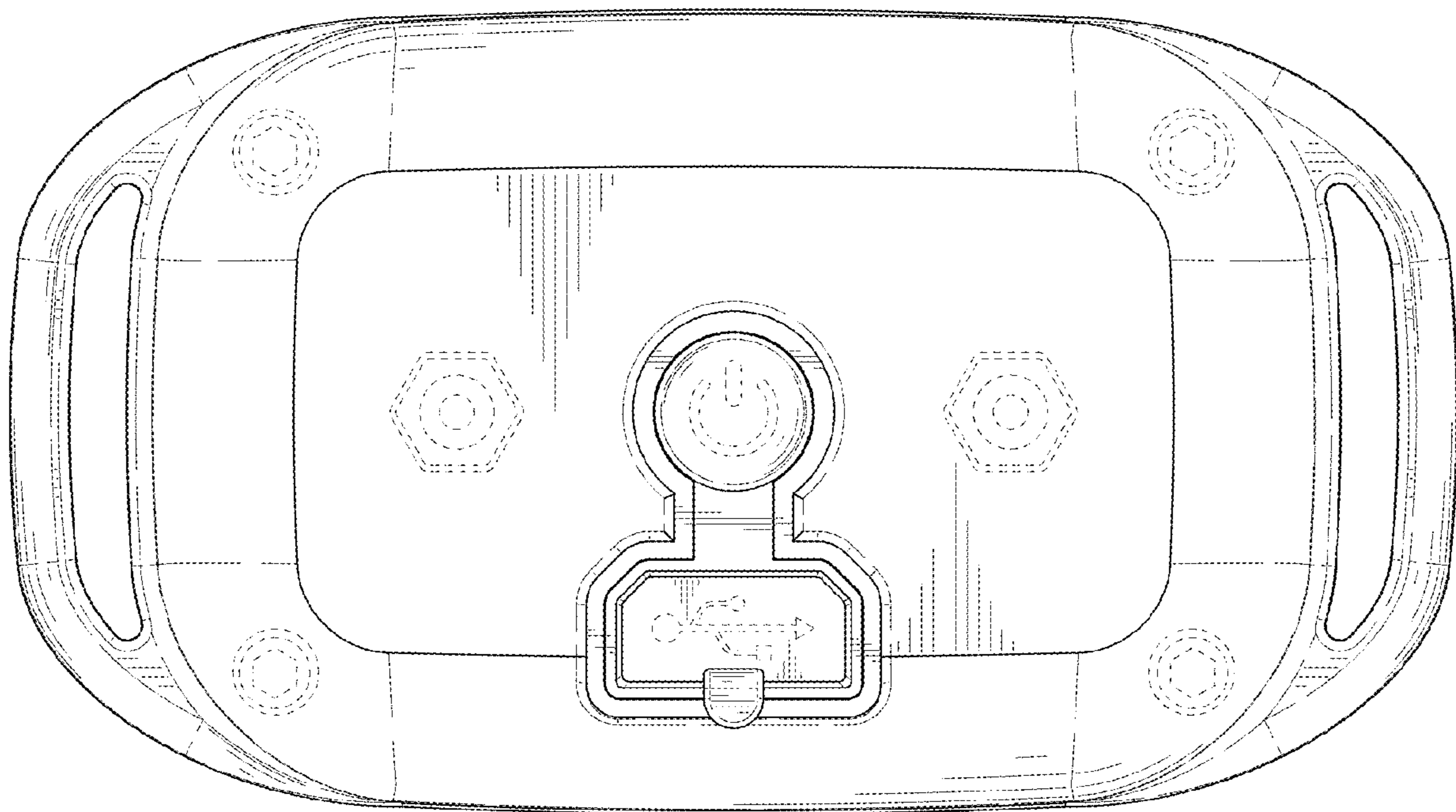


FIG. 4

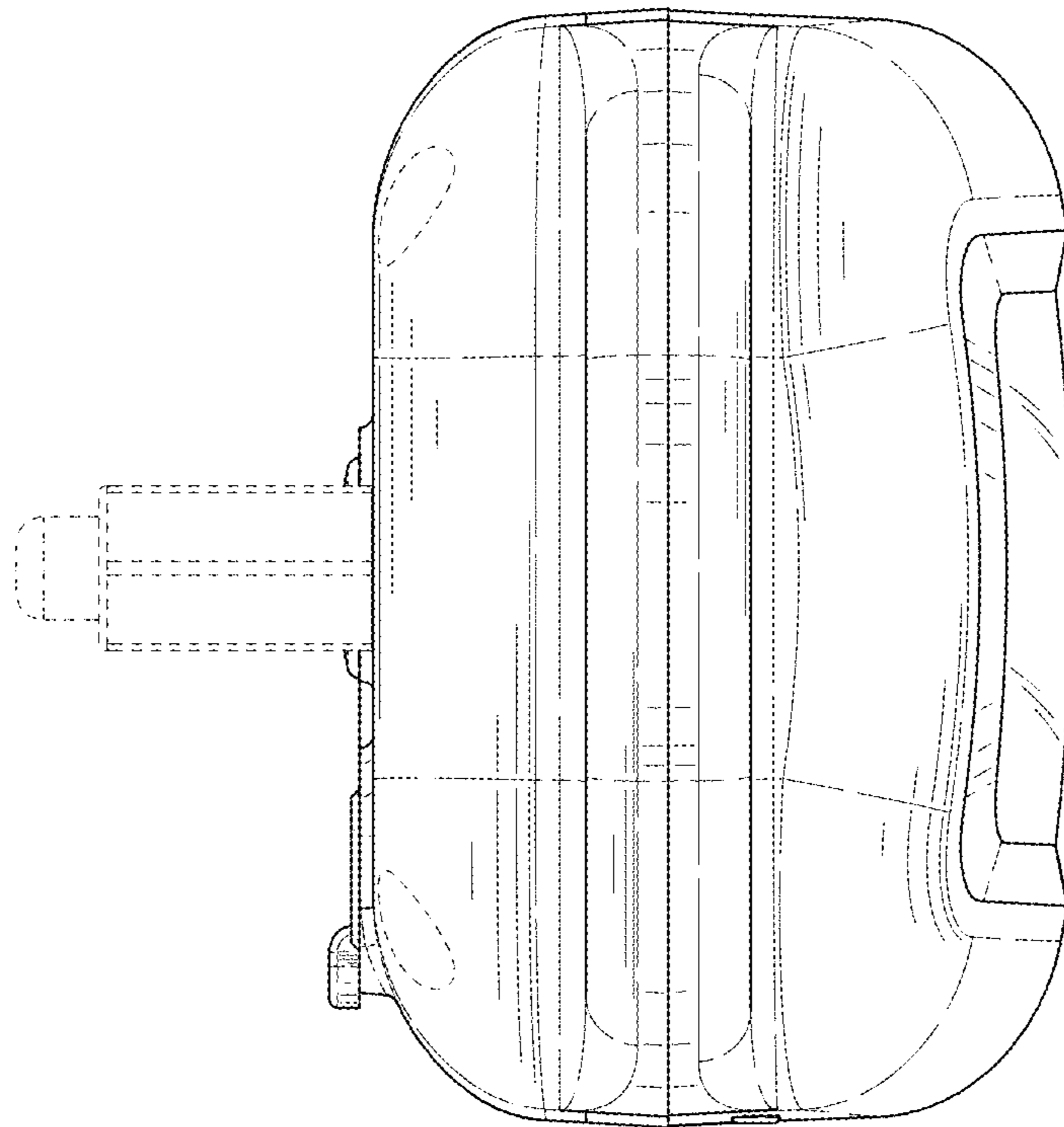


FIG. 5

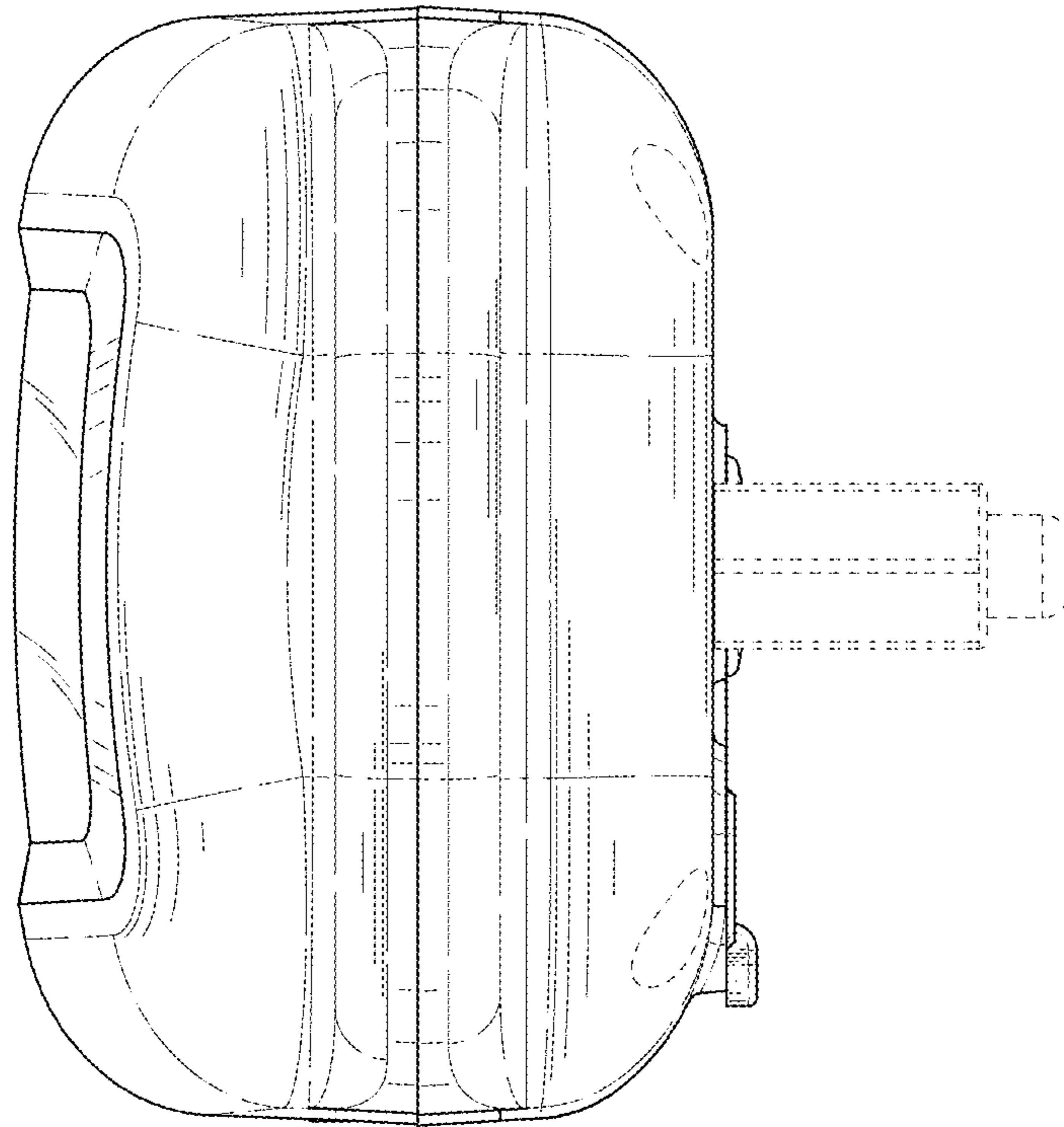


FIG. 6

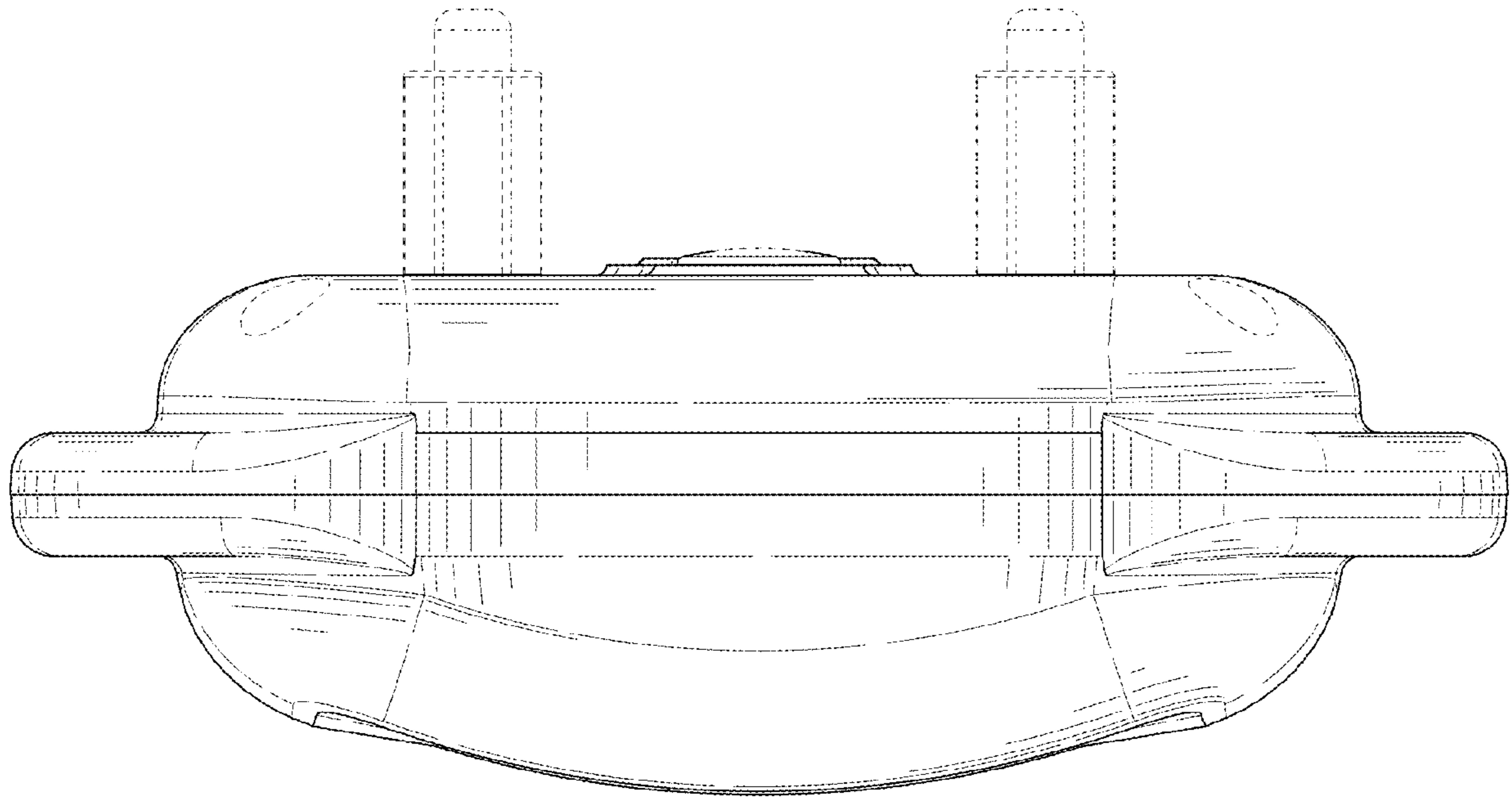


FIG. 7



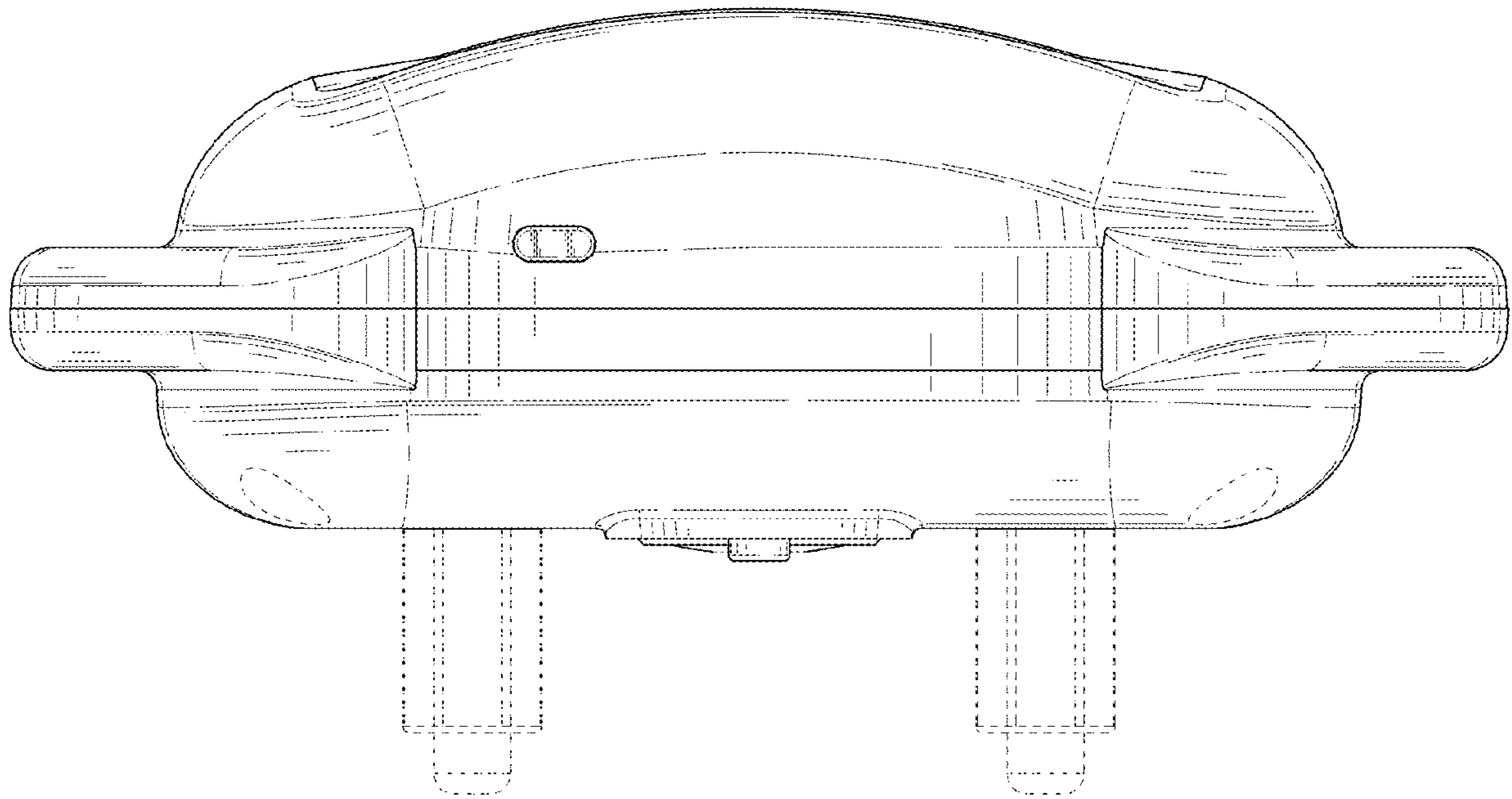


FIG. 8