



US00D984066S

(12) **United States Design Patent** (10) **Patent No.:** **US D984,066 S**
Douglas (45) **Date of Patent:** **** Apr. 18, 2023**

(54) **PET COLLAR** 5,133,295 A * 7/1992 Lippincott A01K 13/006
132/273

(71) Applicant: **TENACIOUS INTERNATIONAL** 5,197,414 A * 3/1993 Kanakura A01K 13/006
INC., Newmarket (CA) 119/815

(72) Inventor: **Helen Charlotte Douglas, Baie Verte** 5,349,927 A * 9/1994 Campbell A01K 13/006
(CA) 119/815

(73) Assignee: **TENACIOUS INTERNATIONAL** D409,339 S * 5/1999 Silano D30/119
INC., Newmarket (CA) D436,929 S * 1/2001 Kane D13/156
D506,296 S * 6/2005 Driver 119/815
D562,505 S 2/2008 Fujita
D579,157 S 10/2008 Edwards
7,765,957 B2 * 8/2010 Behraves A01K 13/006
119/815

(**) Term: **15 Years** D632,851 S * 2/2011 Maroney D30/152
D647,669 S * 10/2011 Martinez D30/152

(21) Appl. No.: **29/816,885** (Continued)

(22) Filed: **Nov. 25, 2021**

Related U.S. Application Data

(63) Continuation of application No. 29/718,173, filed on Dec. 20, 2019, now Pat. No. Des. 940,407.

(51) **LOC (14) Cl.** **30-04**

(52) **U.S. Cl.**
USPC **D30/152**

(58) **Field of Classification Search**
USPC D30/121, 133, 145, 152, 199, 144, 151;
D2/602
CPC A01K 27/001; A01K 13/006; A01K 13/00;
A01K 15/006; A01K 15/04; A61D 9/00
See application file for complete search history.

References Cited

U.S. PATENT DOCUMENTS

(56) 3,036,554 A * 5/1962 Johnson A01K 13/006
119/815

4,200,057 A * 4/1980 Agar A01K 15/04
119/815

4,519,187 A * 5/1985 Reynolds A01K 13/006
54/80.3

D281,816 S 12/1985 Conn, Sr. et al.

5,012,764 A * 5/1991 Fick A61D 9/00
119/856

OTHER PUBLICATIONS

U.S. Appl. No. 29/816,884, Pet Collar, filed Nov. 25, 2021.

Primary Examiner — Aula Soroush

(74) *Attorney, Agent, or Firm* — Perry + Currier Inc.

(57) **CLAIM**

The ornamental design for a pet collar, as shown and described.

DESCRIPTION

FIG. 1 is a perspective view of the pet collar showing our new design;

FIG. 2 is another perspective view thereof;

FIG. 3 is a right side elevation view thereof;

FIG. 4 is a front elevation view thereof;

FIG. 5 is a left side elevation view thereof;

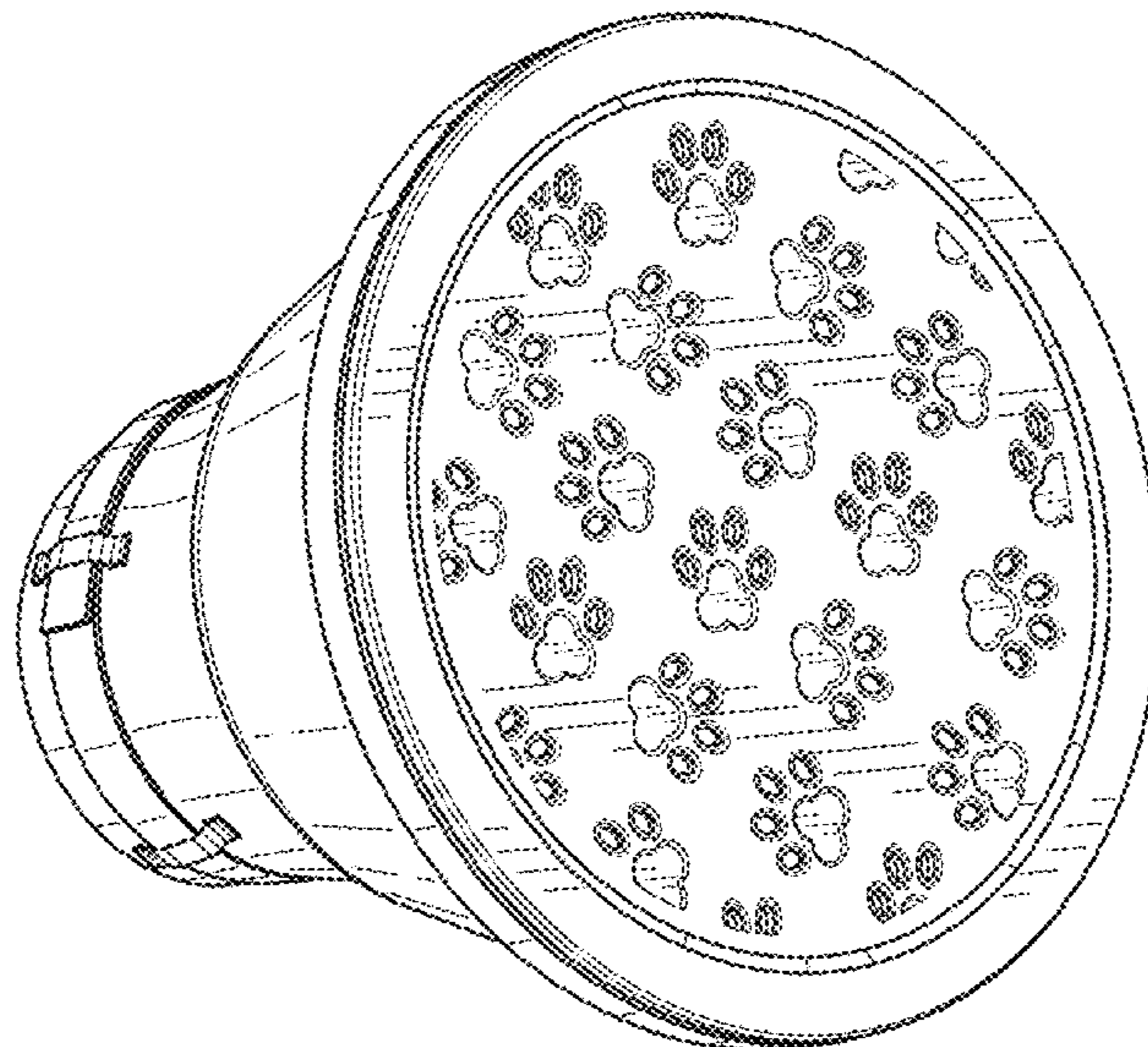
FIG. 6 is a rear elevation view thereof;

FIG. 7 is a top plan view thereof; and,

FIG. 8 is a bottom plan view thereof.

The broken lines in the drawings illustrate portions of the pet collar that form no part of the claimed design.

1 Claim, 8 Drawing Sheets



(56)

References Cited

U.S. PATENT DOCUMENTS

8,042,494 B2 *	10/2011	Markfield	A61D 9/00	D747,833 S	1/2016	Liu
				119/815	D757,372 S	5/2016	Clinton
D659,305 S	5/2012	Song et al.			D804,110 S	11/2017	Hamill et al.
8,181,609 B2 *	5/2012	Ohashi	A01K 13/006	9,820,470 B1 *	11/2017	Hufstedler A01K 25/00
				119/815	D805,207 S	12/2017	Ruffin et al.
D664,721 S	7/2012	Martinez			D818,335 S *	5/2018	Walters D15/138
D665,952 S *	8/2012	Guo	D30/152	D844,260 S	3/2019	Cai
D665,953 S *	8/2012	Leary	A01K 13/001	D855,903 S *	8/2019	Cai D30/152
				D30/158	D869,103 S	12/2019	Bolton
D666,367 S *	8/2012	Miller	D30/155	D873,419 S	1/2020	Ruffin et al.
8,256,384 B2 *	9/2012	Wheeler	A01K 27/006	10,555,501 B2 *	2/2020	Hansen A01K 13/006
				D30/151	10,624,318 B2 *	4/2020	Bolton A01K 15/04
8,286,593 B2 *	10/2012	Albers	A01K 13/006	D886,391 S	6/2020	Moritz et al.
				119/815	D887,092 S	6/2020	Moritz et al.
D673,739 S	1/2013	Herrera			D906,603 S *	12/2020	Vaccaro D30/152
D705,502 S *	5/2014	Markfield	D30/152	D940,407 S *	1/2022	Douglas D30/152
8,720,386 B2	5/2014	Markfield			D957,068 S *	7/2022	Li D30/152
8,739,741 B2	6/2014	Groff			2011/0277701 A1 *	11/2011	King A01K 13/006
D726,974 S *	4/2015	Brennan	D30/152			119/815
D734,899 S	7/2015	Martinez			2015/0257362 A1 *	9/2015	Smith A01K 13/006
							119/821
					2017/0325423 A1	11/2017	McGrath

* cited by examiner

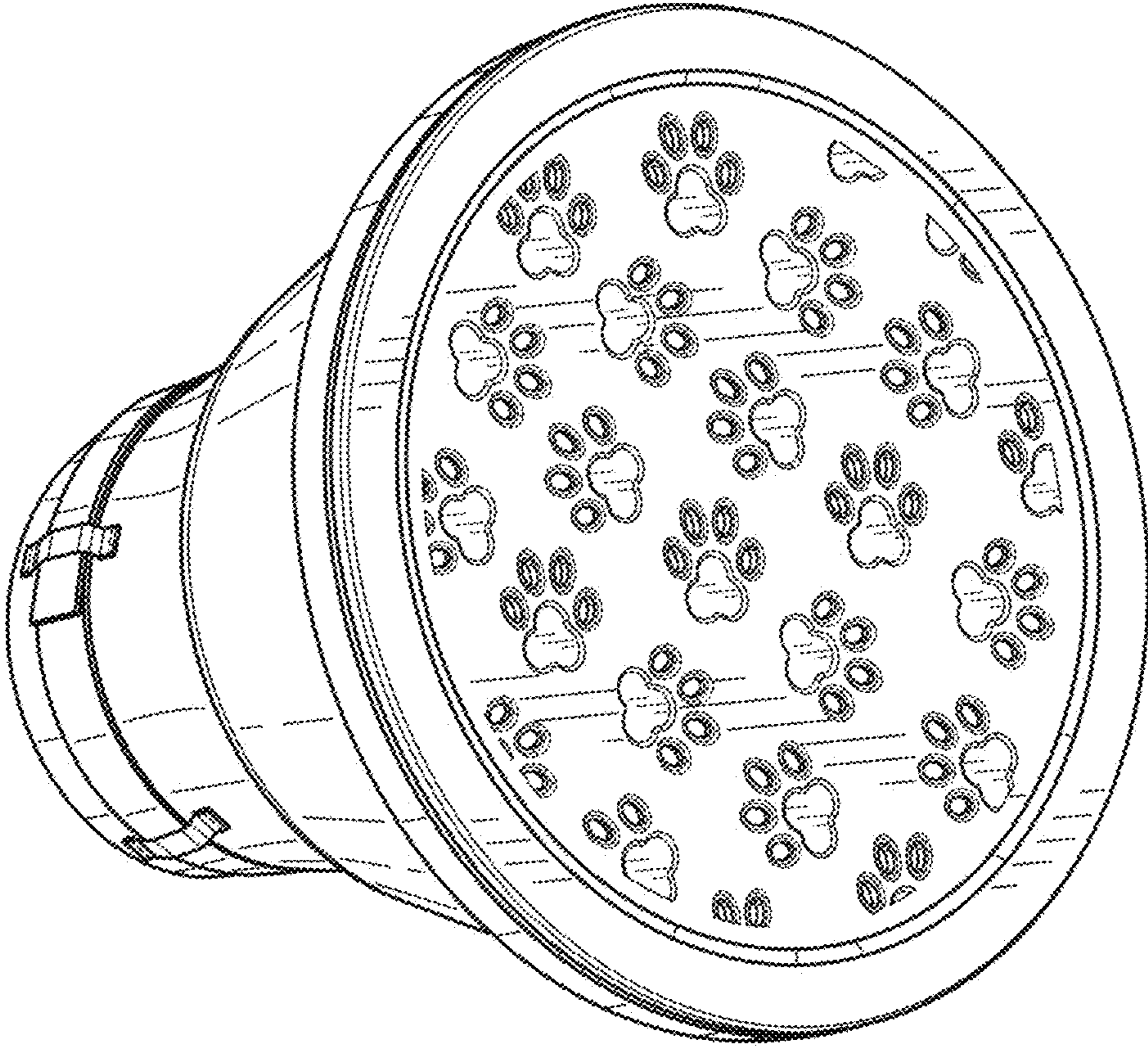


FIG. 1

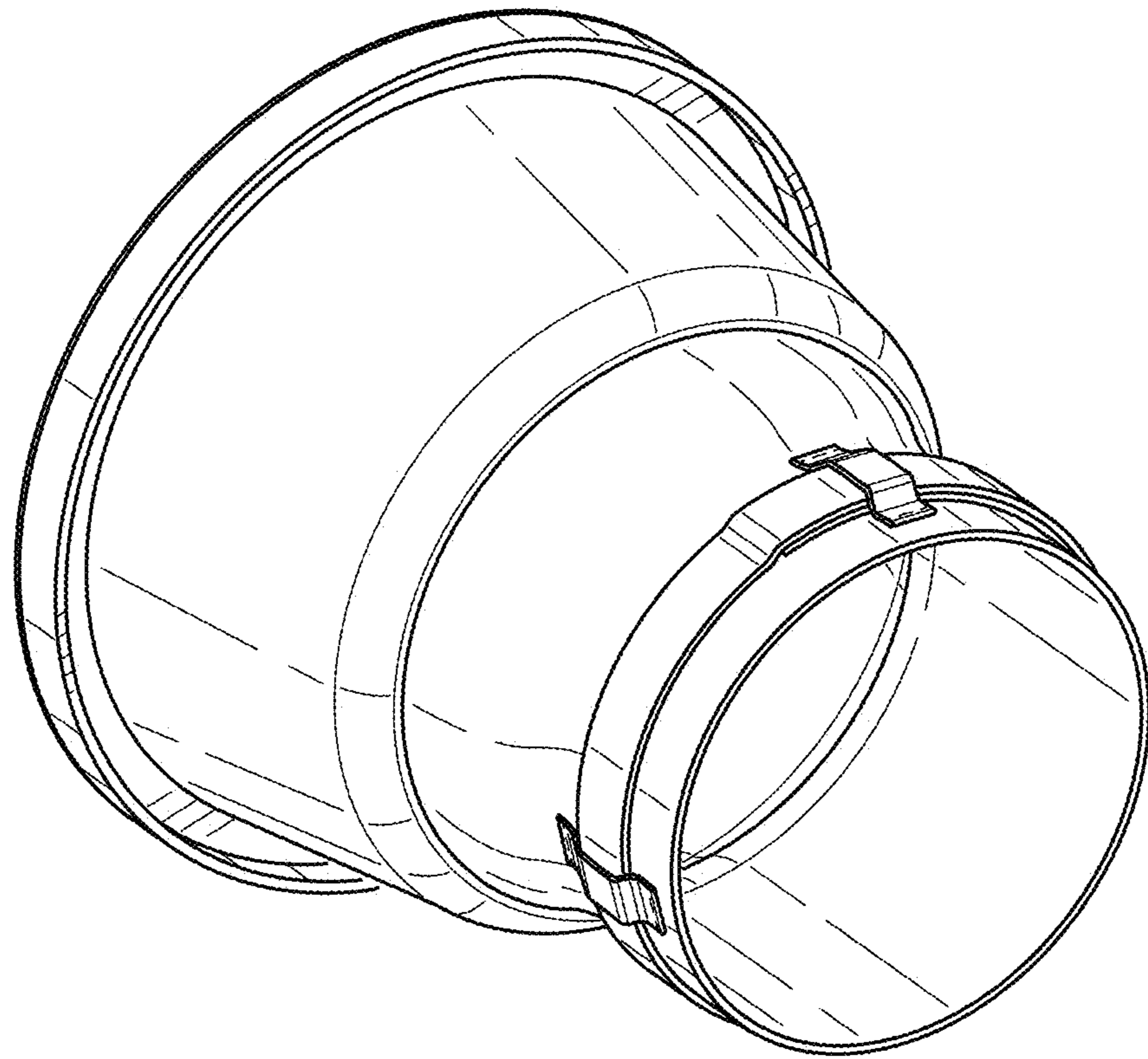


FIG. 2

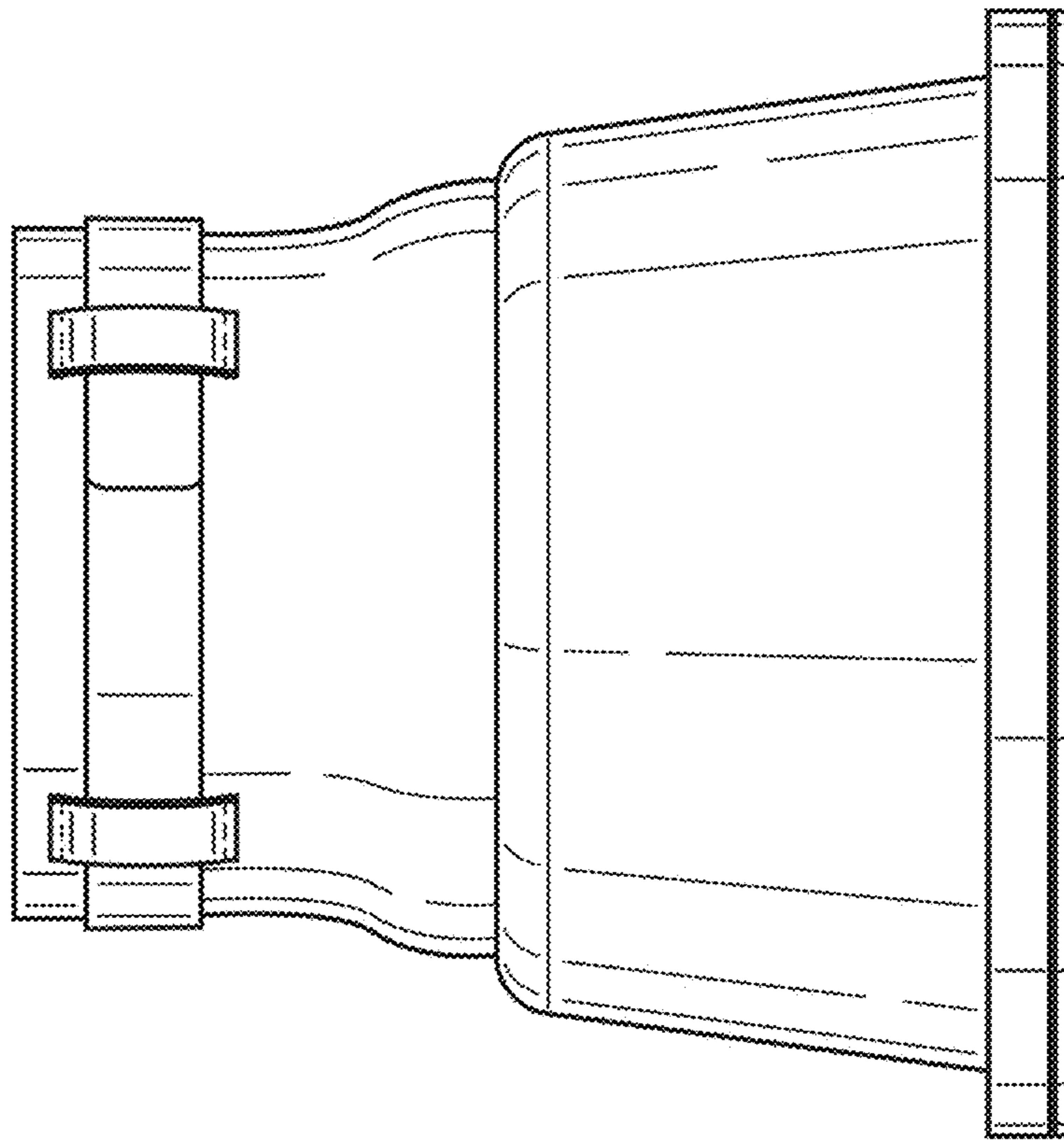


FIG. 3

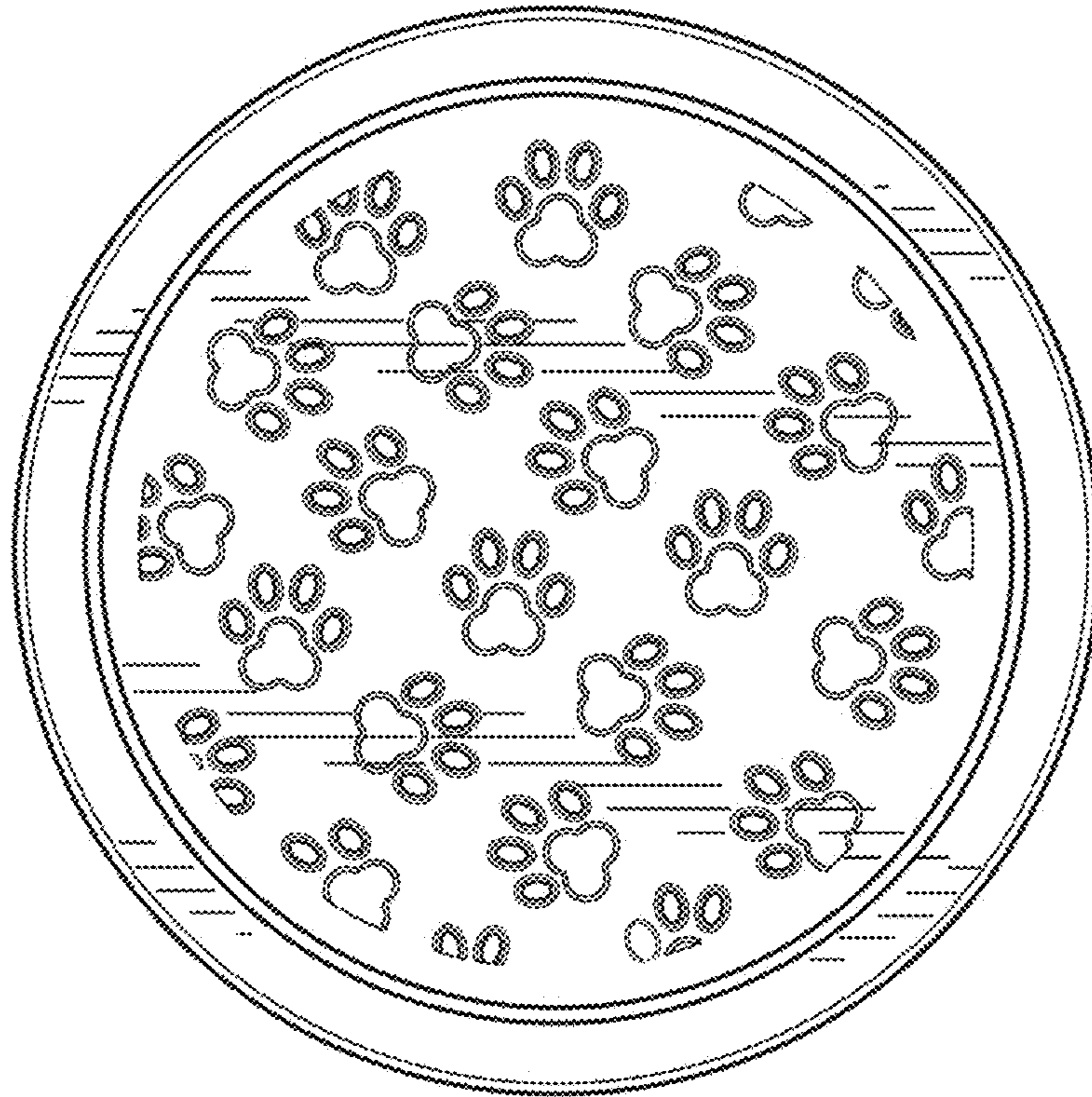


FIG. 4

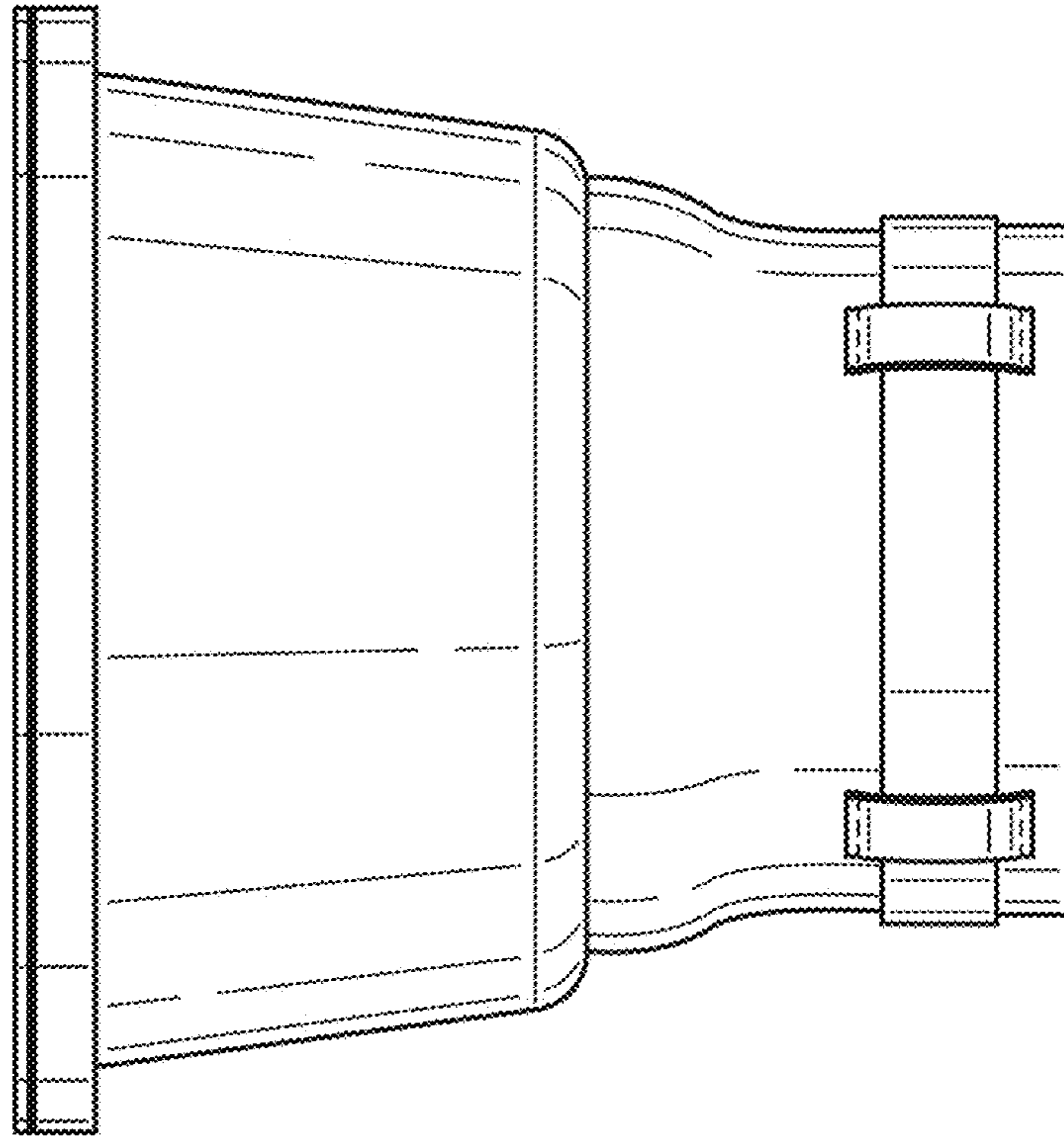


FIG. 5

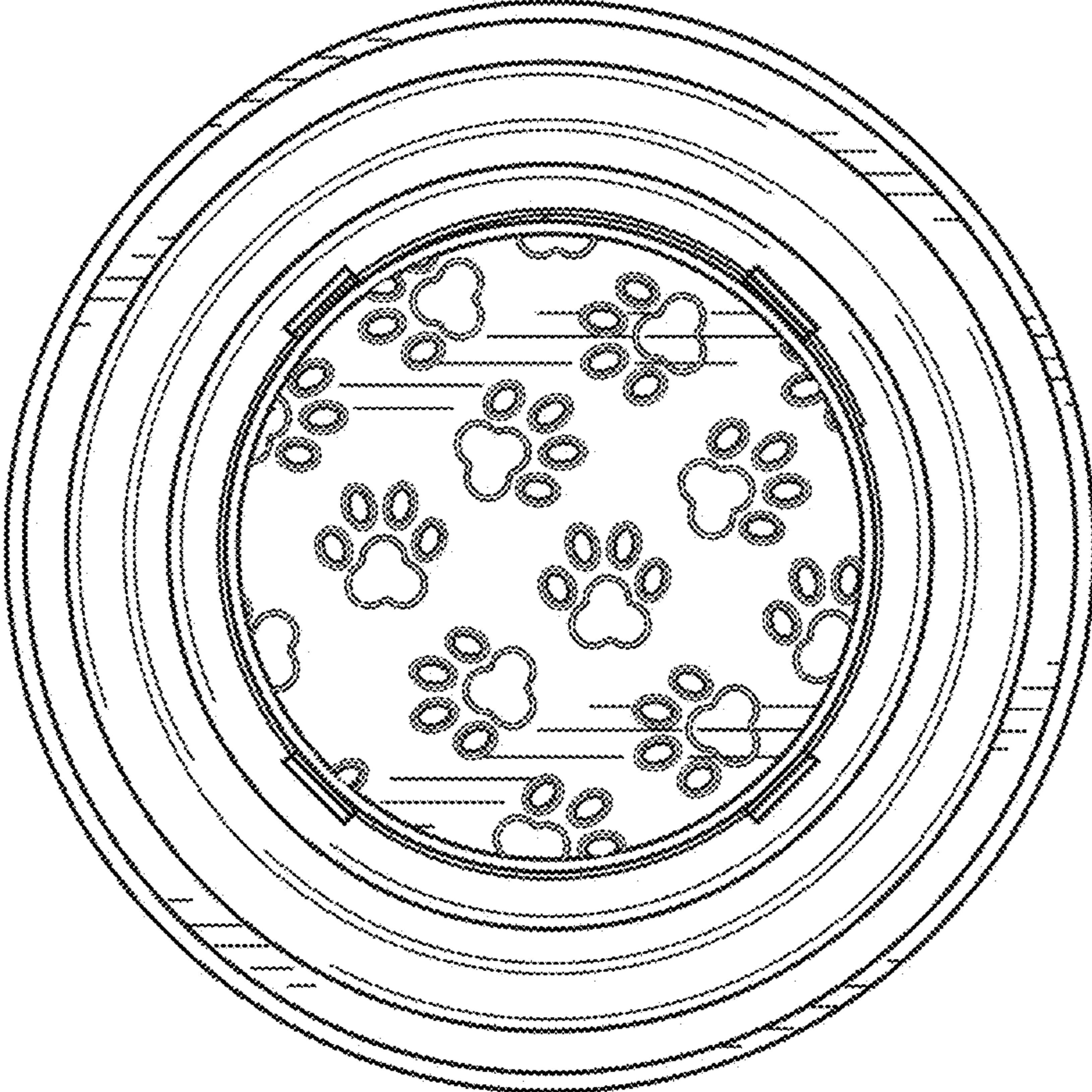


FIG. 6

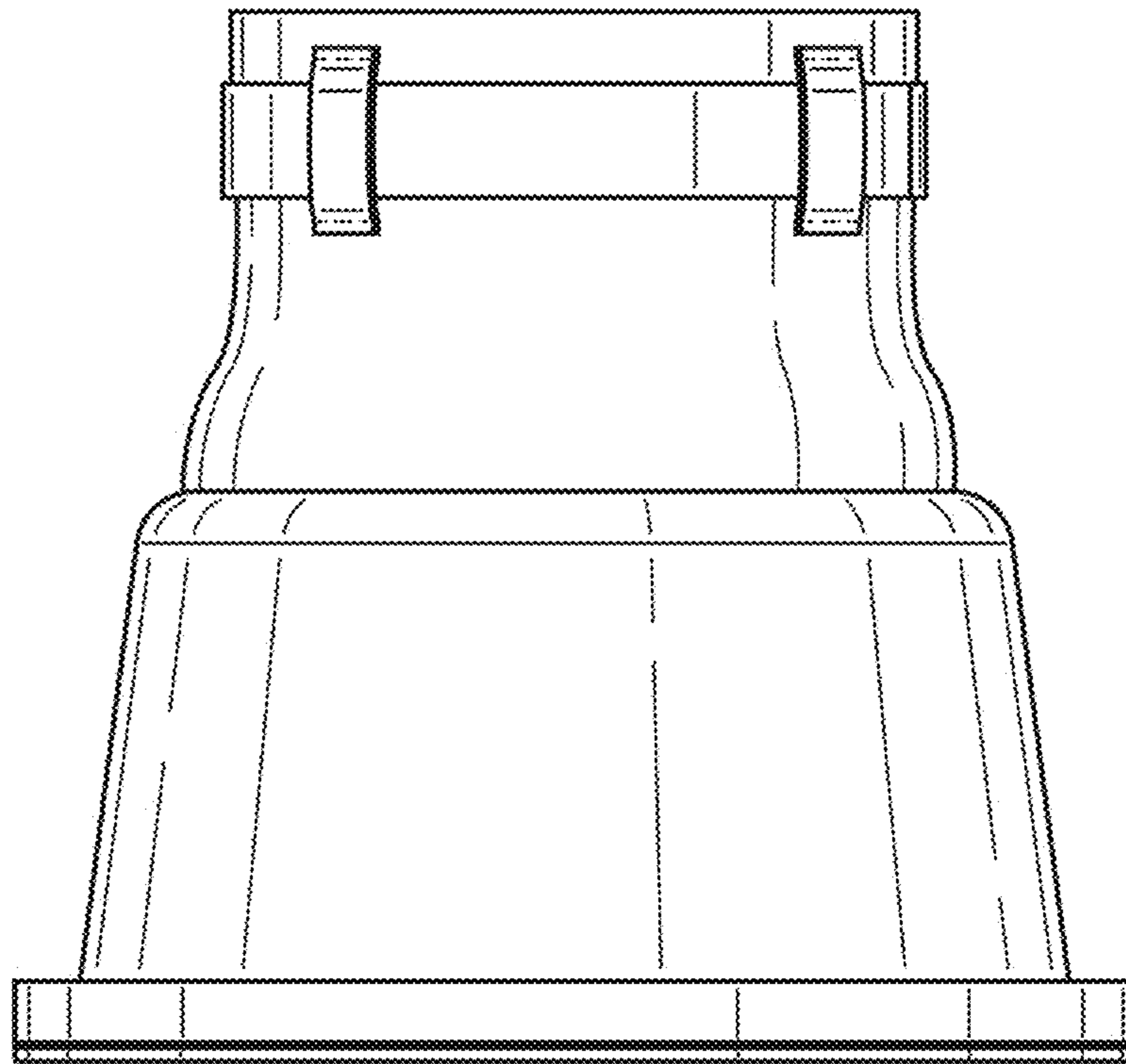


FIG. 7

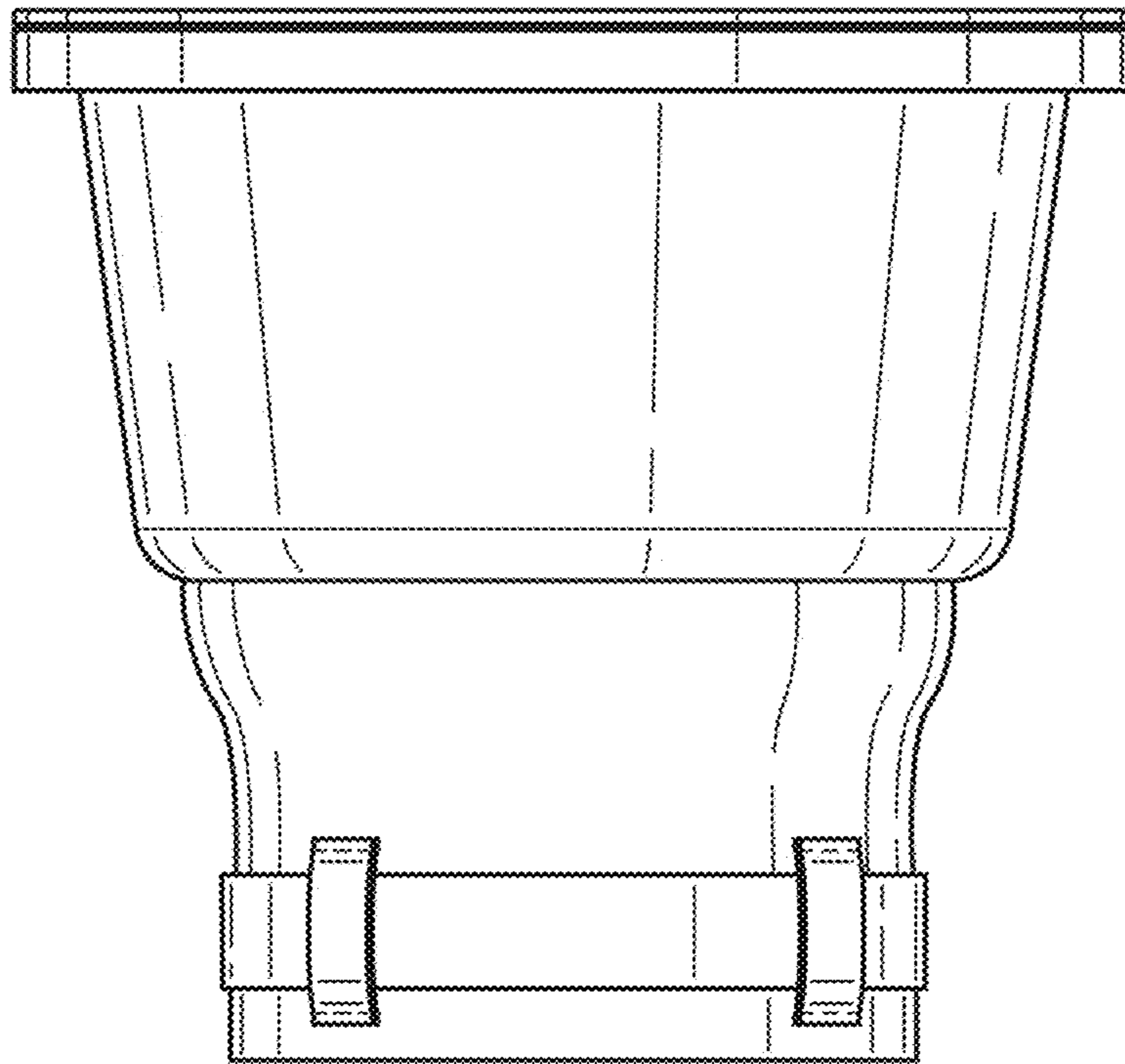


FIG. 8