



US00D984060S

(12) **United States Design Patent**
Lin

(10) **Patent No.:** **US D984,060 S**

(45) **Date of Patent:** **** Apr. 18, 2023**

(54) **CHICKEN WATER CUP**

(71) Applicant: **Hongfei Lin**, Leizhou (CN)

(72) Inventor: **Hongfei Lin**, Leizhou (CN)

(**) Term: **15 Years**

(21) Appl. No.: **29/849,900**

(22) Filed: **Aug. 15, 2022**

(51) **LOC (14) Cl.** **30-03**

(52) **U.S. Cl.**

USPC **D30/132; D30/129**

(58) **Field of Classification Search**

USPC D30/110, 114, 115, 116, 119, 121, 122,
D30/123, 124, 125, 127, 128, 129, 130,
D30/131, 132, 133, 160, 199; D7/545,
D7/500, 562, 602, 707, 509, 523, 584

CPC .. A01K 5/0275; A01K 5/0114; A01K 5/0121;
A01K 5/02; A01K 5/0291; A01K 5/025;
A01K 5/0266; A01K 5/0283; A01K
5/0258; A01K 5/0142; A01K 5/0233;
A01K 29/00; A01K 7/00; G01F 11/24;
G01F 23/02; B67D 1/0425; B67D 1/04;
B67D 1/00; B67D 1/02; B67D 1/0871;
B67D 1/0802; A47J 41/0033; A47J
41/005; A47J 41/0088; A47J 41/0094;
A47J 41/053; A47J 31/04; B05B 11/00;
B05B 11/0002; B05B 11/0005; B05B
11/001; C02F 1/003; C02F 1/283; C02F
2307/02

See application file for complete search history.

(56) **References Cited**

U.S. PATENT DOCUMENTS

D177,053 S * 3/1956 Kofford D30/132
D214,678 S * 7/1969 Weeber D7/587
D234,145 S * 1/1975 Peppler D30/132
4,248,178 A * 2/1981 Kneubuehl A01K 39/0213
119/75

4,656,970 A * 4/1987 Hostetler A01K 39/024
119/78
D290,537 S * 6/1987 Hostetler D30/132
D290,771 S * 7/1987 Hostetler D30/132
D324,116 S * 2/1992 Skillius D30/132
D496,224 S * 9/2004 Bennett D7/584
D682,483 S * 5/2013 Silverman D30/129
D686,783 S * 7/2013 Pluss D30/132
D867,071 S * 11/2019 Berger D7/584
D870,397 S * 12/2019 Veness D30/129
D870,398 S * 12/2019 Veness D30/129
D871,683 S 12/2019 Lee et al.
D907,444 S * 1/2021 Huang D7/602

(Continued)

OTHER PUBLICATIONS

Chicken Water Cup. Esslinn, amazon.com (online) 11 pages. Posted Oct. 21, 2022. [Retrieved Dec. 27, 2022] <https://a.co/d/fcAaQkY> (Year: 2022).*

(Continued)

Primary Examiner — Kathleen L Jones

Assistant Examiner — Cole Sanders Holman

(57)

CLAIM

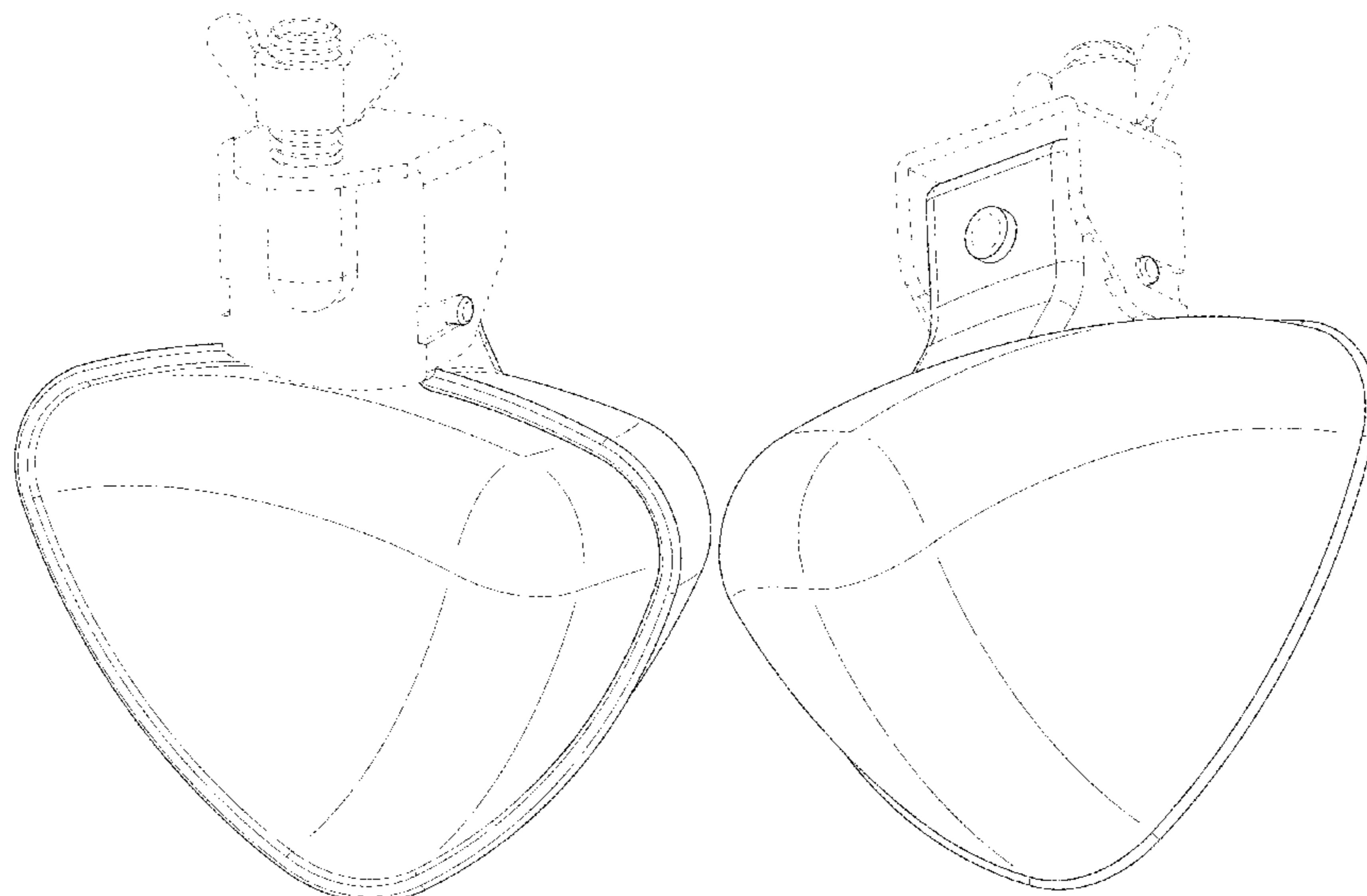
The ornamental design for chicken water cup, as shown and described.

DESCRIPTION

FIG. 1 is a front, right, and top perspective view of a chicken water cup, showing my new design;
FIG. 2 is a rear, left, and bottom perspective view thereof;
FIG. 3 is a front elevational view thereof;
FIG. 4 is a rear elevational view thereof;
FIG. 5 is a left elevational view thereof;
FIG. 6 is a right elevational view thereof;
FIG. 7 is a top plan view thereof; and,
FIG. 8 is a bottom plan view thereof.

The broken lines depict portions of chicken water cup and form no part of the claimed design.

1 Claim, 8 Drawing Sheets



(56)

References Cited

U.S. PATENT DOCUMENTS

D918,489 S 5/2021 Sayers
D934,510 S 10/2021 Liu
D937,501 S 11/2021 Chen et al.
D949,491 S 4/2022 Phillips
D950,166 S 4/2022 Guan
D953,656 S 5/2022 Wang
2012/0199597 A1* 8/2012 Myoung B65D 25/22
220/751
2022/0211002 A1* 7/2022 Phillips A01K 7/00

OTHER PUBLICATIONS

Backyard Barnyard 6 Pack. Backyard Barnyard, amazon.com (online)
11 pages. Posted Jul. 7, 2020. [Retrieved Dec. 27, 2022] <https://a.co/d/ela5QRU> (Year: 2020).*

12 PCS Large Chicken Waterer. Perfsign, amazon.com (online) 6
pages. Posted Aug. 5, 2022. [Retrieved Dec. 27, 2022] <https://a.co/d/gGIABIA> (Year: 2022).*

* cited by examiner

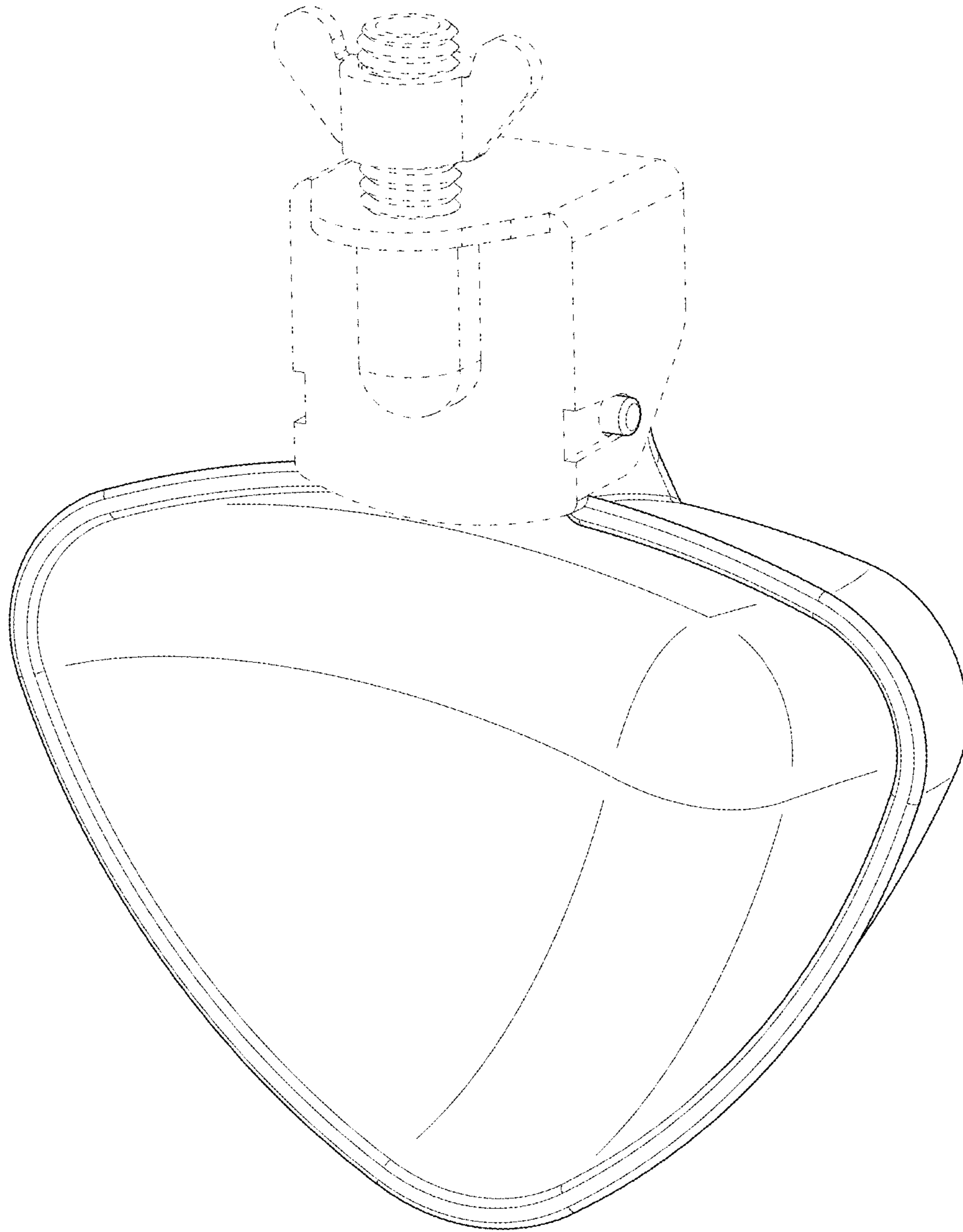


FIG. 1

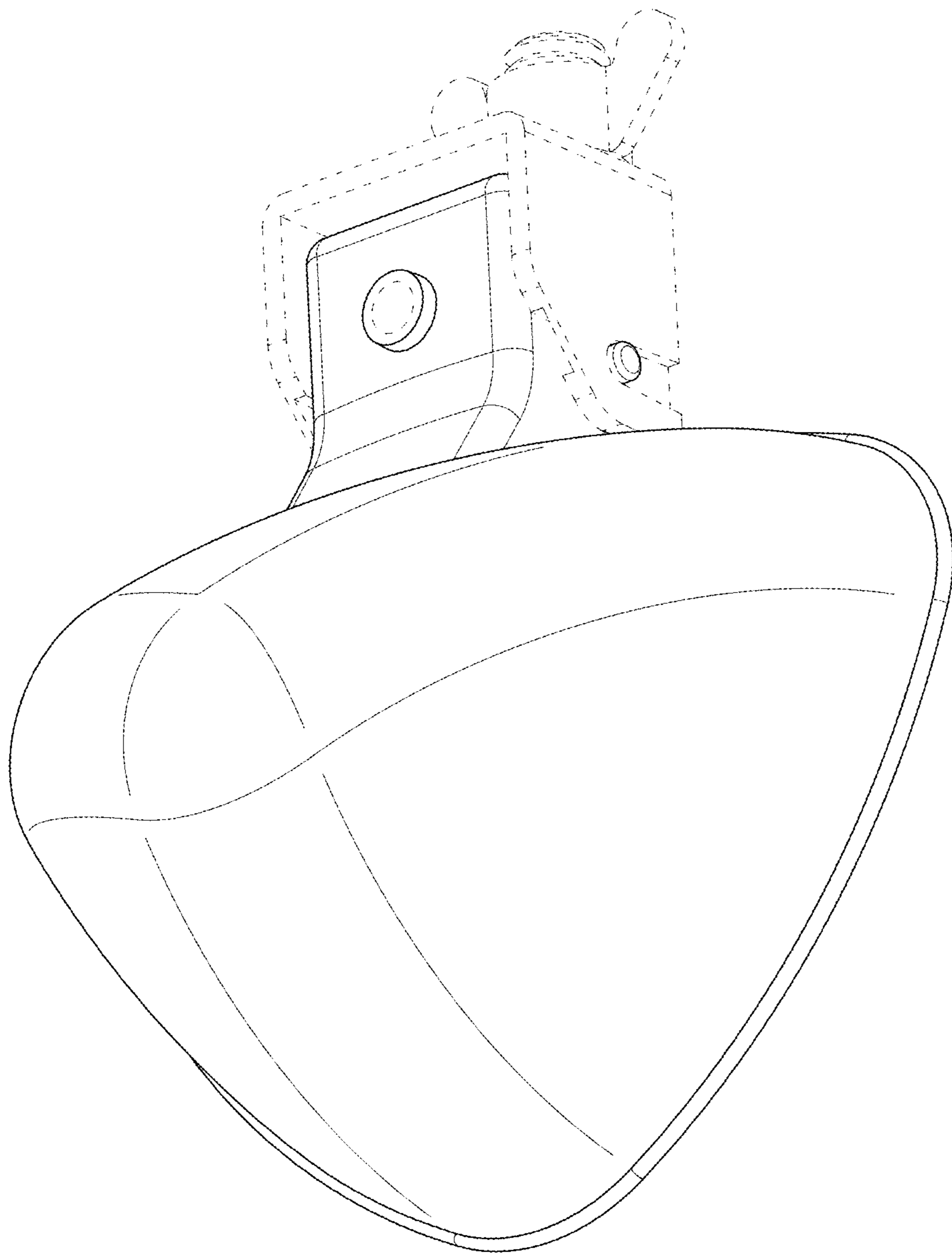


FIG. 2

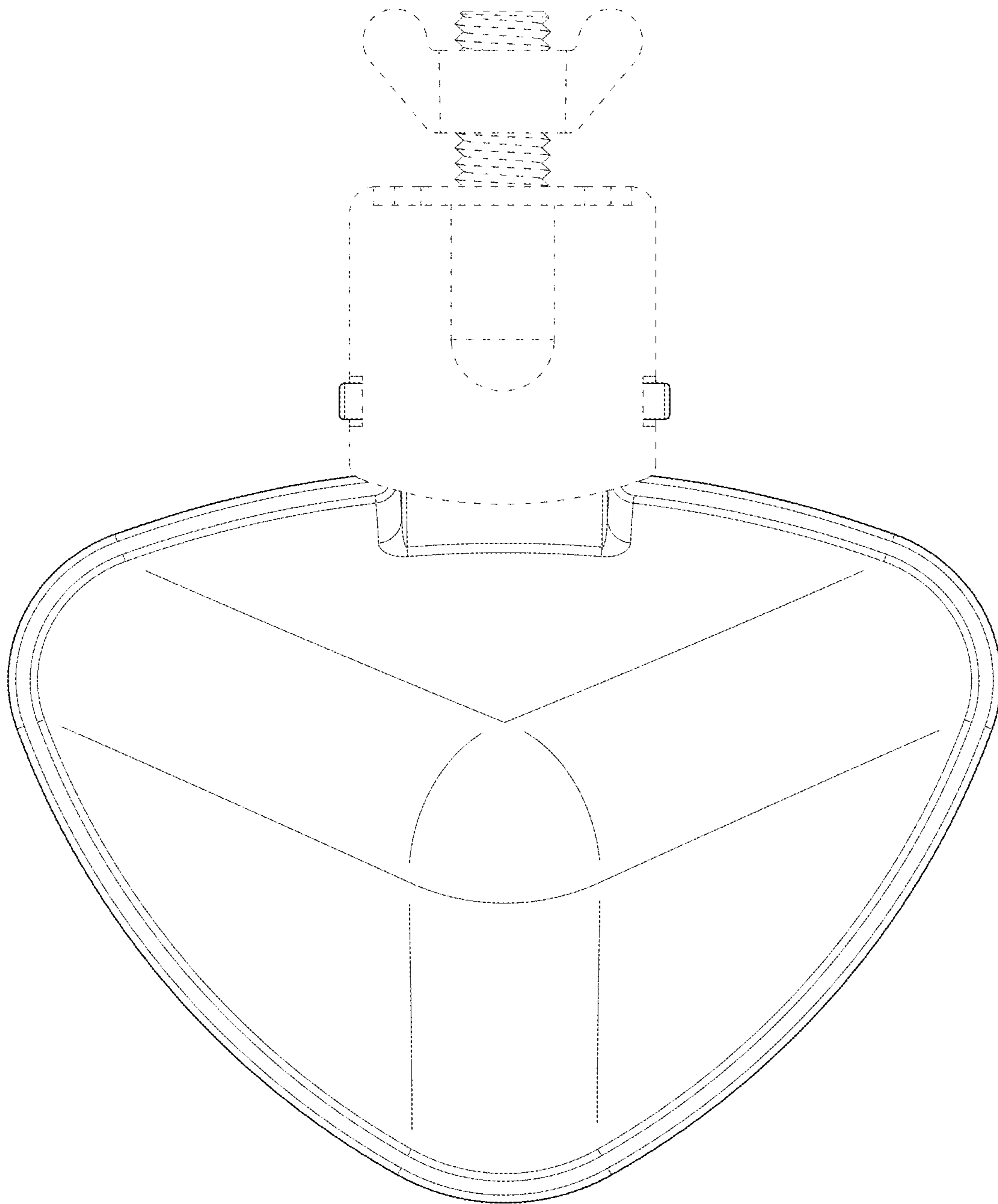


FIG. 3

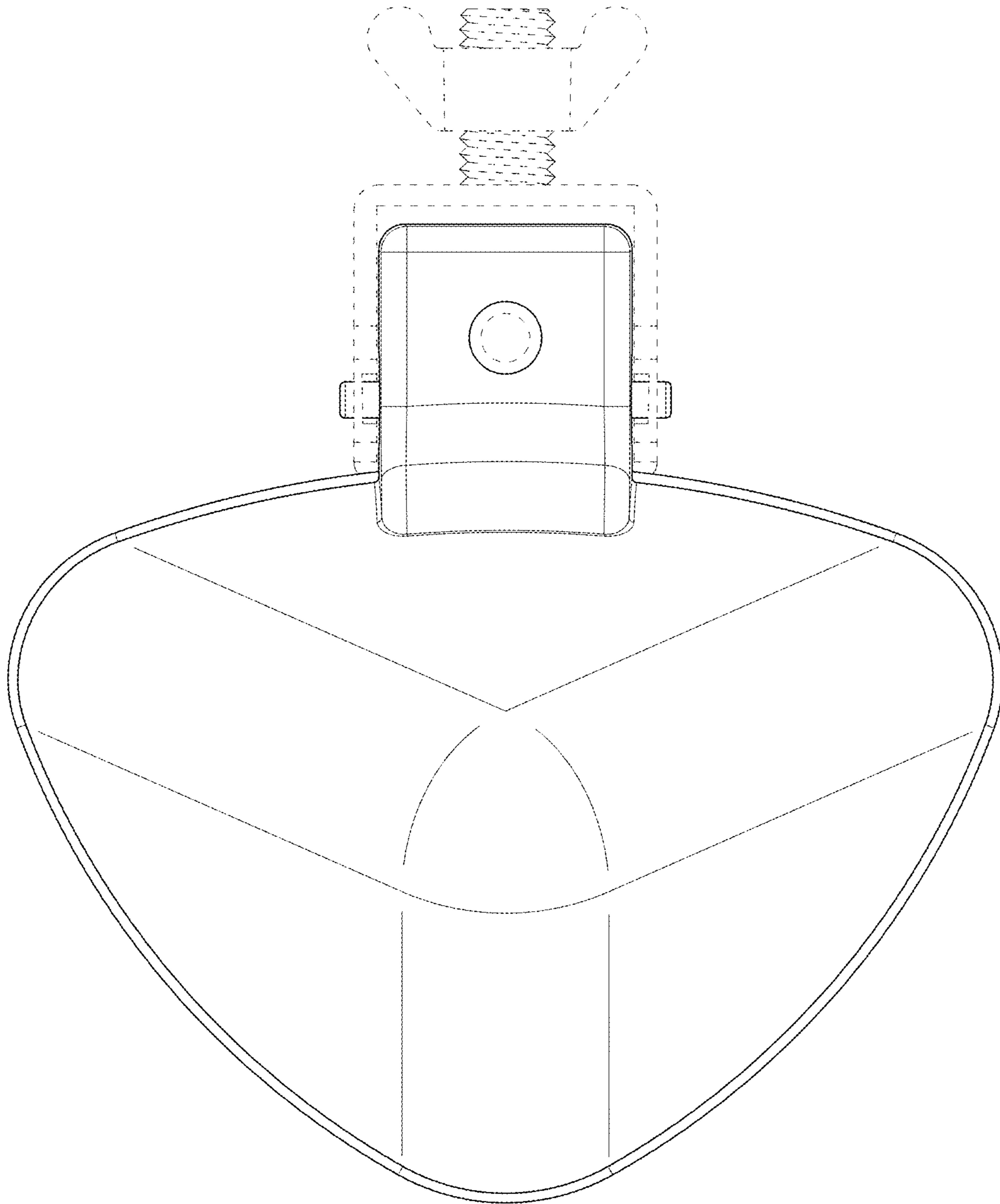


FIG. 4

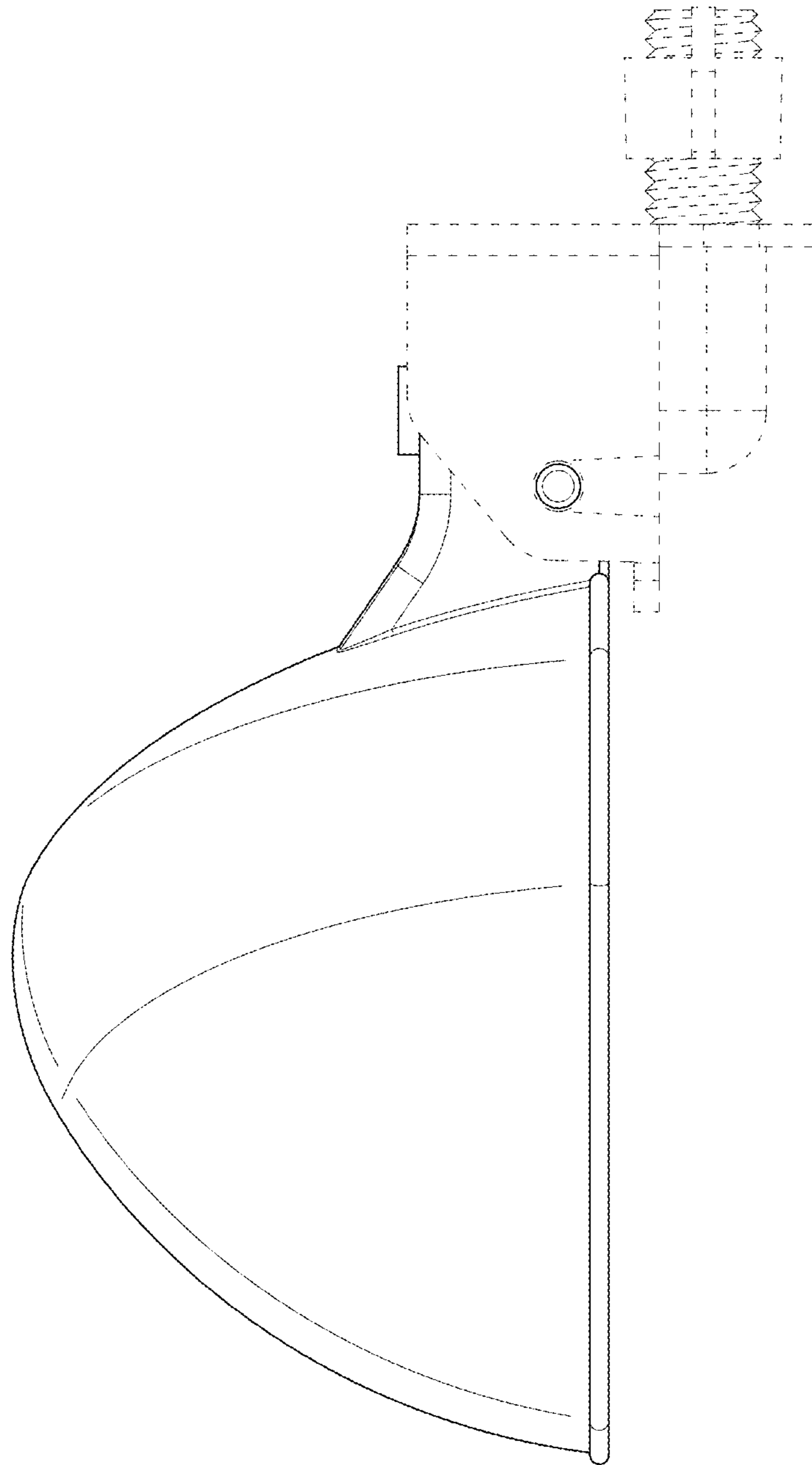


FIG. 5

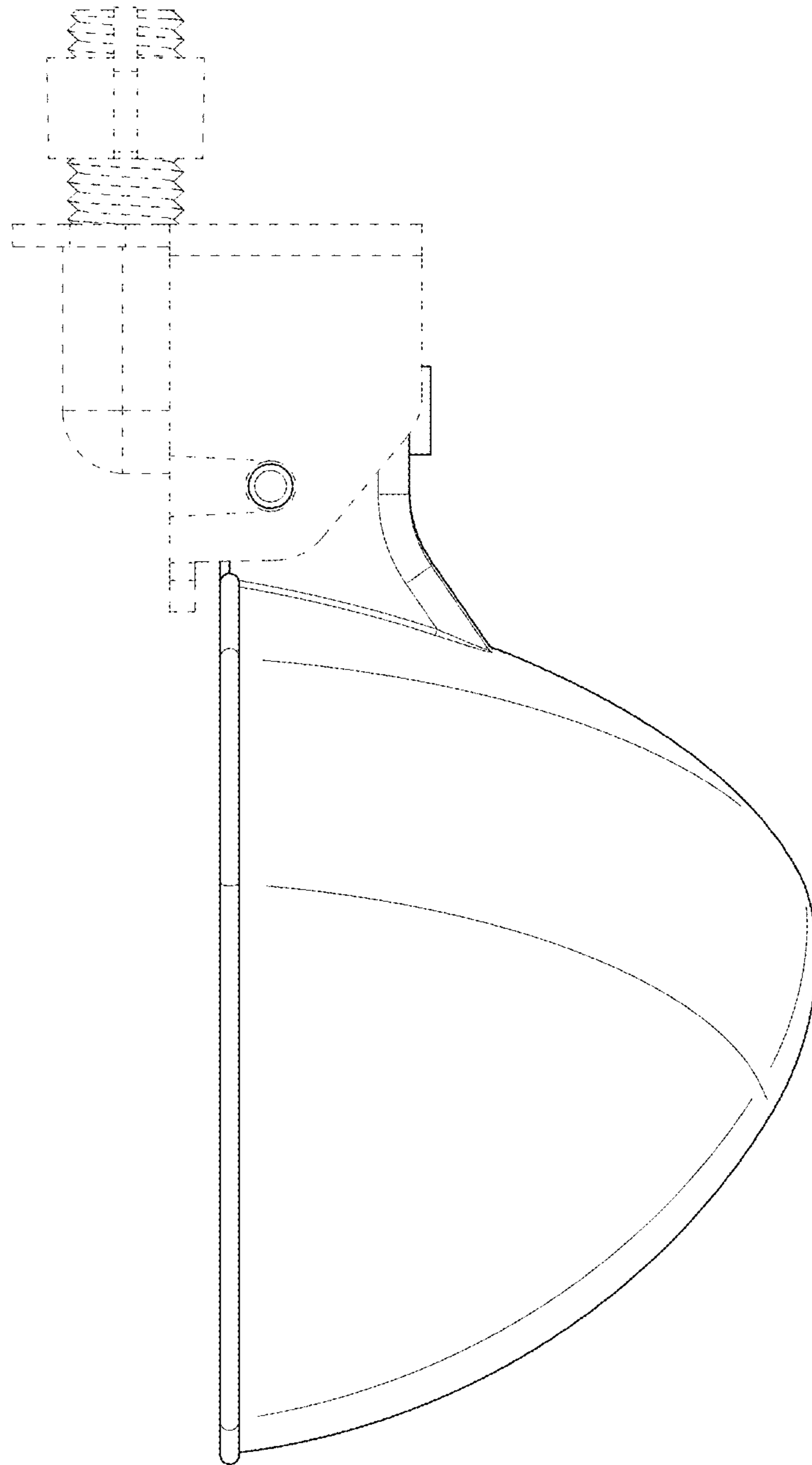


FIG. 6

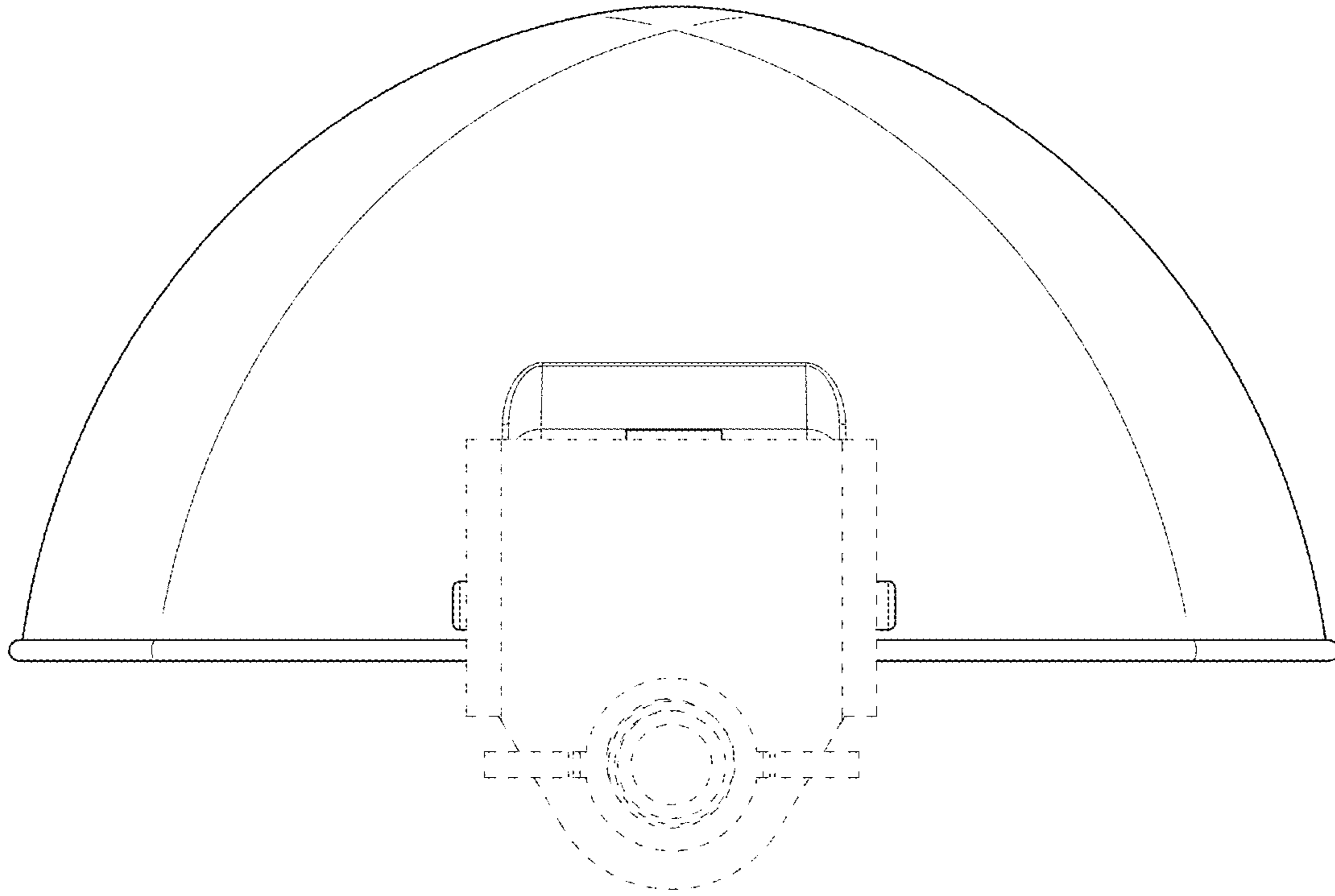


FIG. 7

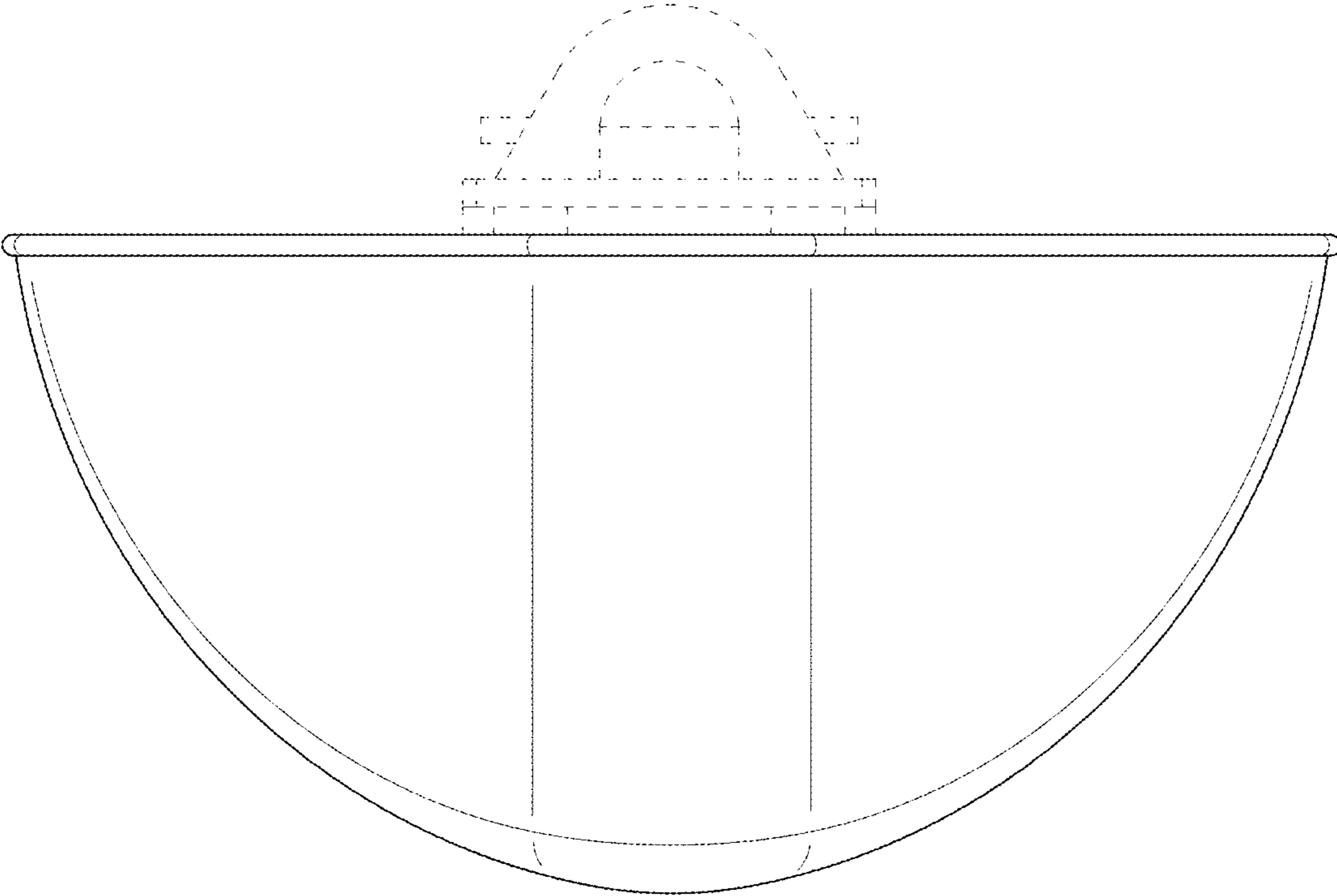


FIG. 8