



US00D984059S

(12) **United States Design Patent**
Cao

(10) **Patent No.:** **US D984,059 S**
(45) **Date of Patent:** **** Apr. 18, 2023**

(54) **SLOW FEEDER INSERT**

(71) Applicant: **Shenzhen Deliren Technology Co., Ltd.**, Shenzhen (CN)

(72) Inventor: **Guozhou Cao**, Hubei (CN)

(73) Assignee: **Shenzhen Deliren Technology Co., Ltd.**, Shenzhen (CN)

(**) Term: **15 Years**

(21) Appl. No.: **29/834,950**

(22) Filed: **Apr. 15, 2022**

(51) **LOC (14) Cl.** **30-03**

(52) **U.S. Cl.**
USPC **D30/129; D30/130**

(58) **Field of Classification Search**
USPC D30/121, 122, 129, 130, 131, 132, 133, D30/199; 119/51.01, 51.02, 51.03, 51.11, 119/51.12, 51.13, 51.5, 52.1, 57, 57.1, 119/57.92, 58, 60, 61.1, 61.5, 61.52, 119/61.54, 61.55, 61.57, 72, 72.5, 73, 74, 119/75, 78, 174
CPC A01K 5/00; A01K 5/0114; A01K 5/0121; A01K 5/0135; A01K 7/005; A01K 7/00; A01K 39/02; A01K 39/04; A01K 39/0213
See application file for complete search history.

(56) **References Cited**

U.S. PATENT DOCUMENTS

- 5,078,097 A * 1/1992 Chisholm A01K 5/0291
119/51.13
- D937,499 S 11/2021 Paucar
- D942,090 S 1/2022 Paucar
- D942,706 S * 2/2022 Mastic D30/129
- 2020/0022332 A1 * 1/2020 Nussy A01K 5/0114

OTHER PUBLICATIONS

- “Keegud Slow Feeder Dog Bowls” available Apr. 12, 2022, [online], [site visited]. Retrieved from Internet, URL:https://www.amazon.com/Keegud-Octopus-Cuttable-Compatible-Elevated/dp/B09XVCL7S1/ref=sr_1_1_sspa (Year: 2022).*
- “Dog Bowl Slow Feeder” available Jan. 18, 2022, [online], [site visited Sep. 10, 2022]. Retrieved from Internet, URL:https://www.amazon.com/Dog-Bowl-Slow-Feeder-Stability/dp/B09QMTY7L5/ref=sr_1_9?keywords=slow+feeder+insert&qid=1662834070&srefix=slow+feeder+in%2Caps%2C111&sr=8-9 (Year: 2022).*
- “Slow Feeder Dog Bowls Insert—Maiyouweng” available Feb. 16, 2022, [online], [site visited Sep. 10, 2022]. Retrieved from Internet, URL: https://www.amazon.com/Feeder-Insert-Cuttable-Suction-Suitable/dp/B09SKQ9H98/ref=sr_1_15 (Year: 2022).*
- “SandPeak Spiral Slow Feeder Dog Bowl insret” available Apr. 7, 2022, [online], [site visited]. Retrieved from Internet, URL:https://www.amazon.com/SandPeak-Teething-Suction-Suitable-Silicone/dp/B09XFJQR1G/ref=sr_1_17_sspa (Year: 2022).*

* cited by examiner

Primary Examiner — Katrina N Gonzalez

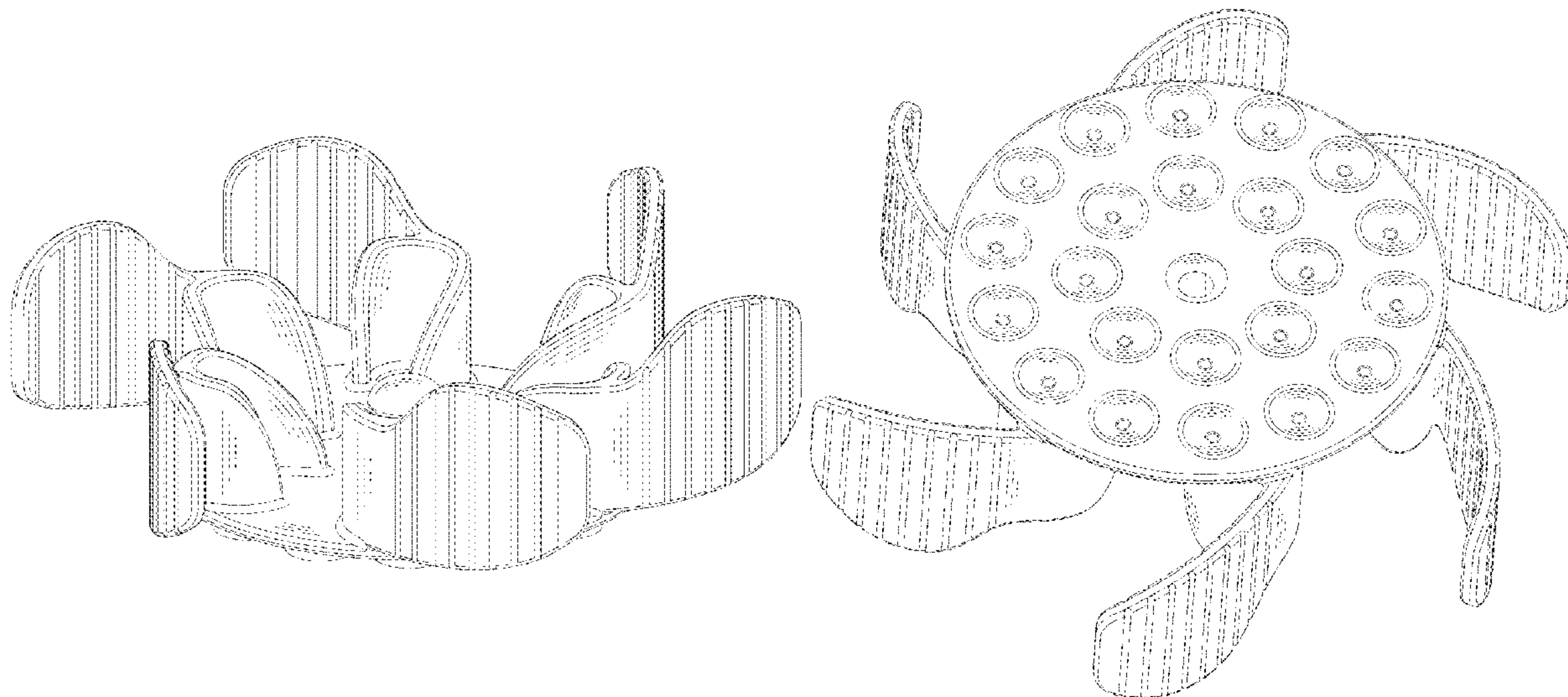
(57) **CLAIM**

The ornamental design for a slow feeder insert, substantially as shown and described.

DESCRIPTION

FIG. 1 is a front perspective view of a slow feeder insert, showing my new design;
 FIG. 2 is a rear perspective view thereof;
 FIG. 3 is a front elevation view thereof;
 FIG. 4 is a rear elevation view thereof;
 FIG. 5 is a left side elevation view thereof;
 FIG. 6 is a right side elevation view thereof;
 FIG. 7 is a top plan view thereof; and,
 FIG. 8 is a bottom plan view thereof.
 The broken lines illustrate portions of the slow feeder insert that form no part of the claimed design.

1 Claim, 8 Drawing Sheets



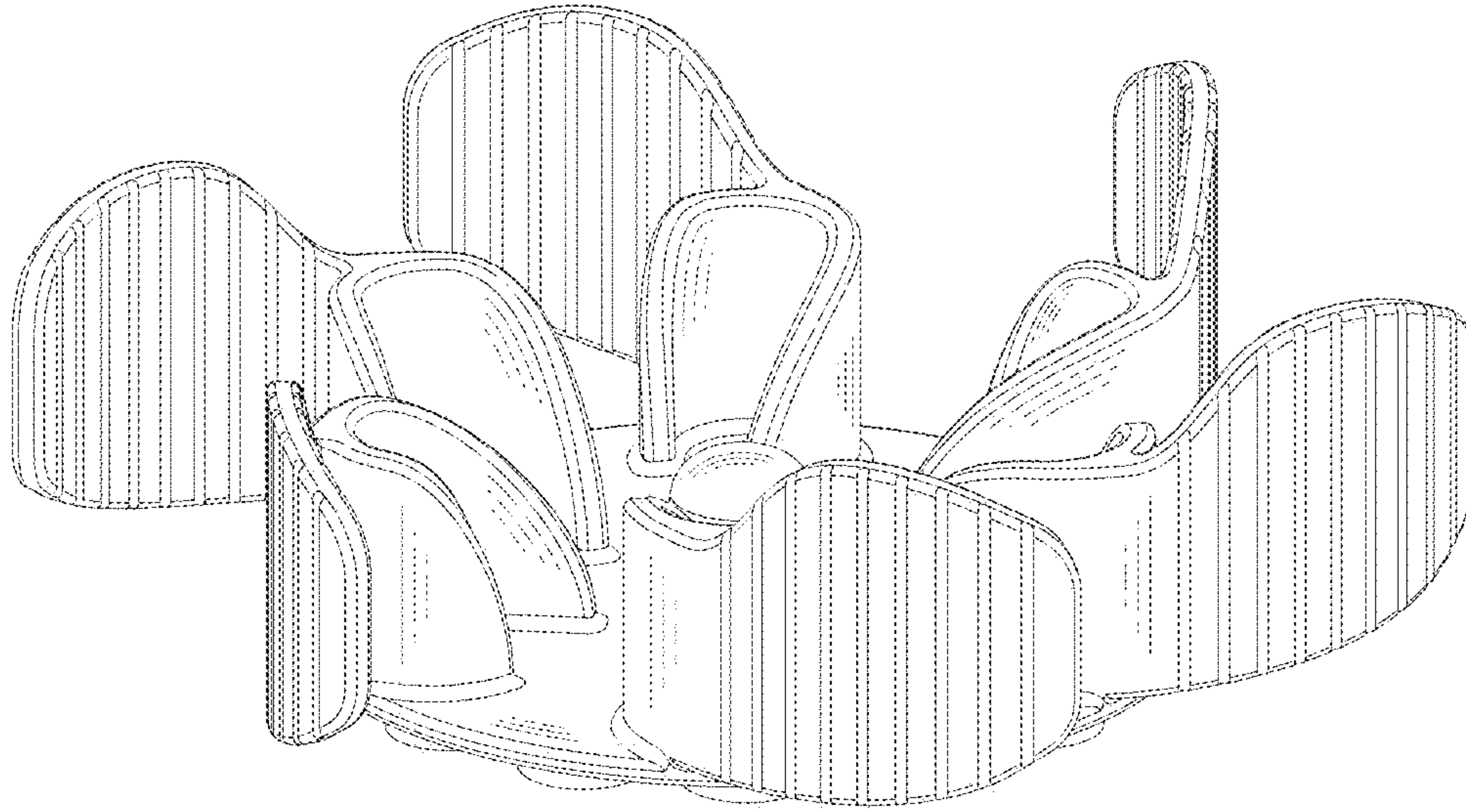


FIG. 1

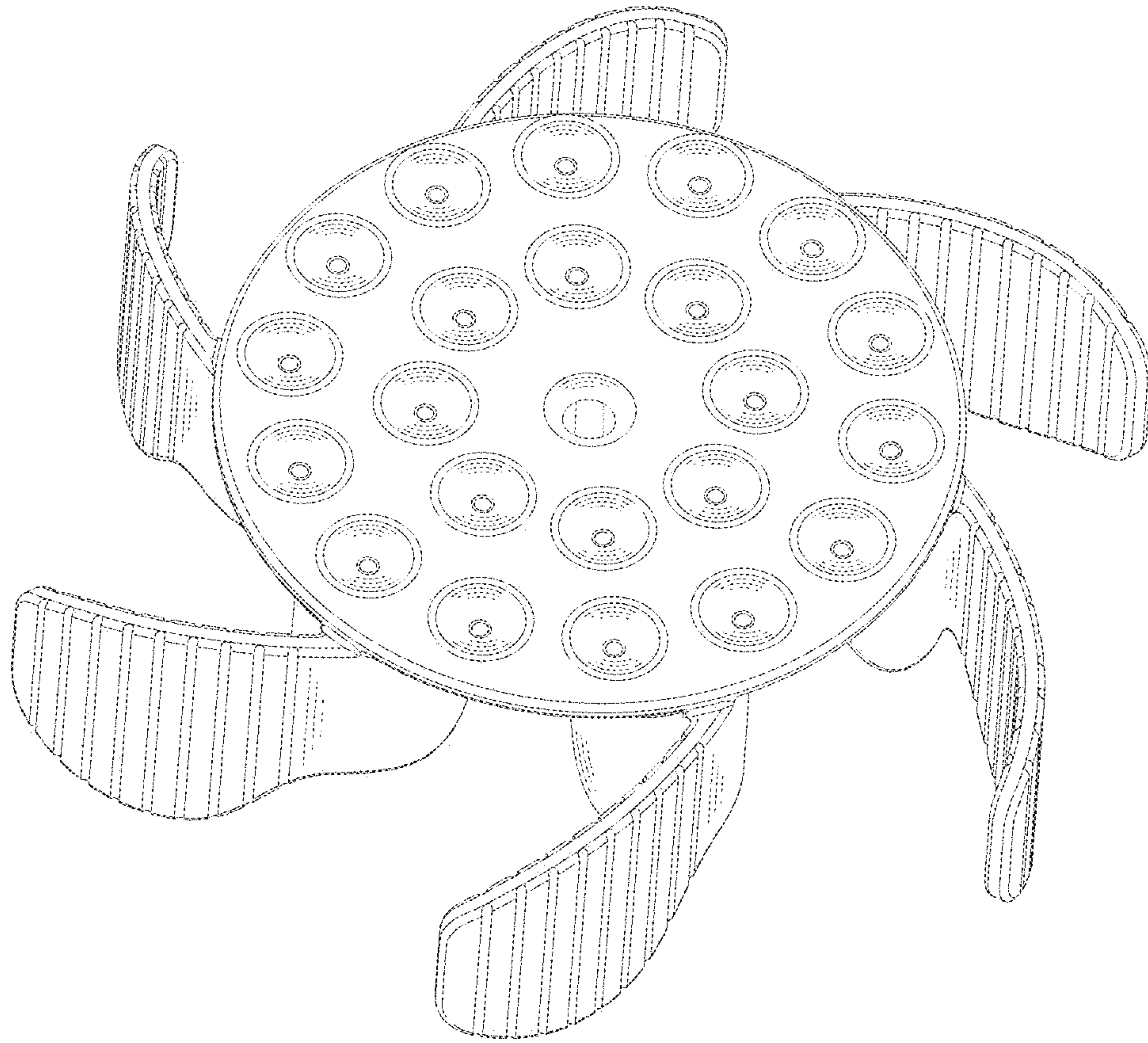


FIG. 2

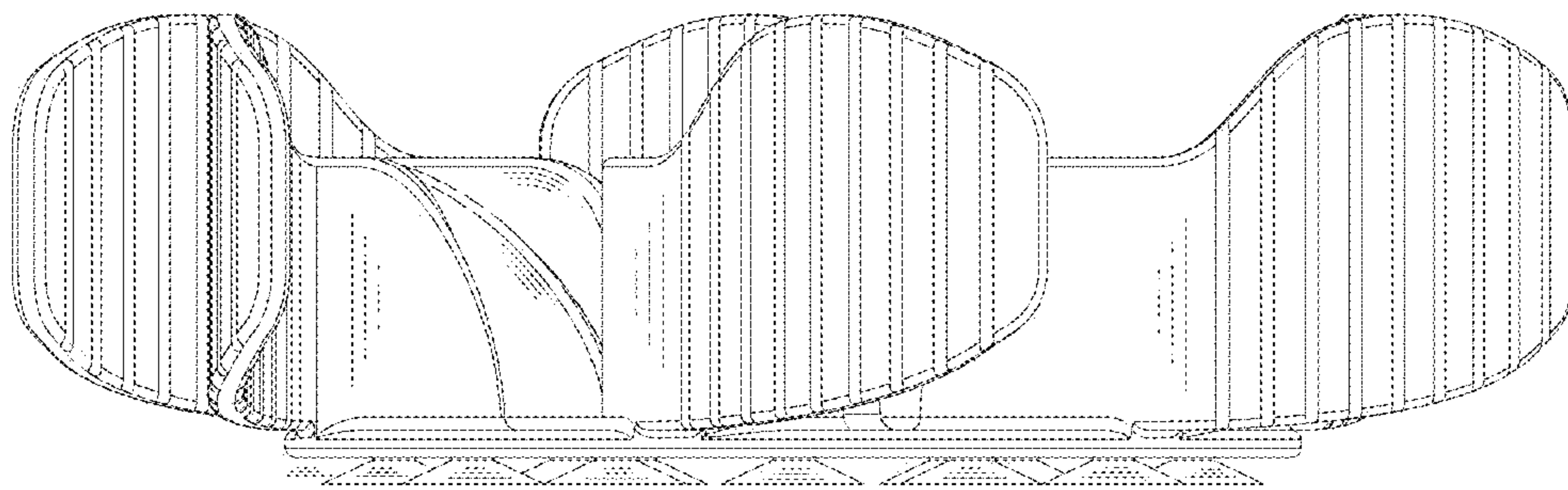


FIG. 3

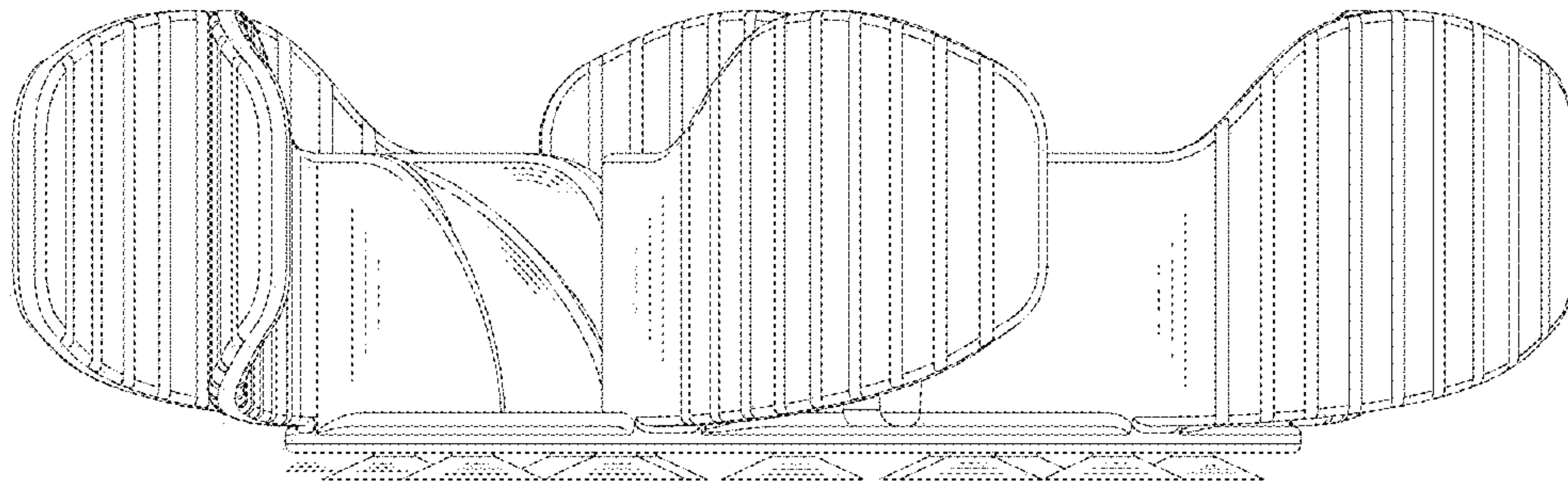


FIG. 4

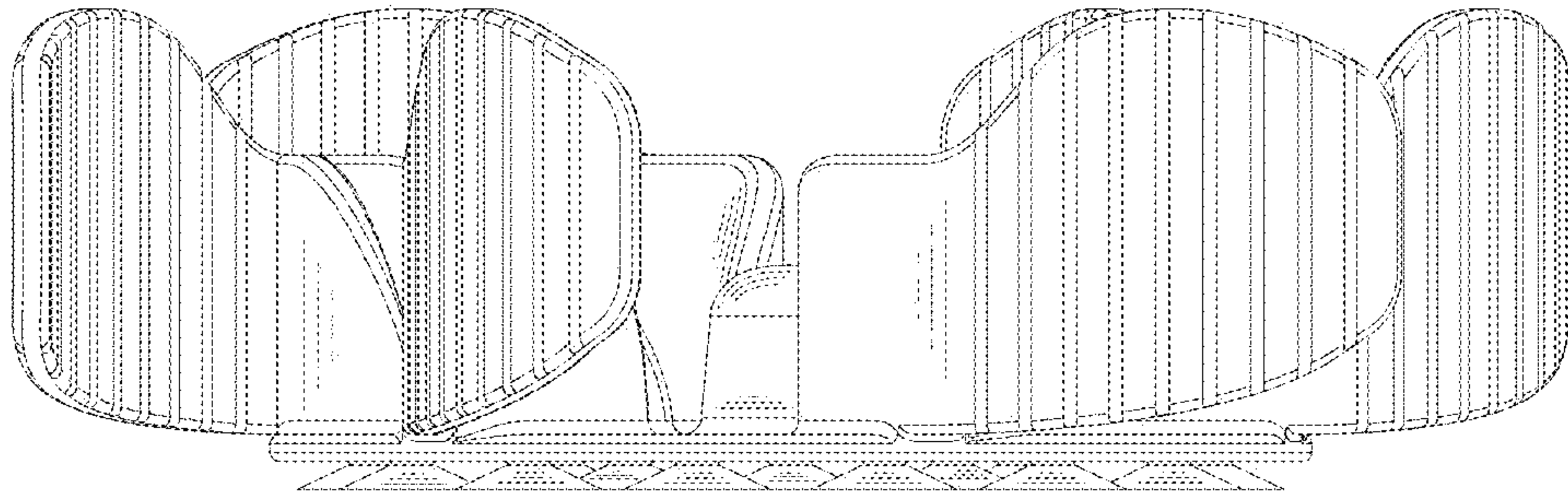


FIG. 5

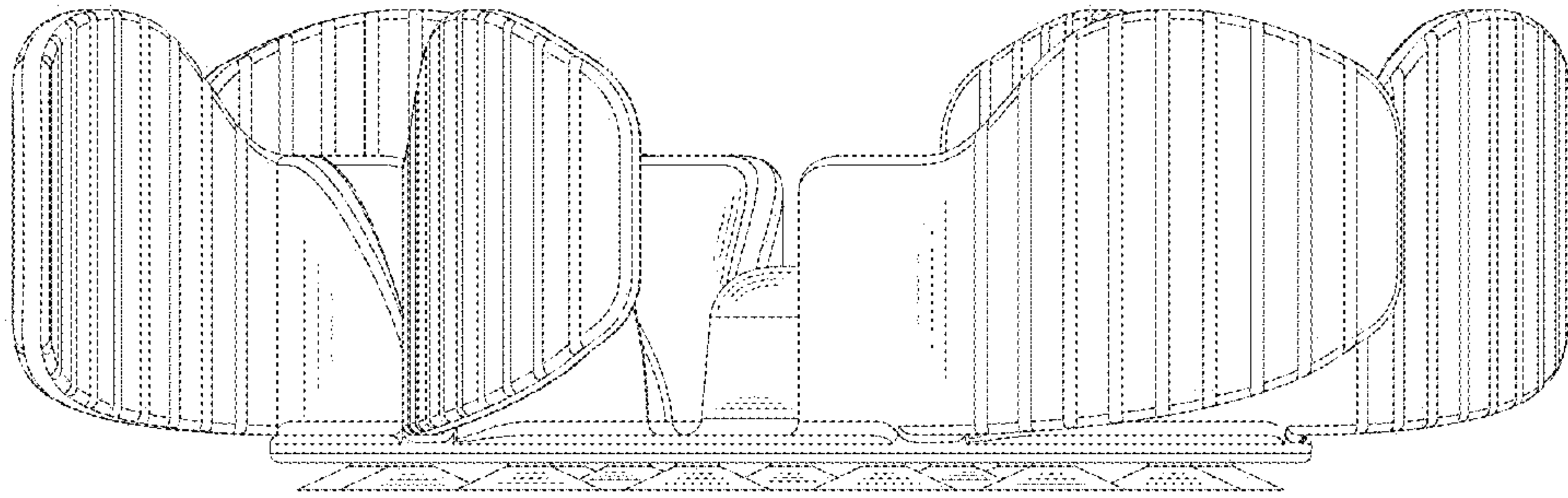


FIG. 6

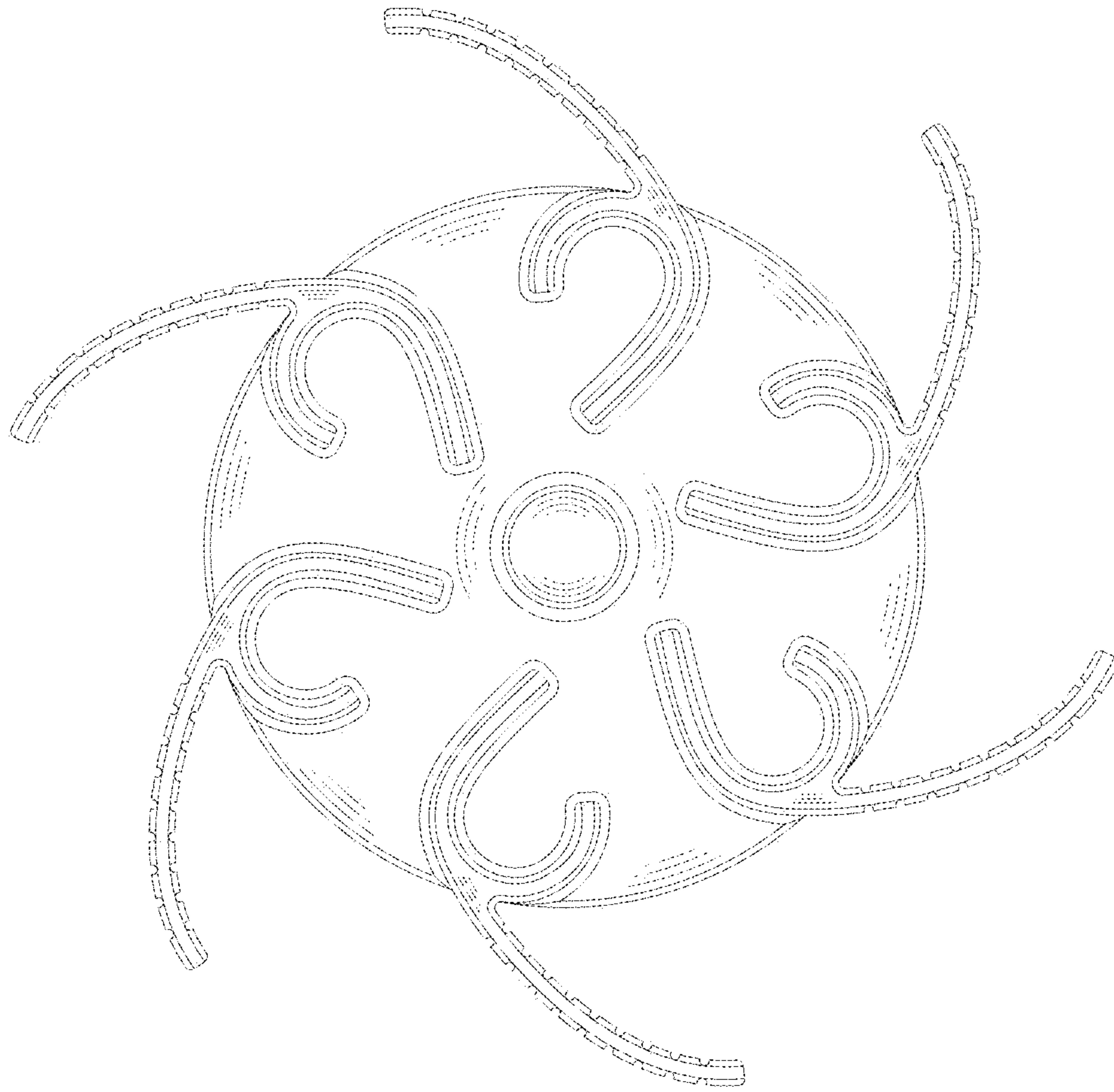


FIG. 7

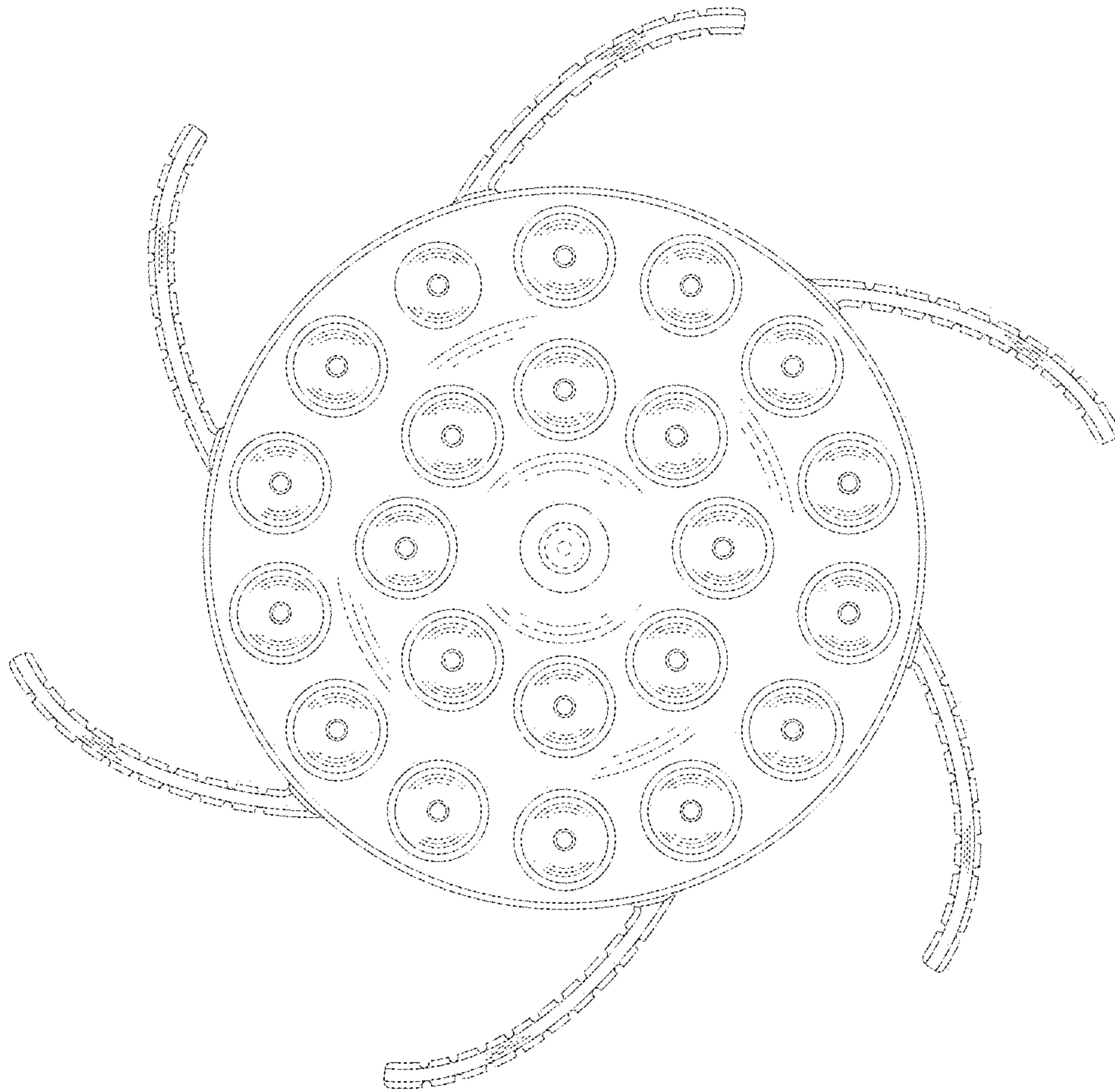


FIG. 8