



US00D984057S

(12) **United States Design Patent**  
**Zanelli**

(10) **Patent No.:** **US D984,057 S**  
(45) **Date of Patent:** **\*\* Apr. 18, 2023**

(54) **FACE SHIELD**

D256,396 S \* 8/1980 Fellhauer ..... D29/110  
D321,268 S 10/1991 Nix, Jr.  
D354,589 S 1/1995 Russell  
(Continued)

(71) Applicant: **Carolyn Anthoine Zanelli**, Los Angeles, CA (US)

(72) Inventor: **Carolyn Anthoine Zanelli**, Los Angeles, CA (US)

(\*\*) Term: **15 Years**

**FOREIGN PATENT DOCUMENTS**

GB 6099001 \* 8/2020  
JP D1691156 \* 7/2021  
WO WO-2022149457 A1 \* 7/2022

(21) Appl. No.: **29/788,964**

(22) Filed: **Aug. 19, 2021**

(51) **LOC (14) Cl.** ..... **29-02**

(52) **U.S. Cl.**  
USPC ..... **D29/110**

(58) **Field of Classification Search**  
USPC ..... D2/866; D24/110.1, 110.2, 110.3;  
D29/102, 103, 104, 105, 106, 107, 108,  
D29/109, 110, 111, 122  
CPC ..... A41D 13/11; A41D 13/1161; A41D  
13/1184; A42B 1/018; A42B 1/0181;  
A42B 3/18; A42B 3/20; A42B 3/22;  
A42B 3/225; A42B 3/226; A42B 3/227;  
A61F 9/025; A61F 9/027; A61F 9/029;  
A62B 18/02; A62B 18/084  
See application file for complete search history.

**OTHER PUBLICATIONS**

This Air Purifying Face-Shield . . . —Yanko Design, Publication Date Apr. 30, 2020, yankodesign.com, [online], [site visited Jan. 12, 2023], Available from internet URL <<https://www.yankodesign.com/2020/04/30/this-air-purifying-face-shield-creates-a-bubble-of-safety-around-its-wearer/>> (Year: 2020).\*  
(Continued)

*Primary Examiner* — Jeffrey D Asch  
*Assistant Examiner* — Jane Yoon  
(74) *Attorney, Agent, or Firm* — Dunlap Bennett & Ludwig, PLLC; Anna L. Kinney

(57) **CLAIM**

The ornamental design for a face shield, as shown and described.

**DESCRIPTION**

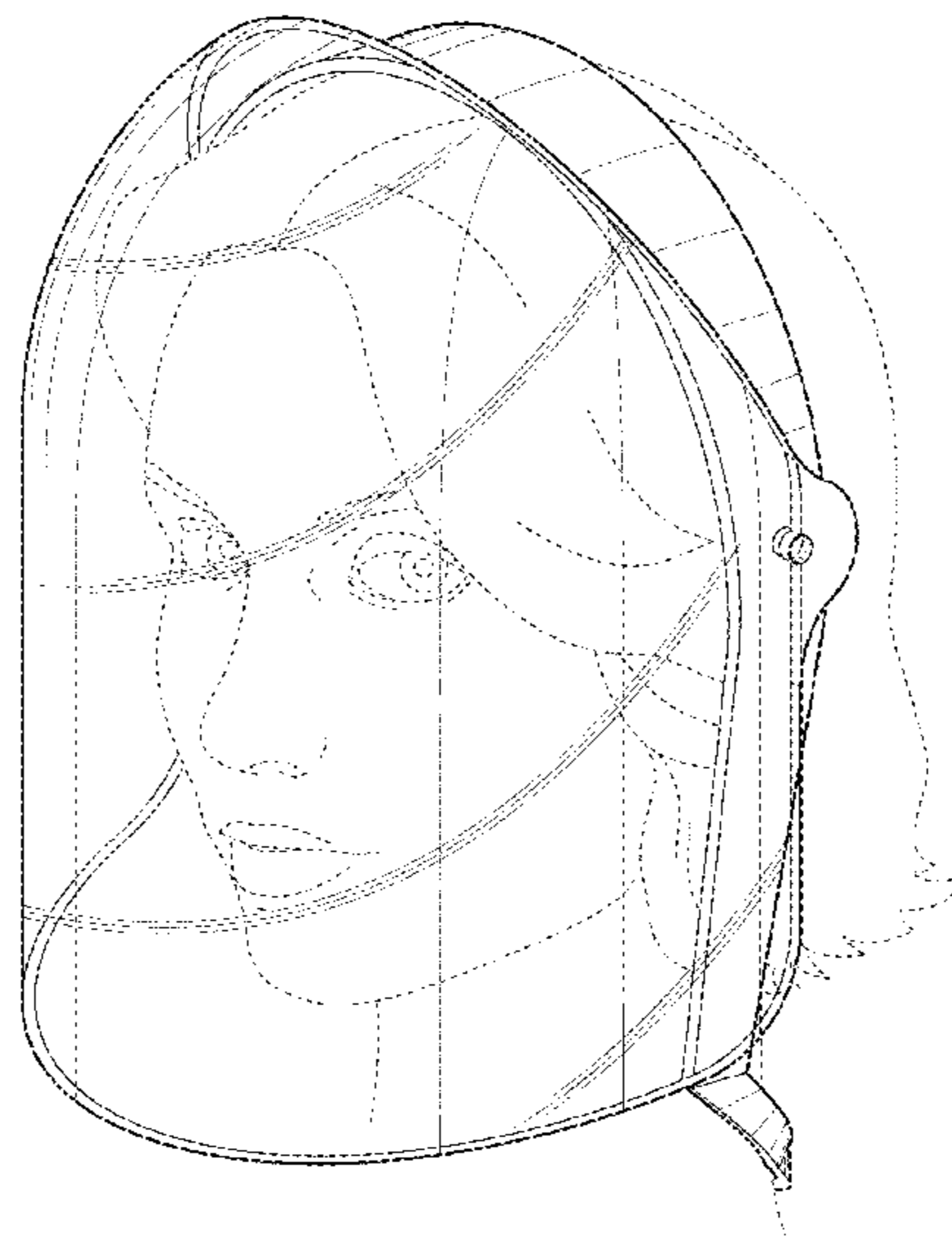
FIG. 1 is a front top right perspective view of a face shield, showing my new design;  
FIG. 2 is a right side elevation view thereof;  
FIG. 3 is a left side elevation view thereof;  
FIG. 4 is a front elevation view thereof;  
FIG. 5 is a rear elevation view thereof;  
FIG. 6 is a bottom plan view thereof;  
FIG. 7 is a top plan view thereof; and,  
FIG. 8 is another front top right perspective view thereof, shown in-use.  
The broken lines in FIG. 8 are environment and form no part of the claimed design.

(56) **References Cited**

**U.S. PATENT DOCUMENTS**

1,342,898 A \* 6/1920 De Rosier ..... A61F 9/02  
2/8.2  
2,249,734 A 7/1941 Tate  
2,339,280 A 1/1944 Madson  
2,798,222 A 7/1957 Evans  
2,829,374 A 4/1958 Malcom, Jr.  
D188,021 S 5/1960 Fisher  
2,963,708 A 12/1960 Herbine  
3,095,575 A 7/1963 Radov  
3,423,763 A \* 1/1969 Schwartz ..... A42B 1/046  
2/205

**1 Claim, 5 Drawing Sheets**



(56)

**References Cited**

U.S. PATENT DOCUMENTS

5,500,954 A \* 3/1996 Smith ..... A41D 13/11  
2/9  
D448,122 S \* 9/2001 Shichman ..... D24/110.3  
6,460,198 B1 \* 10/2002 Dilworth, Jr. .... A62B 17/006  
2/457  
D559,442 S \* 1/2008 Regelbrugge ..... D29/110  
D841,258 S \* 2/2019 Colbert ..... D29/109  
D882,182 S 4/2020 Fekete  
11,006,681 B1 \* 5/2021 Campos ..... A41D 13/1184  
2016/0030779 A1 \* 2/2016 Twu ..... A62B 18/02  
128/202.13  
2018/0056098 A1 \* 3/2018 Kaye ..... A41D 13/1161  
2019/0374796 A1 \* 12/2019 Delprat ..... A62B 7/14  
2020/0315325 A1 \* 10/2020 Truelove, III ..... A45F 3/10  
2021/0290989 A1 \* 9/2021 Hall ..... A62B 17/003  
2021/0315292 A1 \* 10/2021 Lai ..... A62B 18/02

2021/0330504 A1 \* 10/2021 Carrington, Jr. ... A41D 13/1184  
2021/0392972 A1 \* 12/2021 Parker ..... A41D 13/1184  
2021/0401090 A1 \* 12/2021 Swart ..... A41D 13/1161  
2022/0008759 A1 \* 1/2022 Piatt ..... A62B 23/025  
2022/0072343 A1 \* 3/2022 Chi ..... A41D 13/1107  
2022/0110386 A1 \* 4/2022 Cheung ..... A41D 13/1161  
2022/0218051 A1 \* 7/2022 Saleh ..... G01K 3/005  
2022/0296939 A1 \* 9/2022 Hall ..... A41D 13/1153

OTHER PUBLICATIONS

Stuck Design's X-Hood Face Shield . . . —urdesign, Publication Date May 18, 2020, urdesignmag.com, [online], [site visited Jan. 12, 2023, Available from internet URL <<https://www.urdesignmag.com/design/2020/05/18/x-hood-face-shield-stuck-design/>> (Year: 2020).\*

\* cited by examiner

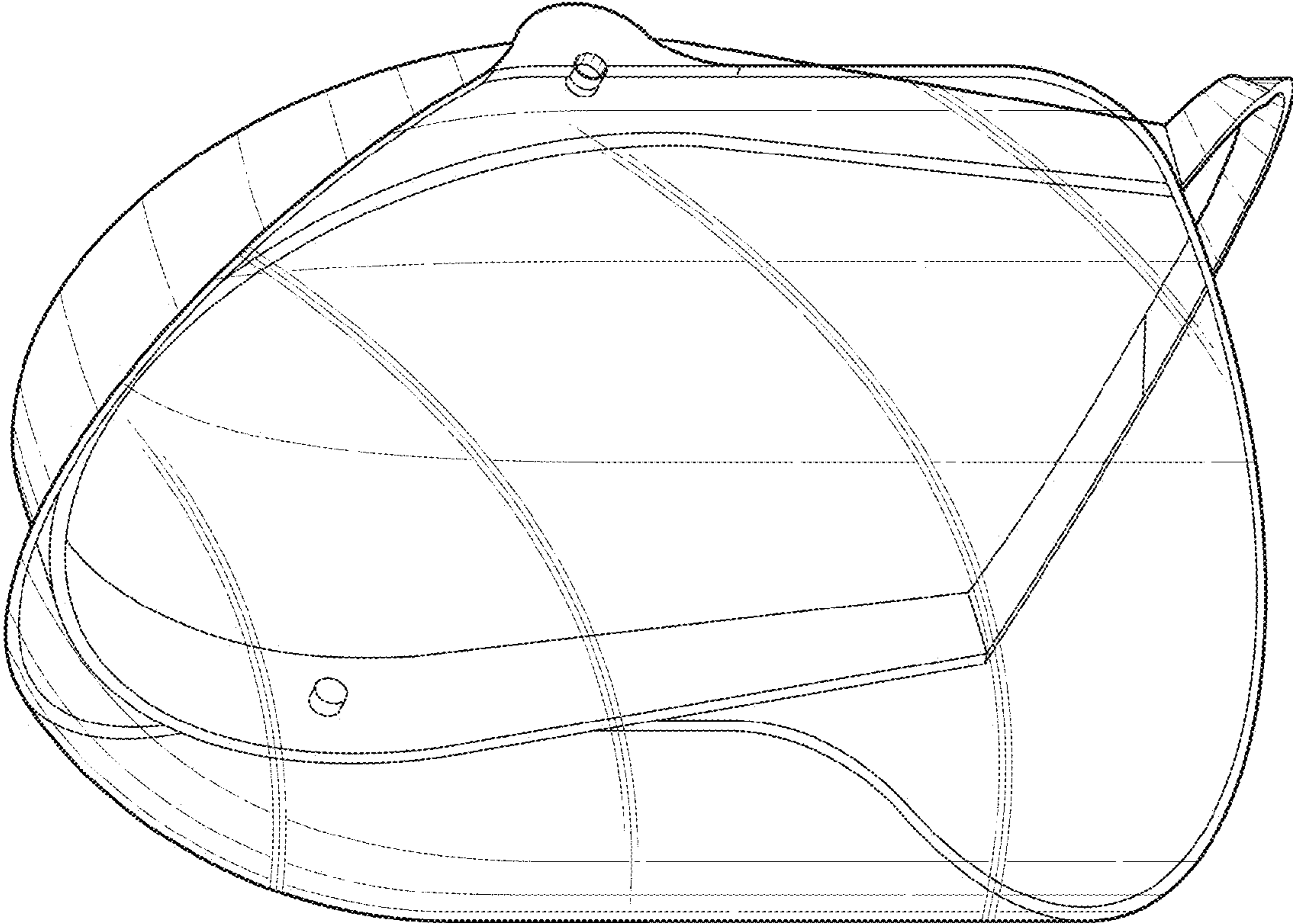


FIG. 1

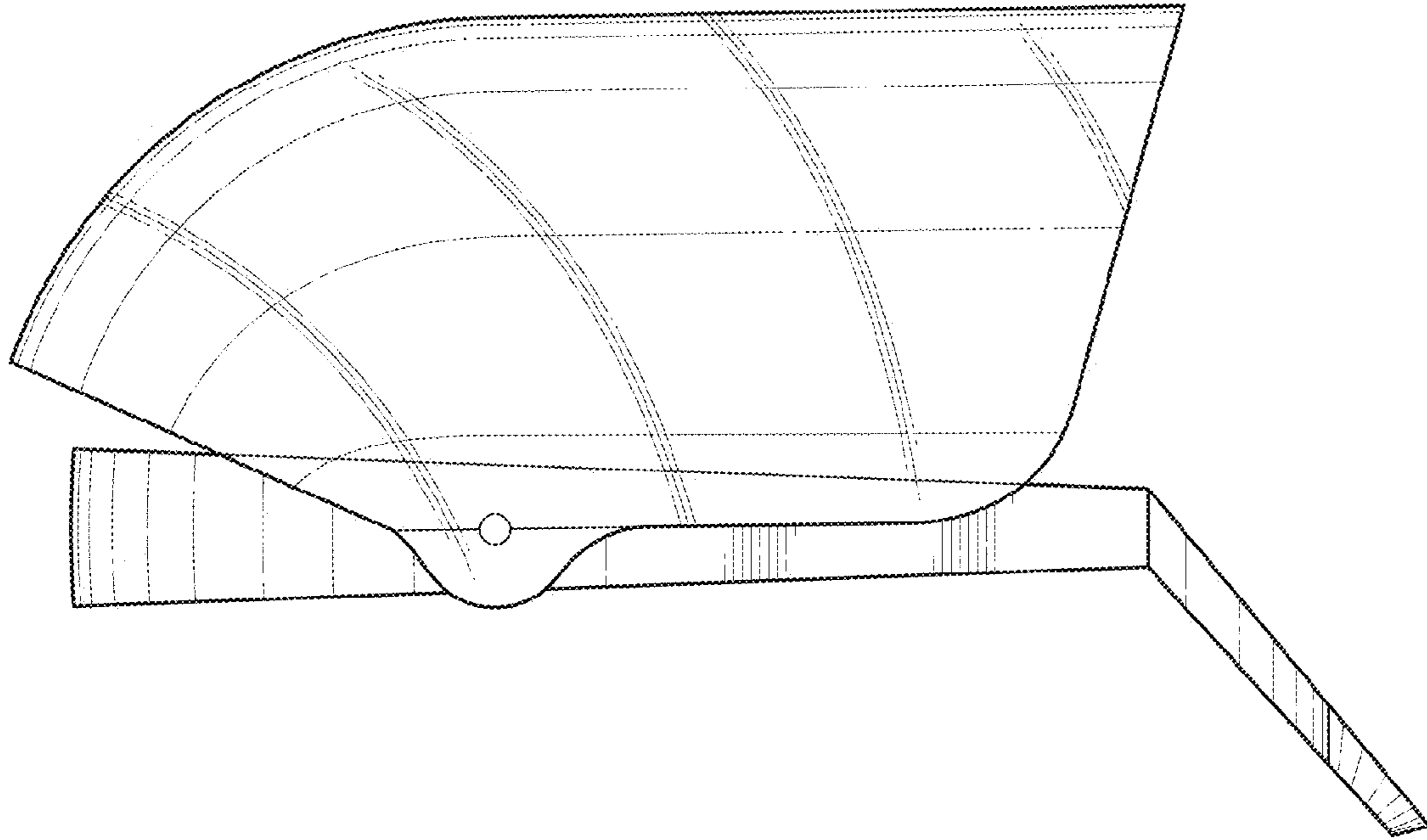


FIG. 3

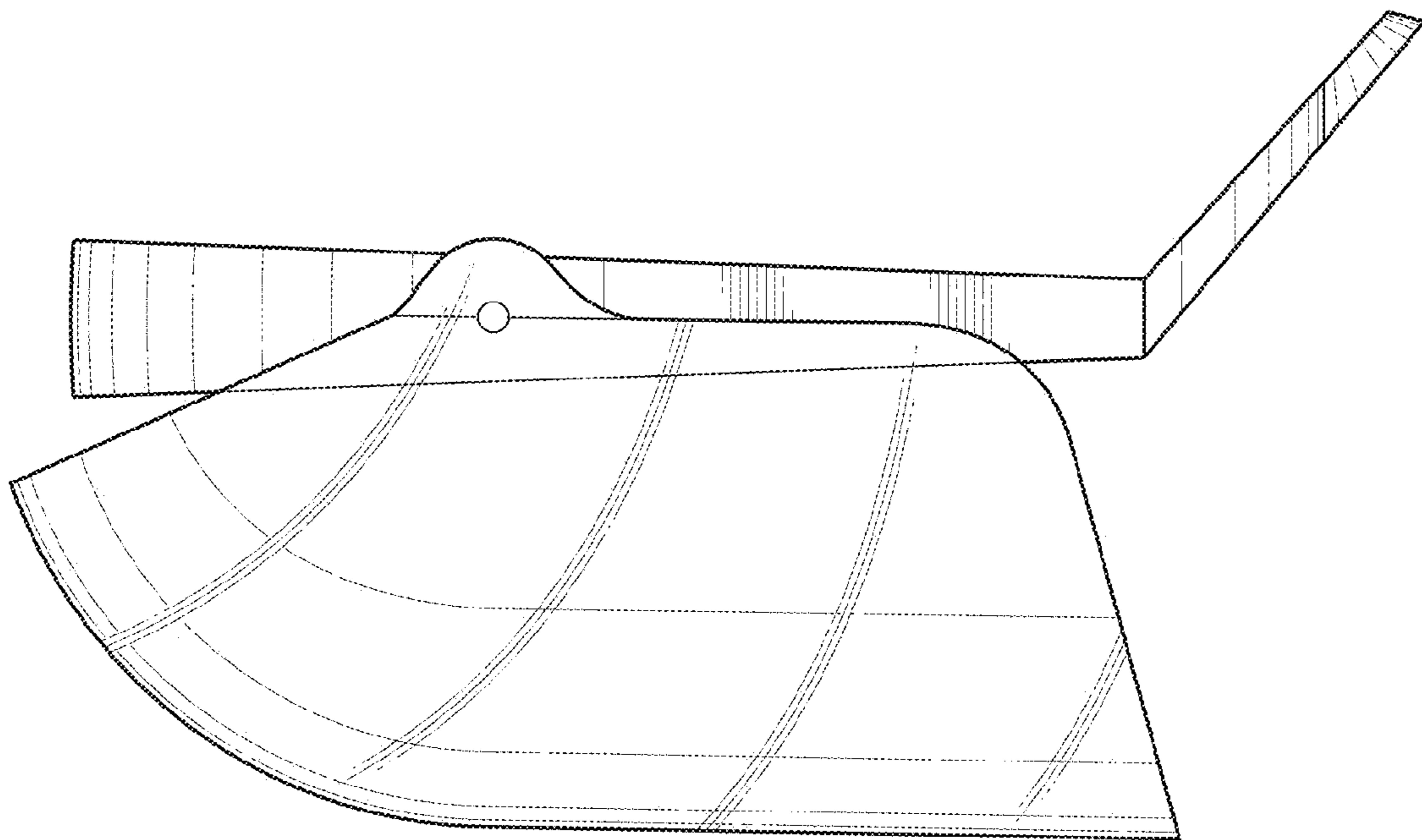


FIG. 2

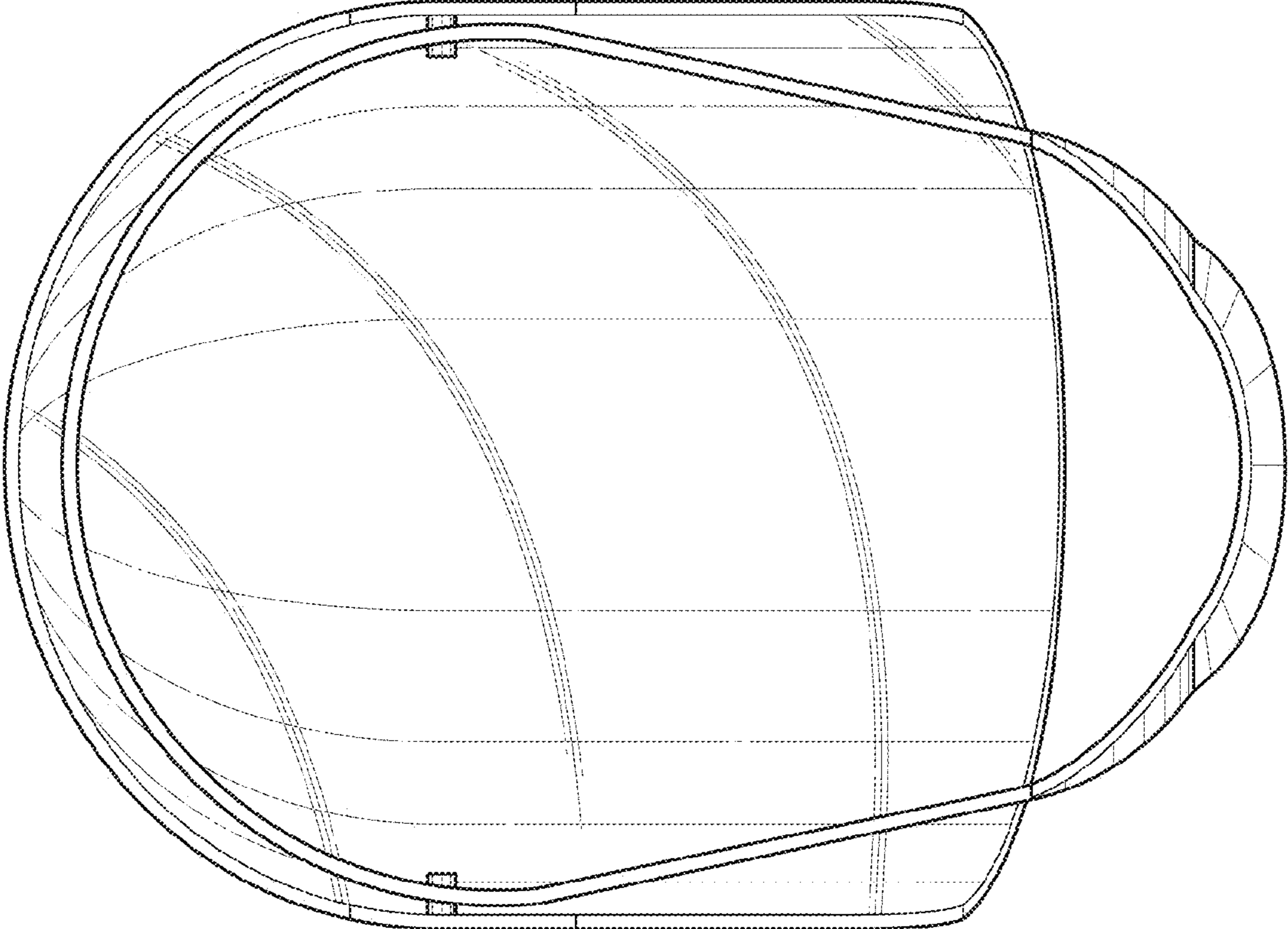


FIG. 5

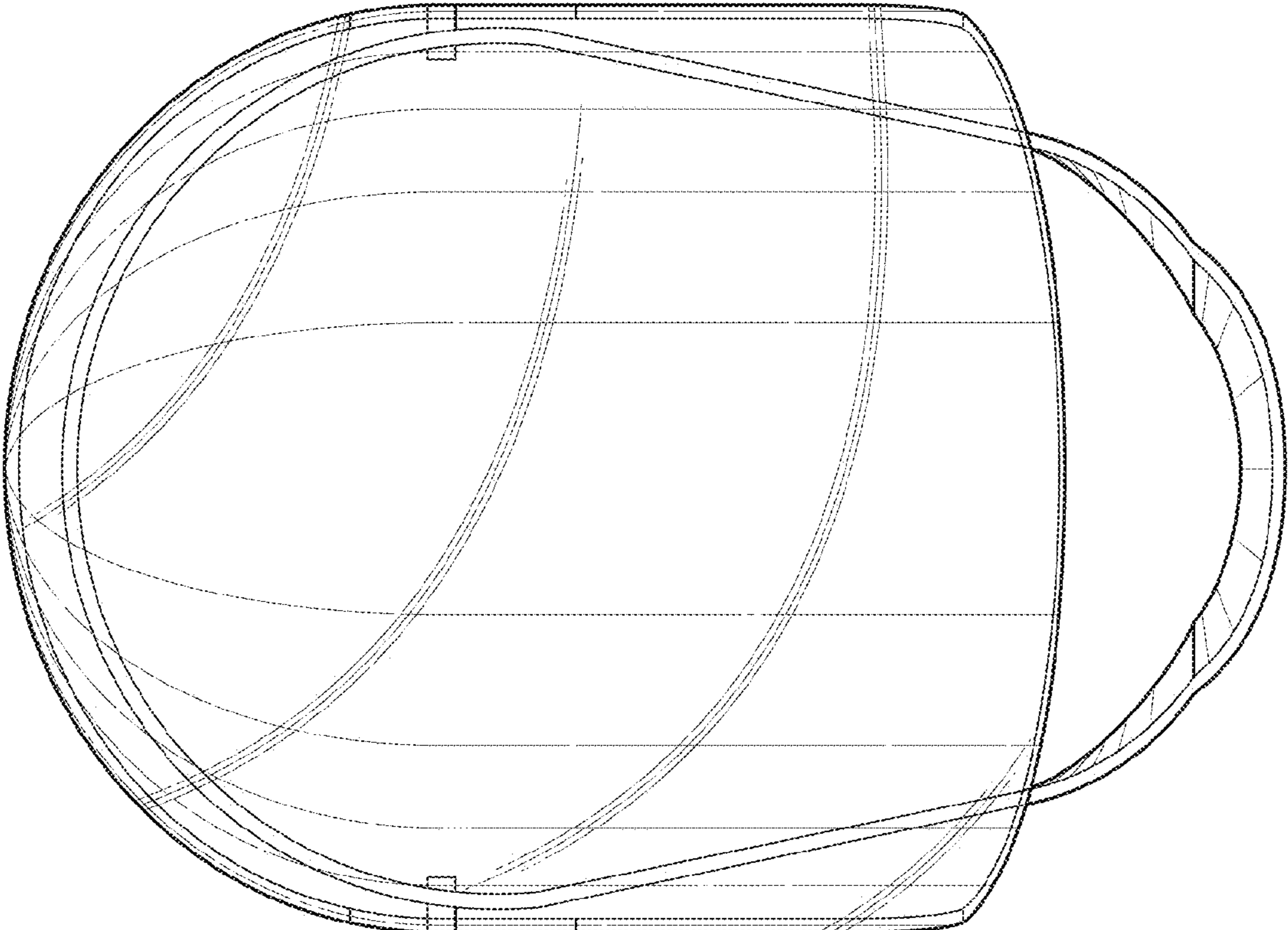


FIG. 4

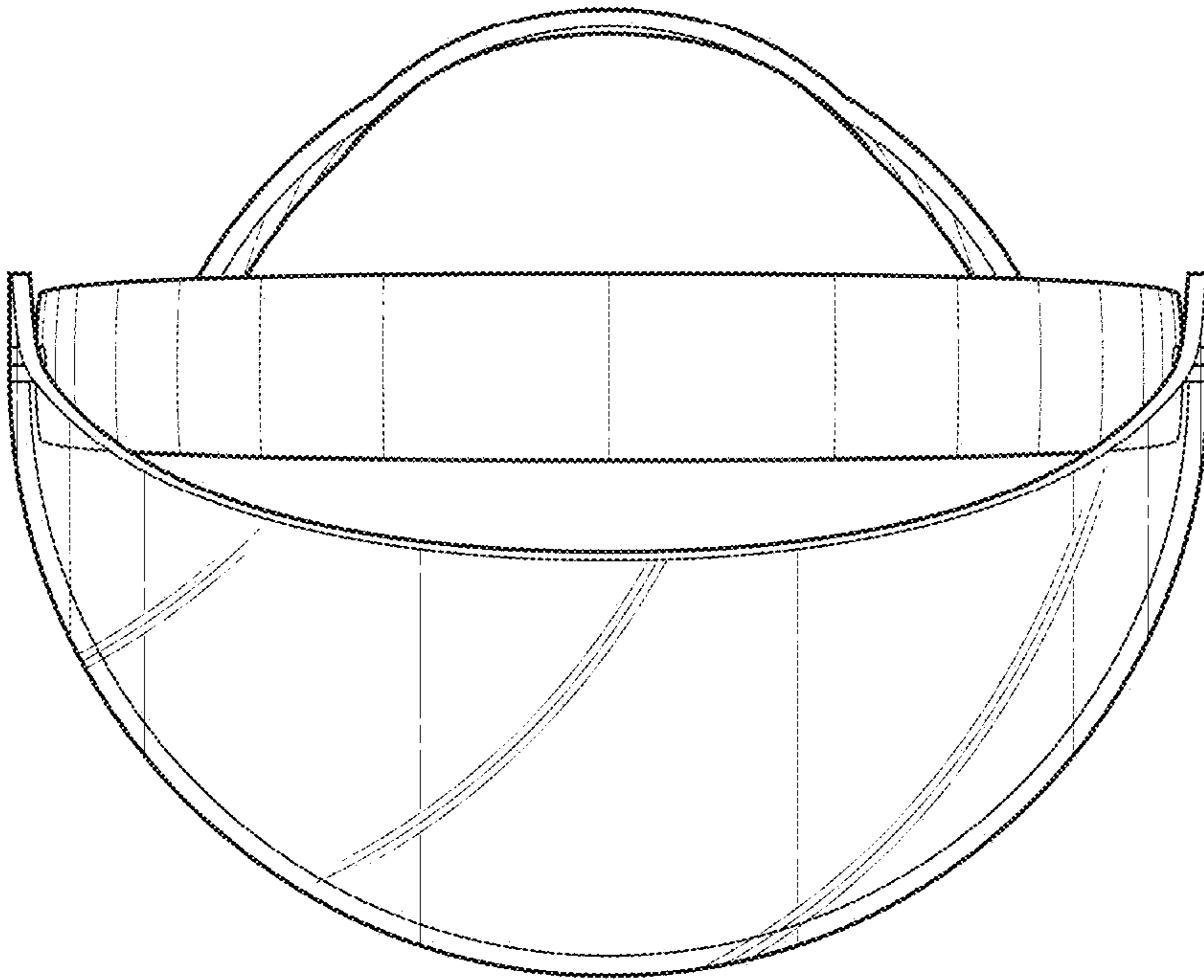


FIG. 7

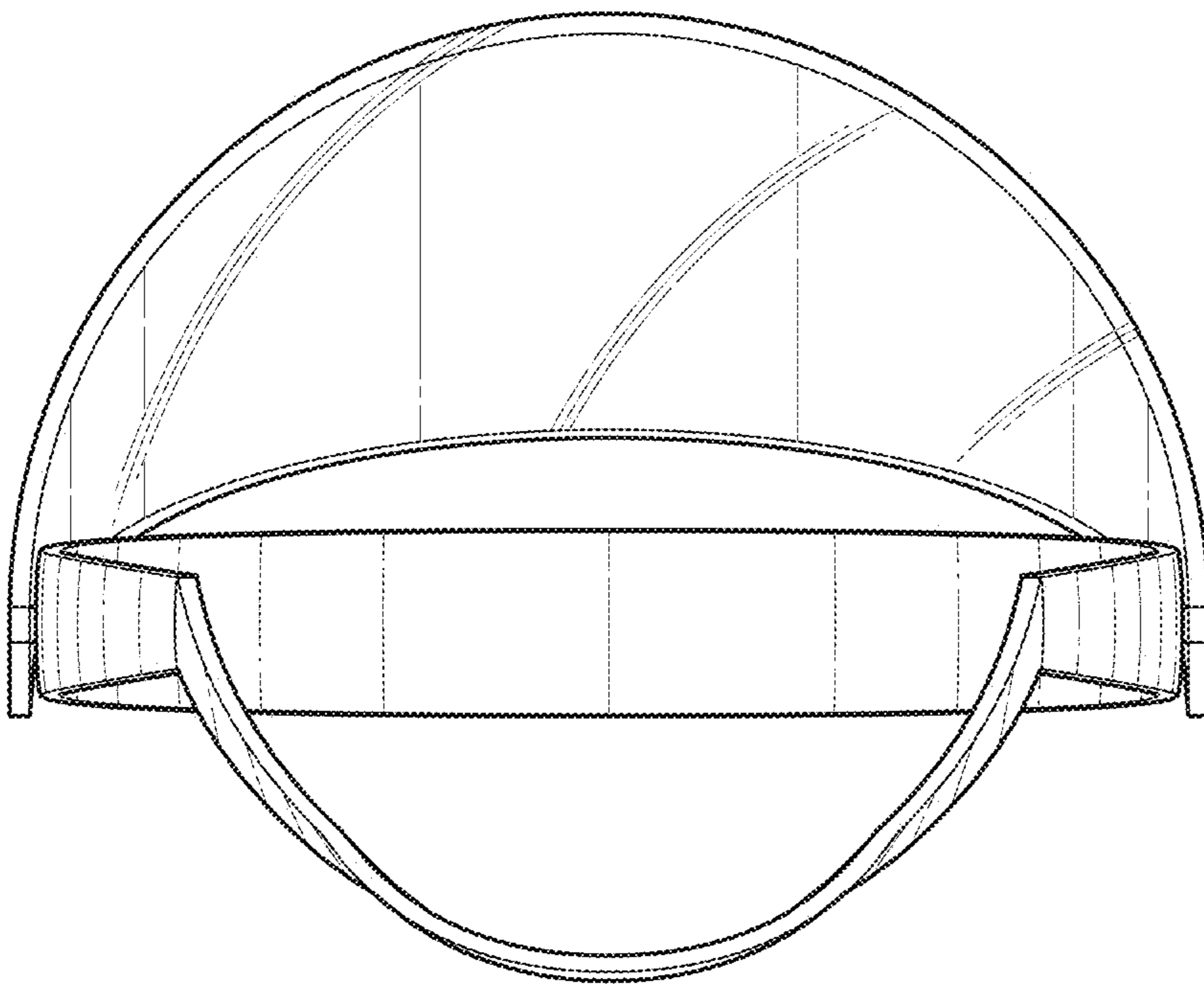


FIG. 6

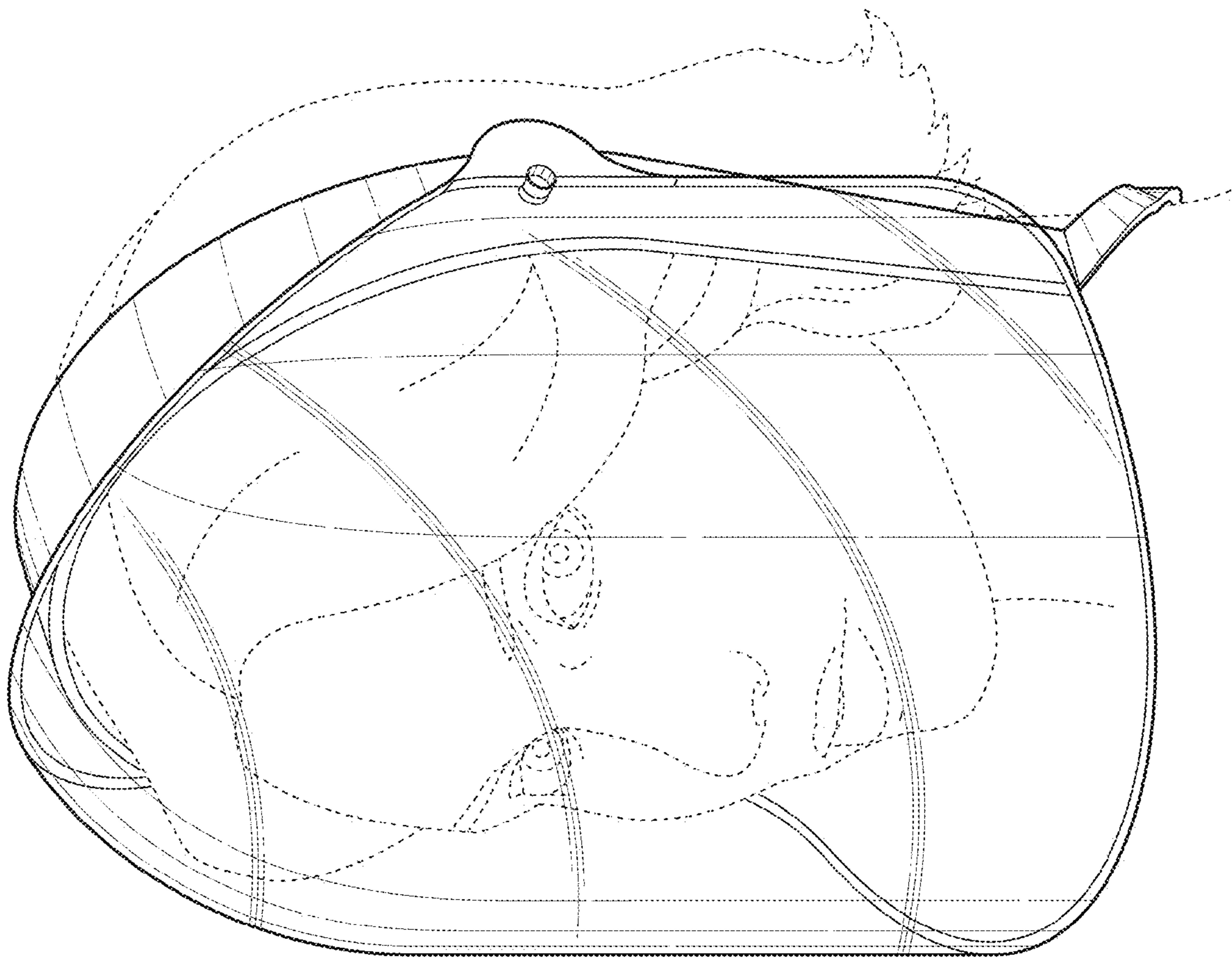


FIG. 8