



US00D984056S

(12) **United States Design Patent**
Carter-Robinson

(10) **Patent No.:** **US D984,056 S**

(45) **Date of Patent:** **** Apr. 18, 2023**

(54) **HAT AND WIG STAND**

(71) Applicant: **Chenita Carter-Robinson**, Miami, FL
(US)

(72) Inventor: **Chenita Carter-Robinson**, Miami, FL
(US)

(**) Term: **15 Years**

(21) Appl. No.: **29/785,412**

(22) Filed: **May 25, 2021**

(51) **LOC (14) Cl.** **28-99**

(52) **U.S. Cl.**
USPC **D28/93**

(58) **Field of Classification Search**
USPC D6/300, 315, 317, 320, 512, 552, 553;
D28/92, 93, 99; D20/42
CPC A45D 8/00; A45D 8/004; A45D 8/006;
A45D 44/00; A45D 44/14; A47F 5/04;
A47F 5/05; A47F 7/00; A47F 7/06; A47F
7/065; A47G 25/00; A47G 25/10
See application file for complete search history.

(56) **References Cited**

U.S. PATENT DOCUMENTS

- D37,219 S * 11/1904 Benza D6/300
- D38,780 S * 9/1907 Beach D6/300
- 3,615,046 A * 10/1971 Bashara A45D 44/14
223/66
- D351,745 S * 10/1994 Seifert D6/682.6
- 5,895,085 A * 4/1999 Miller, Jr. A47F 7/06
294/143
- D649,714 S * 11/2011 Key A47F 7/06
D28/93
- 8,950,591 B1 * 2/2015 McDowell A45D 44/14
211/13.1
- D904,769 S * 12/2020 Bailey D6/300
- D907,298 S * 1/2021 Williams A45D 44/14
D28/93
- D930,907 S * 9/2021 Williams D28/93

- D931,542 S * 9/2021 Williams D28/93
- D950,989 S * 5/2022 Hunt A45D 44/04
D28/93
- 2004/0020507 A1 * 2/2004 Johnson A45D 44/04
132/223

OTHER PUBLICATIONS

MyGift Antique Style Dome Shaped Brown Metal Tabletop Hat Rack, posted Jan. 29, 2016 [online], [retrieved Nov. 8, 2022]. Retrieved from internet, <https://www.amazon.co.uk/MyGift-Antique-Tabletop-Storage-Display/dp/B013H5WX86/> (Year: 2016).*
Dreamlover Wig Stand, Wig Head for Short Wigs, 2 Pack, posted Mar. 13, 2018 [online], [retrieved Nov. 8, 2022]. Retrieved from internet, <https://www.amazon.co.uk/Dreamlover-Portable-Collapsible-Durable-Display/dp/B0793PSN8Y/?th=1> (Year: 2018).*

(Continued)

Primary Examiner — Alison M Ofstun
Assistant Examiner — Evin Franklin George Ershock
(74) *Attorney, Agent, or Firm* — Garvey Adam LLP;
Joshua A. Schaul

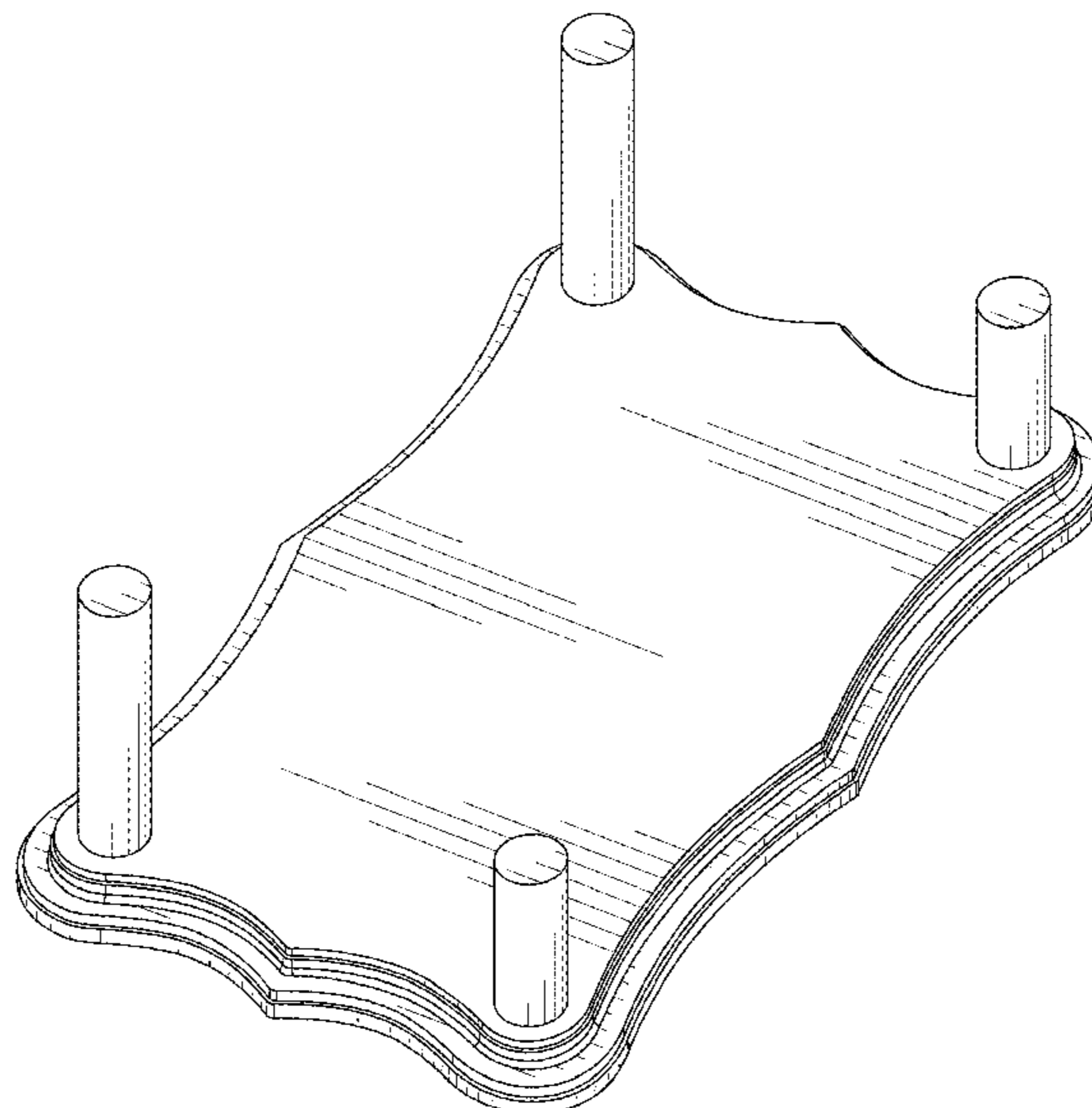
(57) **CLAIM**

The ornamental design for a hat and wig stand, as shown and described.

DESCRIPTION

FIG. 1 illustrates a perspective view of the claimed design for hat and wig stand;
FIG. 2 illustrates a top view thereof;
FIG. 3 illustrates a bottom view thereof;
FIG. 4 illustrates a first side view thereof;
FIG. 5 illustrates a second side view thereof;
FIG. 6 illustrates a back view thereof; and,
FIG. 7 illustrates a front view thereof.

1 Claim, 4 Drawing Sheets



(56)

References Cited

OTHER PUBLICATIONS

ZiQE Plastic DIY Wig Stand , posted Aug. 1, 2018 [online], [retrieved Nov. 8, 2022]. Retrieved from internet, [https://www.amazon.co.uk/ZiQE-Plastic-Portable-Folding-Display/dp/B07G75KVYD/\(Year: 2018\).*](https://www.amazon.co.uk/ZiQE-Plastic-Portable-Folding-Display/dp/B07G75KVYD/(Year: 2018).*)

* cited by examiner

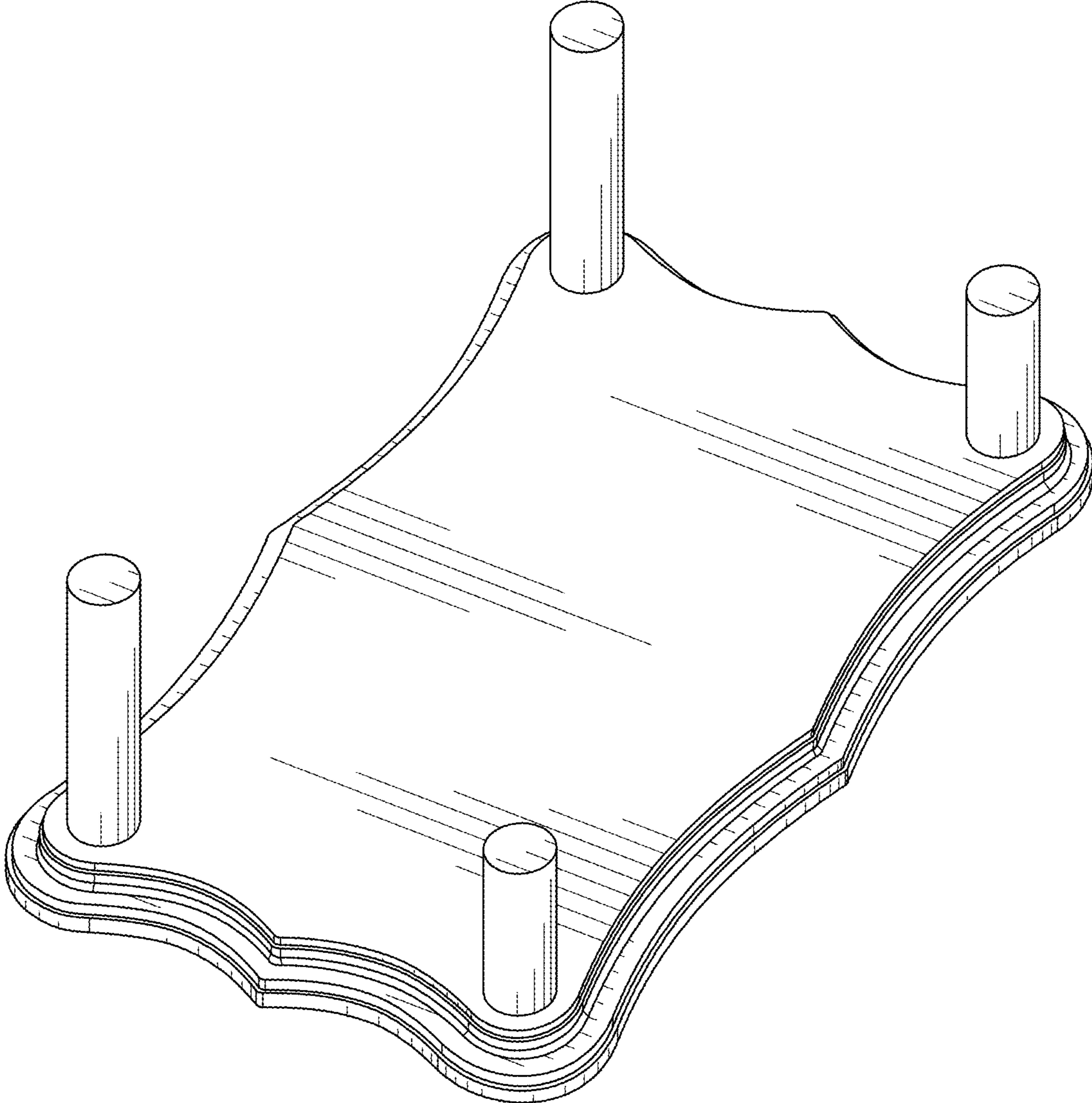


FIG. 1

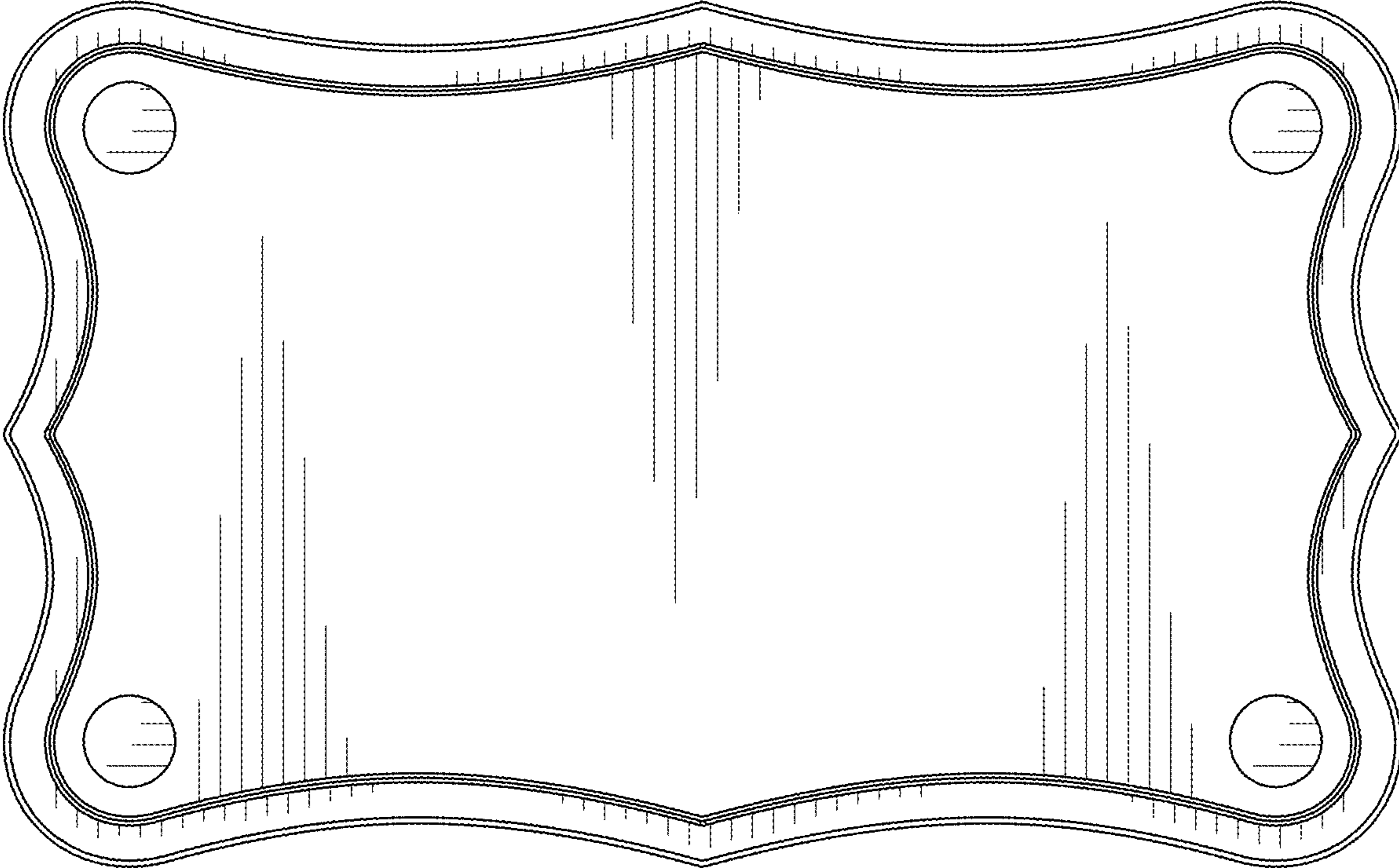


FIG. 2

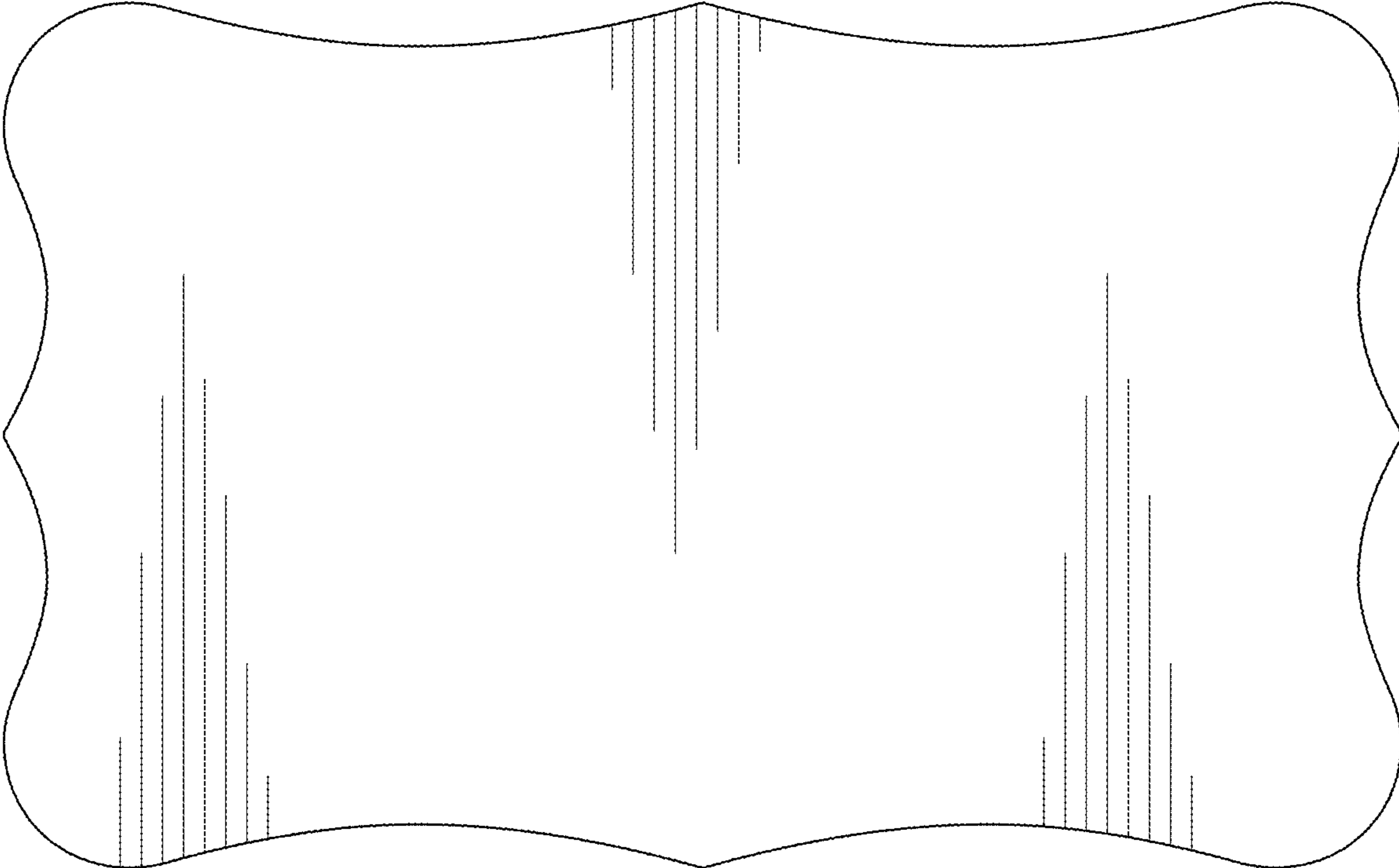


FIG. 3

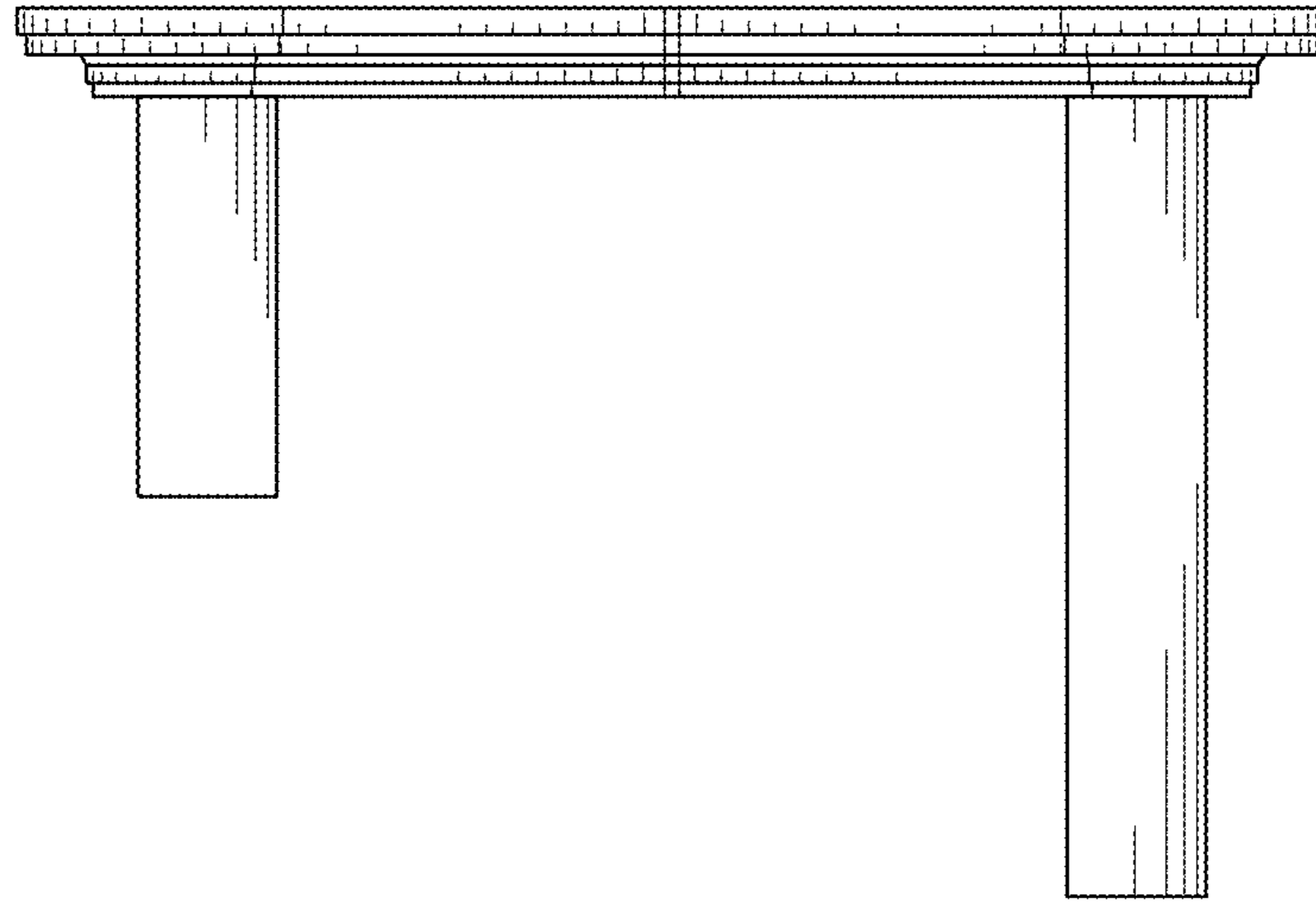


FIG. 4

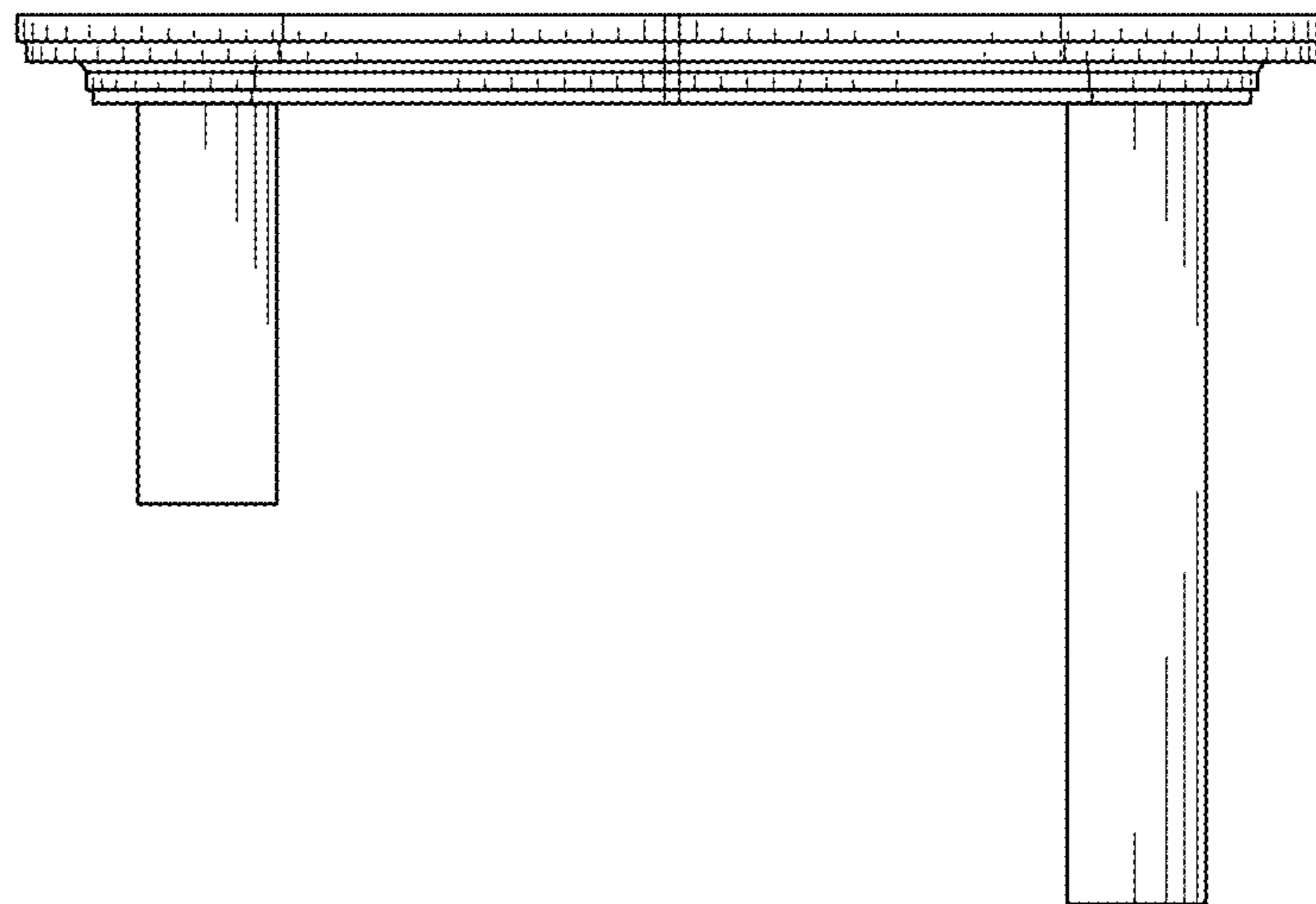


FIG. 5

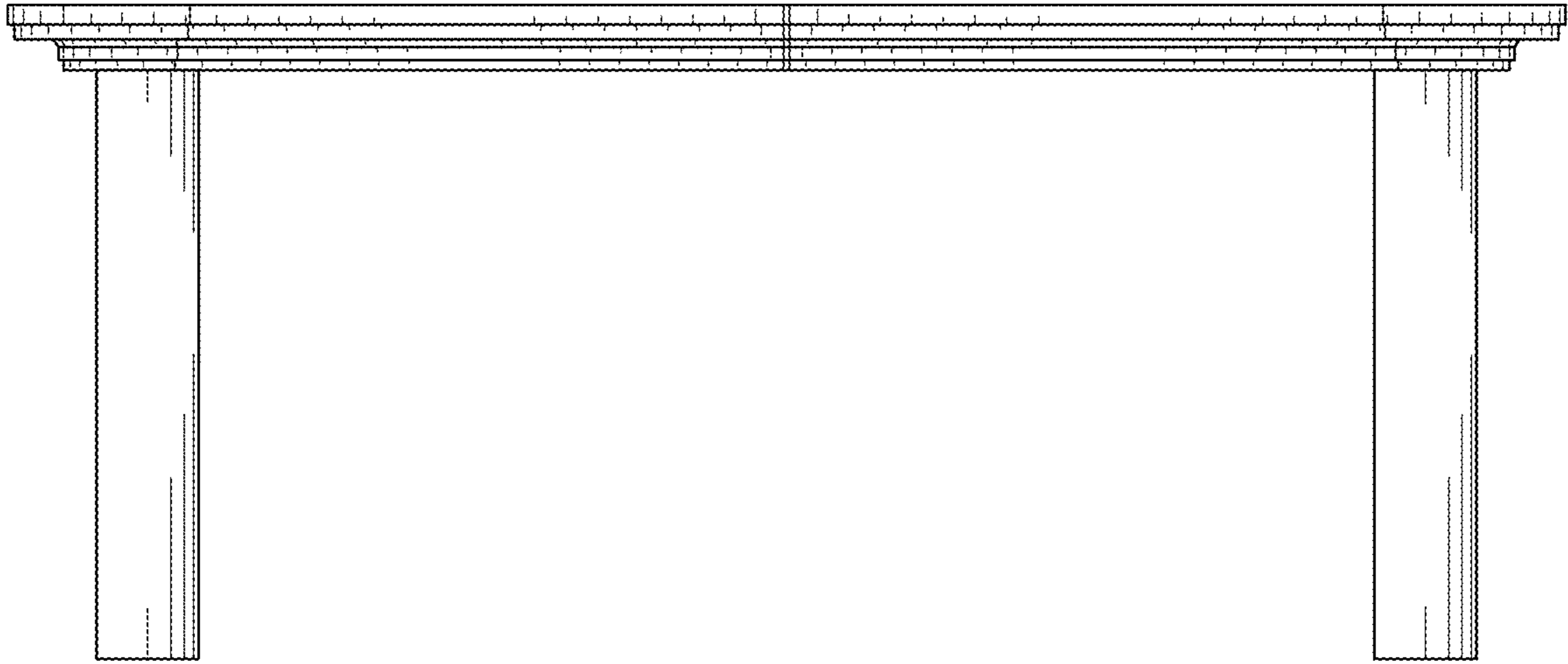


FIG. 6

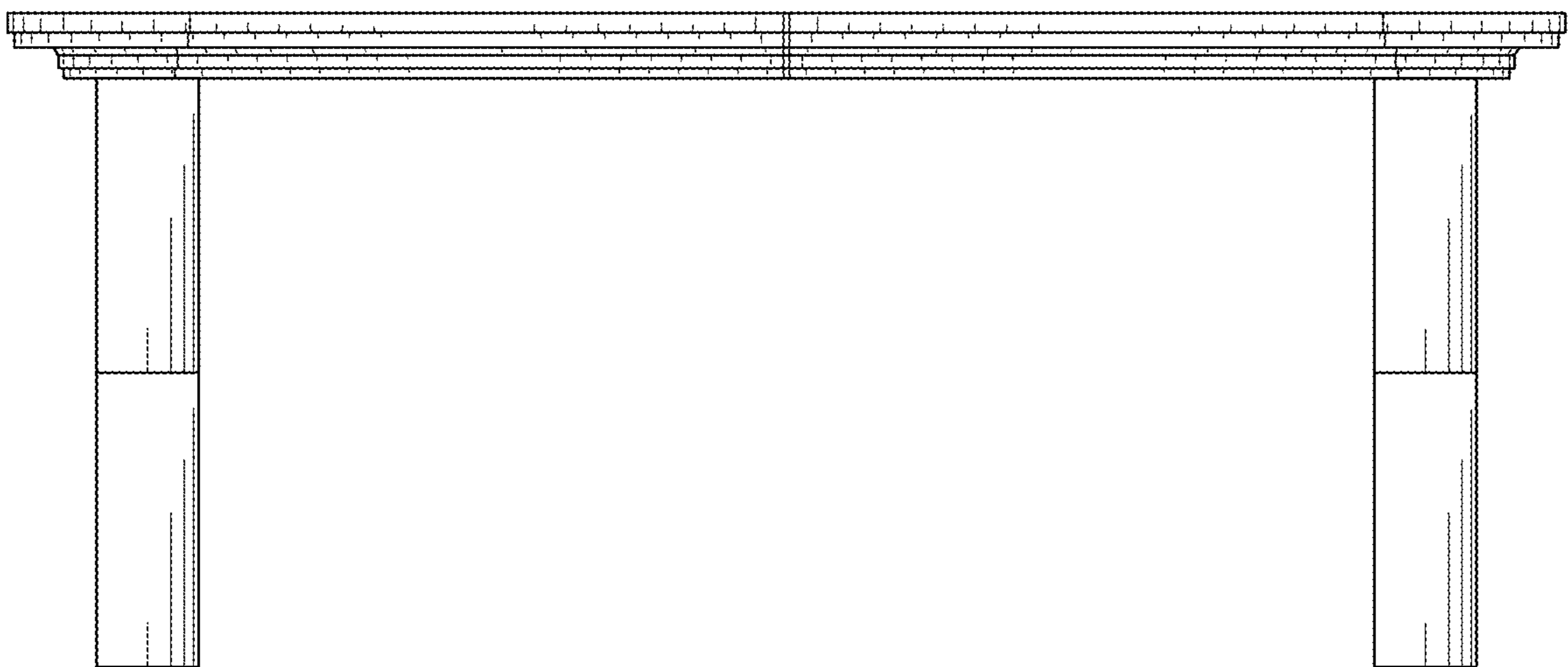


FIG. 7