



US00D984055S

(12) **United States Design Patent** (10) **Patent No.:** **US D984,055 S**
Ge (45) **Date of Patent:** **** Apr. 18, 2023**

(54) **HAIR EXTENSION ROW AND COVER COMBINATION**

(71) Applicant: **Xiang Ge**, Bengbu (CN)

(72) Inventor: **Xiang Ge**, Bengbu (CN)

(**) Term: **15 Years**

(21) Appl. No.: **29/839,216**

(22) Filed: **May 19, 2022**

(51) **LOC (14) Cl.** **28-04**

(52) **U.S. Cl.**
USPC **D28/92**

(58) **Field of Classification Search**
USPC D27/92, 10, 18, 39, 41, 73; D28/92, 10, D28/18, 39, 41, 73
CPC .. A41G 5/0086; A41G 5/0046; A41G 5/0053; A41G 5/0073; A41G 5/00
See application file for complete search history.

(56) **References Cited**

U.S. PATENT DOCUMENTS

6,035,861	A *	3/2000	Copello	A45D 8/12 132/200
6,405,736	B2 *	6/2002	Townsend	A41G 5/0033 132/201
8,528,571	B2 *	9/2013	Costa	A41G 5/006 132/201
D706,486	S *	6/2014	Glass	D28/41
D742,594	S	11/2015	Kleinman		
D752,293	S	3/2016	Lee		
D889,037	S	6/2020	Treb et al.		
D891,940	S *	8/2020	Szymanski	D28/73
D910,916	S *	2/2021	White	D28/41
D918,475	S *	5/2021	Hu	D28/73
D921,987	S *	6/2021	Hu	D28/73
D939,145	S *	12/2021	Tokko	D28/92

2004/0129285	A1 *	7/2004	Frazier	A41G 5/004 132/201
2008/0276949	A1 *	11/2008	Lee	A41G 5/0066 132/53
2020/0029640	A1 *	1/2020	Adams	A45D 19/012
2020/0093210	A1 *	3/2020	Bernstein	A41G 5/0046
2020/0121012	A1 *	4/2020	Hong	A41G 5/008
2020/0154807	A1 *	5/2020	Alex	A41G 5/0046
2020/0383412	A1 *	12/2020	Pilosi	A41G 5/006

OTHER PUBLICATIONS

Chrome Double Blade Cigar Cutter By: S.T. Dupont found on line Sep. 9, 2022 <https://www.elighters.com/dupont3418.html> (Date not available).*

* cited by examiner

Primary Examiner — Rebecca Tsehaye

(74) *Attorney, Agent, or Firm* — Rumit Ranjit Kanakia

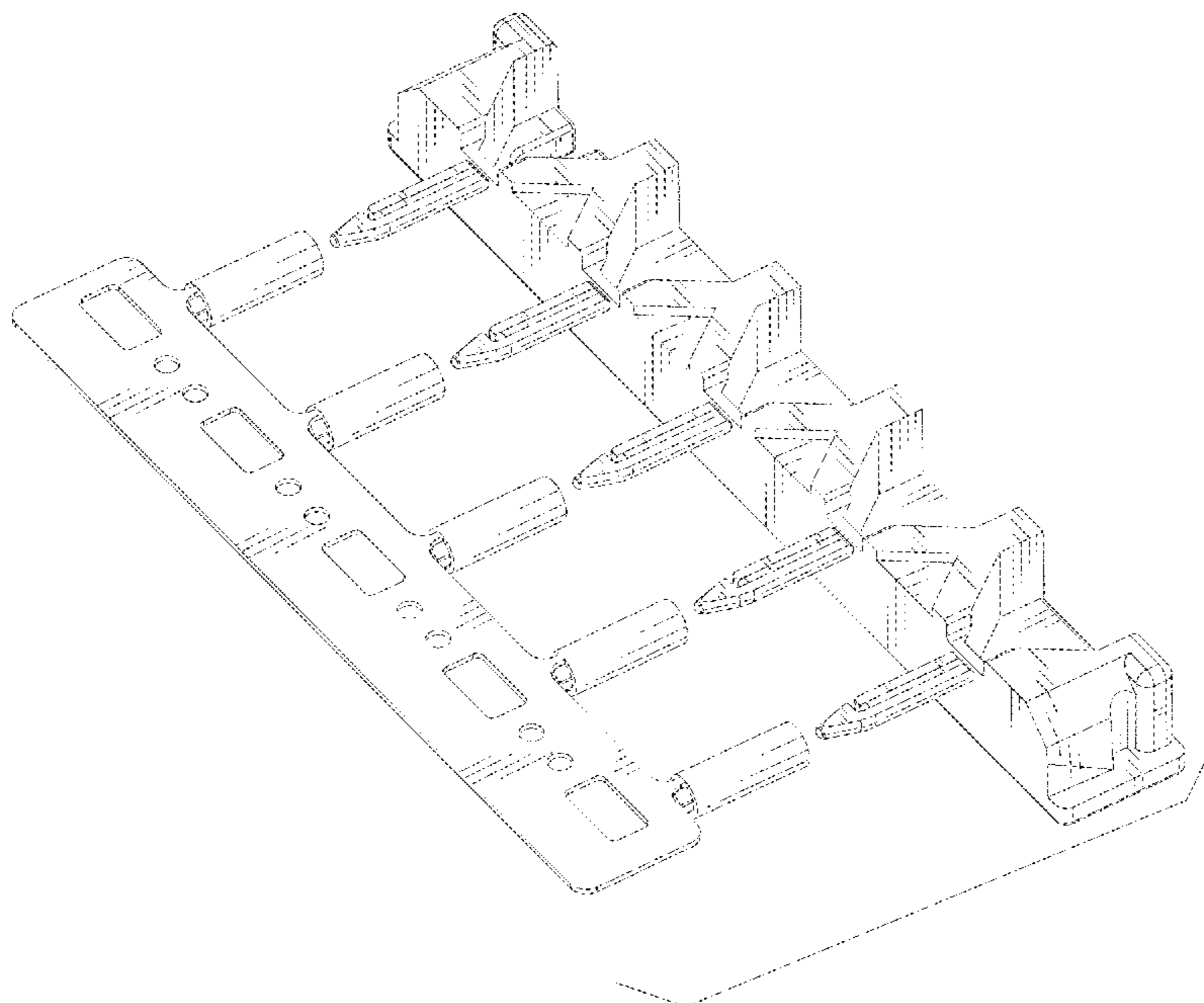
(57) **CLAIM**

The ornamental design for a hair extension row and cover combination, as shown and described.

DESCRIPTION

FIG. 1 is a an exploded top perspective view of the hair extension row and cover combination thereof; FIG. 2 is a front view thereof; FIG. 3 is a rear view thereof; FIG. 4 is an exploded left side view thereof; FIG. 5 is an exploded right side view thereof; FIG. 6 is an exploded top view thereof; and, FIG. 7 is an exploded bottom view thereof. The broken lines in the drawings depict portions of the hair extension row and cover combination that form no part of the claimed design.

1 Claim, 7 Drawing Sheets



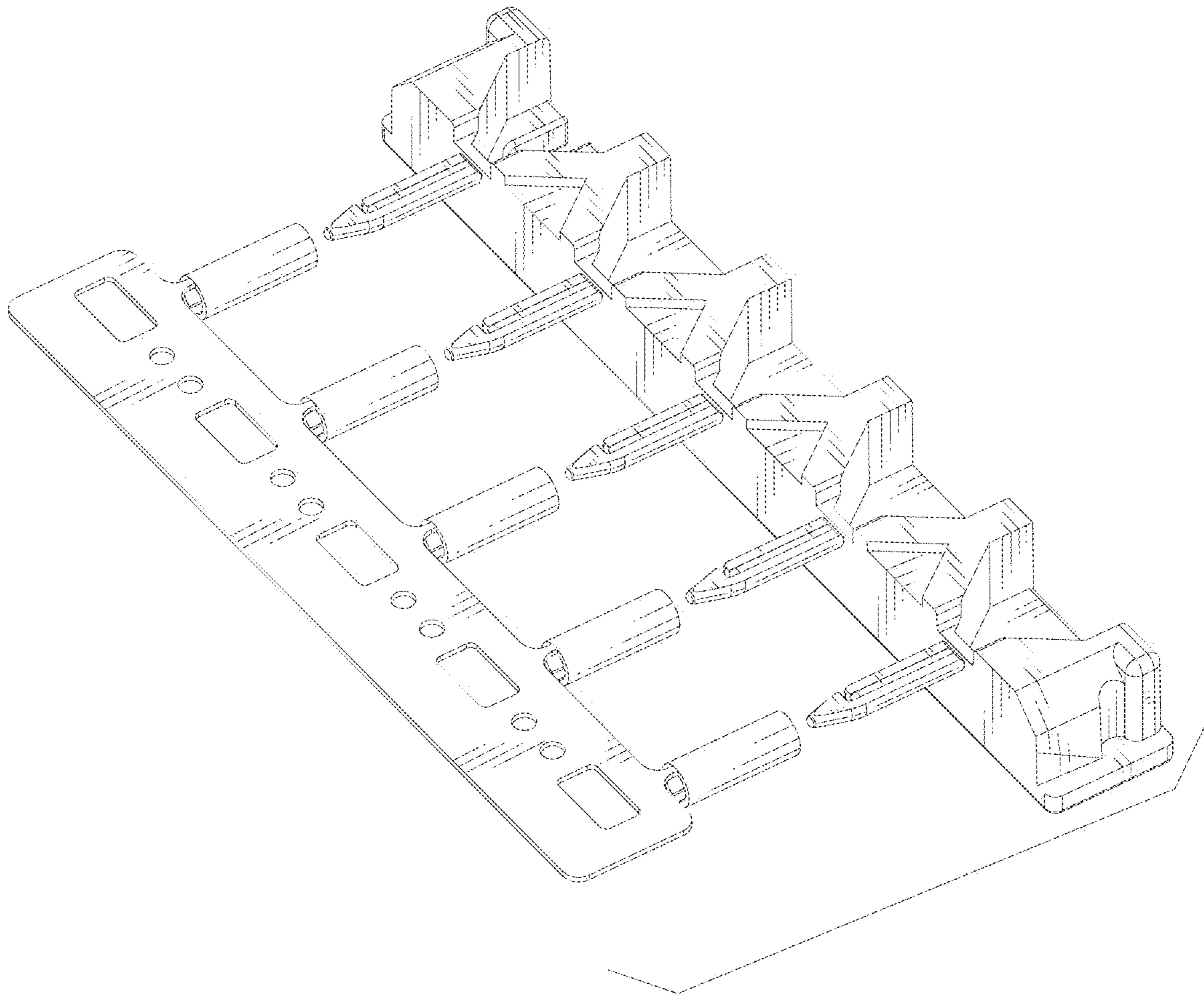


FIG.1

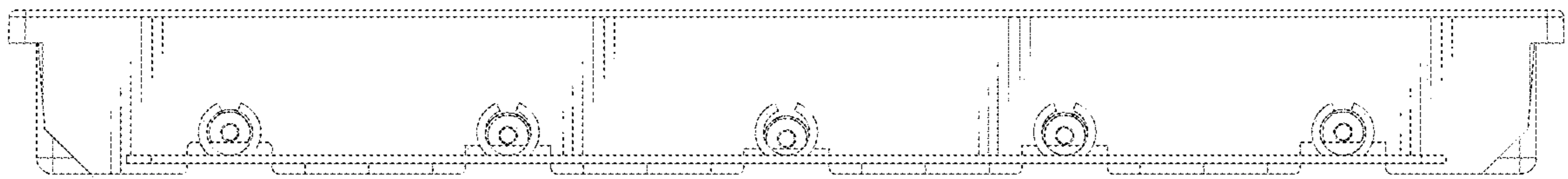


FIG.2

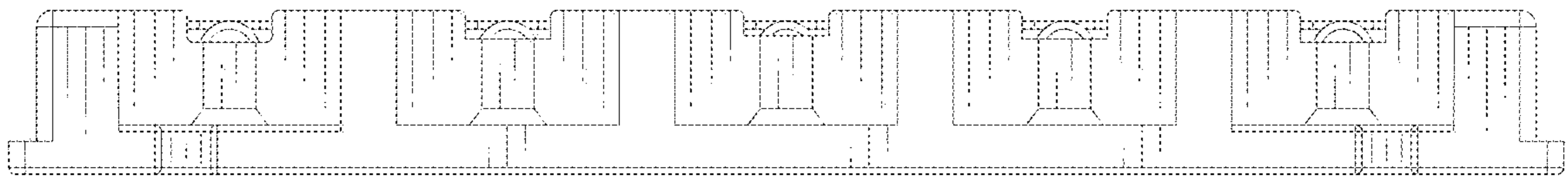


FIG.3

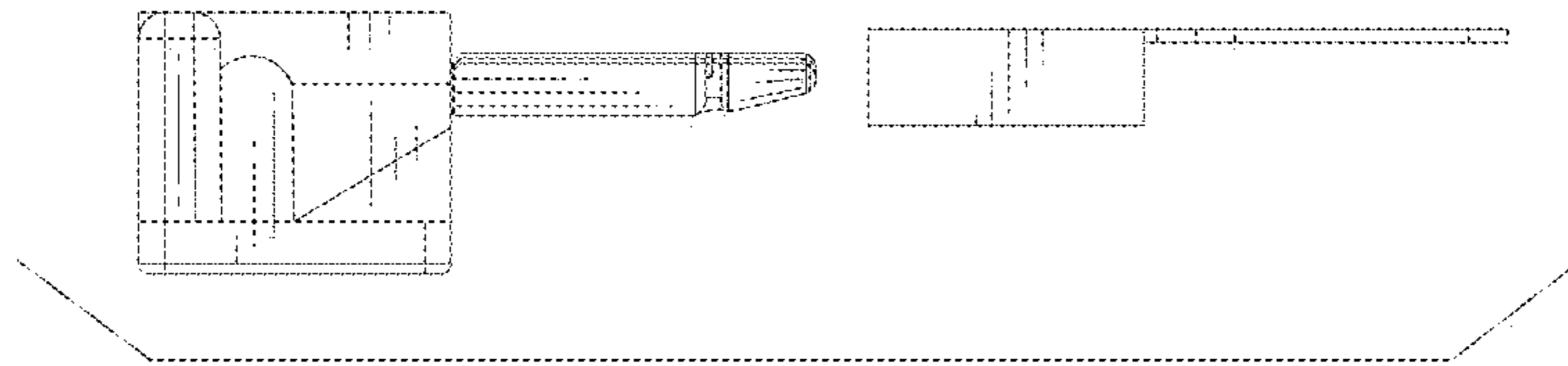


FIG.4

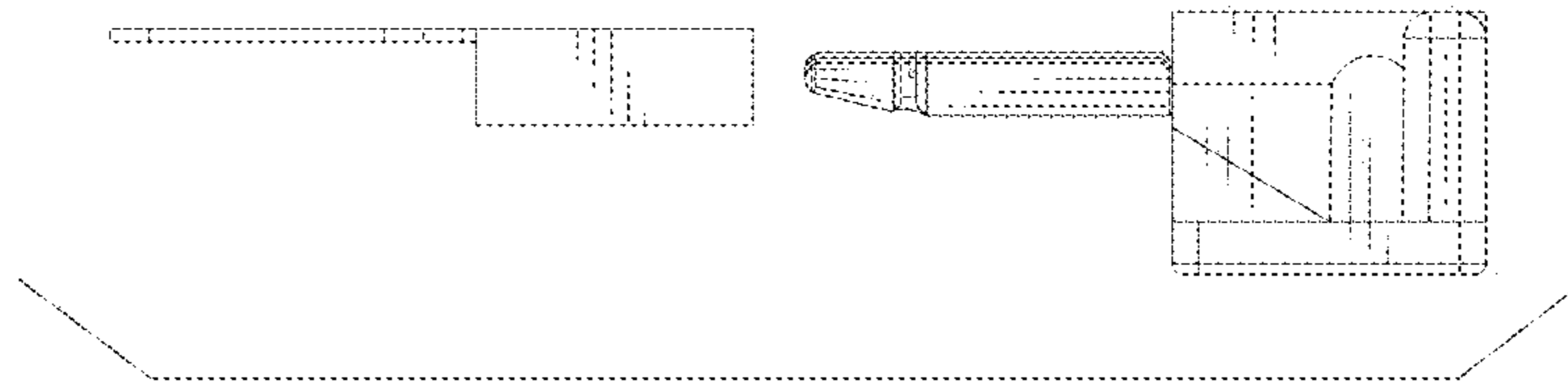


FIG.5

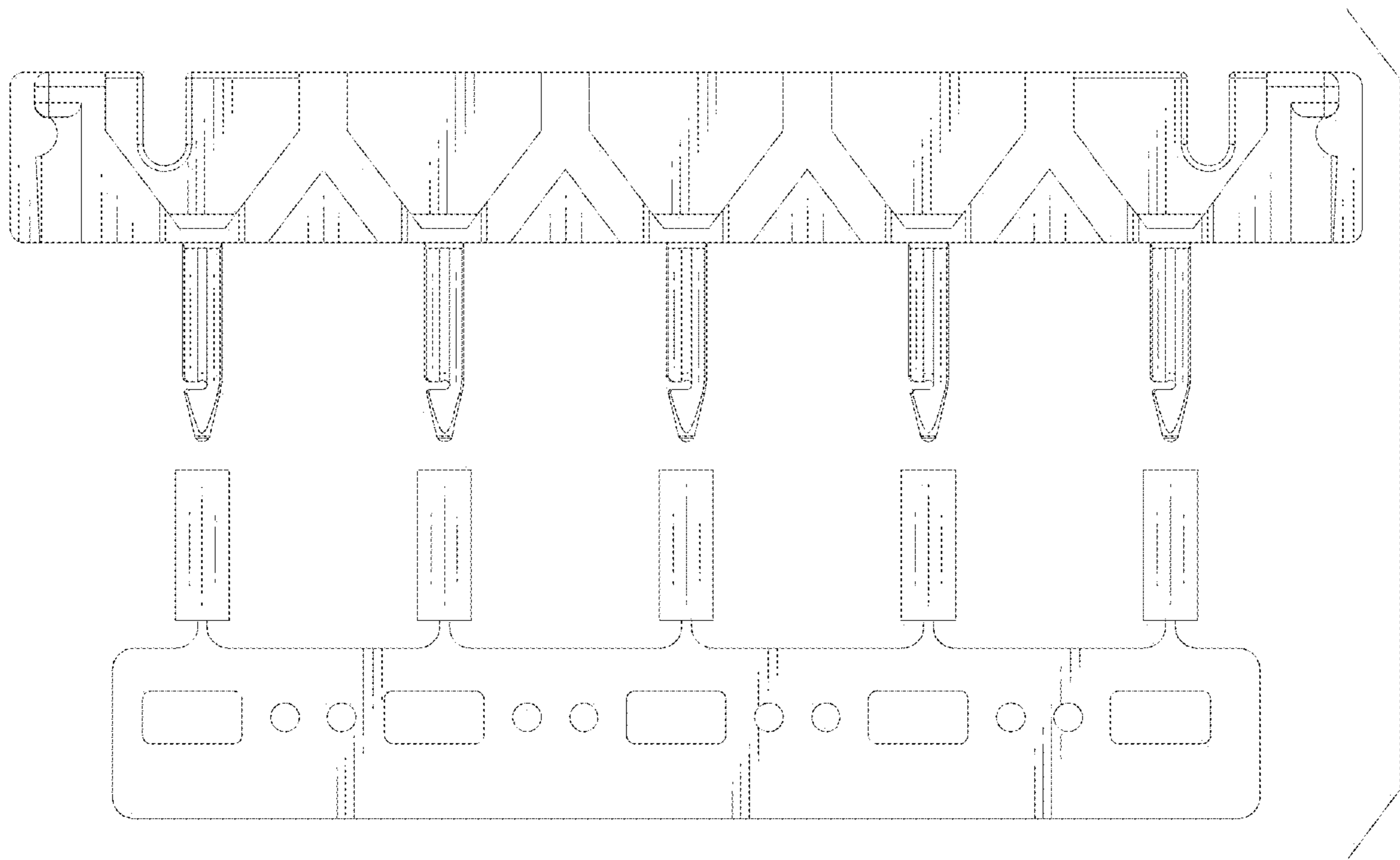


FIG.6

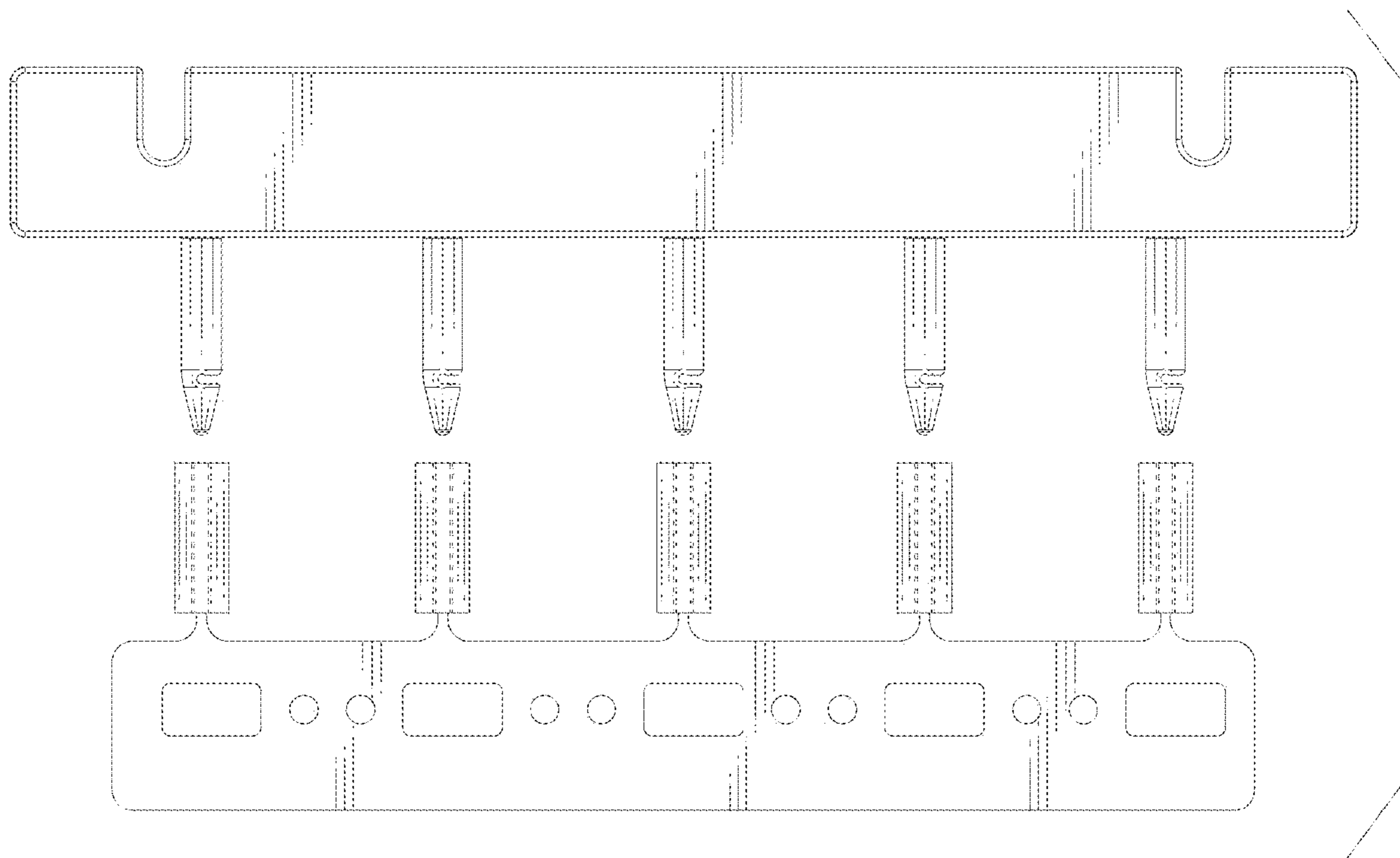


FIG. 7