



US00D984053S

(12) **United States Design Patent**
Bethel

(10) **Patent No.:** **US D984,053 S**
(45) **Date of Patent:** **** Apr. 18, 2023**

(54) **LIPSTICK EXTRACTING DEVICE**
(71) Applicant: **Frederick Bethel**, Orlando, FL (US)
(72) Inventor: **Frederick Bethel**, Orlando, FL (US)

5,997,202 A 12/1999 Durocher
6,012,863 A 1/2000 Sakurai
D420,386 S * 2/2000 Clarke D19/115
(Continued)

(**) Term: **15 Years**

FOREIGN PATENT DOCUMENTS
CN 3606141 * 1/2007

(21) Appl. No.: **29/757,690**

OTHER PUBLICATIONS

(22) Filed: **Nov. 9, 2020**

Lip Lapster 3D . . . [online]; [video published to the internet on Dec. 14, 2020]; [retrieved from the internet on Sep. 7, 2022]; URL: <https://www.youtube.com/watch?v=wCRSCnnvNVU> (3 pages). (Year: 2020).*

(51) **LOC (14) Cl.** **28-02**

(52) **U.S. Cl.**
USPC **D28/85**

(58) **Field of Classification Search**
USPC D28/4, 7, 76, 85, 87, 88, 89, 90;
D9/503, 529, 545, 549, 551, 558, 727,
D9/745; D19/115, 116, 123; D15/5;
D8/396
CPC A45D 33/00; A45D 33/02; A45D 34/00;
A45D 34/04; A45D 34/06; A45D 34/041;
A45D 40/02; A45D 40/04; A45D 40/20;
A45D 40/00; A45D 40/24; A45D 40/06;
A45D 40/10; A45D 40/205; A45D
40/262; A45D 40/12; A45D 42/02; A45D
2200/053; A45D 2040/0025

(Continued)

Primary Examiner — Jasmine Mlinarcik
Assistant Examiner — Victoria A. Rielly
(74) *Attorney, Agent, or Firm* — Argus Intellectual
Enterprise; Jordan Sworen; Daniel Enea

(57) **CLAIM**

The ornamental design for a lipstick extracting device, as shown and described.

DESCRIPTION

FIG. 1 is a perspective view of a lipstick extracting device with a cap separated therefrom showing my new design; FIG. 2 is a front side view thereof; FIG. 3 is a rear view thereof; FIG. 4 is a left side view thereof; FIG. 5 is a right side view thereof; FIG. 6 is a top plan view thereof with the cap secured; FIG. 7 is a bottom plan view thereof; and, FIG. 8 is a top plan view thereof without the cap. The shade lines in the Figures show contour and not surface ornamentation. The broken lines shown in the Figures show portions of the lipstick extracting device which form no part of the claimed design.

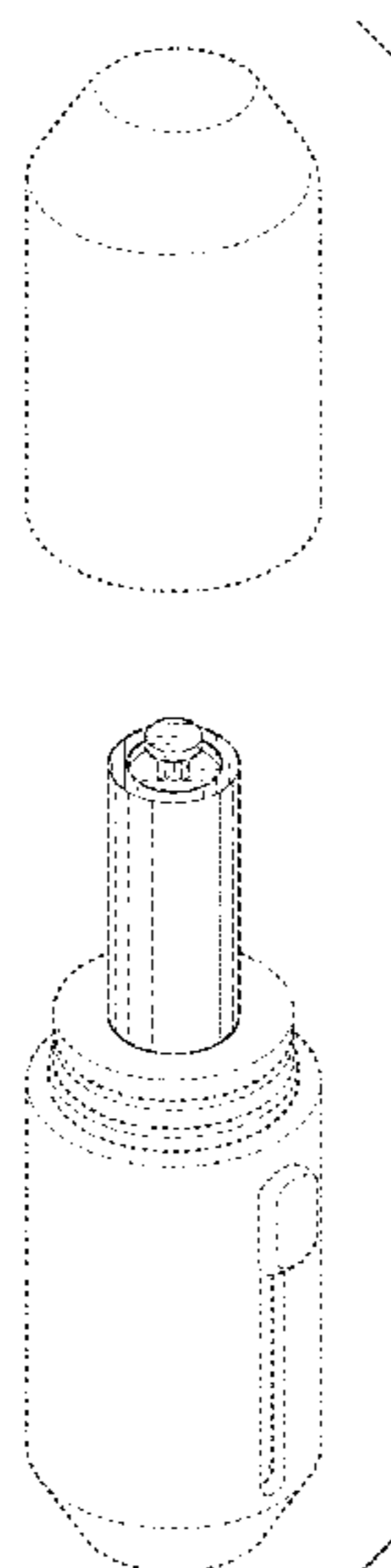
See application file for complete search history.

(56) **References Cited**

U.S. PATENT DOCUMENTS

2,043,250 A 6/1936 Nathan et al.
2,415,306 A 2/1947 Ivor
2,512,476 A 6/1950 Birnkrant et al.
2,552,697 A 5/1951 Tursky
3,728,034 A 4/1973 Winter
3,913,595 A 10/1975 Grisel
3,954,114 A 5/1976 Ostrowsky et al.
4,182,945 A 1/1980 McArdle et al.
4,778,300 A 10/1988 French et al.
4,815,485 A 3/1989 Morel
D377,848 S * 2/1997 Gavin D28/85

1 Claim, 4 Drawing Sheets



(56)

References Cited

U.S. PATENT DOCUMENTS

6,902,333 B2 * 6/2005 Miyagawa A45D 40/02
 401/181
 D570,052 S * 5/2008 Py D28/89
 7,955,014 B2 * 6/2011 Thorpe A45D 34/043
 401/282
 9,591,908 B2 3/2017 Kim et al.
 9,781,990 B2 10/2017 Oh
 D818,641 S 5/2018 Wilson et al.
 10,327,532 B2 6/2019 Li
 D884,282 S * 5/2020 Jung D9/503
 D886,610 S * 6/2020 Aboabdo D9/503
 D904,902 S * 12/2020 Yang D9/503
 D906,485 S * 12/2020 Fowler D23/259
 D913,336 S * 3/2021 Joshi D15/5
 11,172,748 B2 * 11/2021 Arai A45D 40/065
 11,376,886 B2 * 7/2022 Petratou B43K 24/06
 2010/0054842 A1 3/2010 DeVito et al.
 2014/0219703 A1 8/2014 Kim
 2021/0345756 A1 * 11/2021 Bethel A45D 40/02
 2022/0022626 A1 * 1/2022 Lin A45D 40/02
 2022/0240646 A1 * 8/2022 Hammond A45D 40/02

OTHER PUBLICATIONS

New Lip Laster Invention . . . [online]; [article published to the internet on Jun. 3, 2021]; [retrieved from the internet on Sep. 7, 2022]; URL: <https://markets.businessinsider.com/news/stocks/new-lip-laster-invention-saves-lipstick-as-lipstick-sales-begin-to-skyrocket-post-vaccine-1030492334> (3 pages). (Year: 2021).*

* cited by examiner

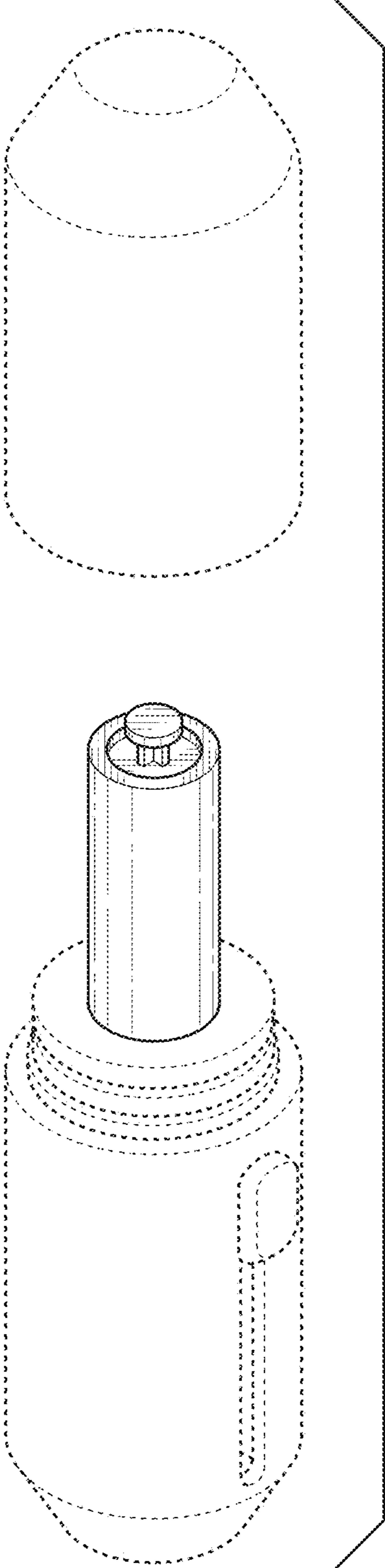


FIG. 1

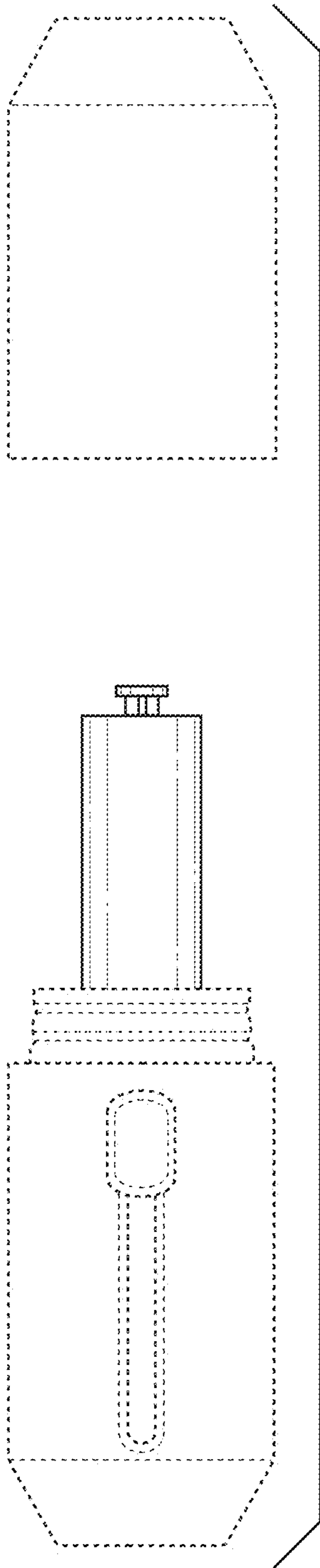


FIG. 2

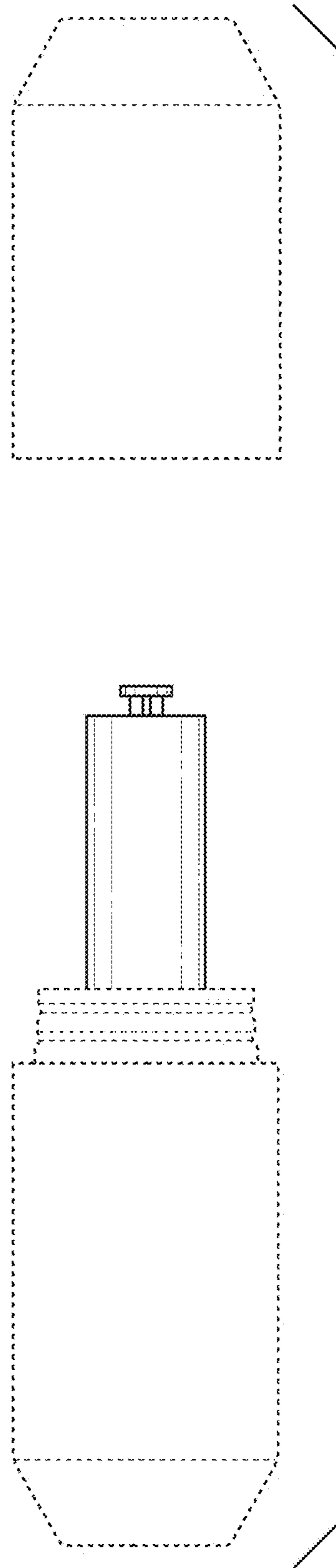


FIG. 3

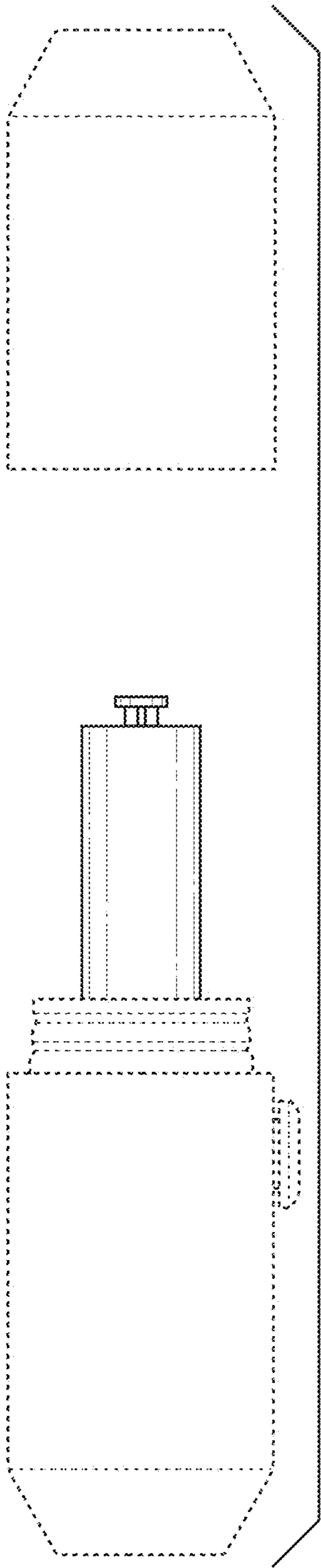


FIG. 4

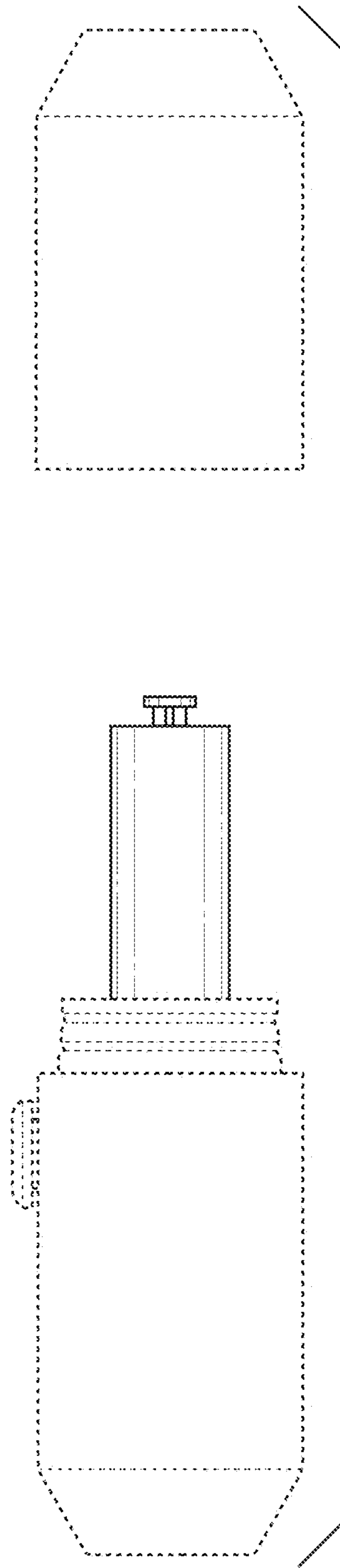


FIG. 5

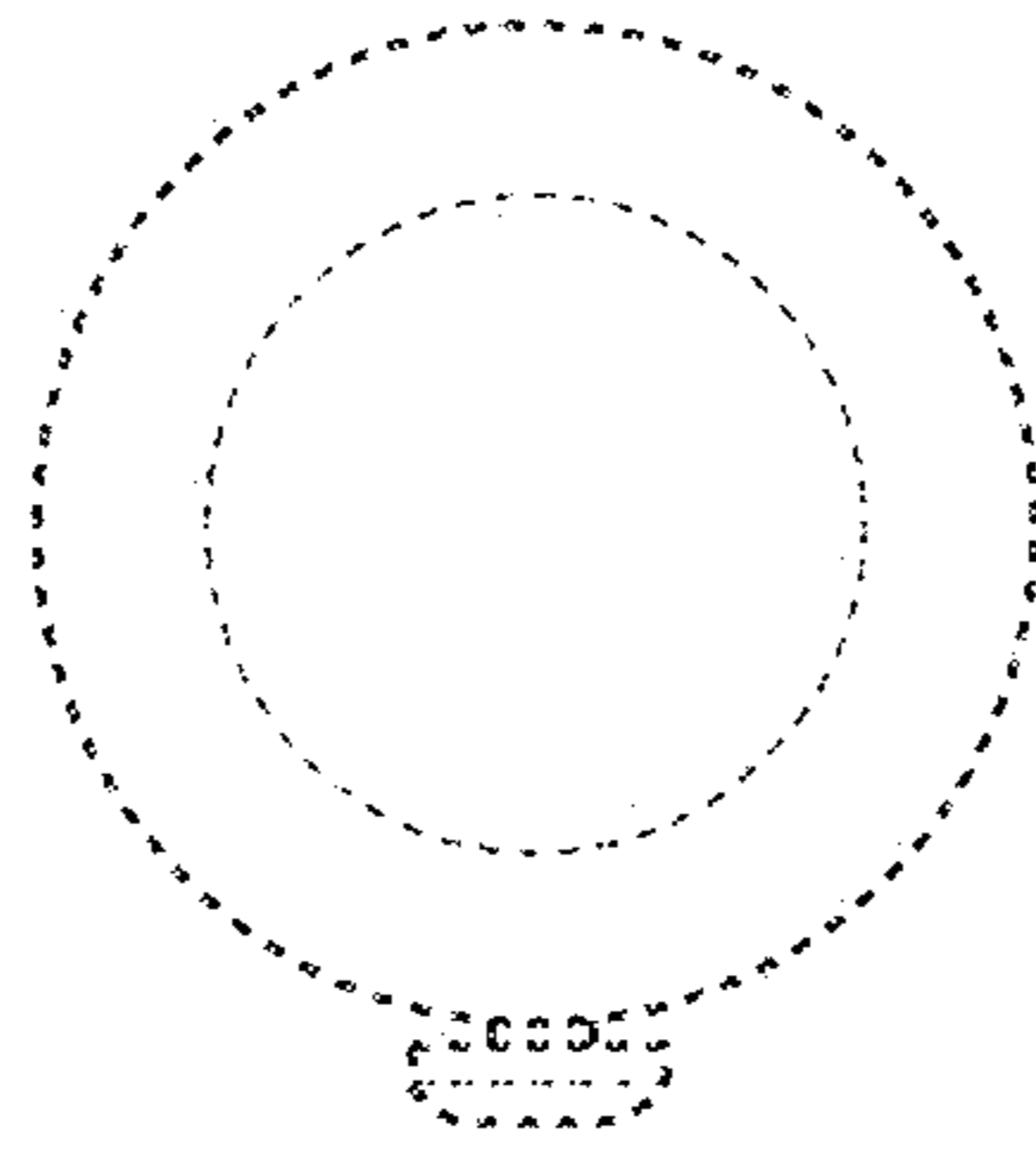


FIG. 6

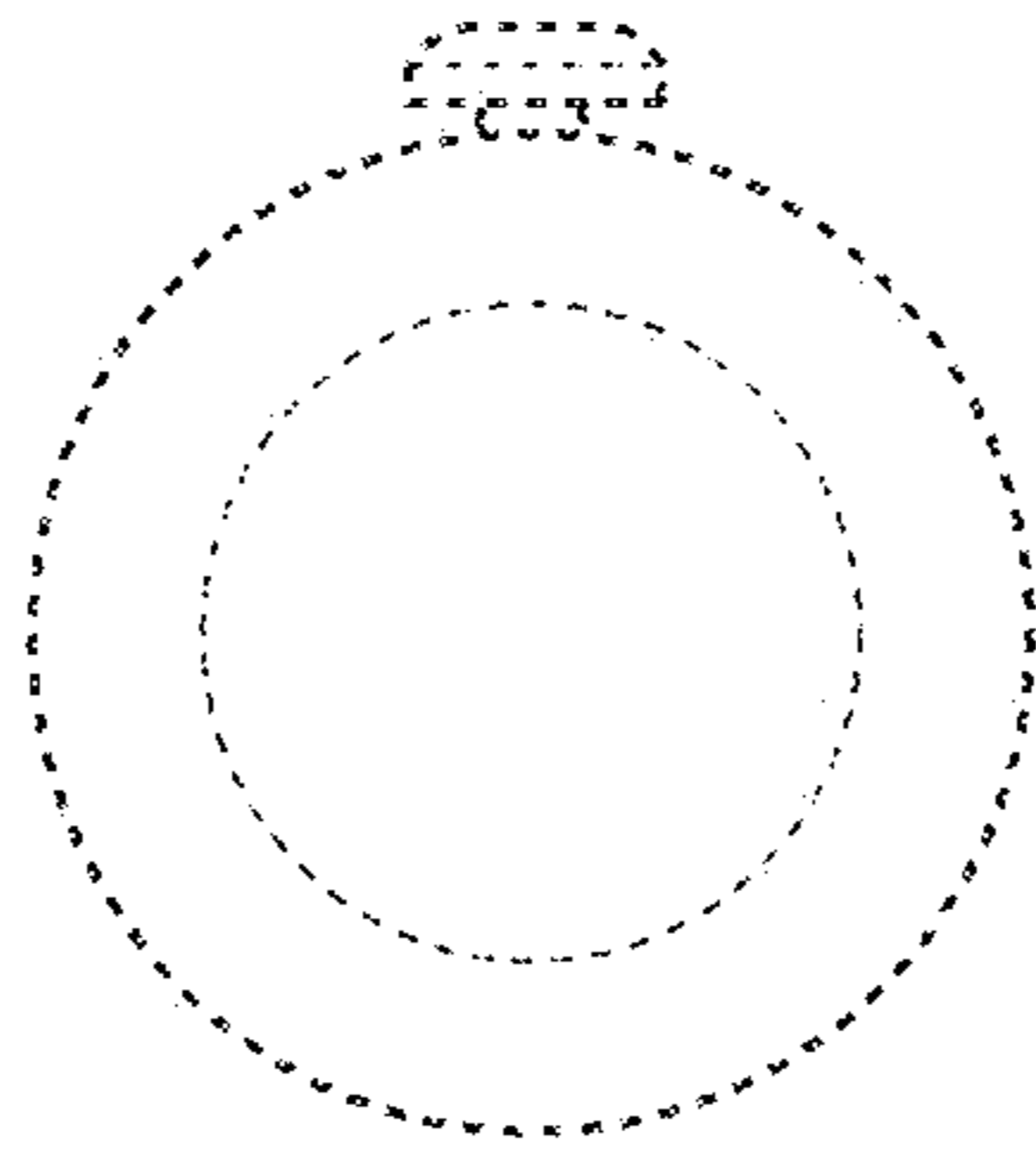


FIG. 7

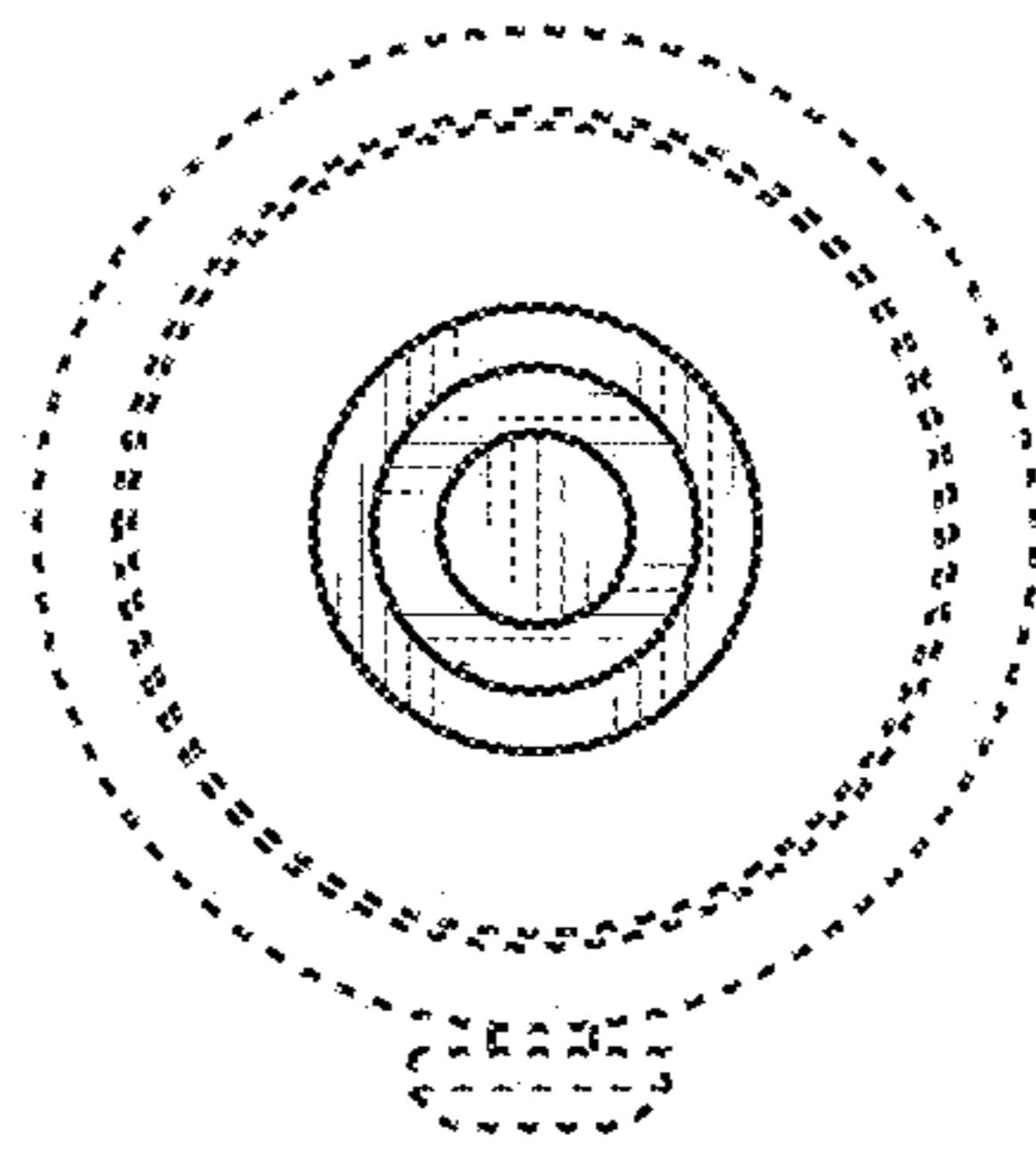


FIG. 8