



US00D984052S

(12) **United States Design Patent** (10) **Patent No.:** **US D984,052 S**  
**Lai** (45) **Date of Patent:** **\*\* Apr. 18, 2023**

(54) **SHAVER**  
(71) Applicant: **Sifang Lai**, Guangdong (CN)  
(72) Inventor: **Sifang Lai**, Guangdong (CN)  
(\*\*) Term: **15 Years**  
(21) Appl. No.: **29/822,993**  
(22) Filed: **Jan. 13, 2022**

D938,652 S 12/2021 Long  
D959,055 S \* 7/2022 Huang ..... D28/51  
D967,537 S \* 10/2022 Kong ..... D28/51  
D968,024 S \* 10/2022 Qiu ..... D28/49

**OTHER PUBLICATIONS**

Foil Shaver by Supreme Trimmer, www.amazon.ca, 1 page, first available May 2022 (Year: 2022).\*  
Babylisspro Foil Shaver, www.amazon.ca, 1 page, first available Feb. 2021 (Year: 2021).\*

\* cited by examiner

*Primary Examiner* — Jennifer Rivard  
(74) *Attorney, Agent, or Firm* — ScienBiziP, P.C.

(30) **Foreign Application Priority Data**  
Dec. 24, 2021 (EM) ..... 008810766-0002  
(51) **LOC (14) Cl.** ..... **28-03**  
(52) **U.S. Cl.**  
USPC ..... **D28/49**  
(58) **Field of Classification Search**  
USPC ..... D28/49-54  
CPC ..... B26B 19/384-3893; B26B 19/38-3826;  
B26B 19/26-265; B26B 19/00-107  
See application file for complete search history.

(57) **CLAIM**

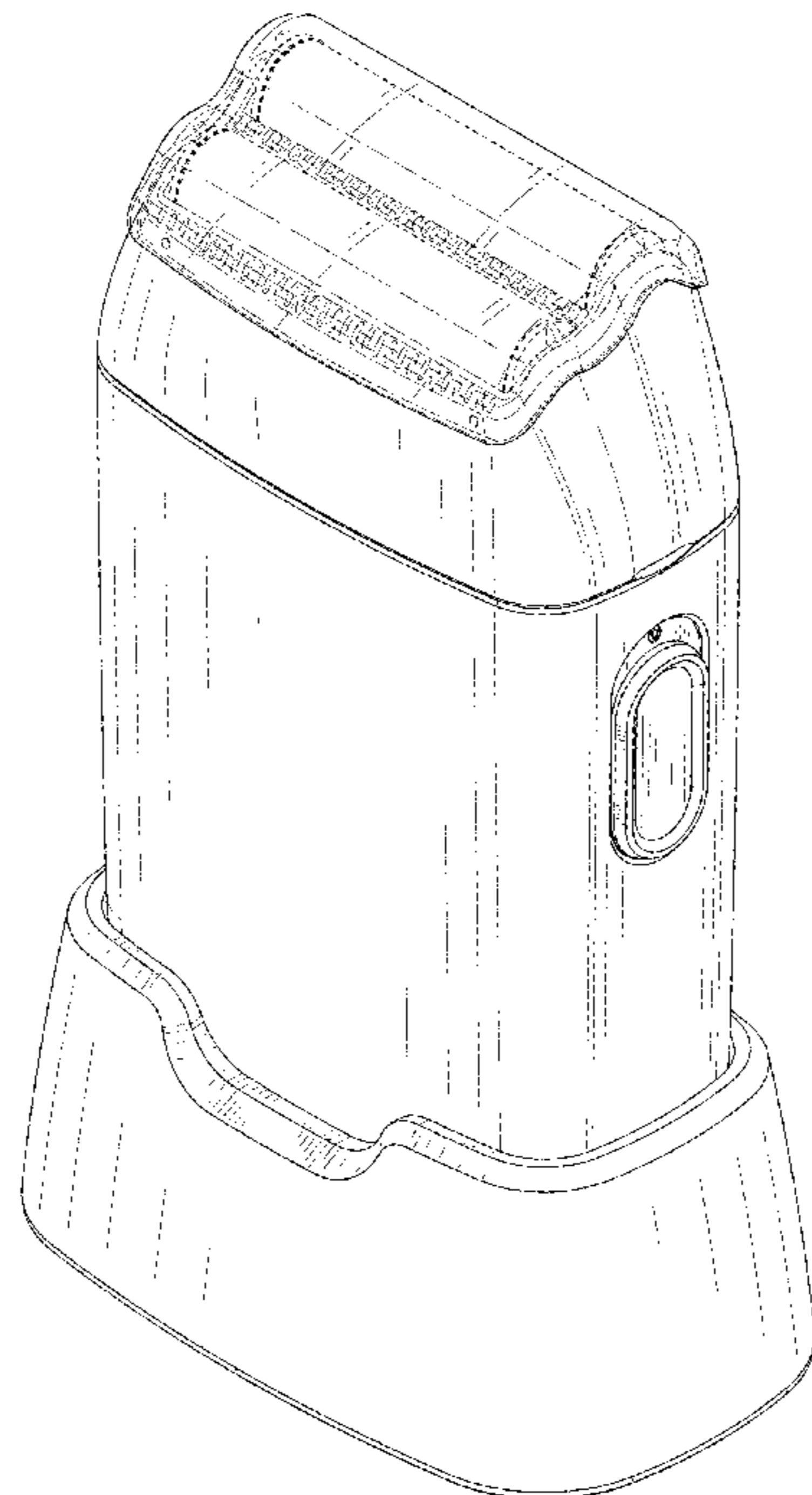
The ornamental design for a shaver, as shown and described.

**DESCRIPTION**

FIG. 1 is a front, right, and top perspective view of a shaver, showing my design.  
FIG. 2 is a rear, left, and bottom perspective view thereof.  
FIG. 3 is a front elevation view thereof.  
FIG. 4 is a rear elevation view thereof.  
FIG. 5 is a left side elevation view thereof.  
FIG. 6 is a right side elevation view thereof.  
FIG. 7 is a top plan view thereof.  
FIG. 8 is a bottom plan view thereof; and,  
FIG. 9 is an exploded view thereof.  
The broken lines shown in the drawings are included for the purpose of illustrating portions of the shaver that form no part of the claimed design.

(56) **References Cited**  
**U.S. PATENT DOCUMENTS**  
D326,166 S \* 5/1992 Yanagida ..... D28/49  
D359,581 S \* 6/1995 Ullmann ..... D28/51  
D447,284 S \* 8/2001 Micinilio ..... D28/49  
D447,601 S \* 9/2001 Andrew ..... D28/49  
D477,113 S \* 7/2003 Muramatsu ..... D28/51  
D479,361 S \* 9/2003 Micinilio ..... D28/49  
D482,822 S \* 11/2003 Buck, Jr. .... D28/49  
D818,646 S \* 5/2018 Szymanski ..... D28/51  
D893,102 S \* 8/2020 Jiang ..... D28/53  
D911,615 S \* 2/2021 Xiao ..... D28/53  
D914,979 S \* 3/2021 Fleming ..... D28/51  
D935,697 S 11/2021 Prat-Pfister

**1 Claim, 9 Drawing Sheets**



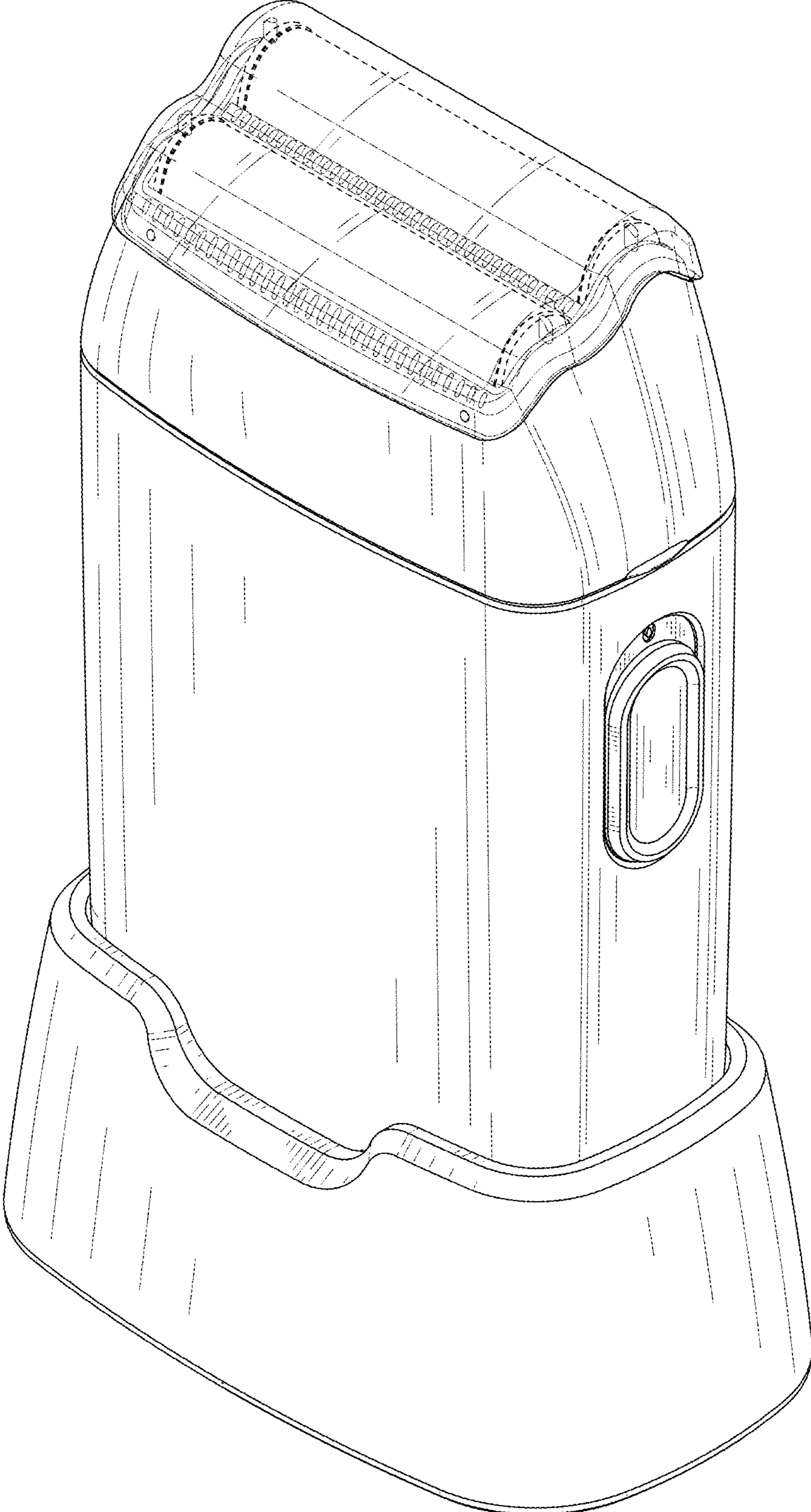


FIG. 1

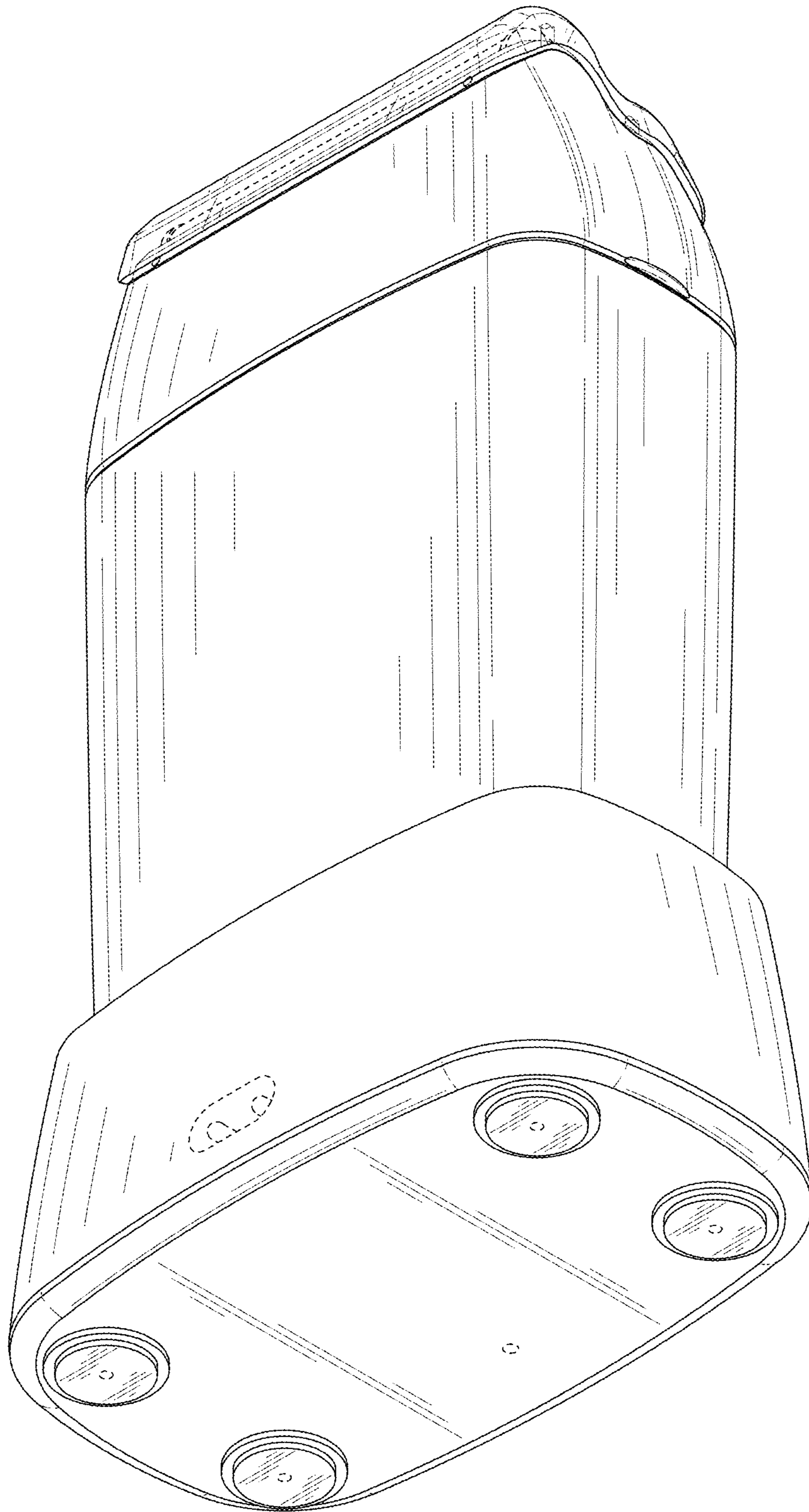


FIG. 2

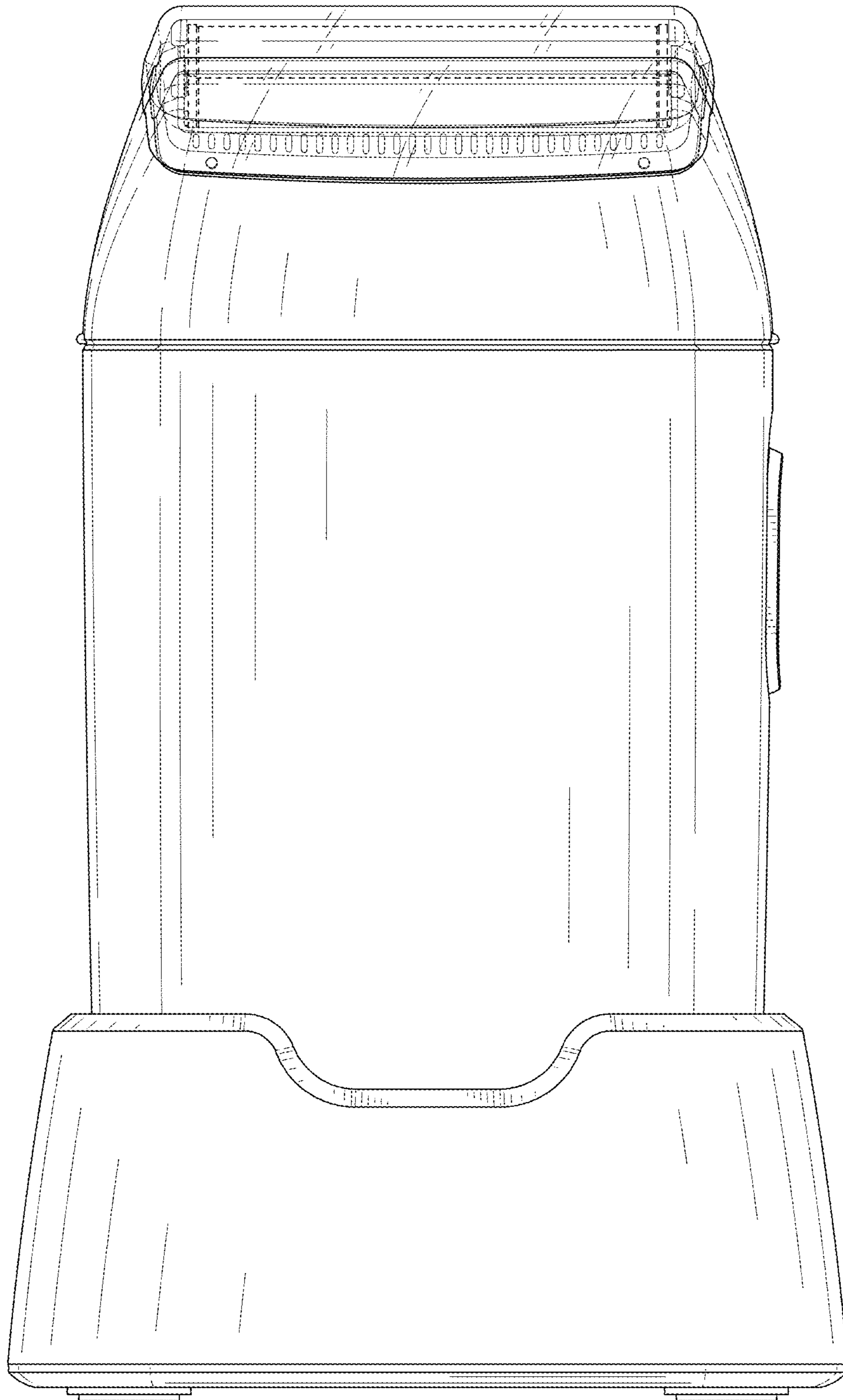


FIG. 3

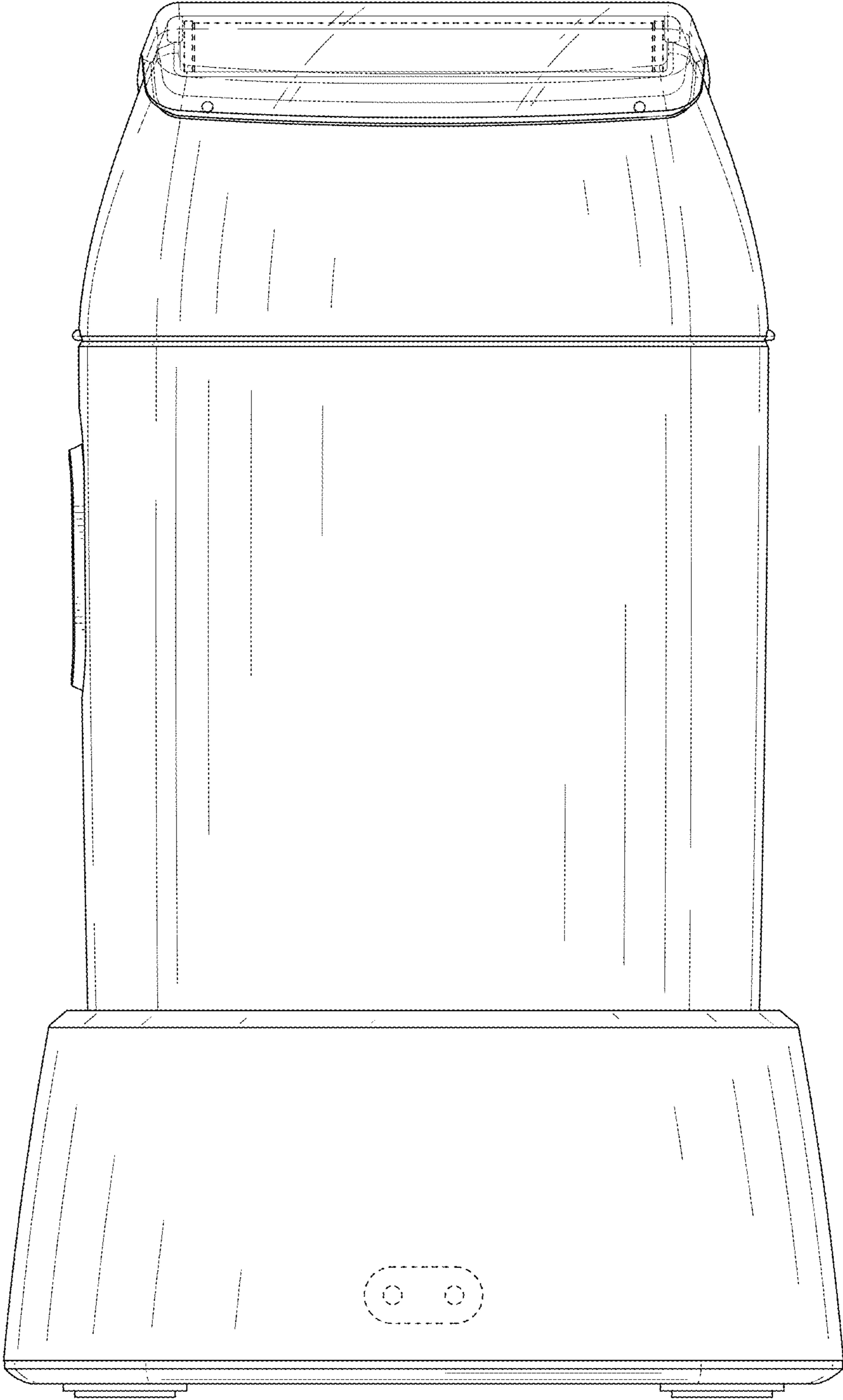


FIG. 4

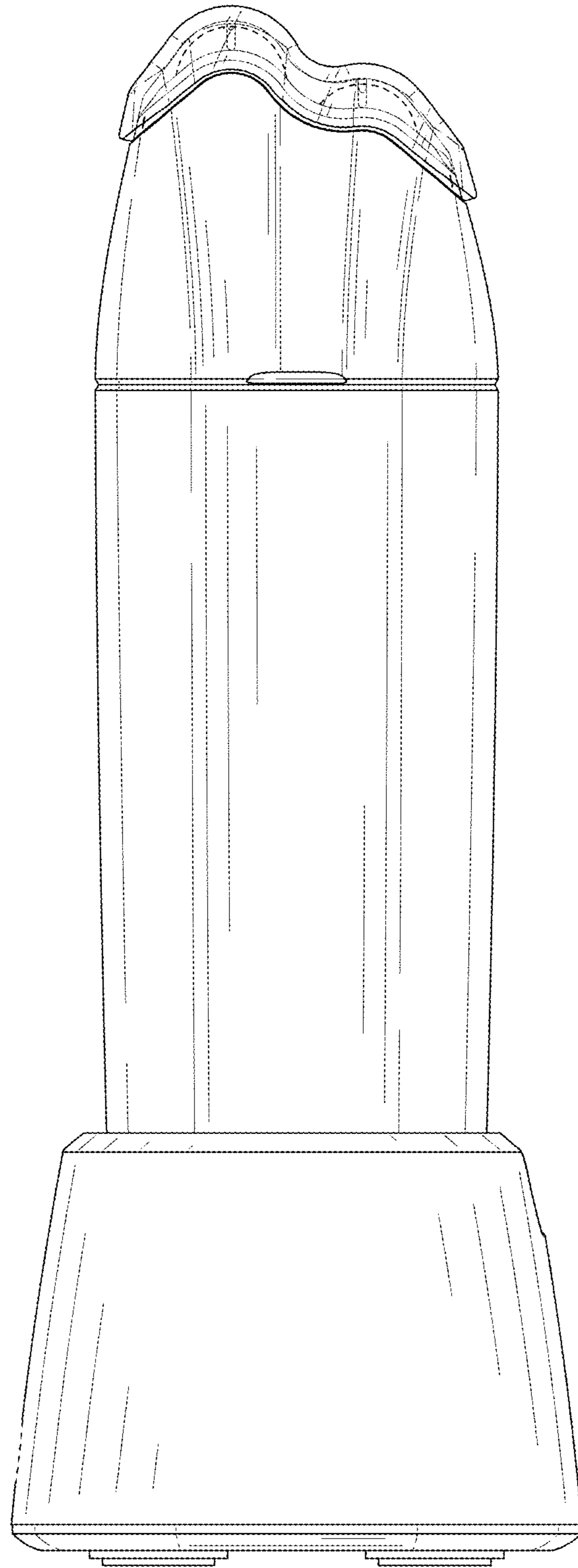


FIG. 5

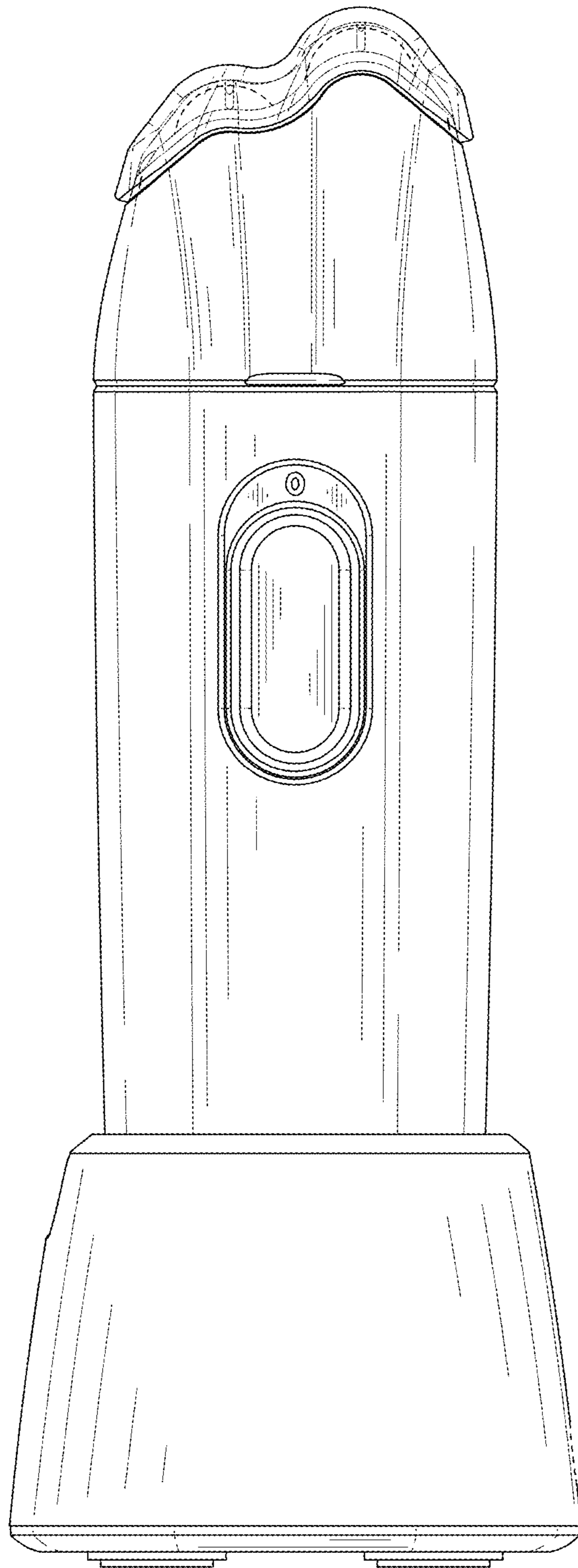


FIG. 6

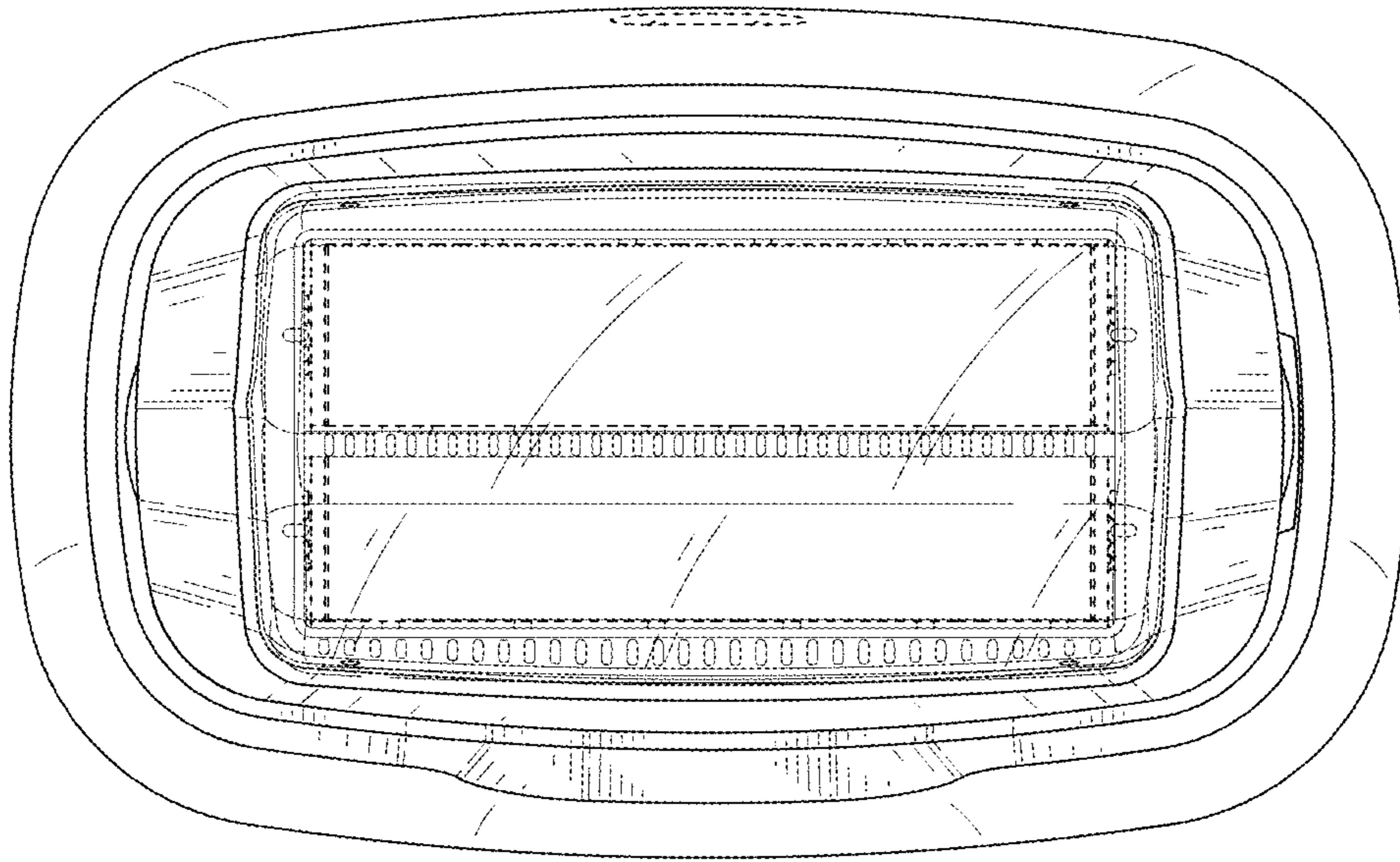


FIG. 7



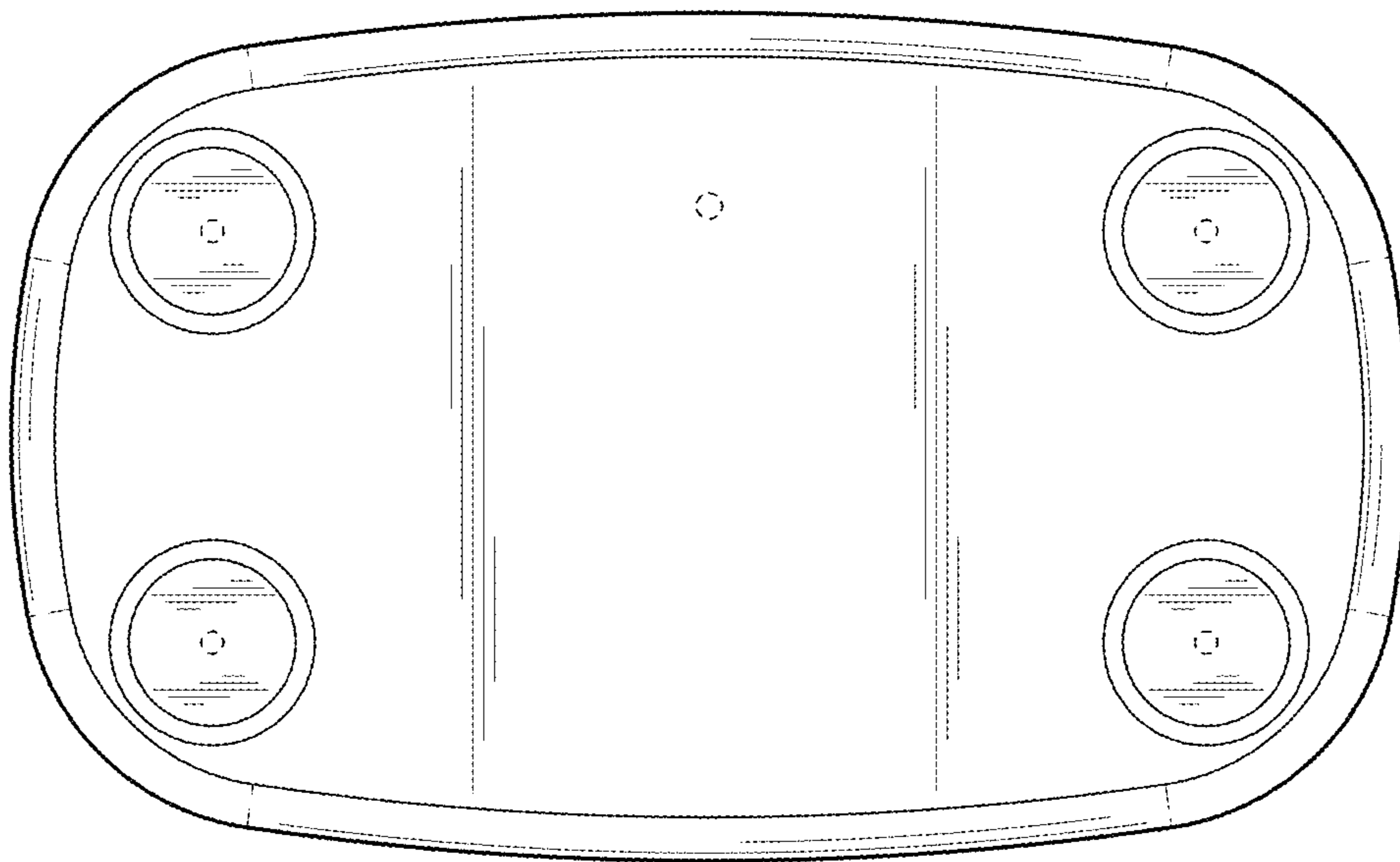


FIG. 8

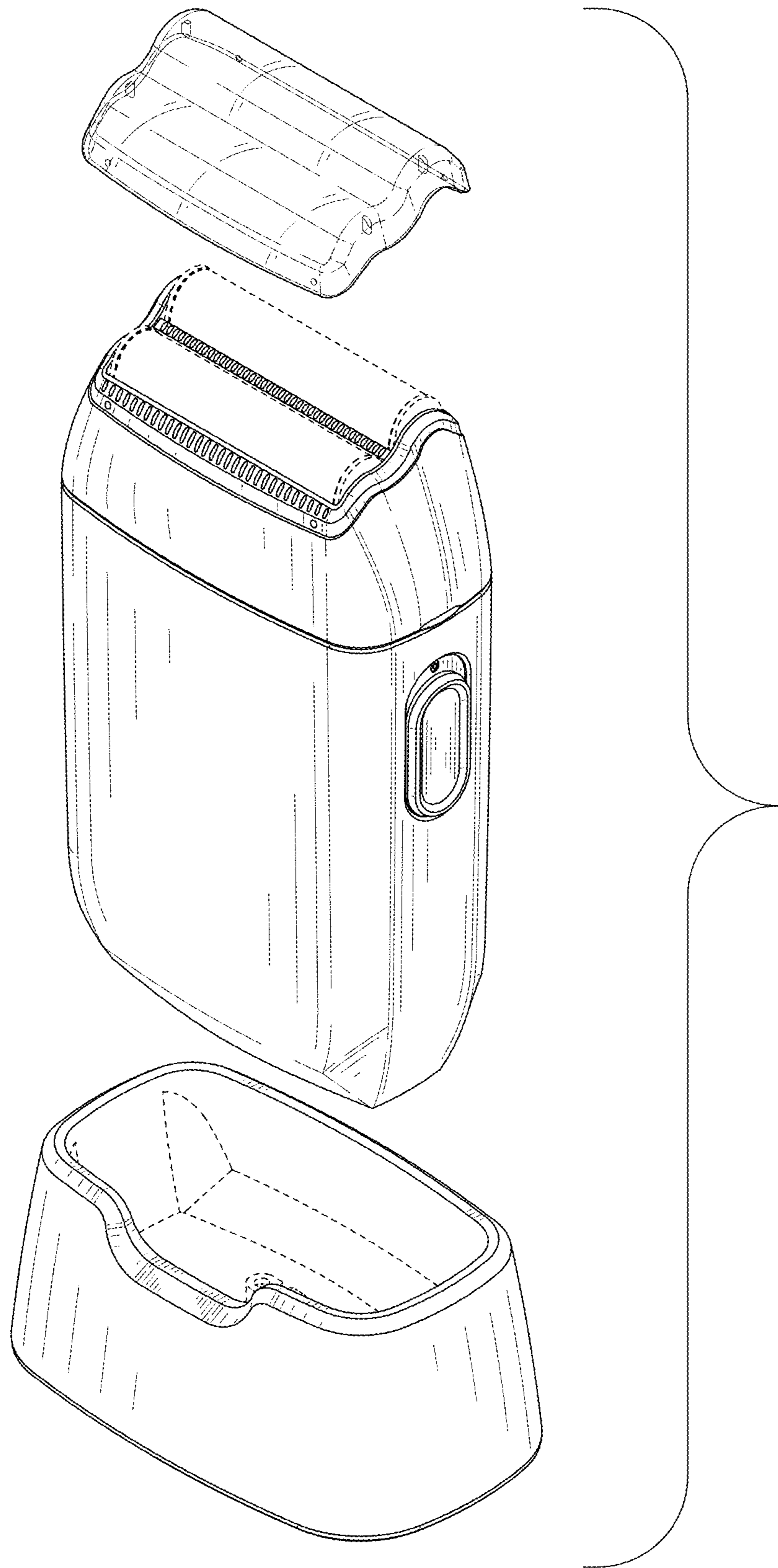


FIG. 9