



US00D984051S

(12) **United States Design Patent**  
**Wang**

(10) **Patent No.:** **US D984,051 S**  
(45) **Date of Patent:** **\*\* Apr. 18, 2023**

- (54) **HAIR CLIP**
- (71) Applicant: **Cuixiang Wang**, Shenzhen (CN)
- (72) Inventor: **Cuixiang Wang**, Shenzhen (CN)
- (\*\*) Term: **15 Years**
- (21) Appl. No.: **29/870,162**
- (22) Filed: **Jan. 18, 2023**
- (51) **LOC (14) Cl.** ..... **28-03**
- (52) **U.S. Cl.**  
USPC ..... **D28/40**
- (58) **Field of Classification Search**  
USPC ..... D28/39, 40, 42, 43  
CPC . A45D 8/00; A45D 8/002; A45D 8/14; A45D  
8/16; A45D 8/18; A45D 8/20; A45D  
8/22; A45D 8/24; A45D 8/30  
See application file for complete search history.

- D949,476 S \* 4/2022 Tan ..... D28/40
- D964,649 S 9/2022 Wu
- D970,812 S \* 11/2022 Jiang ..... D28/40
- D975,355 S \* 1/2023 Wang ..... D28/40

\* cited by examiner

*Primary Examiner* — Zenia I Bennett

(57) **CLAIM**

The ornamental design for a hair clip, as shown and described.

**DESCRIPTION**

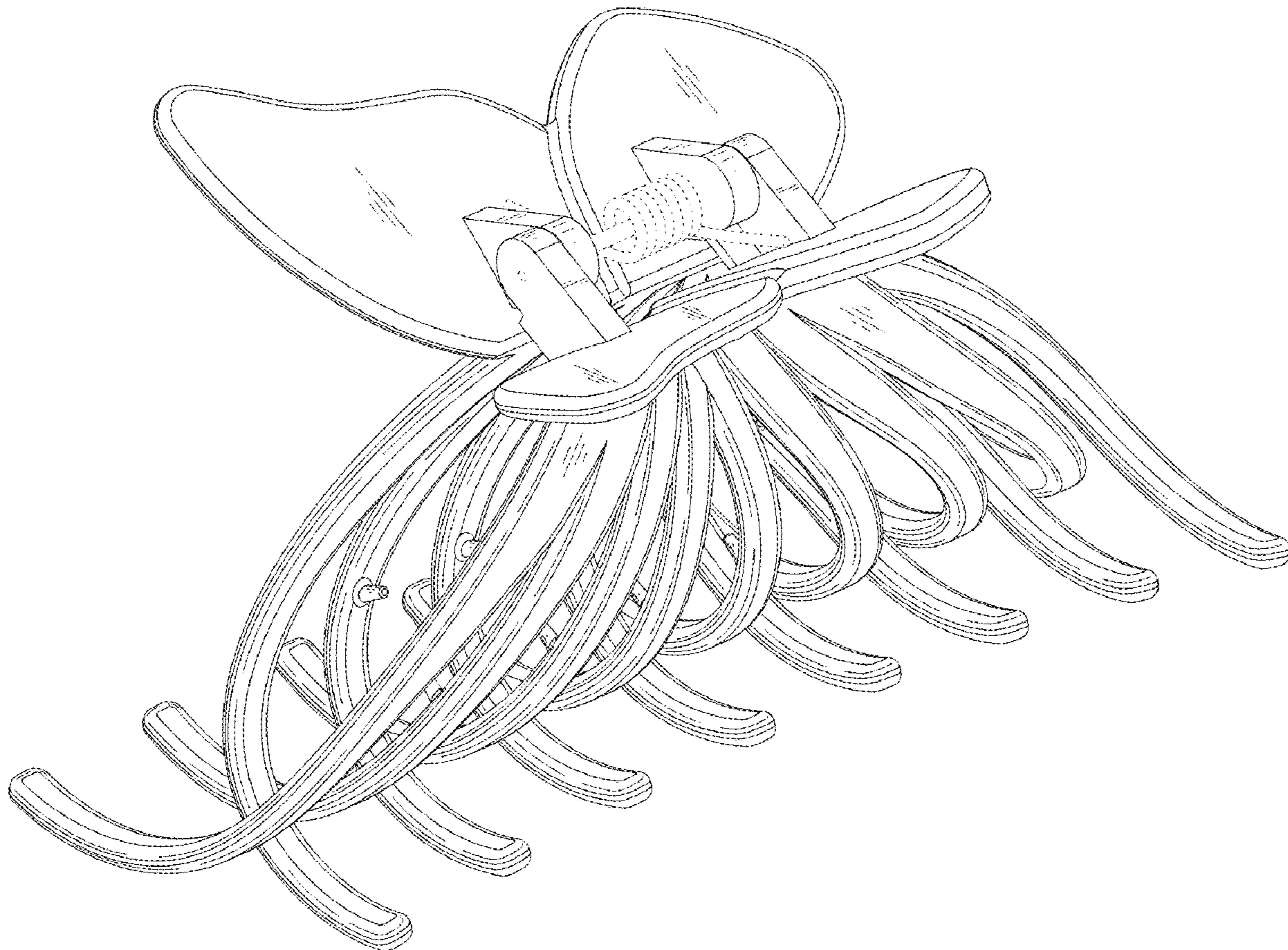
FIG. 1 is a front and top perspective view of a hair clip, showing my new design;  
 FIG. 2 is a rear and bottom perspective view thereof;  
 FIG. 3 is a front elevation view thereof;  
 FIG. 4 is a rear elevation view thereof;  
 FIG. 5 is a left side elevation view thereof;  
 FIG. 6 is a right side elevation view thereof;  
 FIG. 7 is a top plan view thereof; and,  
 FIG. 8 is a bottom plan view thereof.  
 The broken lines in the figures illustrate portions of the hair clip that form no part of the claimed design.

(56) **References Cited**

**U.S. PATENT DOCUMENTS**

- D293,490 S \* 12/1987 Cabiddu ..... D28/40
- D428,202 S \* 7/2000 Tsai ..... D28/40
- D635,715 S \* 4/2011 Hsu ..... D28/40

**1 Claim, 8 Drawing Sheets**



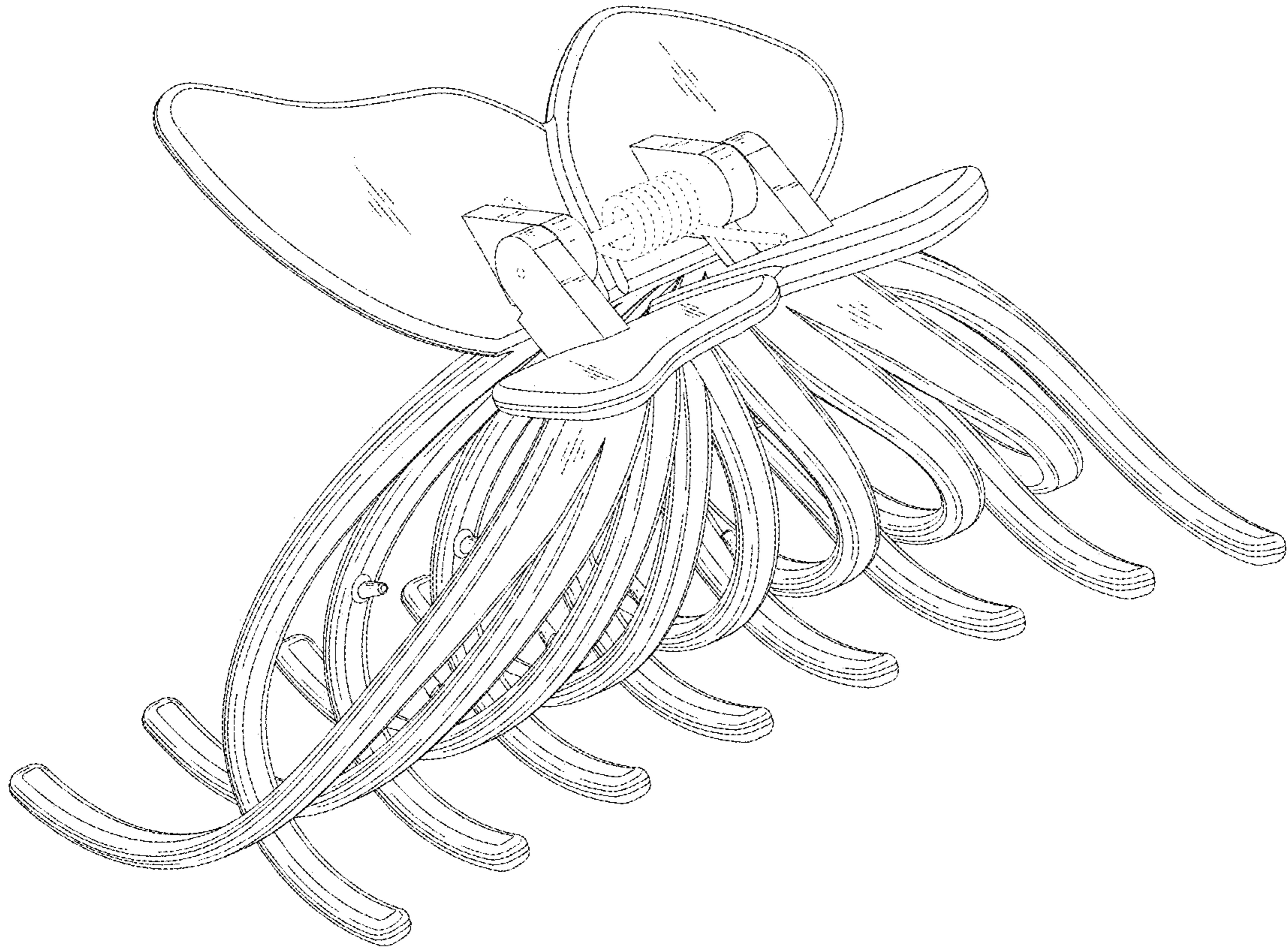


FIG. 1

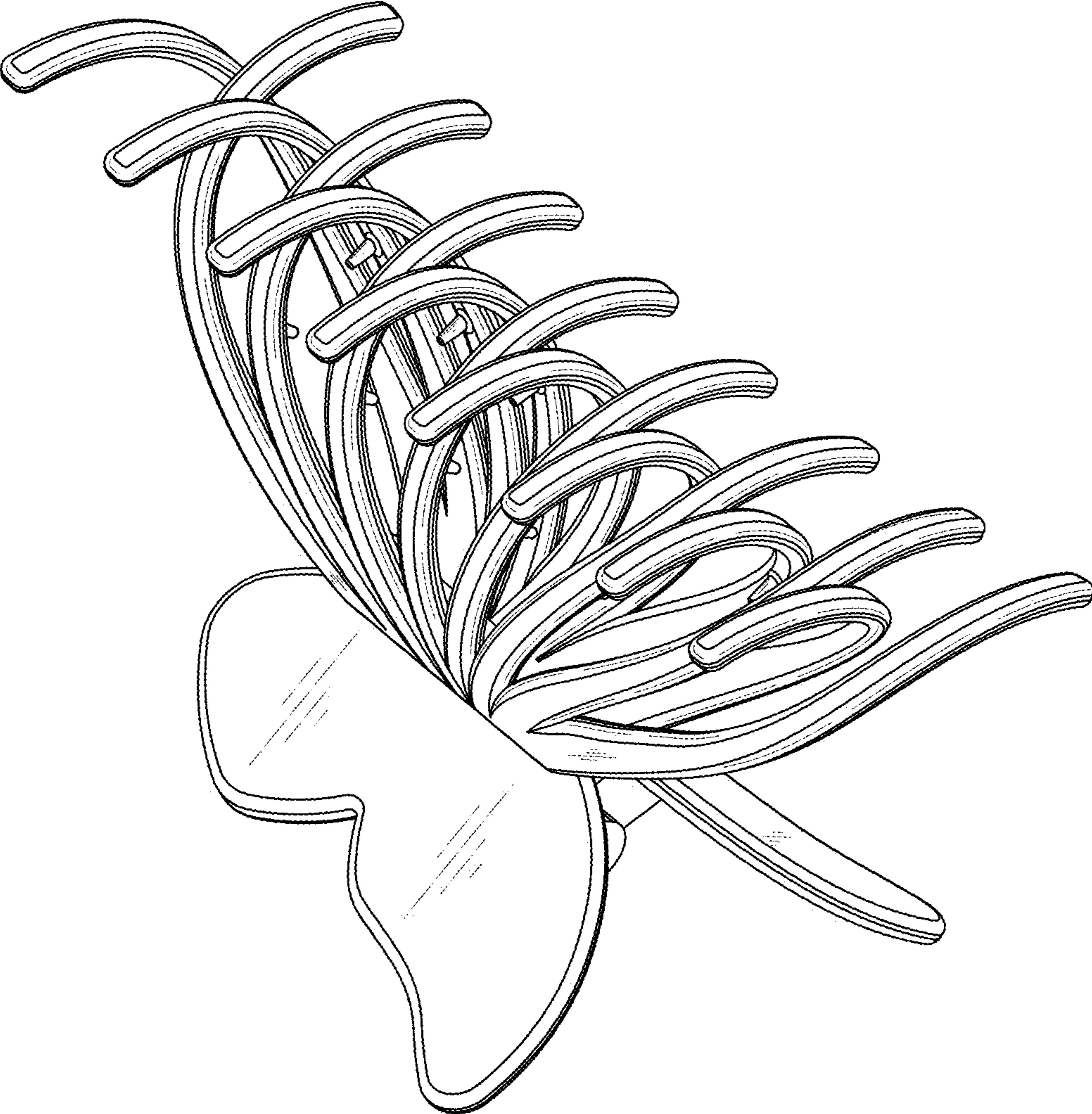


FIG. 2

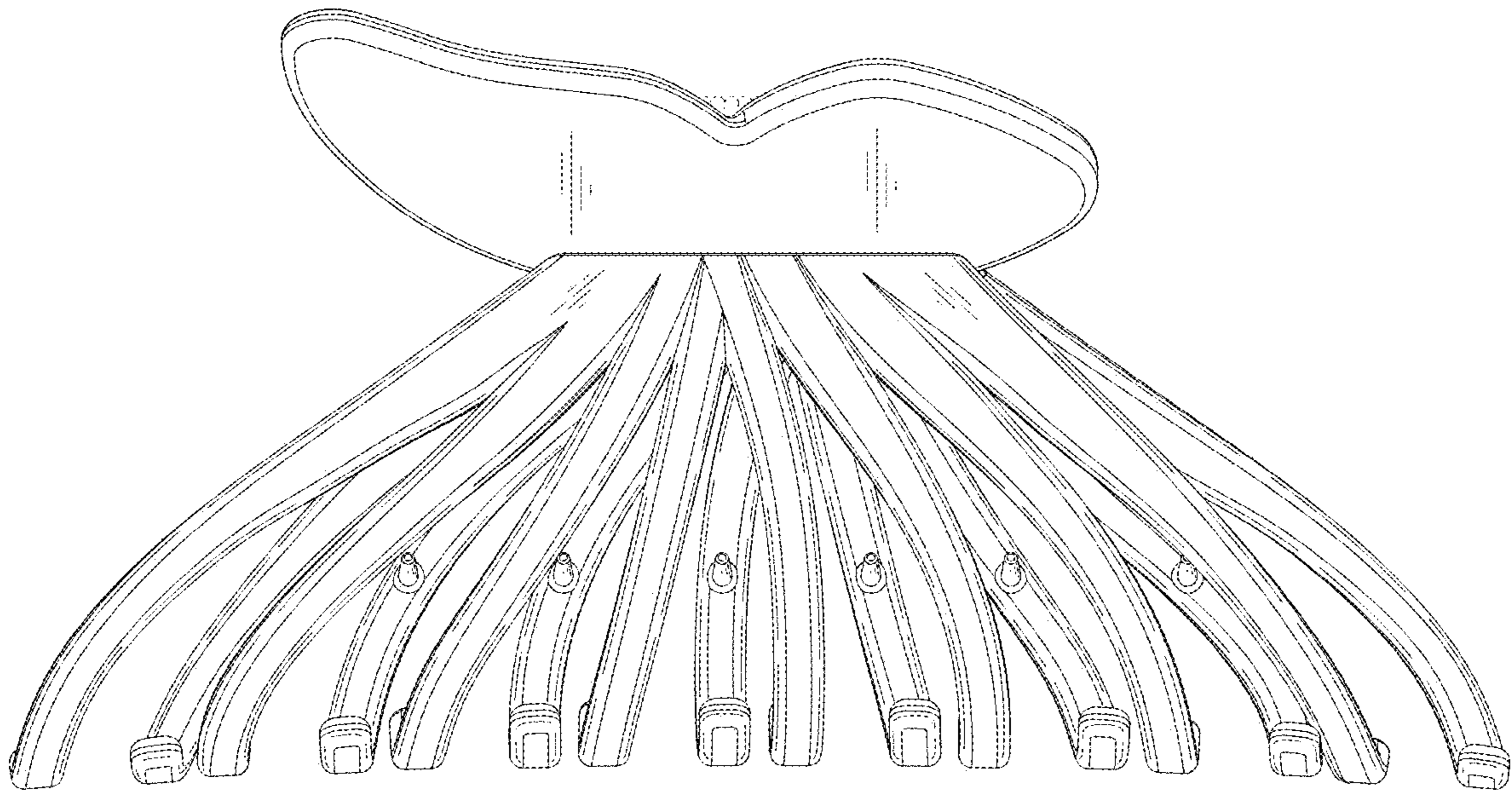


FIG. 3

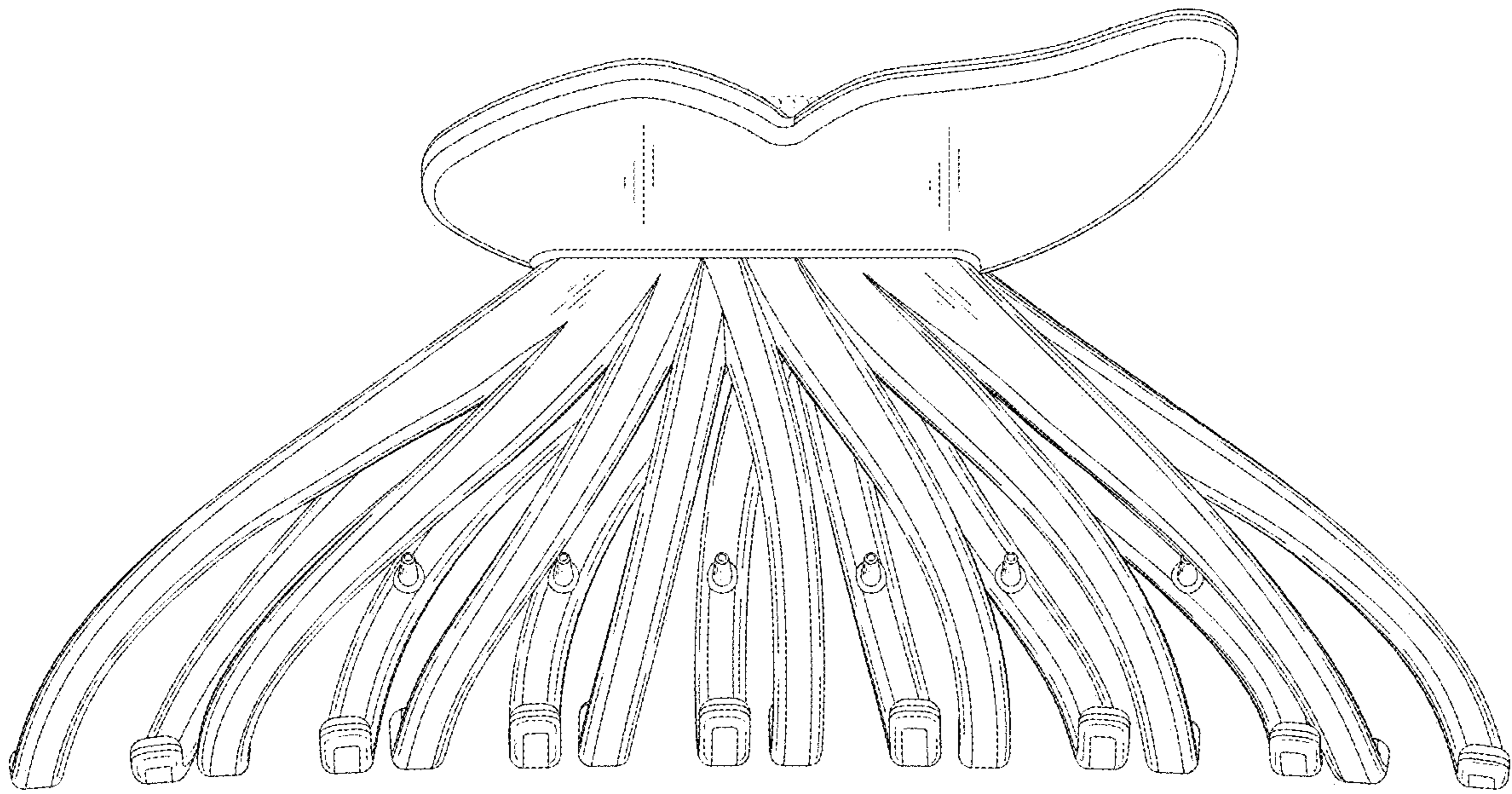


FIG. 4

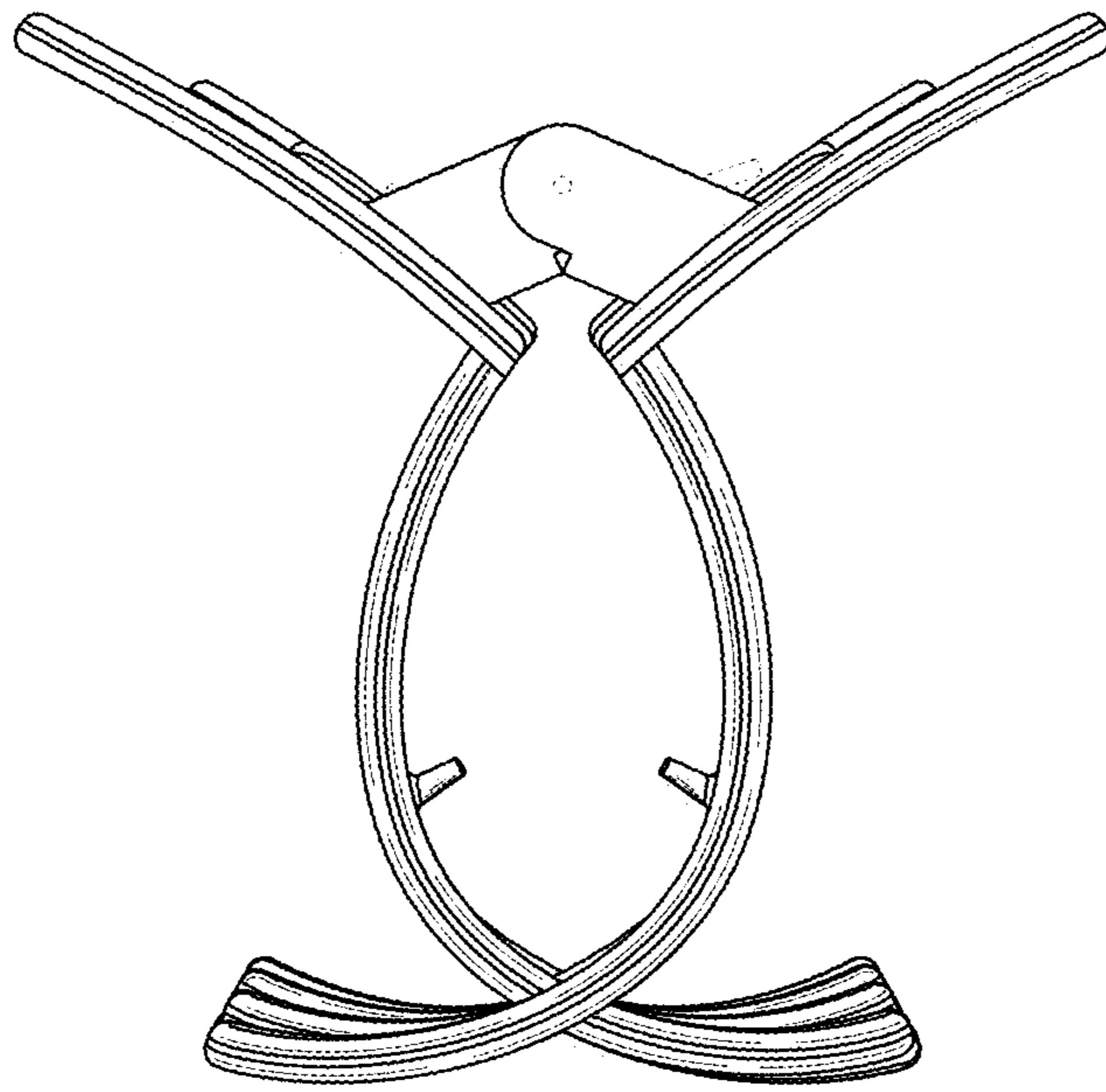


FIG. 5

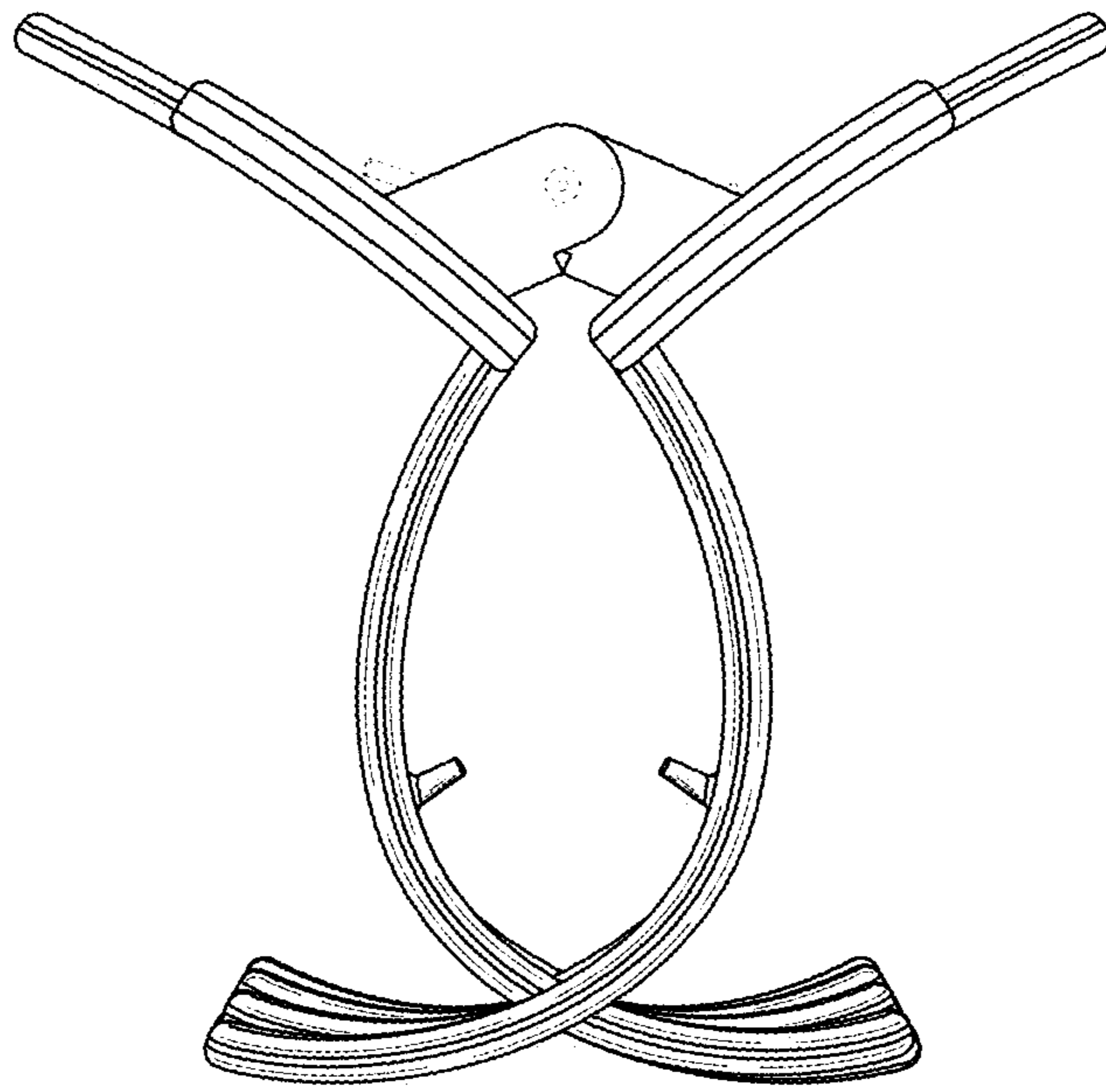


FIG. 6

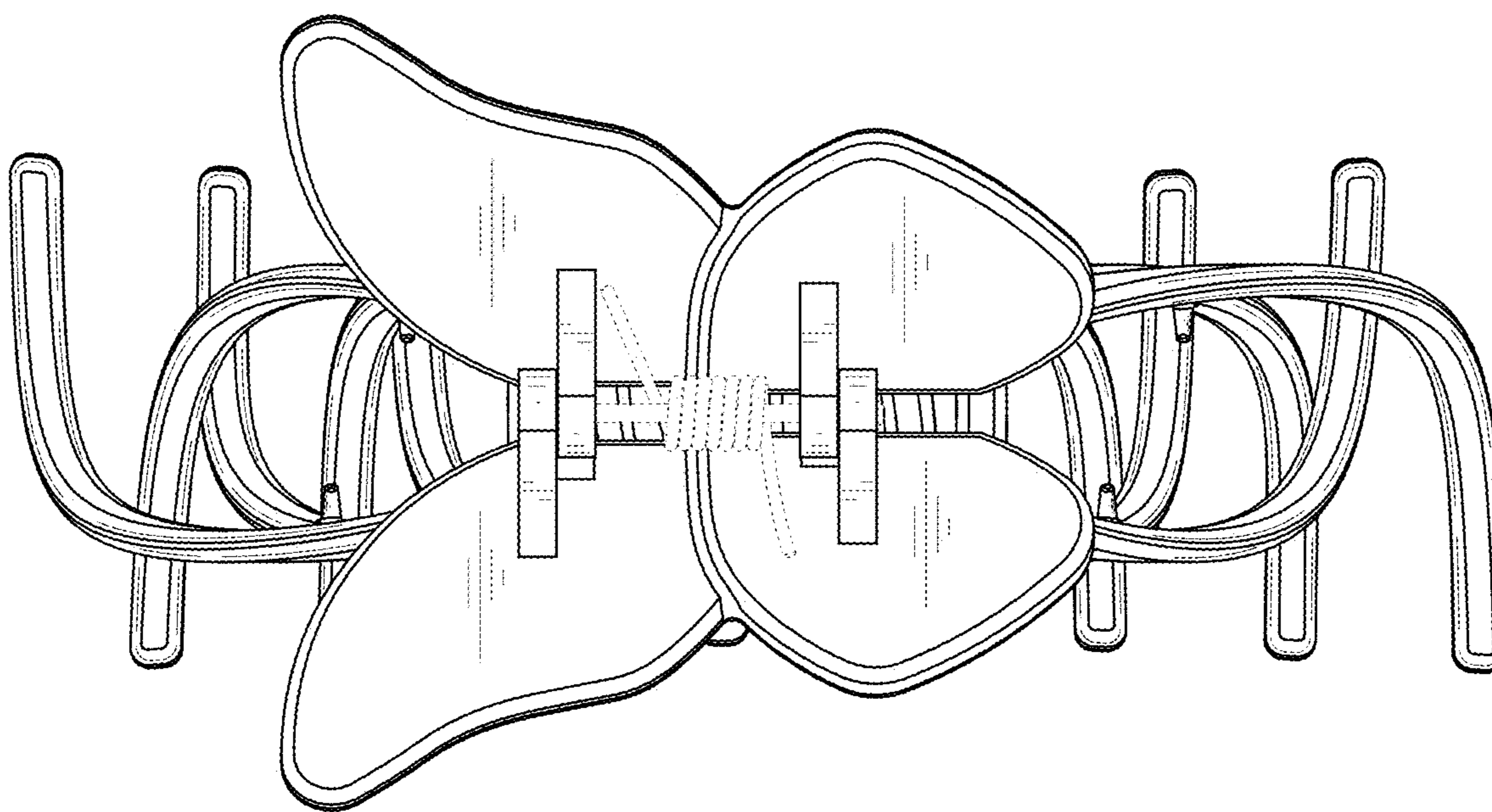


FIG. 7



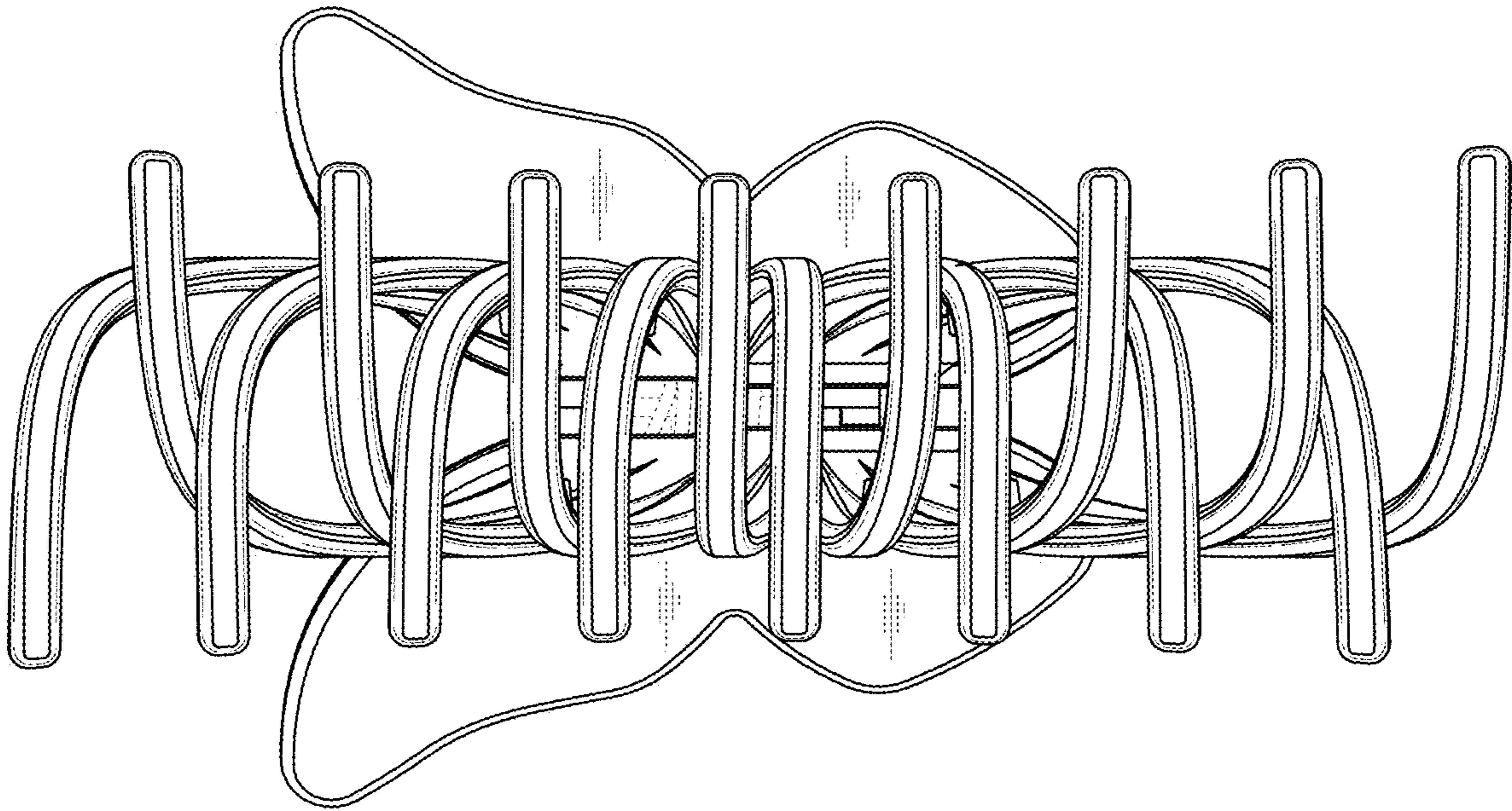


FIG. 8