



US00D984047S

(12) **United States Design Patent**
Tatreaux et al.

(10) **Patent No.:** **US D984,047 S**

(45) **Date of Patent:** **** Apr. 18, 2023**

(54) **HAIR COLORANT DISPENSER**

(71) Applicant: **L'OREAL**, Paris (FR)

(72) Inventors: **Léa Tatreaux**, Clichy (FR); **Théophile Collet**, Clichy (FR); **Cécile Eurippini**, Clichy (FR); **Anna Sleurs**, Clichy (FR); **Jovana Arsic**, Clichy (FR); **Souheil Ennabili**, Clichy (FR)

(73) Assignee: **L'OREAL**, Paris (FR)

(**) Term: **15 Years**

(21) Appl. No.: **29/794,164**

(22) Filed: **Jun. 10, 2021**

(30) **Foreign Application Priority Data**

Mar. 30, 2021 (EM) 008482277

(51) **LOC (14) Cl.** **28-03**

(52) **U.S. Cl.**
USPC **D28/20**

(58) **Field of Classification Search**
USPC D28/4, 7, 9, 20; D4/114, 116, 136, 199
CPC A45D 24/22
See application file for complete search history.

(56) **References Cited**

U.S. PATENT DOCUMENTS

D295,118 S * 4/1988 Valenza D4/114
D466,305 S * 12/2002 Seo D28/20
D532,979 S * 12/2006 Viola D4/125
D577,494 S * 9/2008 McBarnett D4/114

D594,233 S * 6/2009 Cook D4/114
D739,659 S * 9/2015 Sun D4/130
D823,604 S * 7/2018 Pham D4/114
D897,688 S * 10/2020 Li D4/136

* cited by examiner

Primary Examiner — Zenia I Bennett

(74) *Attorney, Agent, or Firm* — Edell, Shapiro & Finnan, LLC

(57) **CLAIM**

The ornamental design for a hair colorant dispenser, as shown and described.

DESCRIPTION

FIG. 1 is a front, left, top perspective view of a hair colorant dispenser.

FIG. 2 is rear, right, bottom perspective view of the hair colorant dispenser of FIG. 1.

FIG. 3 is a front elevation view of the hair colorant dispenser of FIG. 1.

FIG. 4 is a rear elevation view of the hair colorant dispenser of FIG. 1.

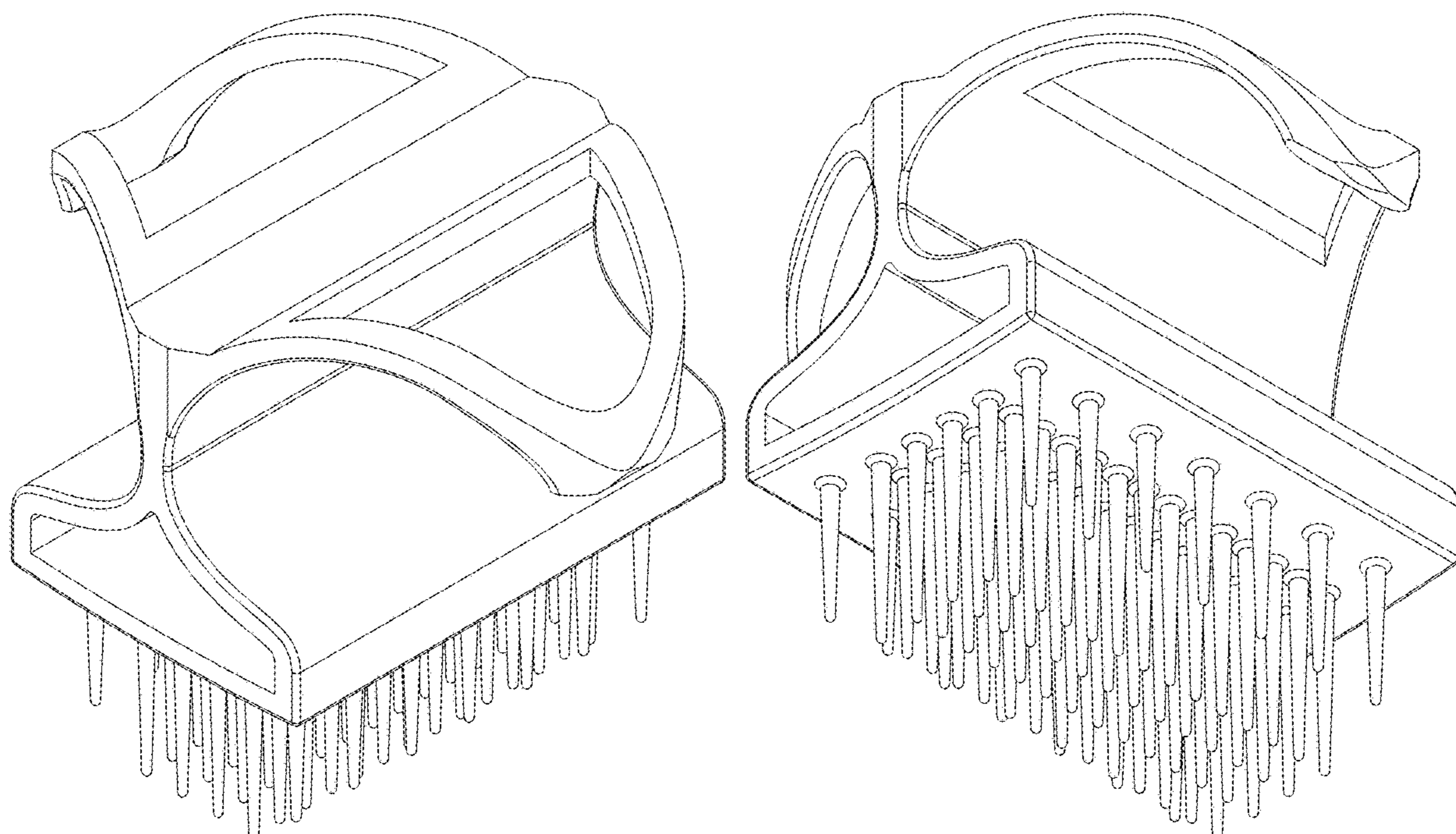
FIG. 5 is a left side elevation view of the hair colorant dispenser of FIG. 1.

FIG. 6 is a right side elevation view of the hair colorant dispenser of FIG. 1.

FIG. 7 is a top plan view of the hair colorant dispenser of FIG. 1; and,

FIG. 8 is a bottom plan view of the hair colorant dispenser of FIG. 1.

1 Claim, 4 Drawing Sheets



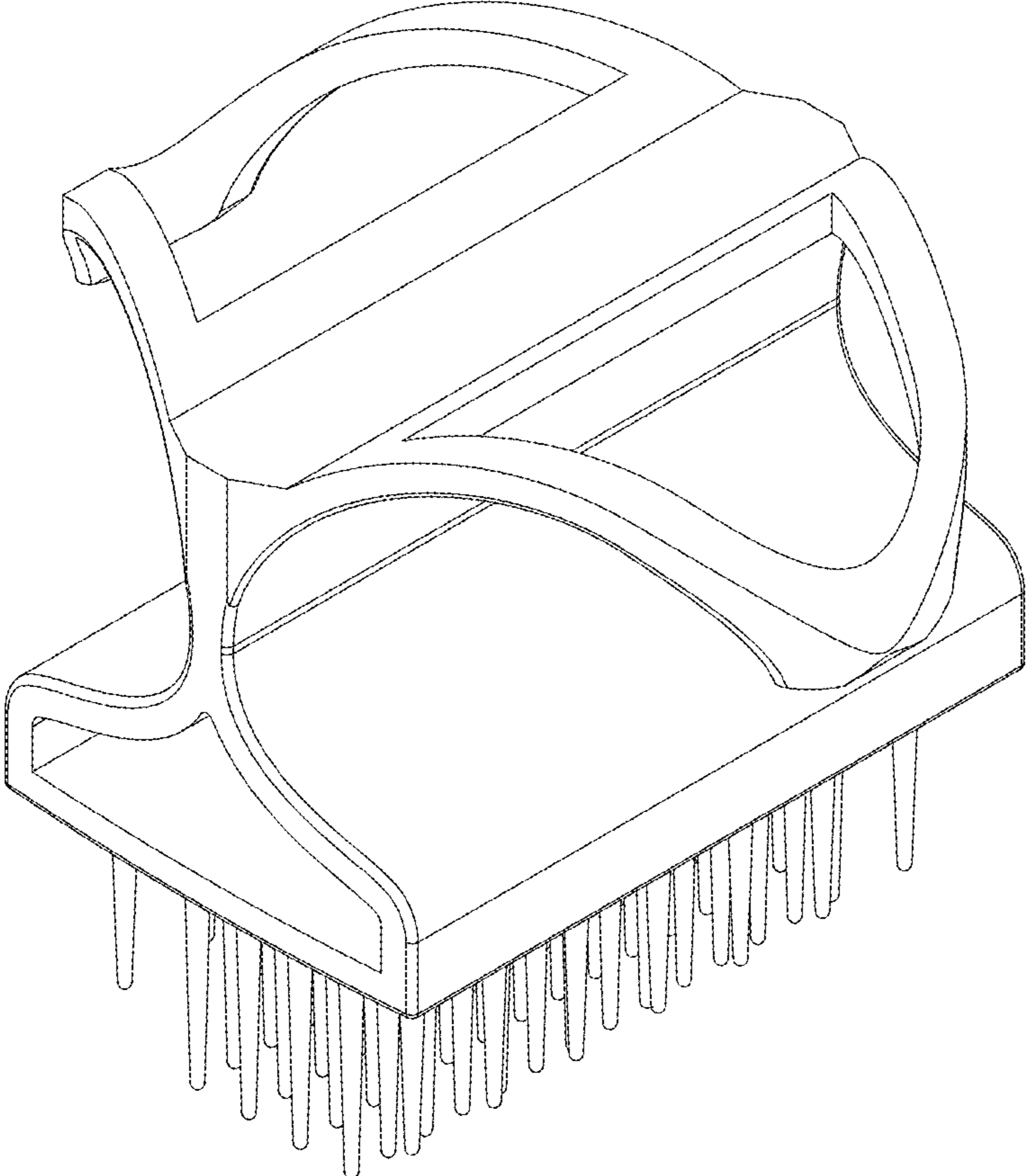


FIG.1

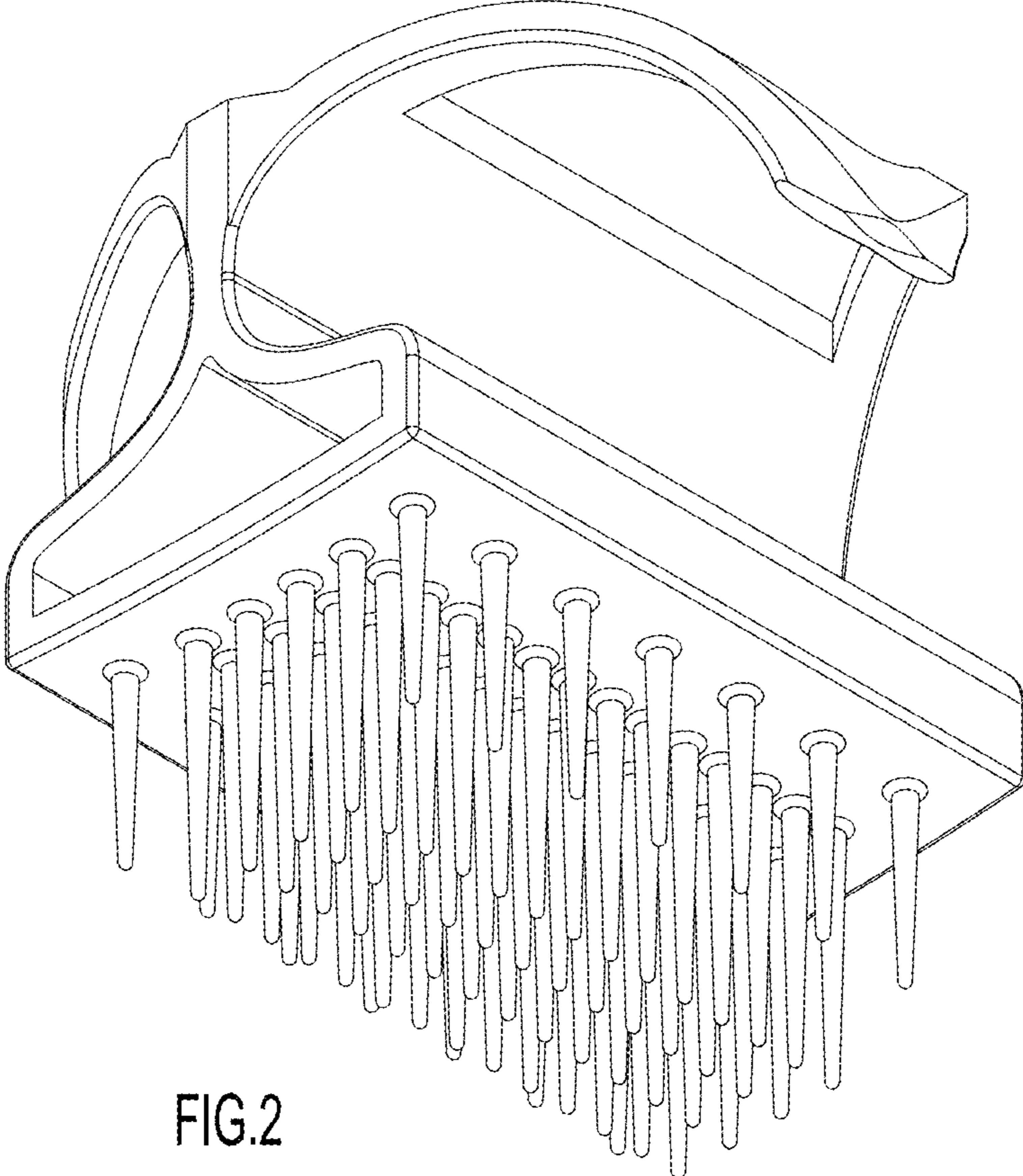


FIG.2

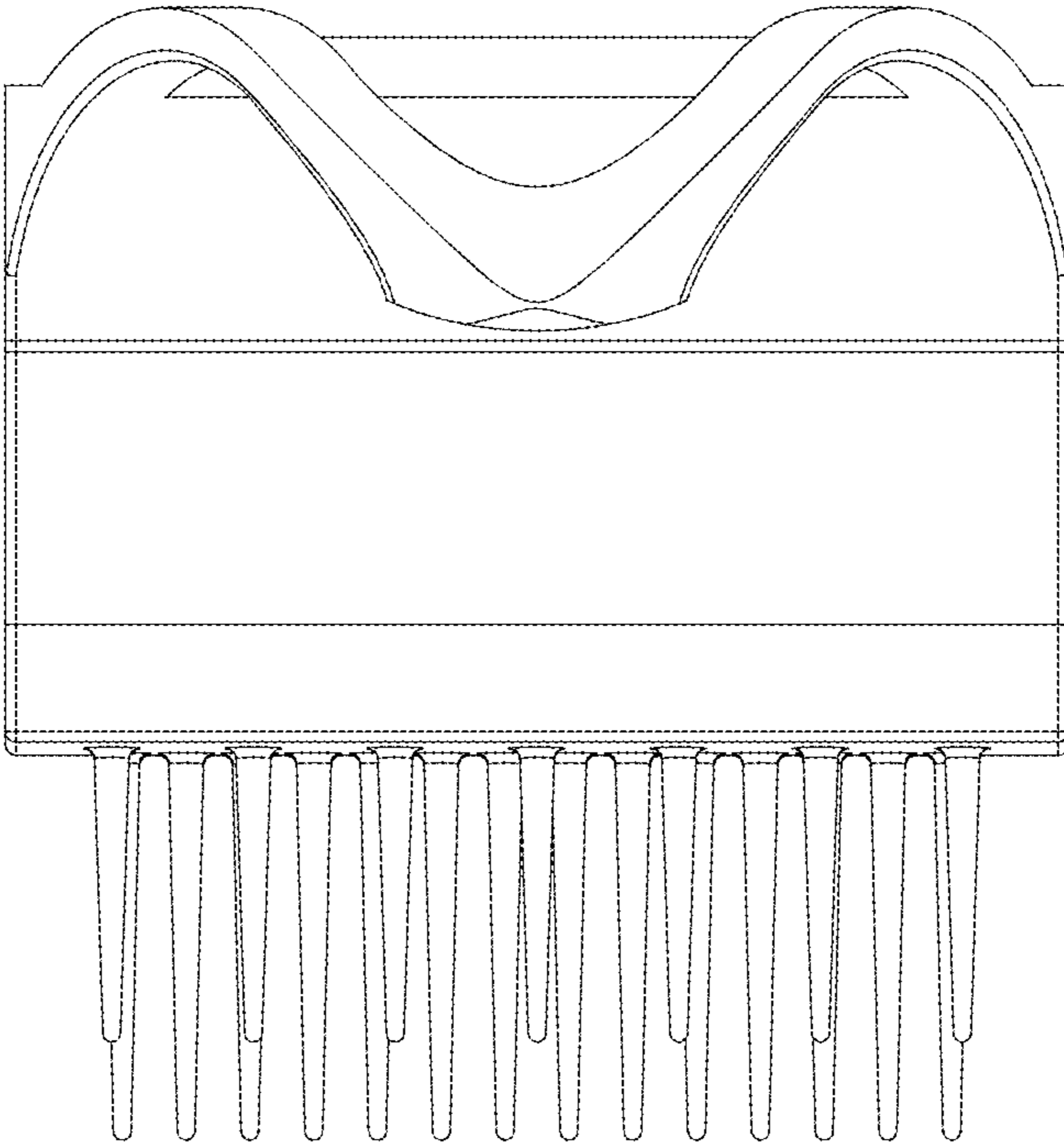


FIG.3

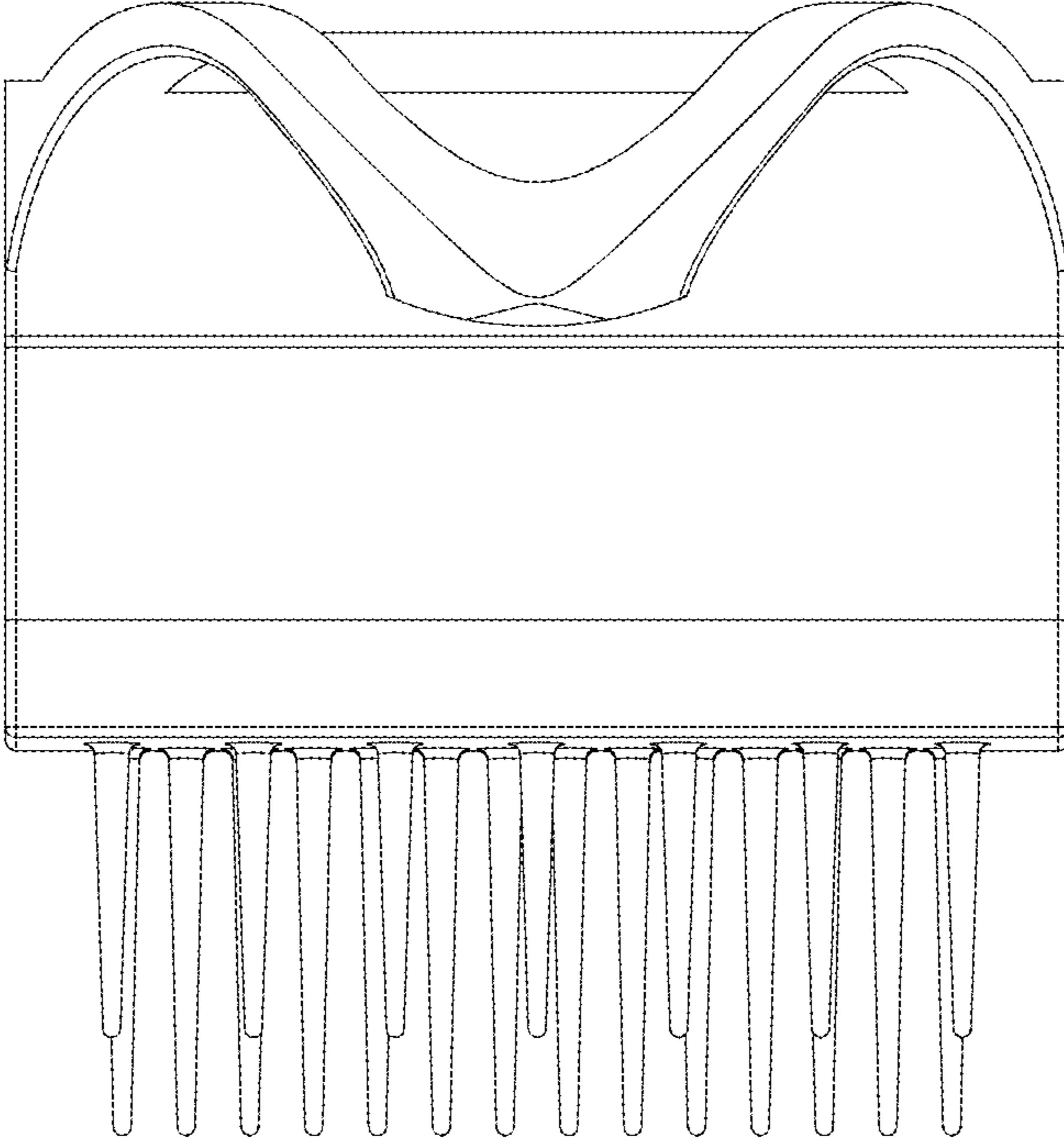


FIG.4

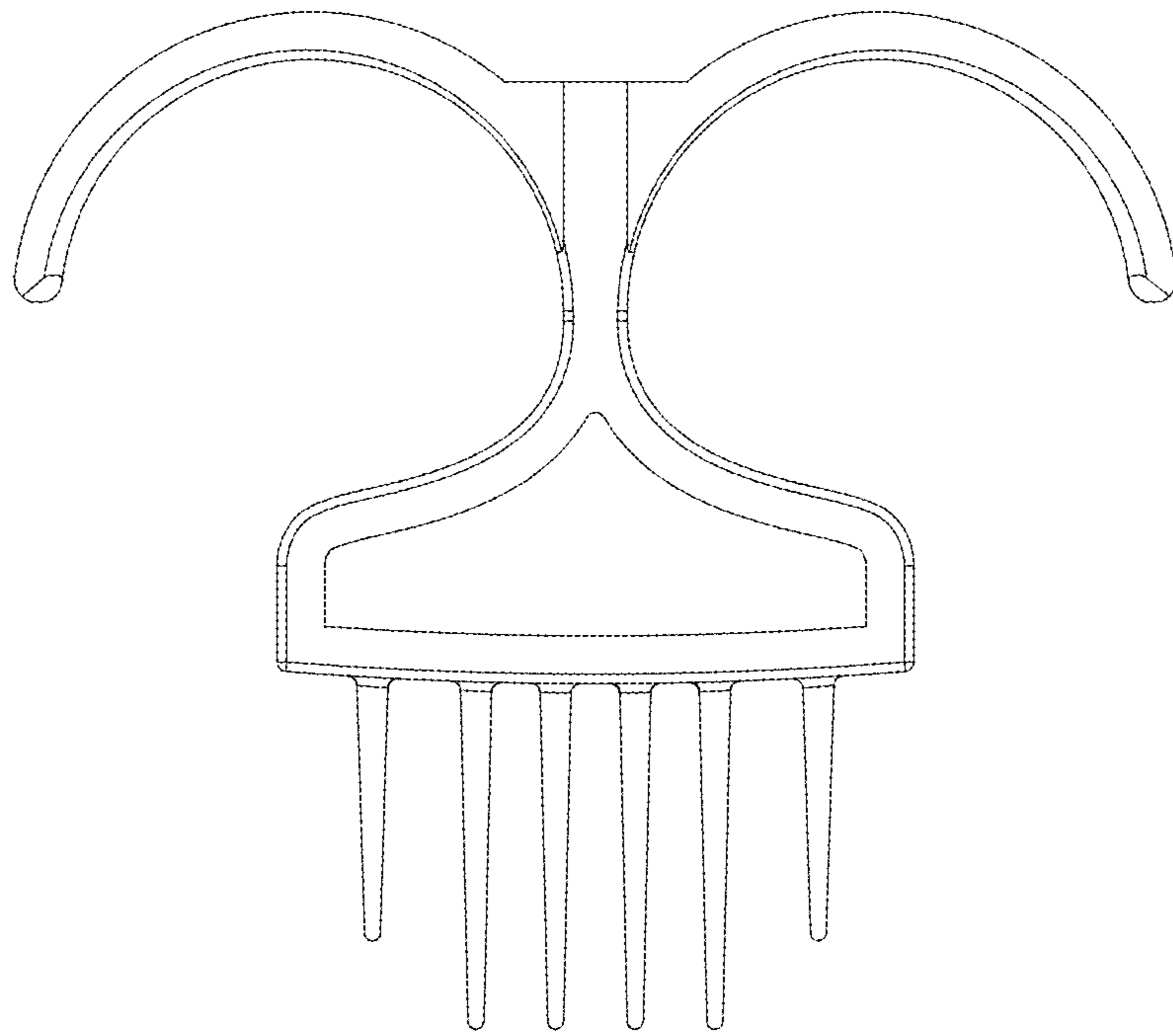


FIG.5

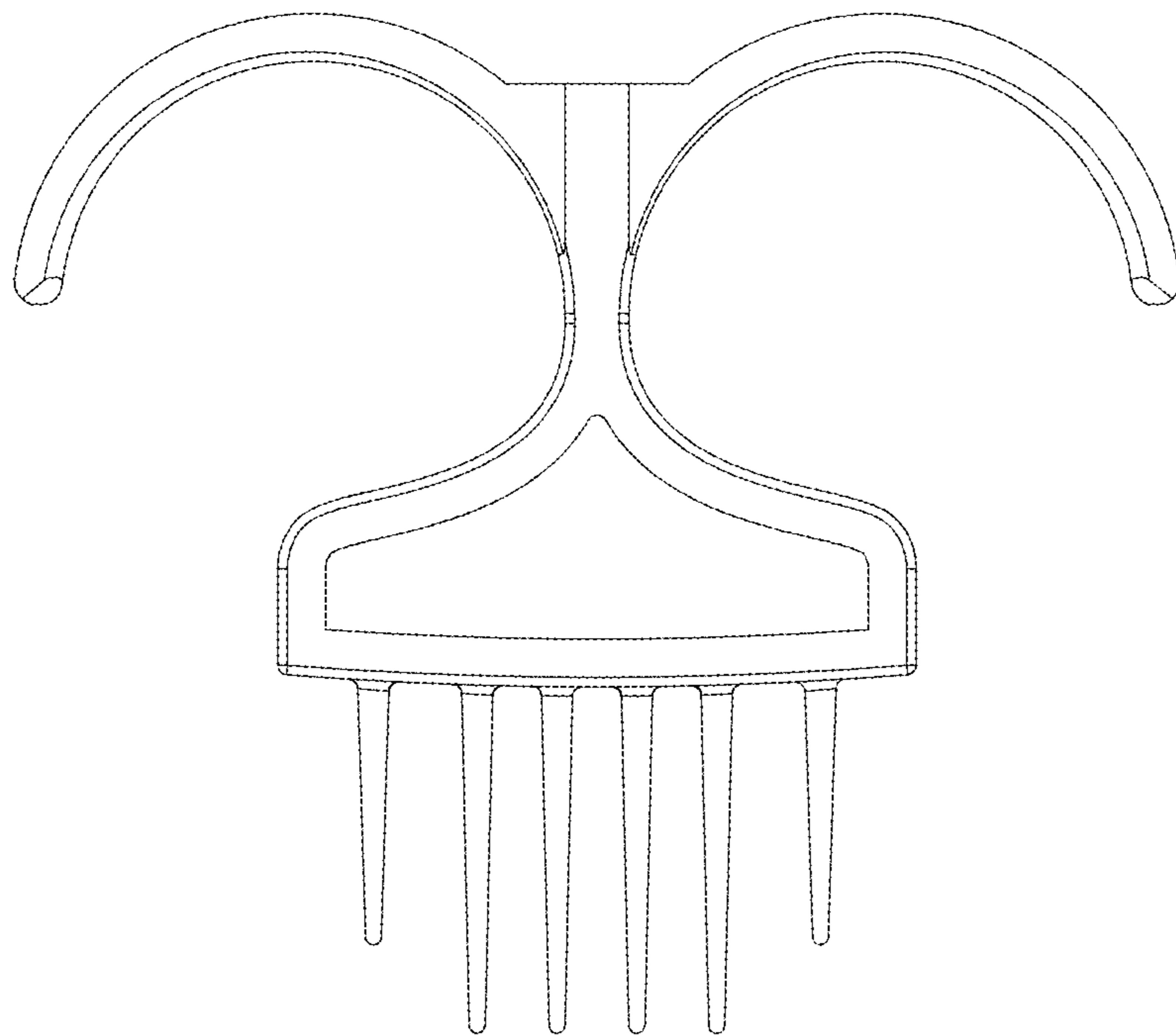


FIG.6

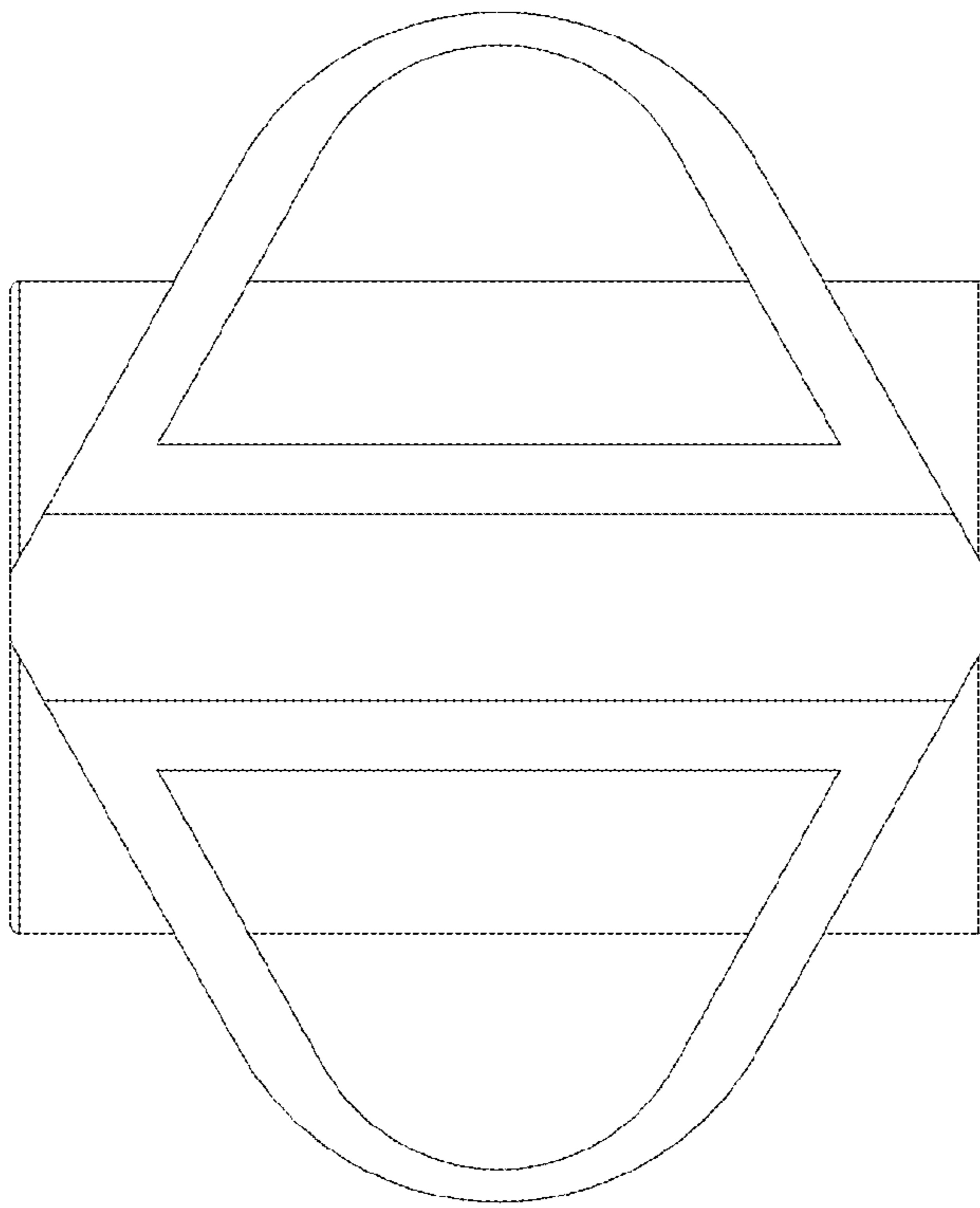


FIG. 7

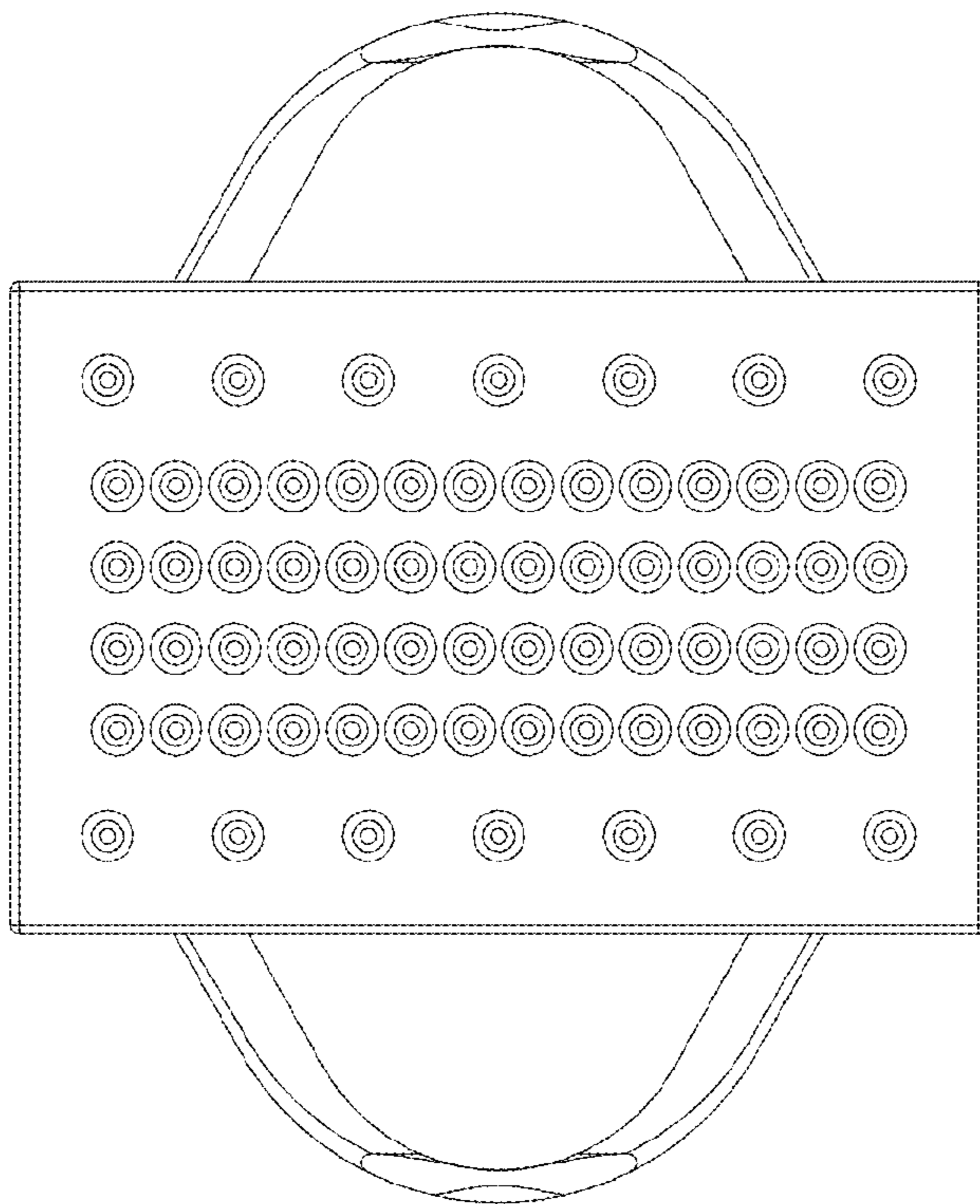


FIG. 8