



US00D984046S

(12) **United States Design Patent**
Sheregar

(10) **Patent No.:** **US D984,046 S**
(45) **Date of Patent:** **** Apr. 18, 2023**

(54) **HAIR COLORANT DISPENSER**

D736,102 S * 8/2015 Tsai D9/723
D851,499 S * 6/2019 Han D9/723
D858,282 S * 9/2019 Han D28/7
D908,500 S * 1/2021 Aboabdo D9/503

(71) Applicant: **L'OREAL**, Paris (FR)

(72) Inventor: **Venkatesh Sheregar**, Shanghai (CN)

* cited by examiner

(73) Assignee: **L'OREAL**, Paris (FR)

Primary Examiner — Zenia I Bennett

(**) Term: **15 Years**

(74) *Attorney, Agent, or Firm* — Edell, Shapiro & Finnan, LLC

(21) Appl. No.: **29/783,476**

(22) Filed: **May 13, 2021**

(57) **CLAIM**

The ornamental design for a hair colorant dispenser, as shown and described.

(30) **Foreign Application Priority Data**

Nov. 24, 2020 (EM) 008280739

DESCRIPTION

(51) **LOC (14) Cl.** **28-03**

(52) **U.S. Cl.**
USPC **D28/20**

(58) **Field of Classification Search**
USPC D28/4, 7, 9, 20; D4/114, 116, 136, 199;
D9/723
CPC A45D 24/22
See application file for complete search history.

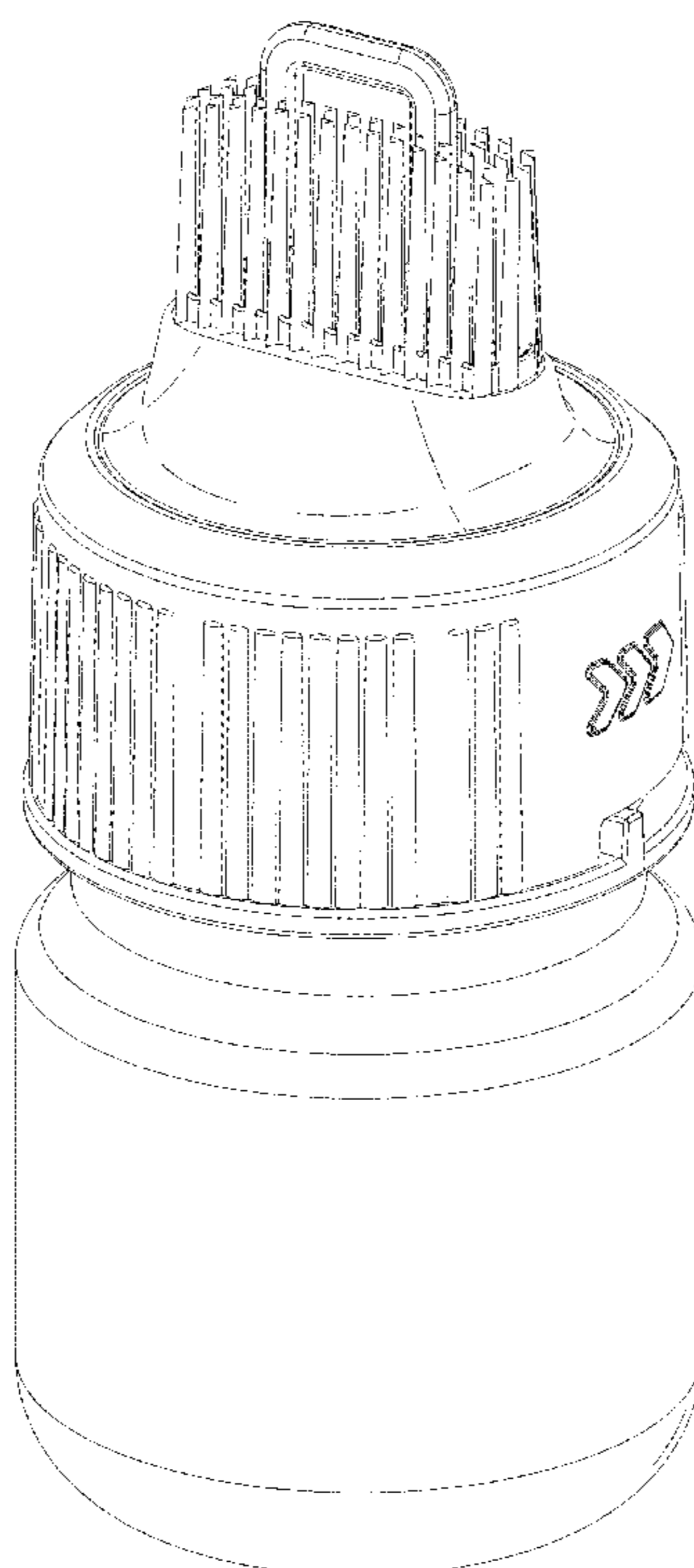
FIG. 1 is a front, right, top perspective view of a hair colorant dispenser.
FIG. 2 is a rear, left, bottom perspective view of the hair colorant dispenser of FIG. 1.
FIG. 3 is a front elevation view of the hair colorant dispenser of FIG. 1.
FIG. 4 is a rear elevation view of the hair colorant dispenser of FIG. 1.
FIG. 5 is a left side elevation view of the hair colorant dispenser of FIG. 1.
FIG. 6 is a right side elevation view of the hair colorant dispenser of FIG. 1.
FIG. 7 is a top plan view of the hair colorant dispenser of FIG. 1; and,
FIG. 8 is a bottom plan view of the hair colorant dispenser of FIG. 1.

(56) **References Cited**

U.S. PATENT DOCUMENTS

D183,190 S * 7/1958 Zampetti D4/114
D251,826 S * 5/1979 Hartung D9/718
6,260,557 B1 * 7/2001 Yarbrough A45D 24/22
132/114
D450,884 S * 11/2001 Yoshida D28/20
D525,145 S * 7/2006 Davis D28/20
D527,652 S * 9/2006 Davis D9/542

1 Claim, 7 Drawing Sheets



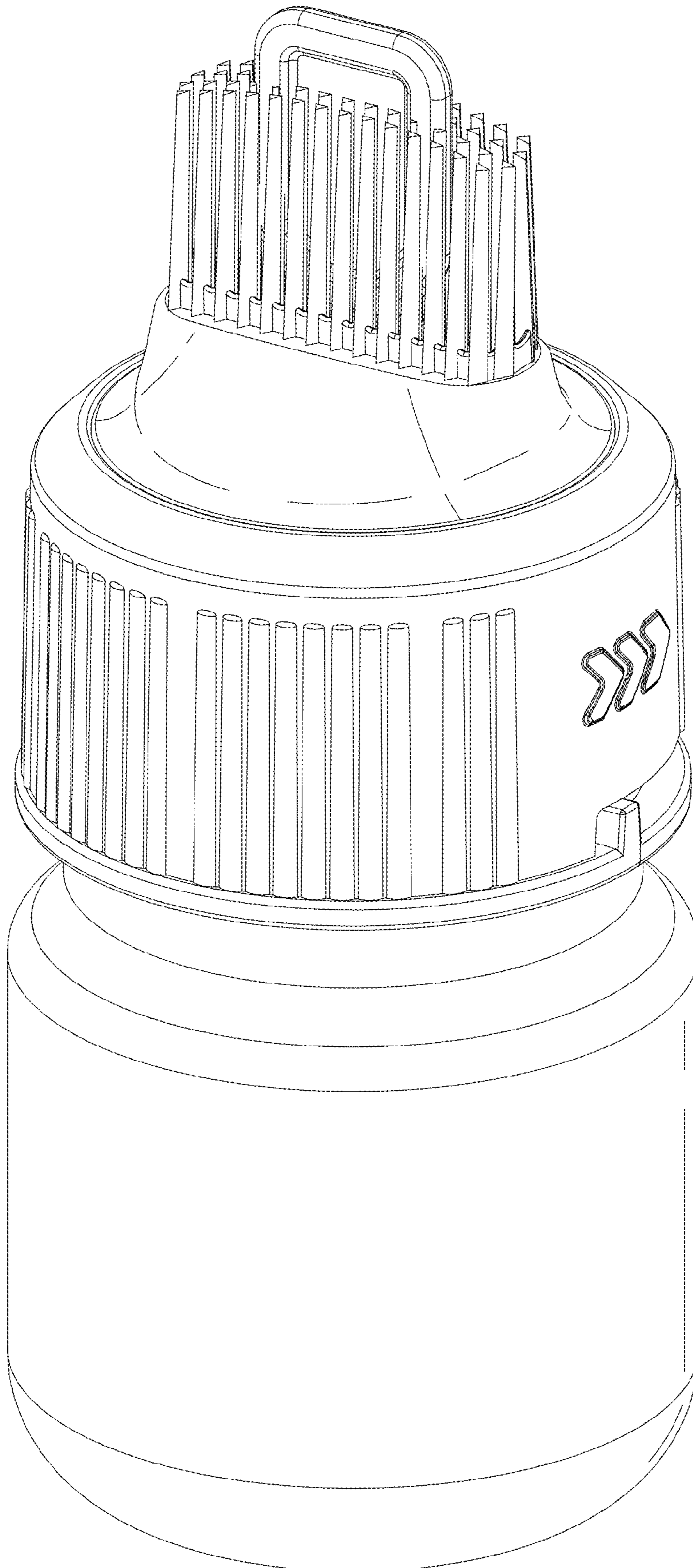


FIG.1

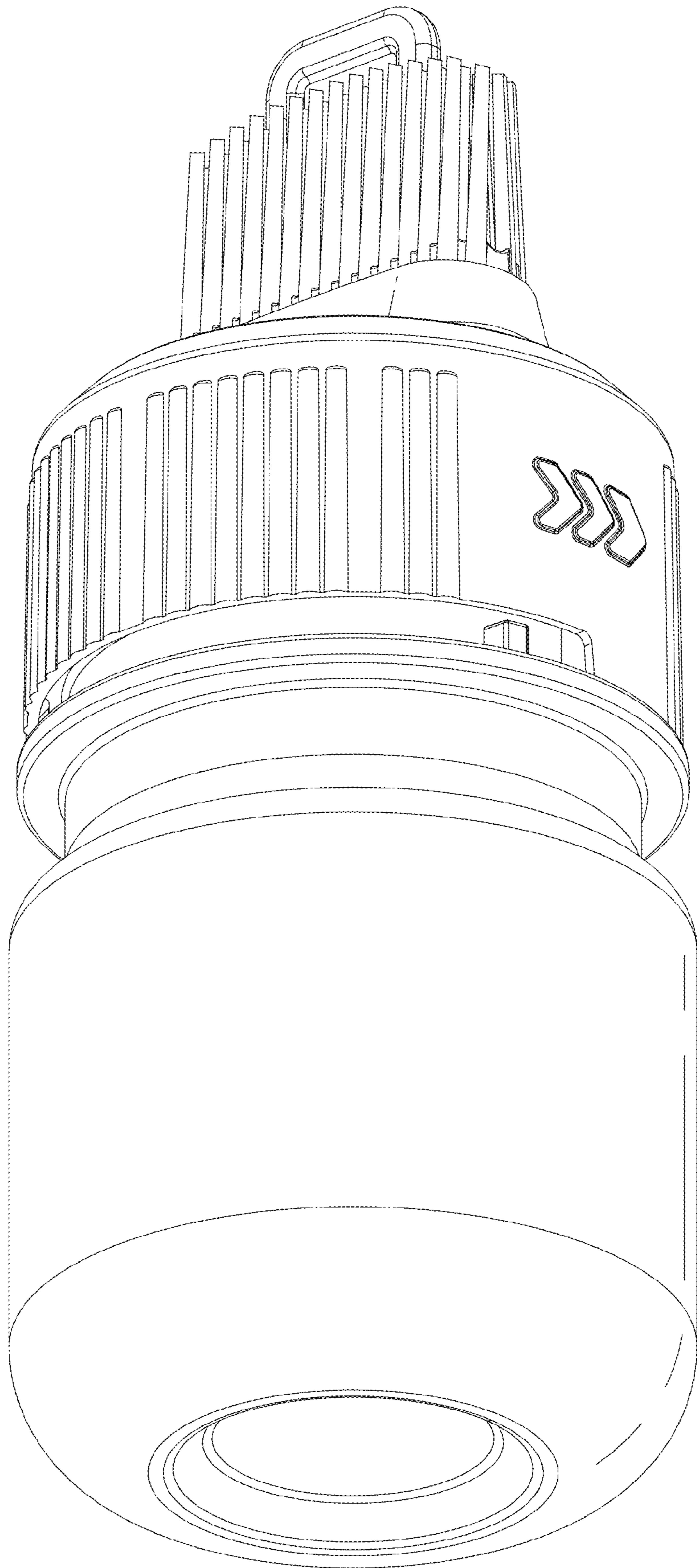


FIG.2

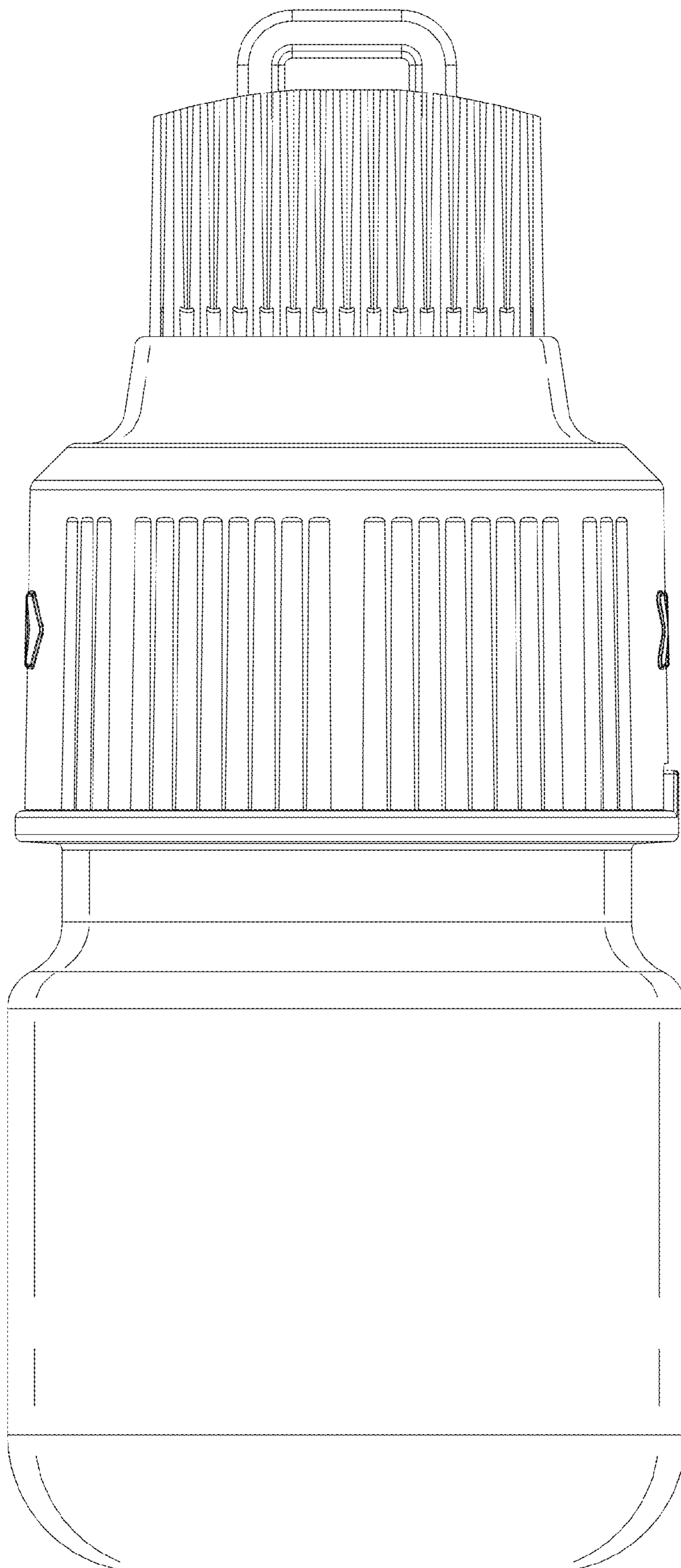


FIG.3

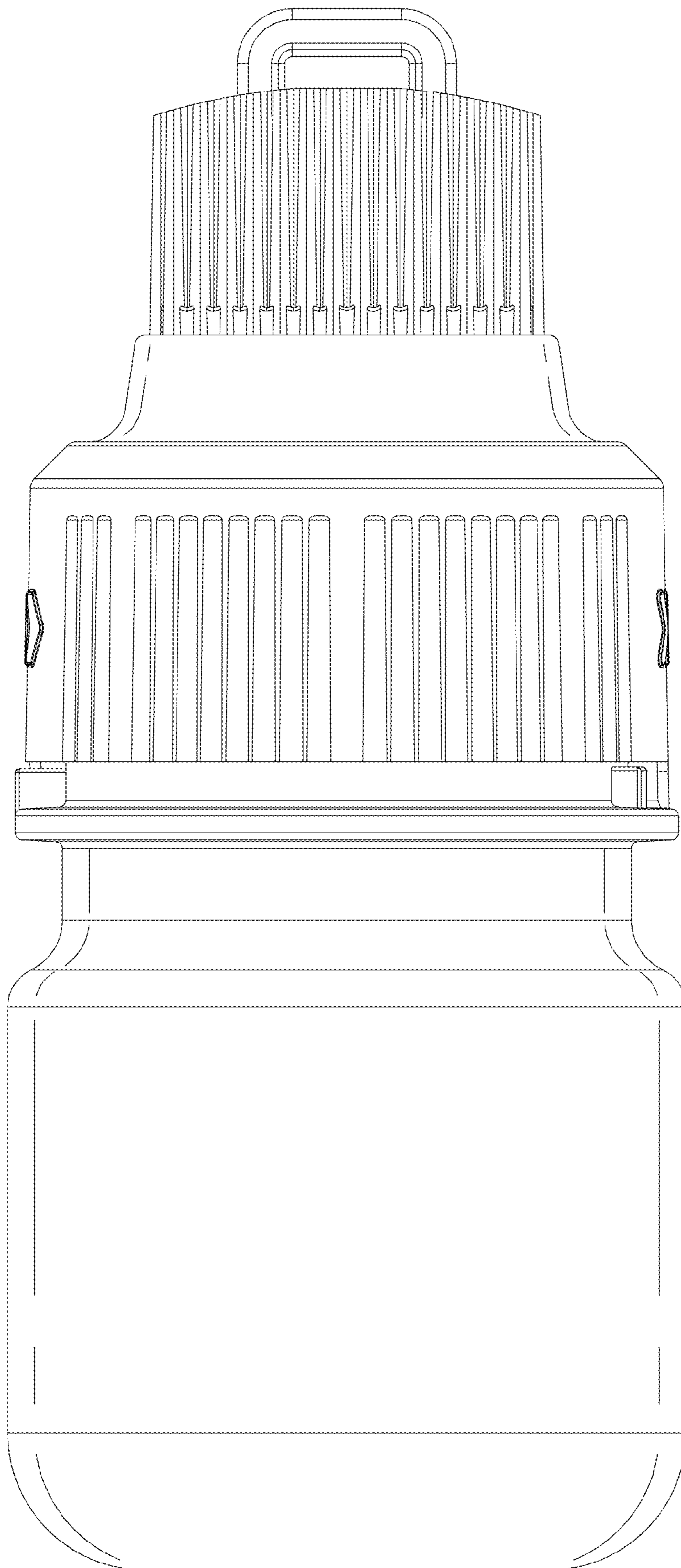


FIG.4

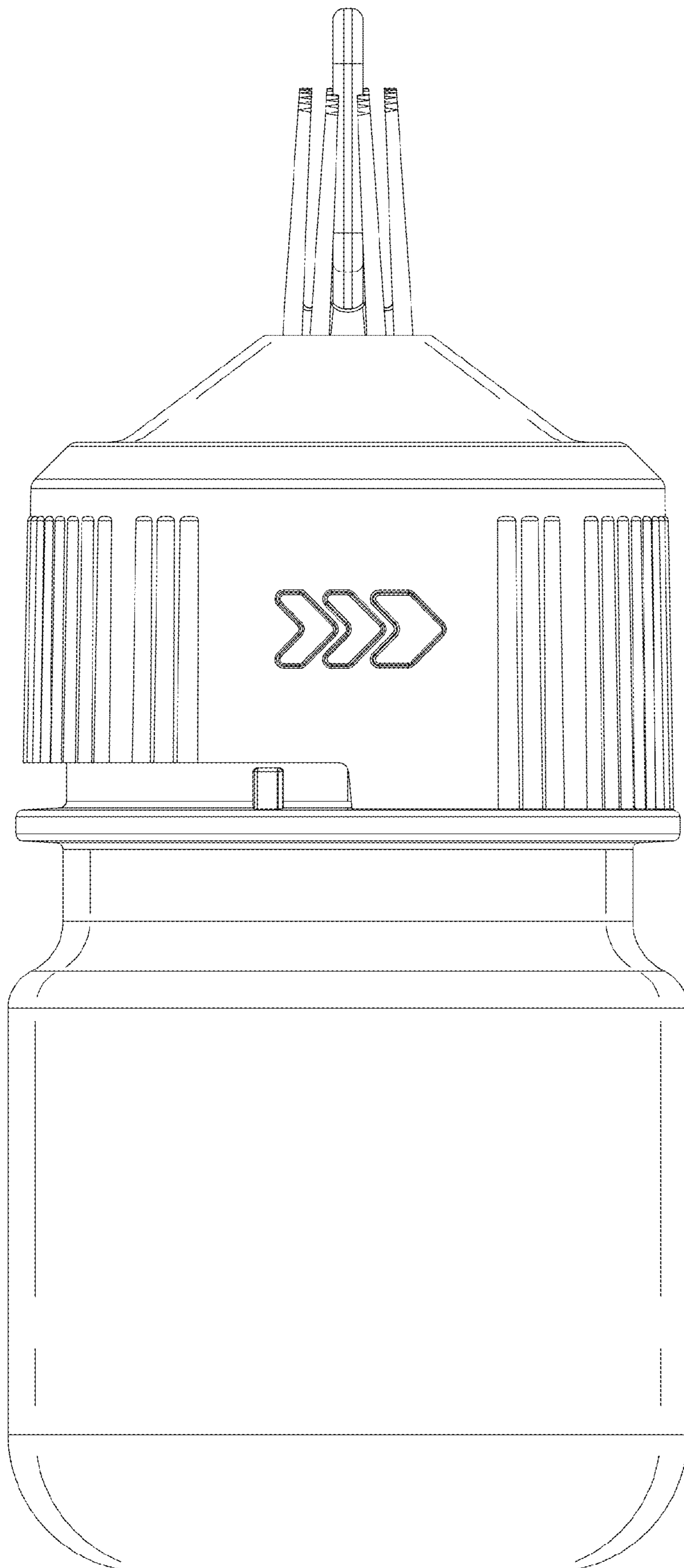


FIG.5

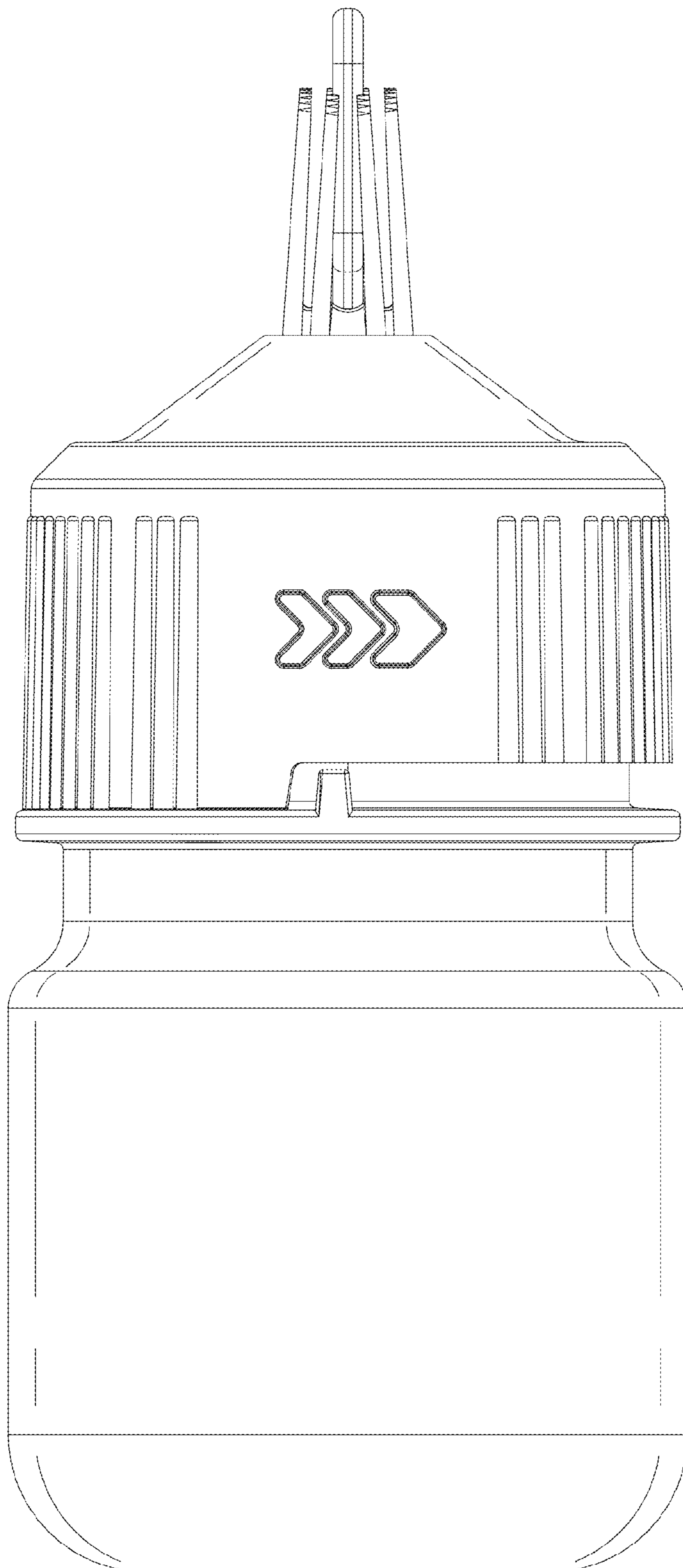


FIG.6

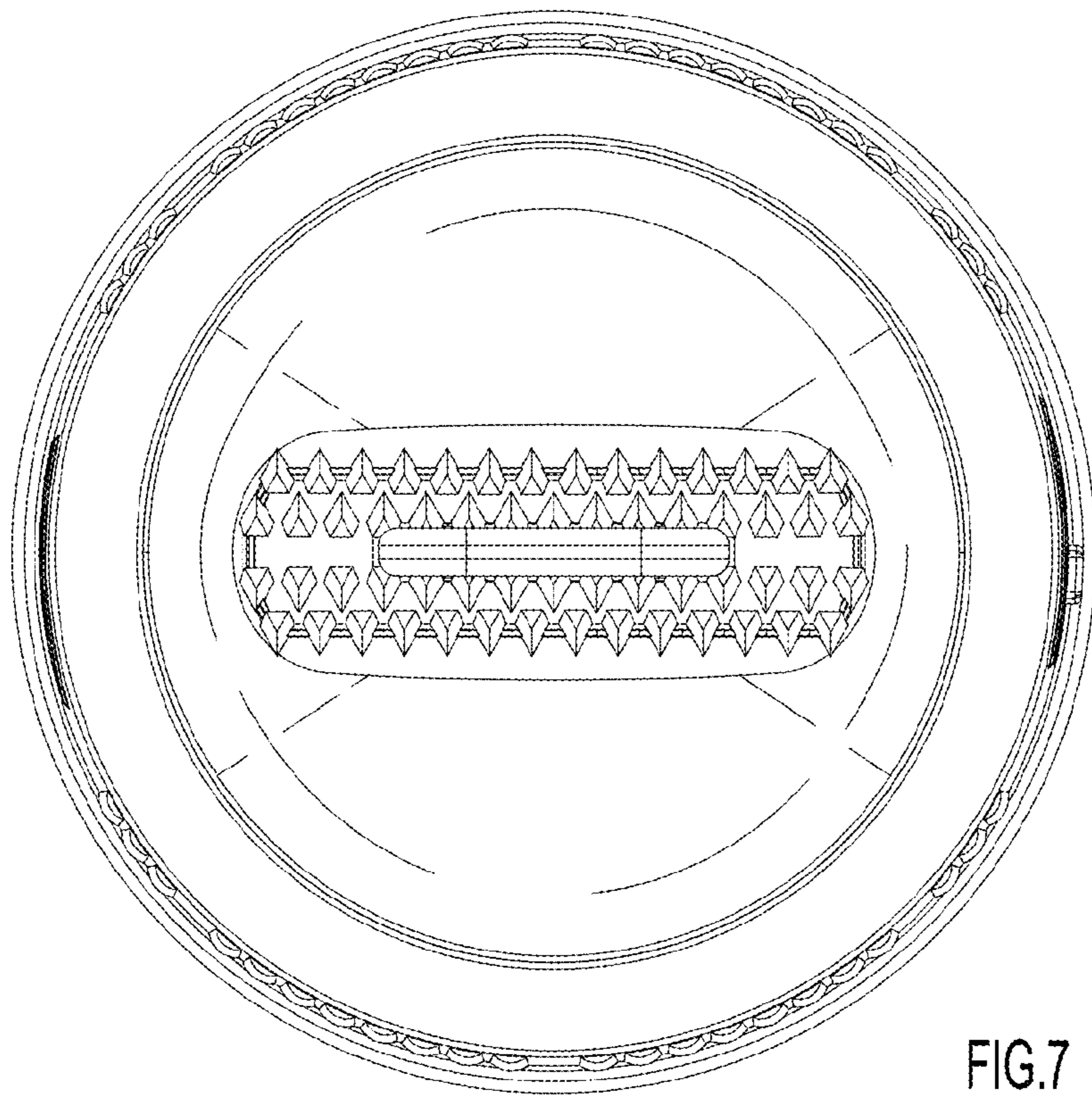


FIG.7

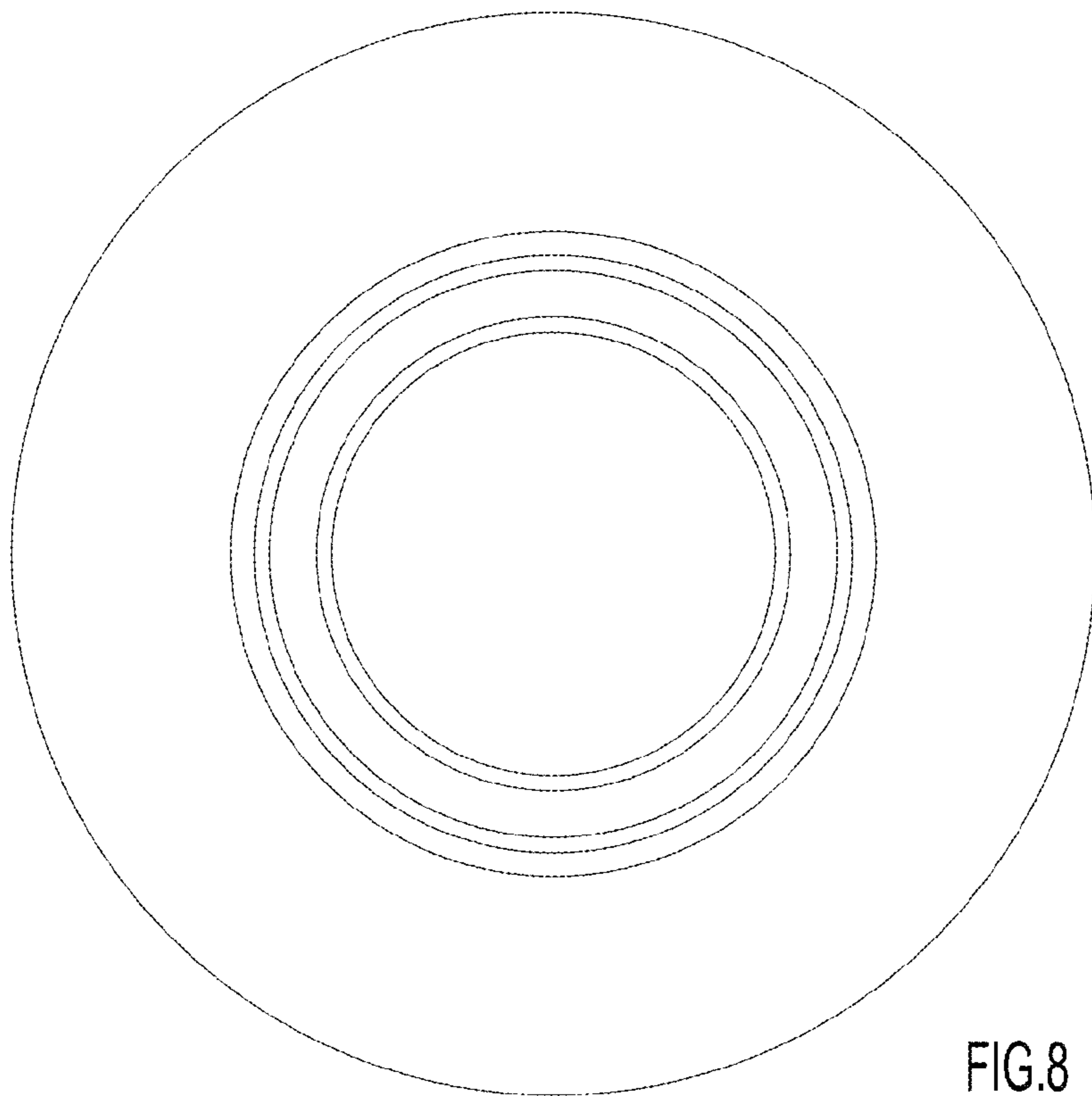


FIG.8