



US00D984044S

(12) **United States Design Patent**
Lei

(10) **Patent No.:** **US D984,044 S**
(45) **Date of Patent:** **** Apr. 18, 2023**

(54) **HAIR DRYER**

(71) Applicant: **SHENZHEN CAR KU TECHNOLOGY CO., LIMITED**,
Guangdong (CN)

(72) Inventor: **Yun Lei**, Guangdong (CN)

(73) Assignee: **SHENZHEN CAR KU TECHNOLOGY CO., LIMITED**,
Shenzhen (CN)

(**) Term: **15 Years**

(21) Appl. No.: **29/782,640**

(22) Filed: **May 7, 2021**

(51) **LOC (14) Cl.** **28-03**

(52) **U.S. Cl.**
USPC **D28/13**

(58) **Field of Classification Search**
USPC D28/12-19; D8/29.1; D13/107, 108;
D14/148, 149, 156
CPC A45D 20/00; A45D 20/04; A45D 20/08;
A45D 20/10; A45D 20/12; A45D
2020/128
See application file for complete search history.

(56) **References Cited**

U.S. PATENT DOCUMENTS

D299,874 S * 2/1989 Yamagami D28/16
D417,430 S * 12/1999 Ko D13/107

9,756,922 B1 * 9/2017 Duthe A45D 20/12
D859,738 S * 9/2019 Huang D28/13
D861,246 S * 9/2019 Hsu D28/13
D914,968 S * 3/2021 Huang D28/13
D927,778 S * 8/2021 Zou D28/13
D944,728 S * 3/2022 Bajpai D13/107
D951,963 S * 5/2022 Memke D14/453
11,388,972 B2 * 7/2022 Lei H02J 7/0044
11,457,775 B2 * 10/2022 Youn A47K 10/48
2002/0157276 A1 * 10/2002 Mujica A45D 20/10
34/97
2017/0000234 A1 * 1/2017 Annunziata A45D 20/12
2020/0085258 A1 * 3/2020 Yoo A45D 20/12

* cited by examiner

Primary Examiner — Zenia I Bennett

(74) *Attorney, Agent, or Firm* — Hauptman Ham, LLP

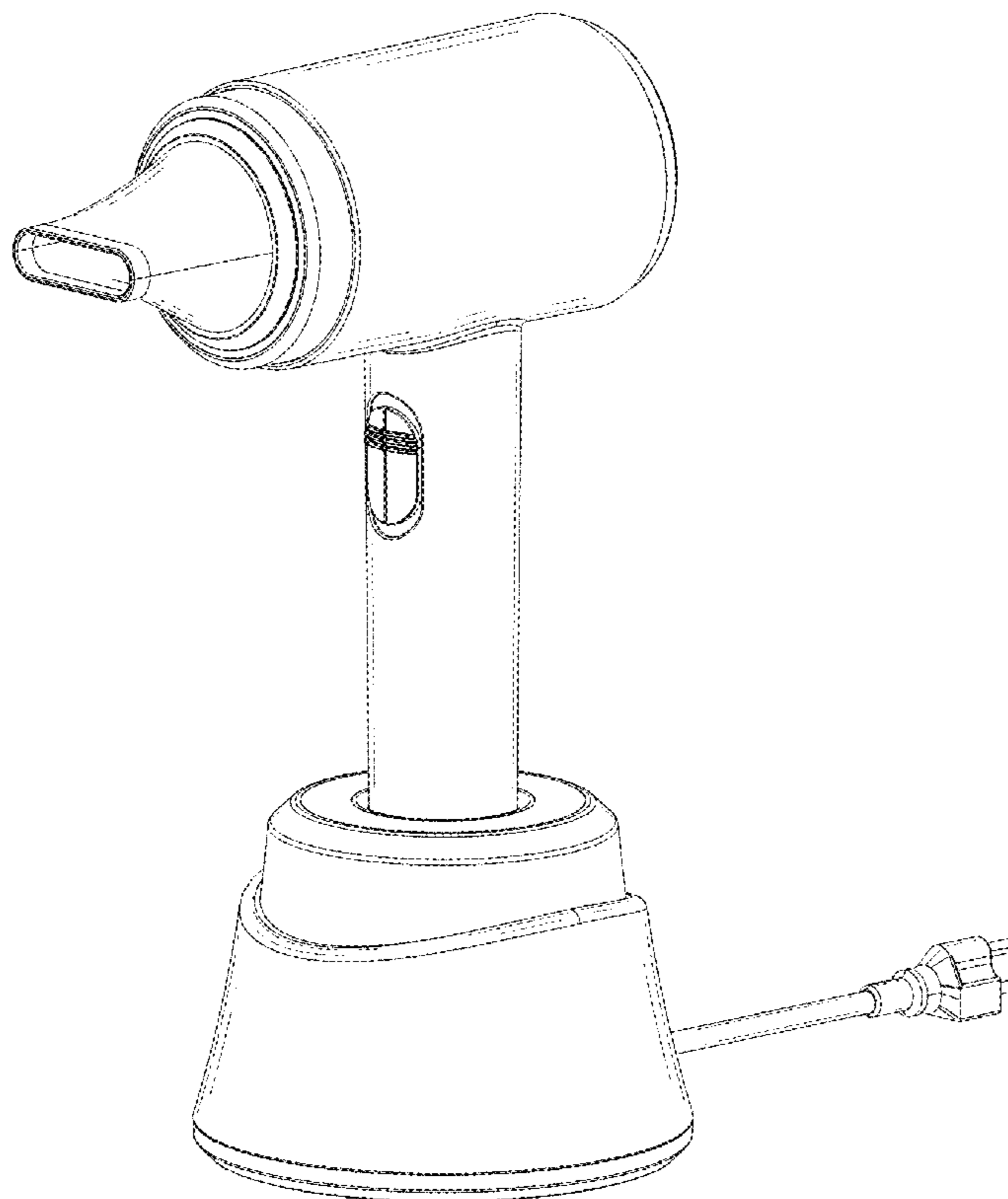
(57) **CLAIM**

The ornamental design for a hair dryer, as shown and described.

DESCRIPTION

FIG. 1 is a front view of a hair dryer showing our new design;
FIG. 2 is a rear view thereof;
FIG. 3 is a left side view thereof;
FIG. 4 is a right side view thereof;
FIG. 5 is a top view thereof;
FIG. 6 is a bottom view thereof;
FIG. 7 is a top, front perspective view thereof; and,
FIG. 8 is a top, rear perspective view thereof.

1 Claim, 8 Drawing Sheets



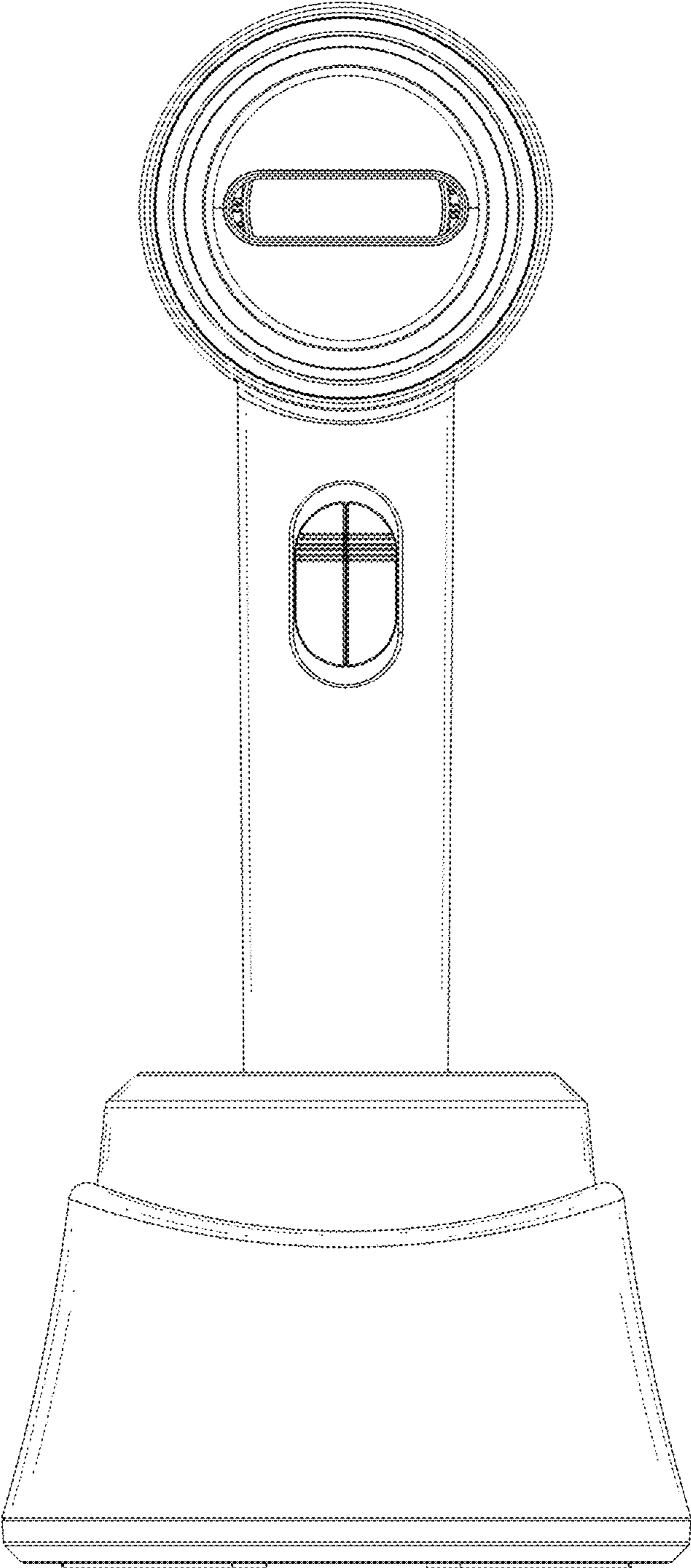


FIG.1

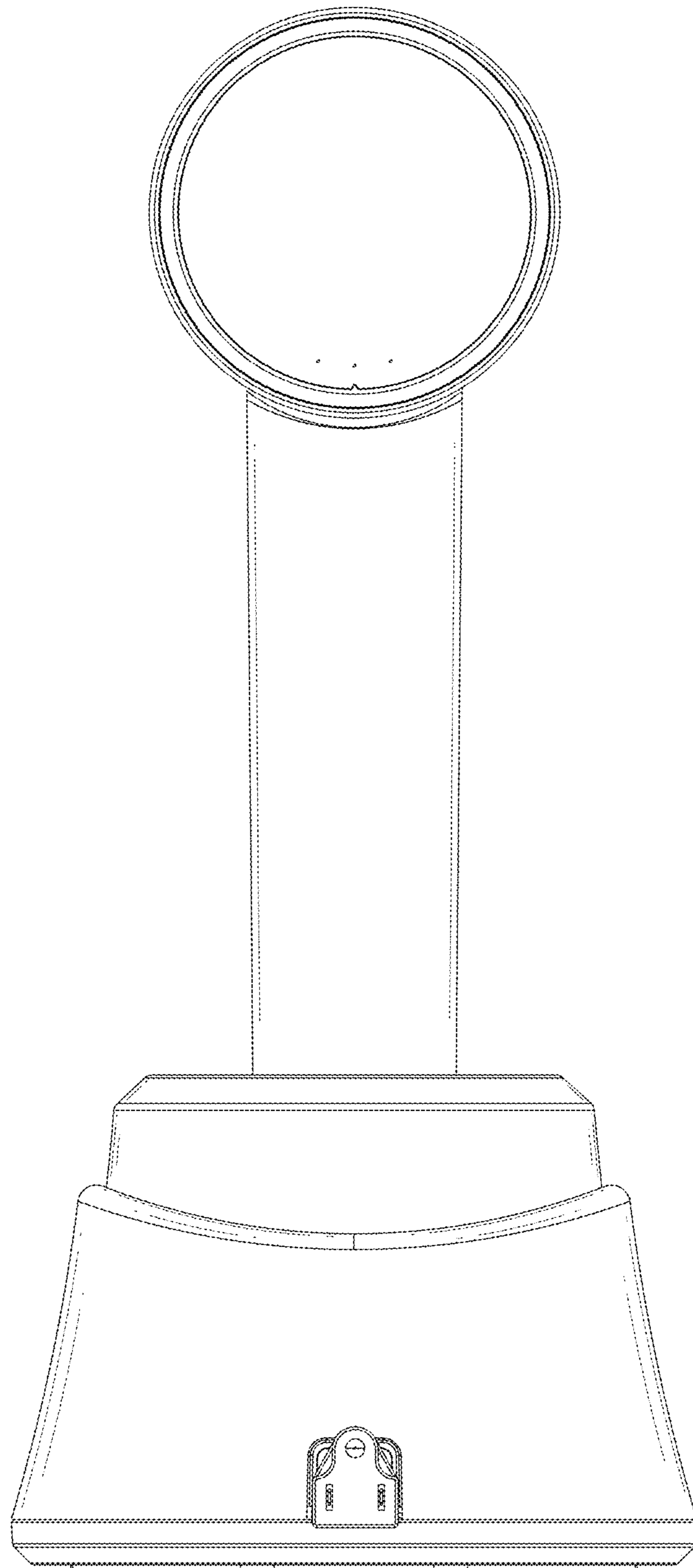


FIG.2

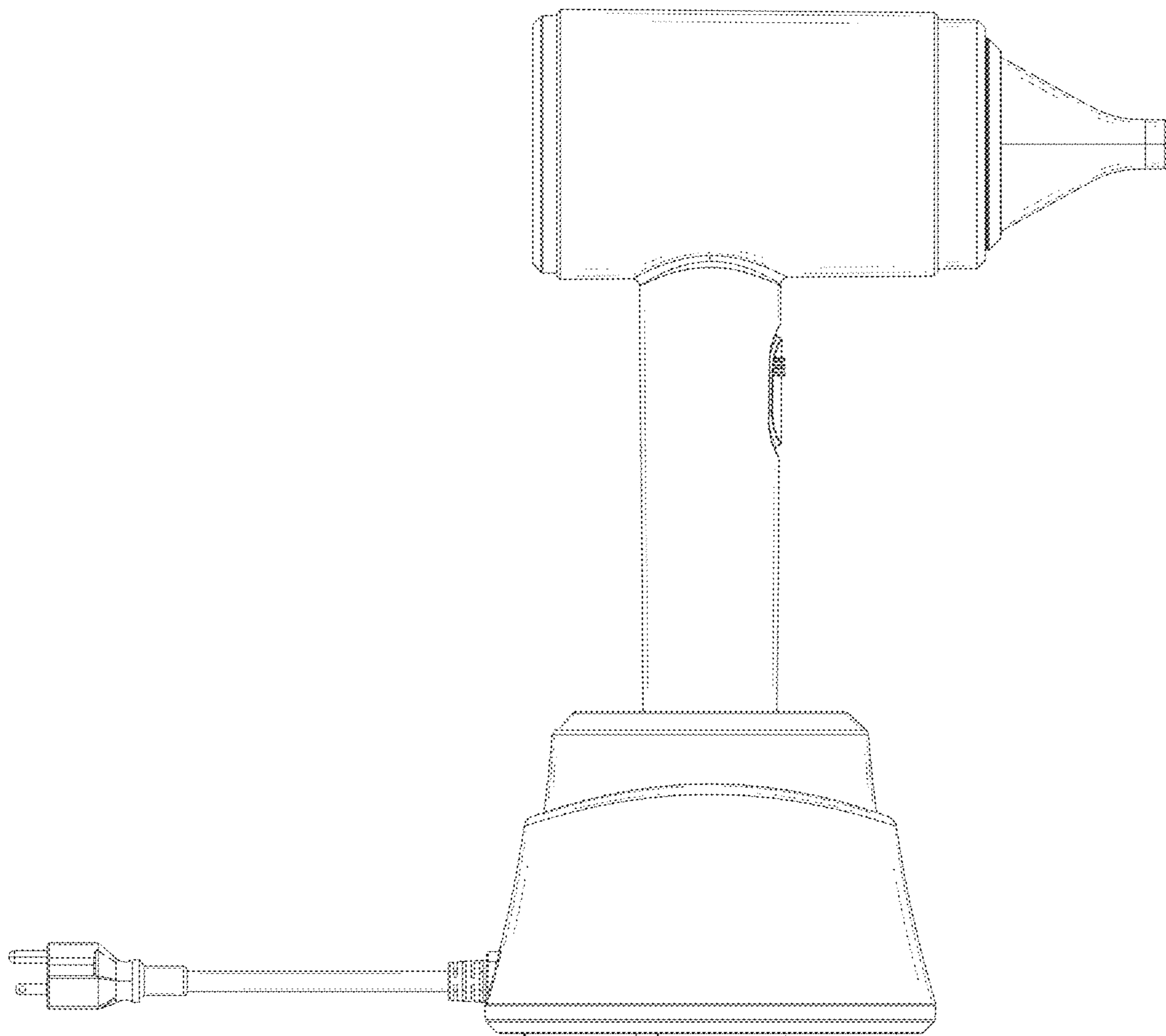


FIG.3

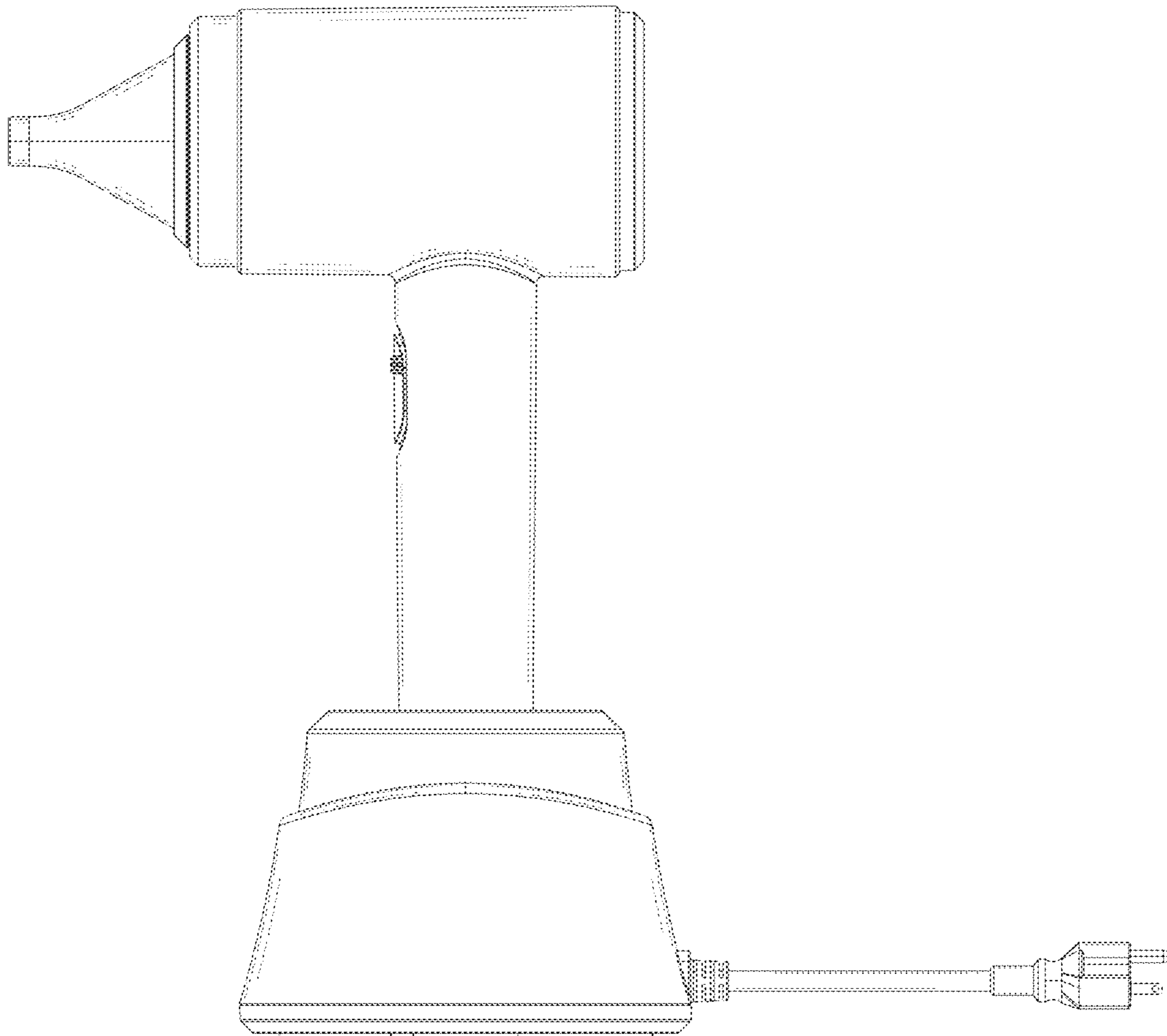


FIG.4

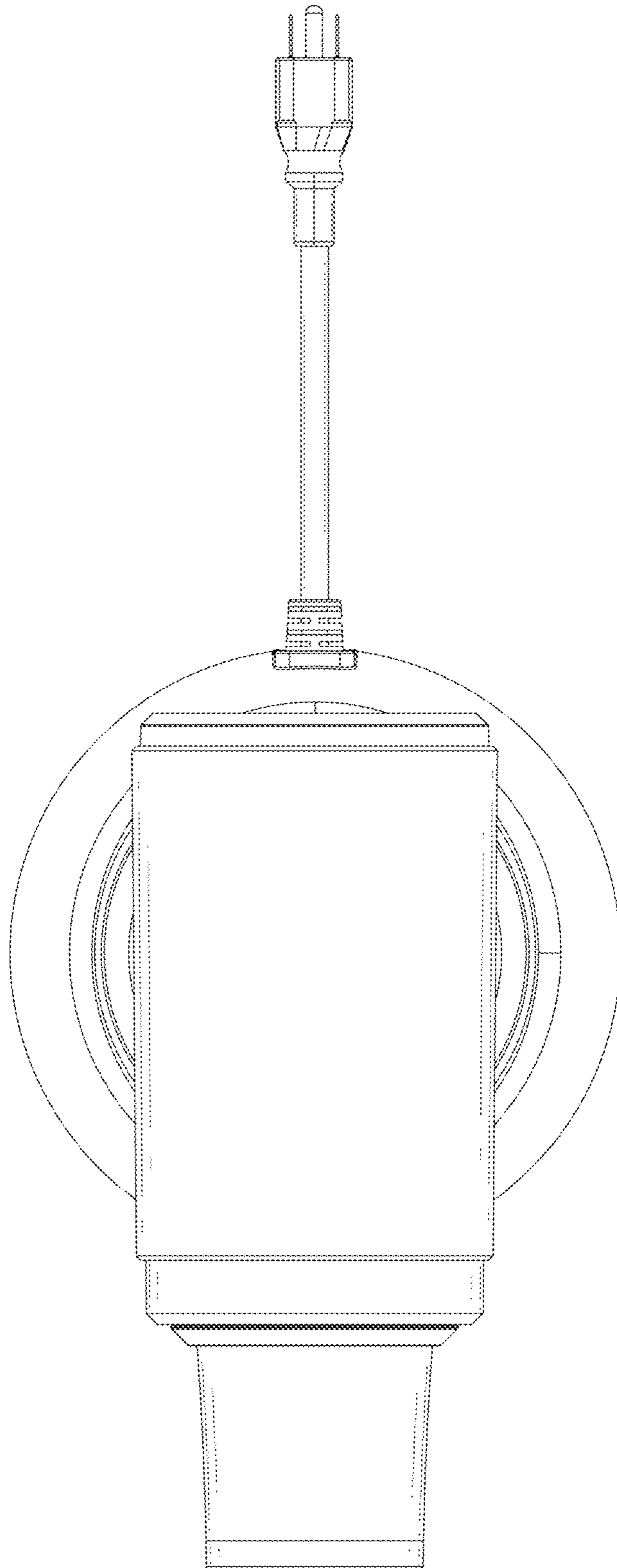


FIG.5

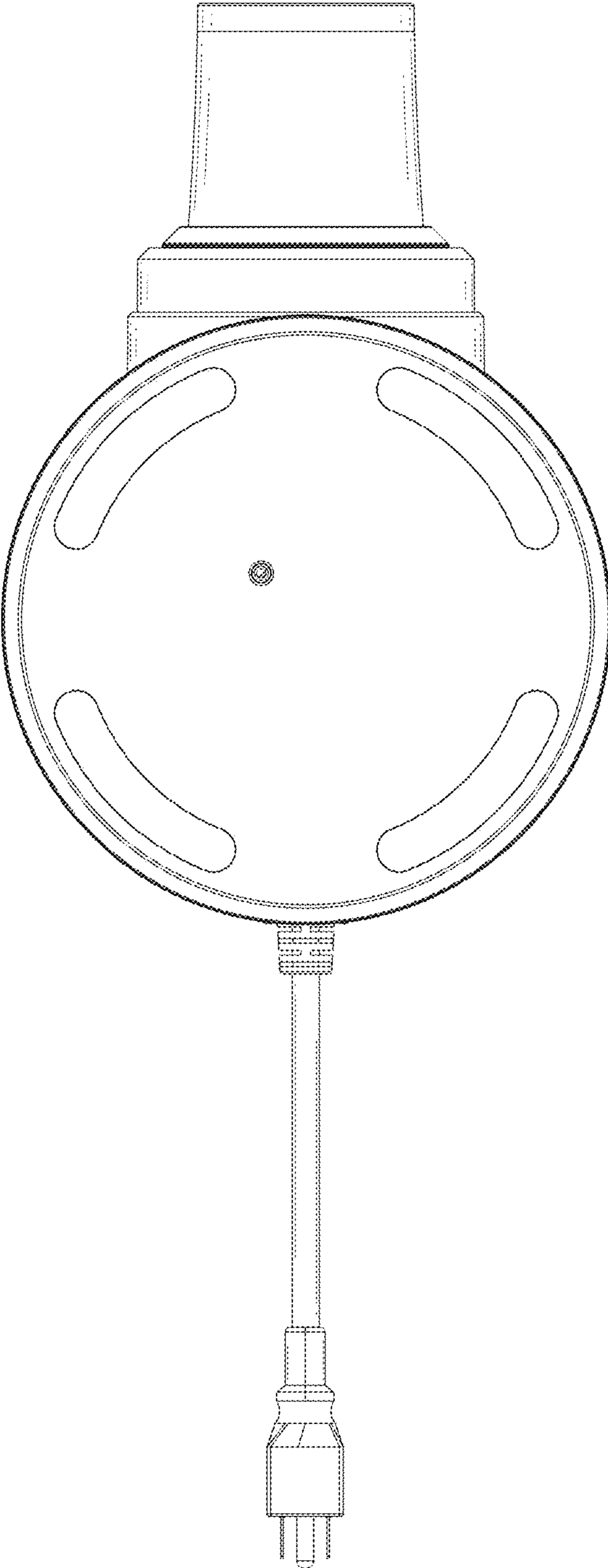


FIG.6

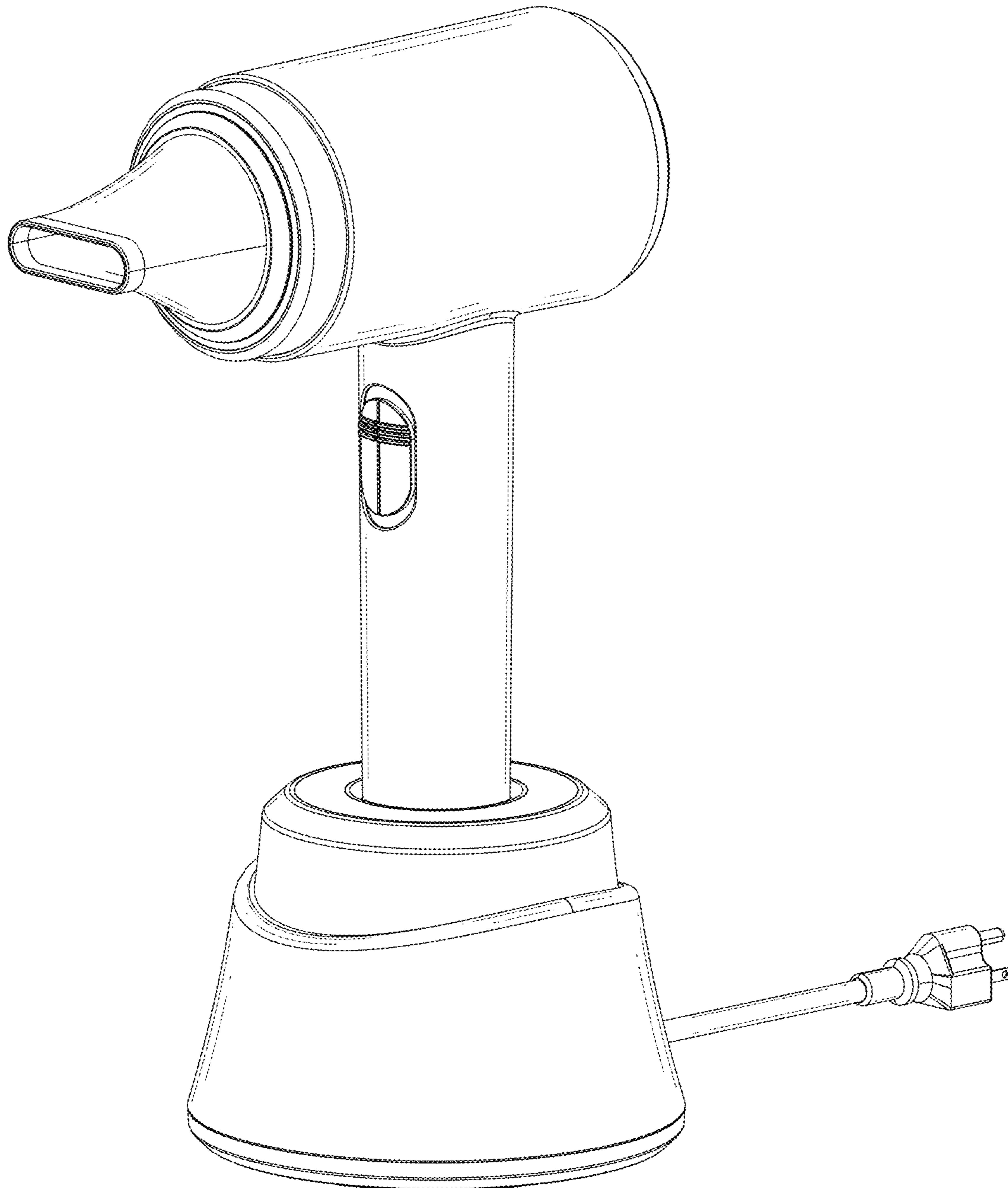


FIG.7

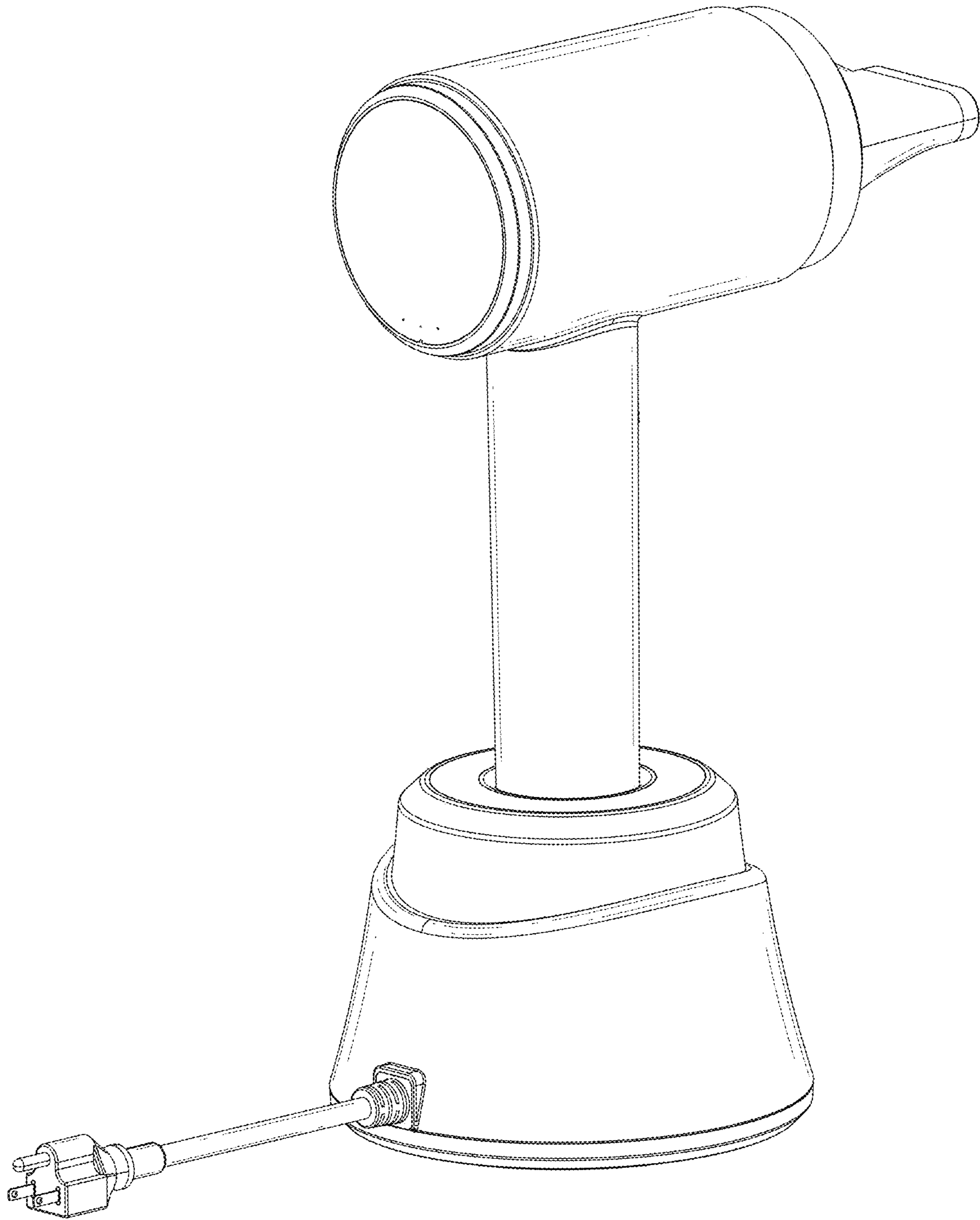


FIG.8