



US00D984042S

(12) **United States Design Patent**  
**Bianco**

(10) **Patent No.:** **US D984,042 S**

(45) **Date of Patent:** **\*\* Apr. 18, 2023**

(54) **COSMETIC APPLICATOR**

(71) Applicant: **Dorien Bianco**, Zetjun (MT)

(72) Inventor: **Dorien Bianco**, Zetjun (MT)

(\*\*) Term: **15 Years**

(21) Appl. No.: **29/817,220**

(22) Filed: **Nov. 30, 2021**

(51) **LOC (14) Cl.** ..... **28-03**

(52) **U.S. Cl.**  
USPC ..... **D28/7**

(58) **Field of Classification Search**  
USPC ..... D28/4, 7, 9, 20, 76, 85; D19/36  
CPC . A45D 40/20; A45D 40/24; A45D 2200/1072  
See application file for complete search history.

(56) **References Cited**

**U.S. PATENT DOCUMENTS**

- D641,930 S \* 7/2011 Poletto ..... D28/7
- D641,931 S \* 7/2011 Poletto ..... D28/7
- D641,932 S \* 7/2011 Poletto ..... D28/7

- D685,948 S \* 7/2013 Pires ..... D28/7
- D806,314 S \* 12/2017 Hamida ..... D28/7
- D868,371 S \* 11/2019 Huchet ..... B65D 47/42  
D28/7
- D948,115 S \* 4/2022 Bianco ..... D28/7

\* cited by examiner

*Primary Examiner* — Zenia I Bennett

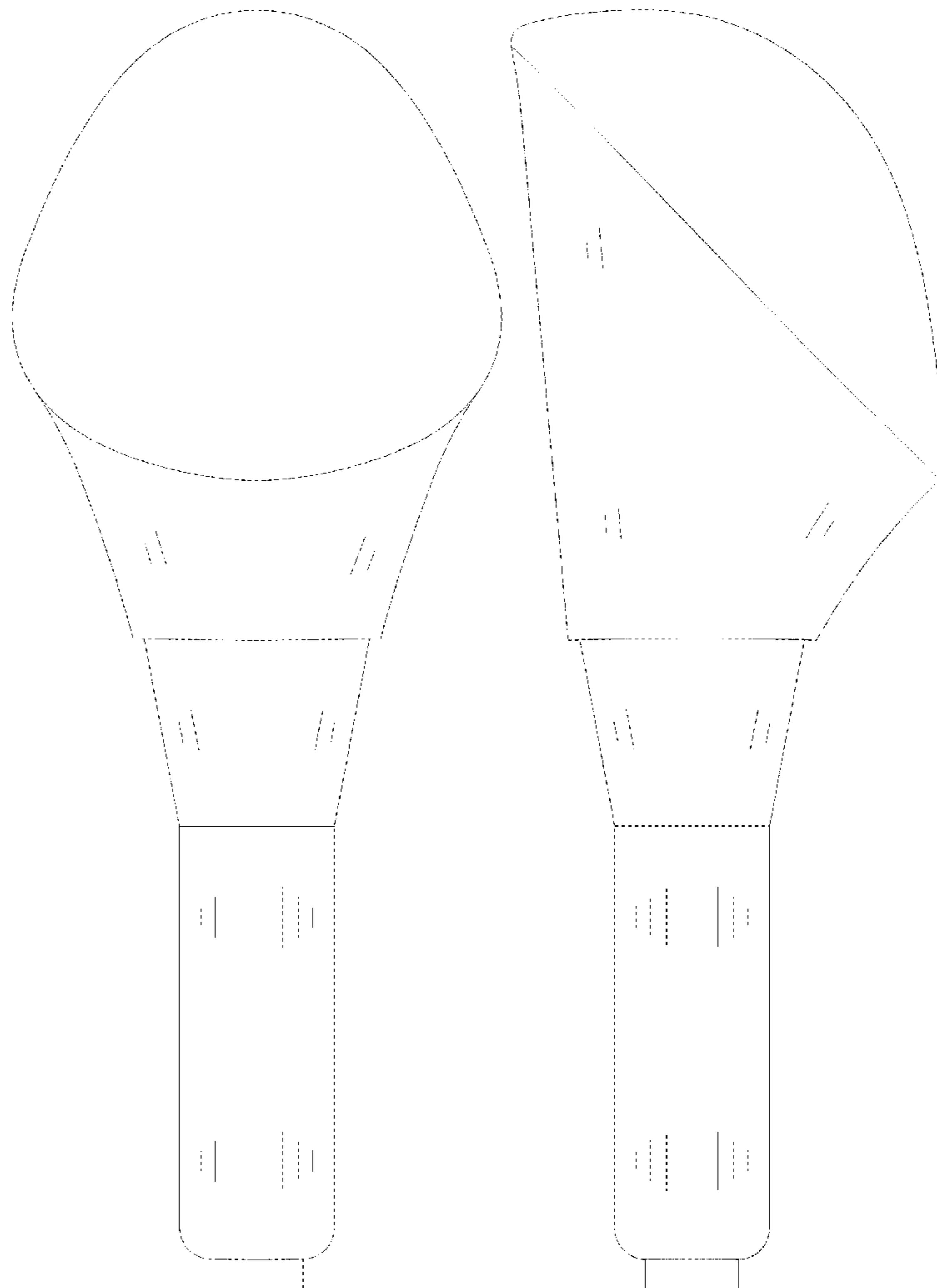
(57) **CLAIM**

I, claim the ornamental design for a cosmetic applicator, as shown and described.

**DESCRIPTION**

FIG. 1 is a front elevation view of a cosmetic applicator showing my new design.  
 FIG. 2 is a left hand side elevation view of FIG. 1.  
 FIG. 3 is a right hand side elevation view of FIG. 1.  
 FIG. 4 is a rear elevation view FIG. 1.  
 FIG. 5 is a top elevation view of FIG. 1.  
 FIG. 6 is a bottom elevation view of FIG. 1; and,  
 FIG. 7 is a bottom perspective view of FIG. 1.

**1 Claim, 3 Drawing Sheets**



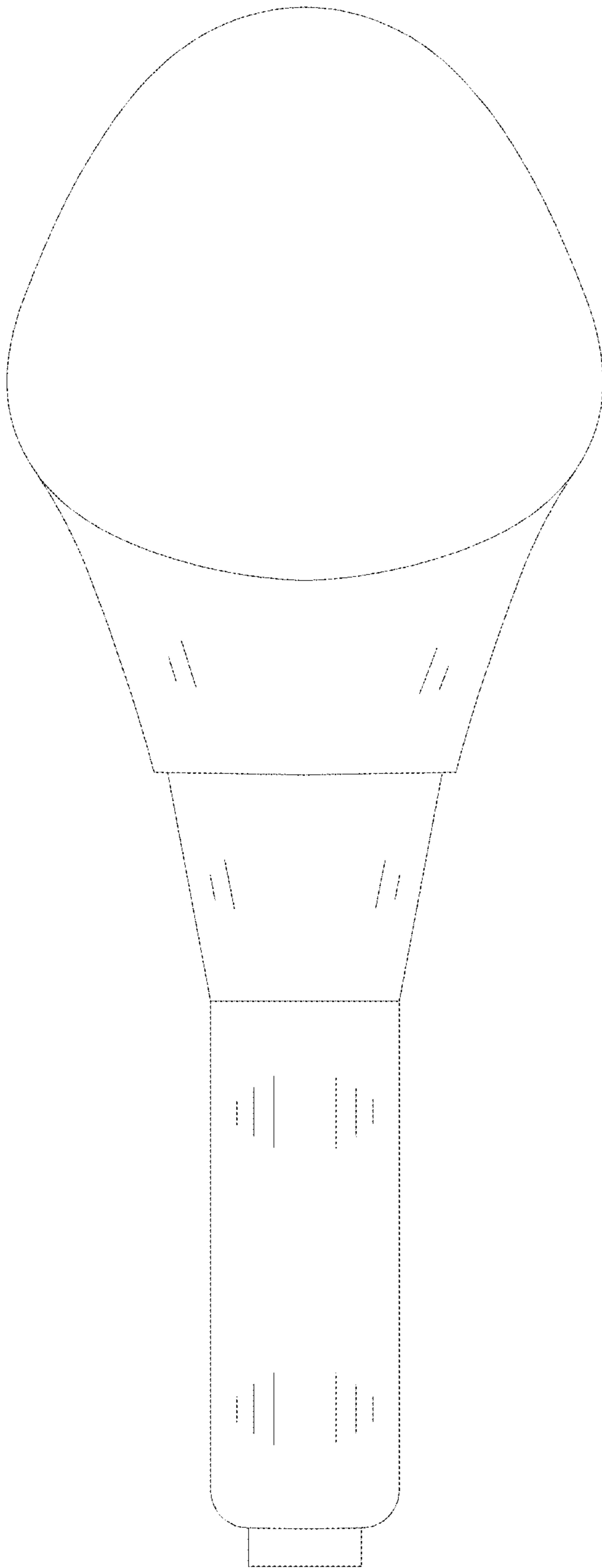


FIG.1

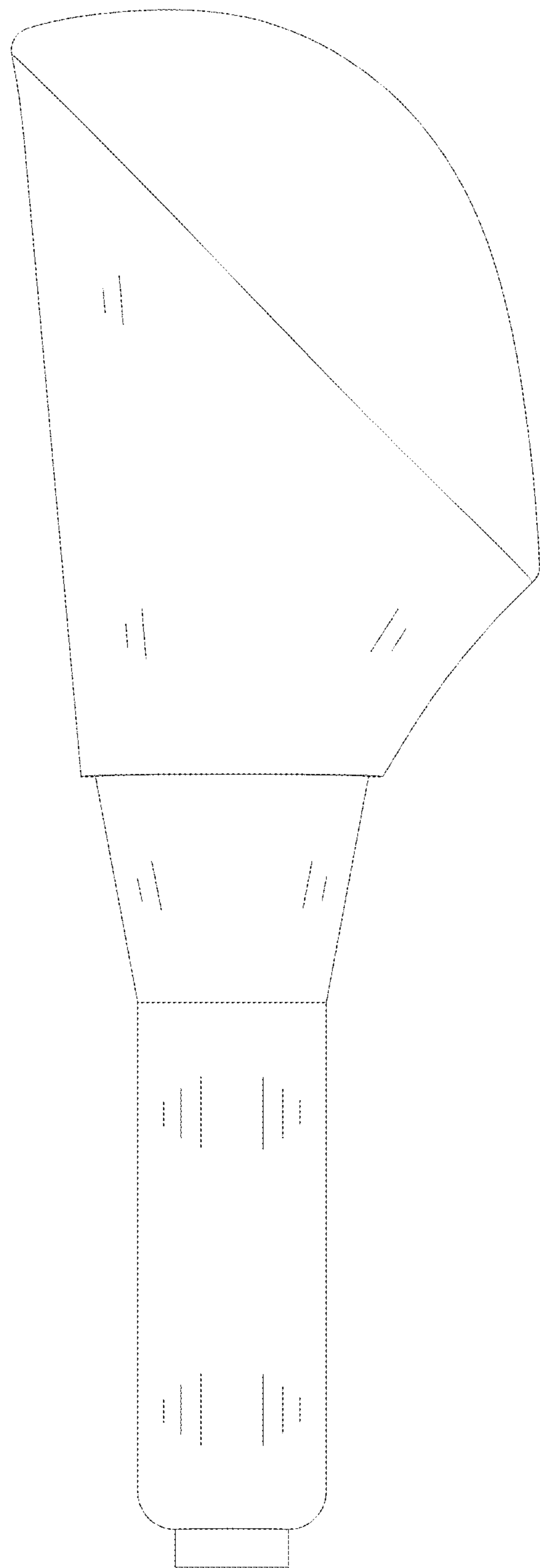


FIG.2

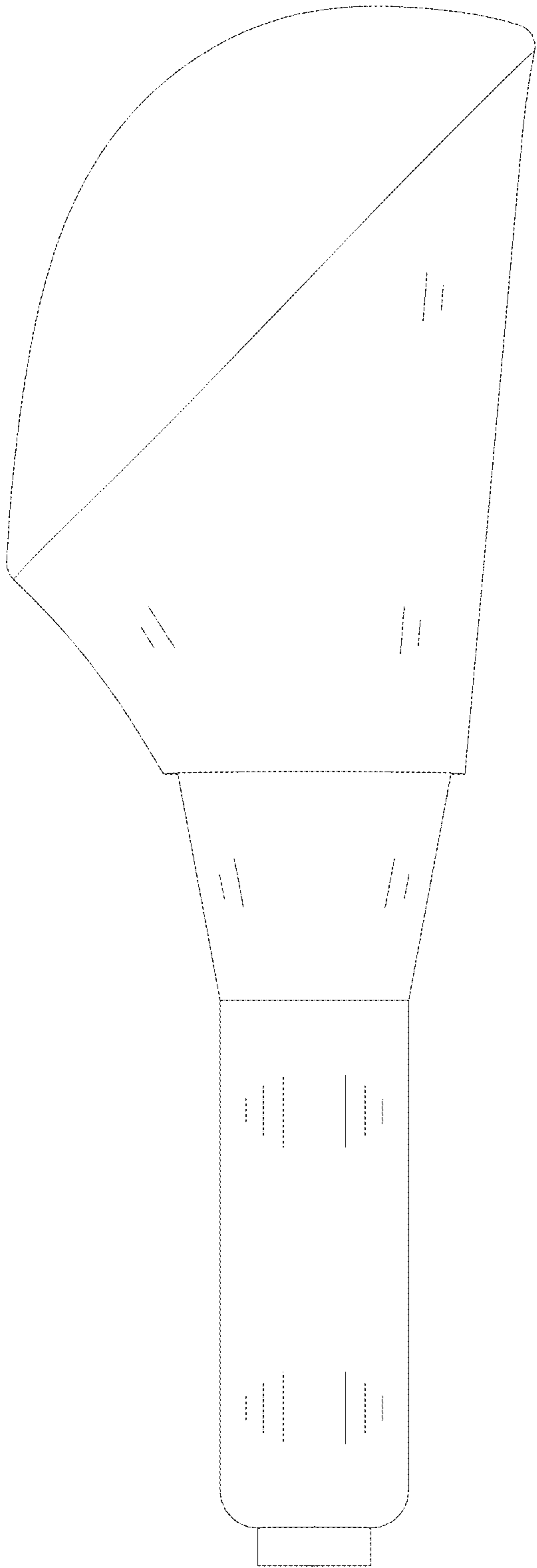


FIG.3

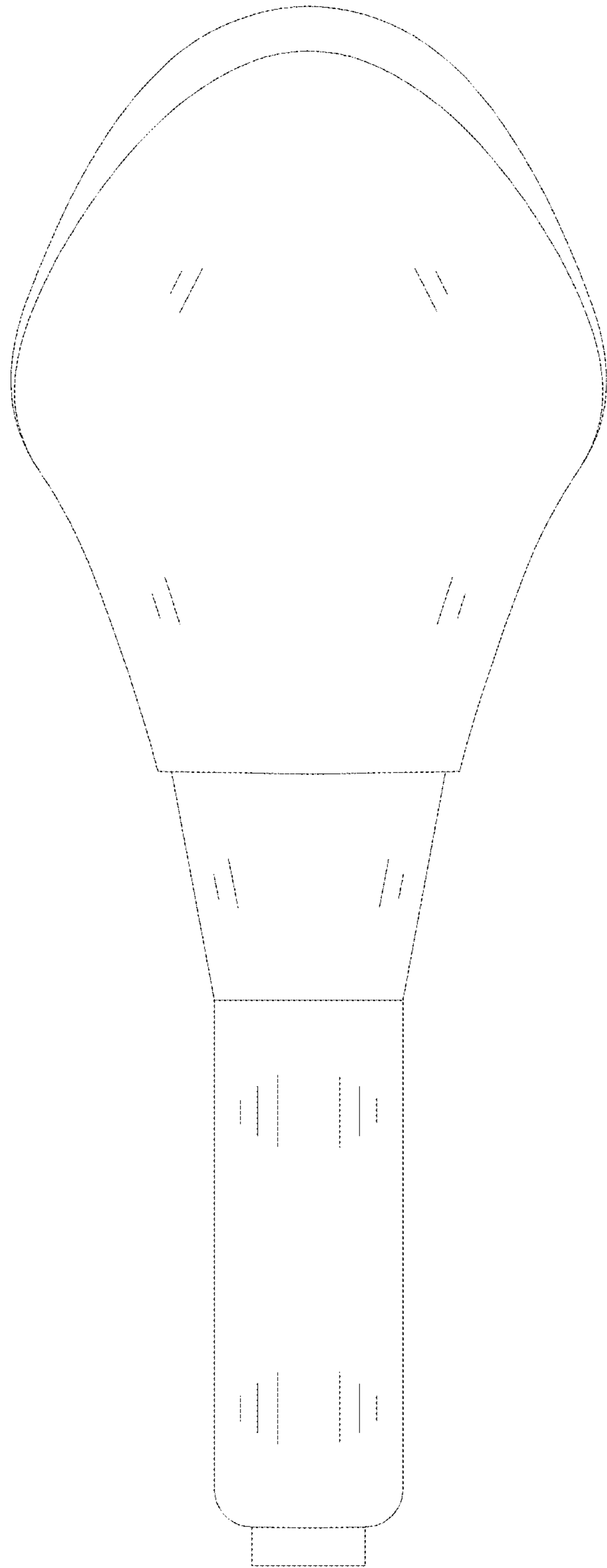


FIG.4

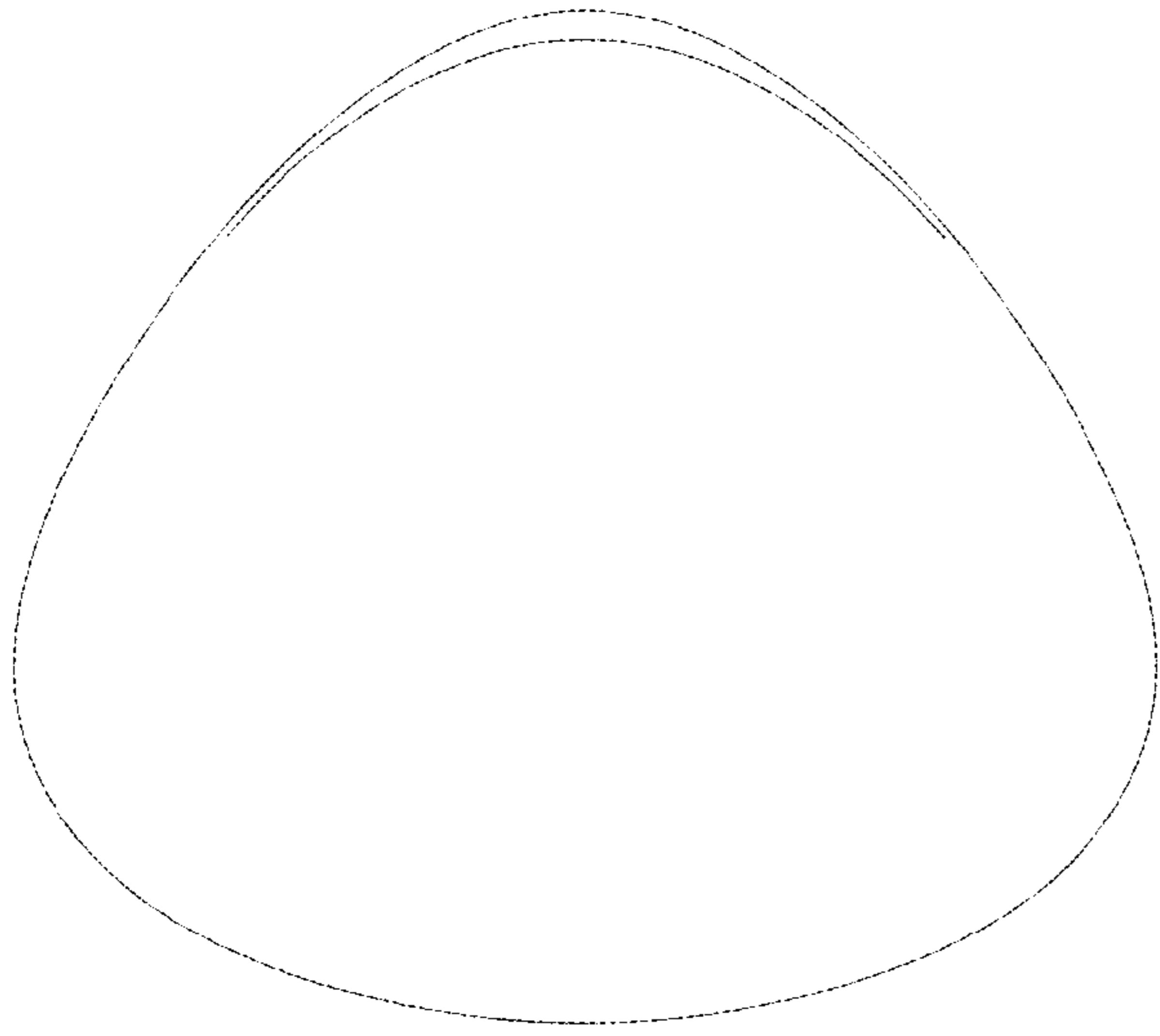


FIG.5

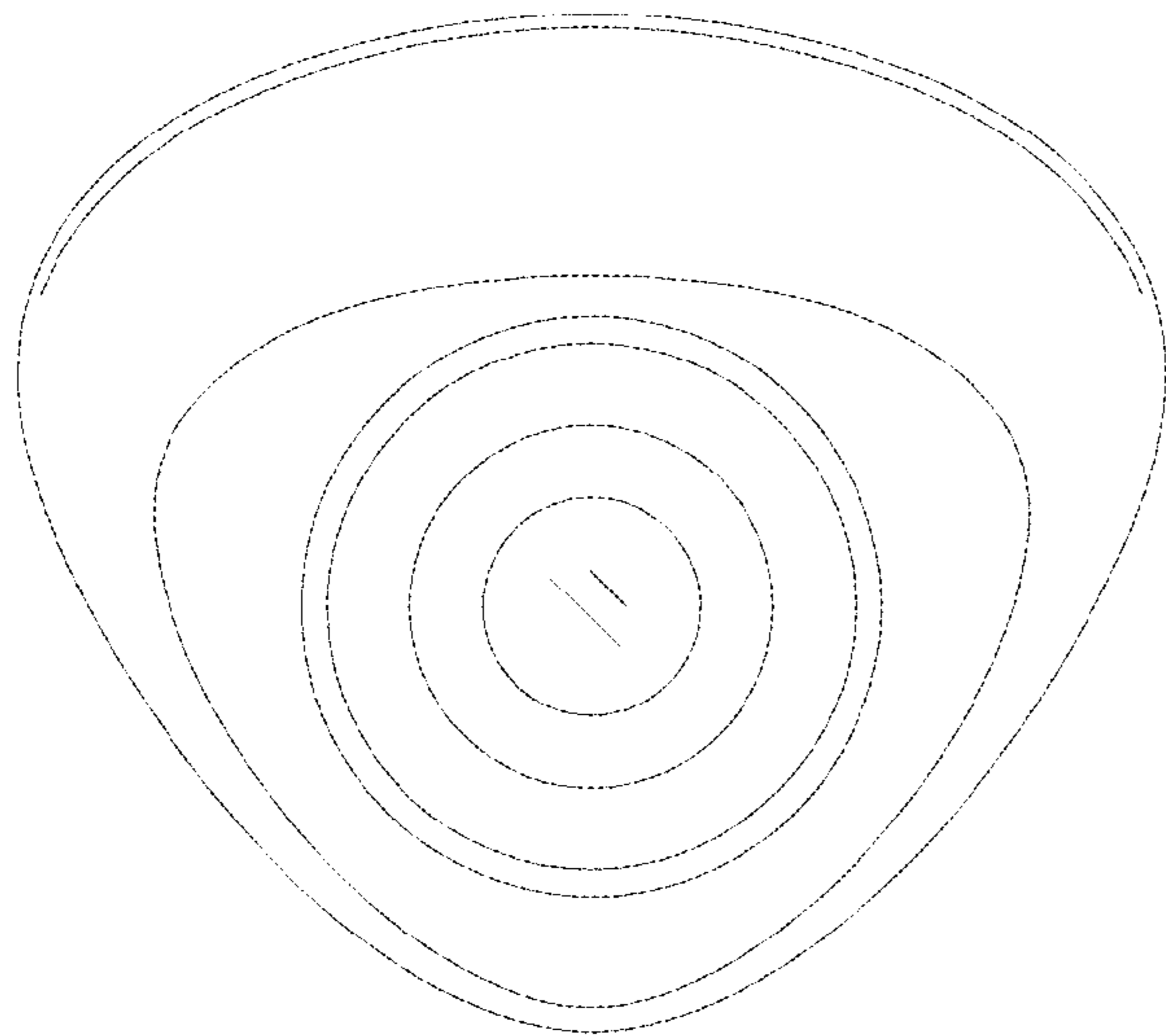


FIG.6

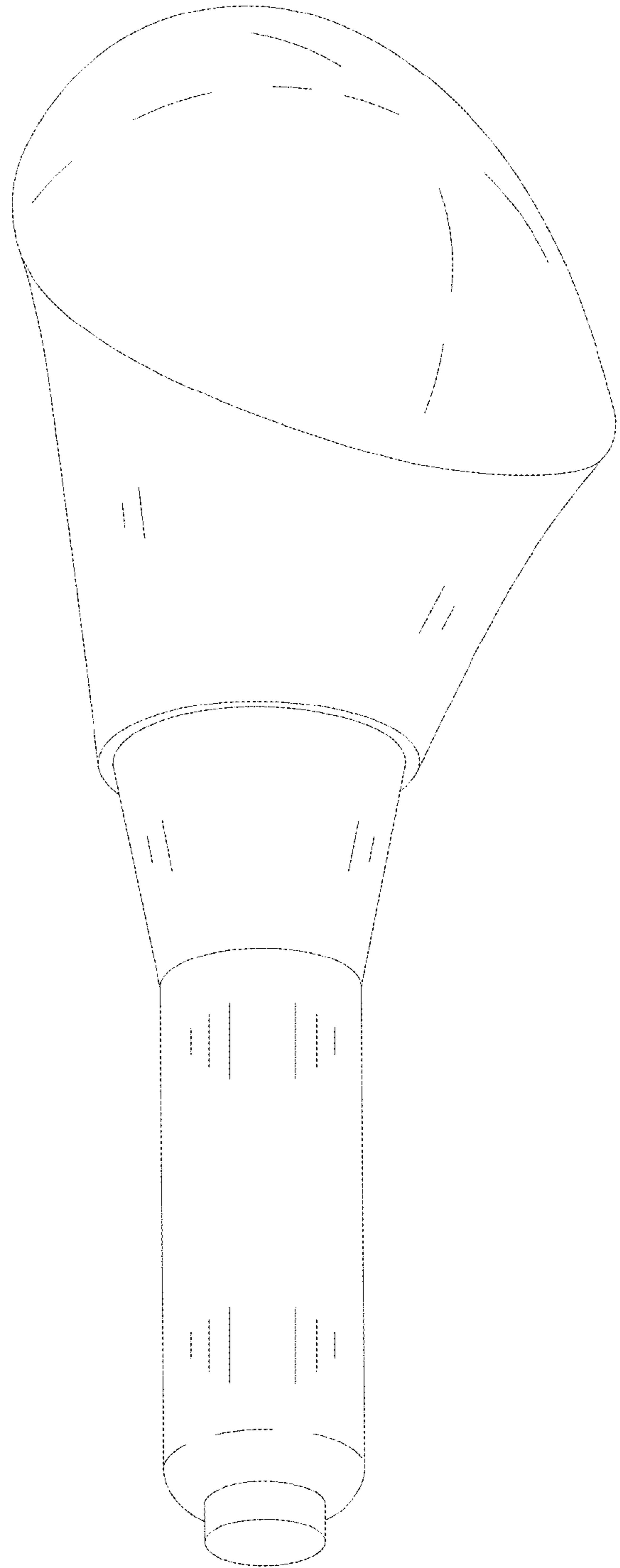


FIG.7