



US00D984041S

(12) **United States Design Patent**
Morgan

(10) **Patent No.:** **US D984,041 S**

(45) **Date of Patent:** **** Apr. 18, 2023**

(54) **APPLICATOR WITH EXTENDABLE ARM**

(71) Applicant: **LeAnne Morgan**, Anchorage, AK (US)

(72) Inventor: **LeAnne Morgan**, Anchorage, AK (US)

(**) Term: **15 Years**

(21) Appl. No.: **29/816,378**

(22) Filed: **Nov. 22, 2021**

(51) **LOC (14) Cl.** **28-03**

(52) **U.S. Cl.**
USPC **D28/7**

(58) **Field of Classification Search**
USPC D28/4, 7, 9, 20, 76, 85
CPC A45D 2200/10; A45D 2200/1009
See application file for complete search history.

(56) **References Cited**

U.S. PATENT DOCUMENTS

5,240,339	A	8/1993	DeForest et al.	
D364,481	S *	11/1995	Lambert	D28/7
D370,085	S *	5/1996	MacGilvary	D28/7
D388,535	S *	12/1997	Per-Lee	D28/7
5,992,428	A	11/1999	Goolamali et al.	
D424,238	S *	5/2000	Davis	D28/7
6,261,014	B1	7/2001	Altobellis et al.	
D447,279	S *	8/2001	Altobellis	D28/7

D449,407	S *	10/2001	Altobellis	D28/7
6,325,564	B1	12/2001	Knowles	
6,543,954	B2	4/2003	Owings	
6,616,364	B2	9/2003	Katz et al.	
7,309,180	B2	12/2007	Russell et al.	
D572,407	S *	7/2008	Cook	D28/7
D617,944	S *	6/2010	Gonzalez	D28/7
D679,806	S *	4/2013	Davitt	D28/7
8,646,142	B2	12/2014	Ferrara et al.	

* cited by examiner

Primary Examiner — Zenia I Bennett

(74) *Attorney, Agent, or Firm* — Cramer Patent & Design, PLLC; Aaron R. Cramer

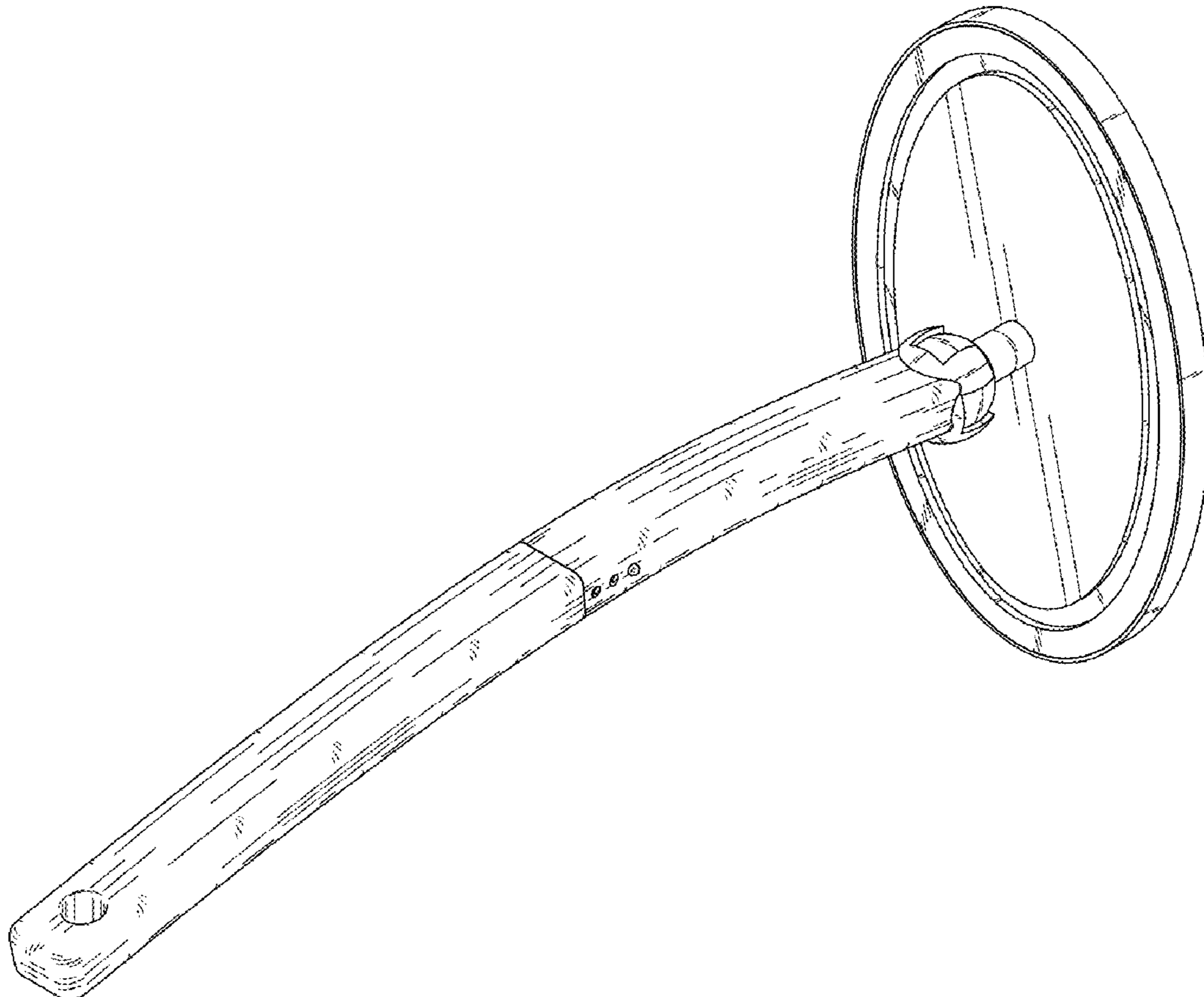
(57) **CLAIM**

The ornamental design for an applicator with an extendable arm, as shown and described.

DESCRIPTION

FIG. 1 is a perspective top front right view of the applicator with an extendable arm, showing my new design; FIG. 2 is a perspective top rear left view thereof; FIG. 3 is a front elevation view thereof; FIG. 4 is a rear elevation view thereof; FIG. 5 is a left elevation view thereof; FIG. 6 is a right elevation view thereof; FIG. 7 is a top plan view thereof; and, FIG. 8 is a bottom plan view thereof.

1 Claim, 6 Drawing Sheets



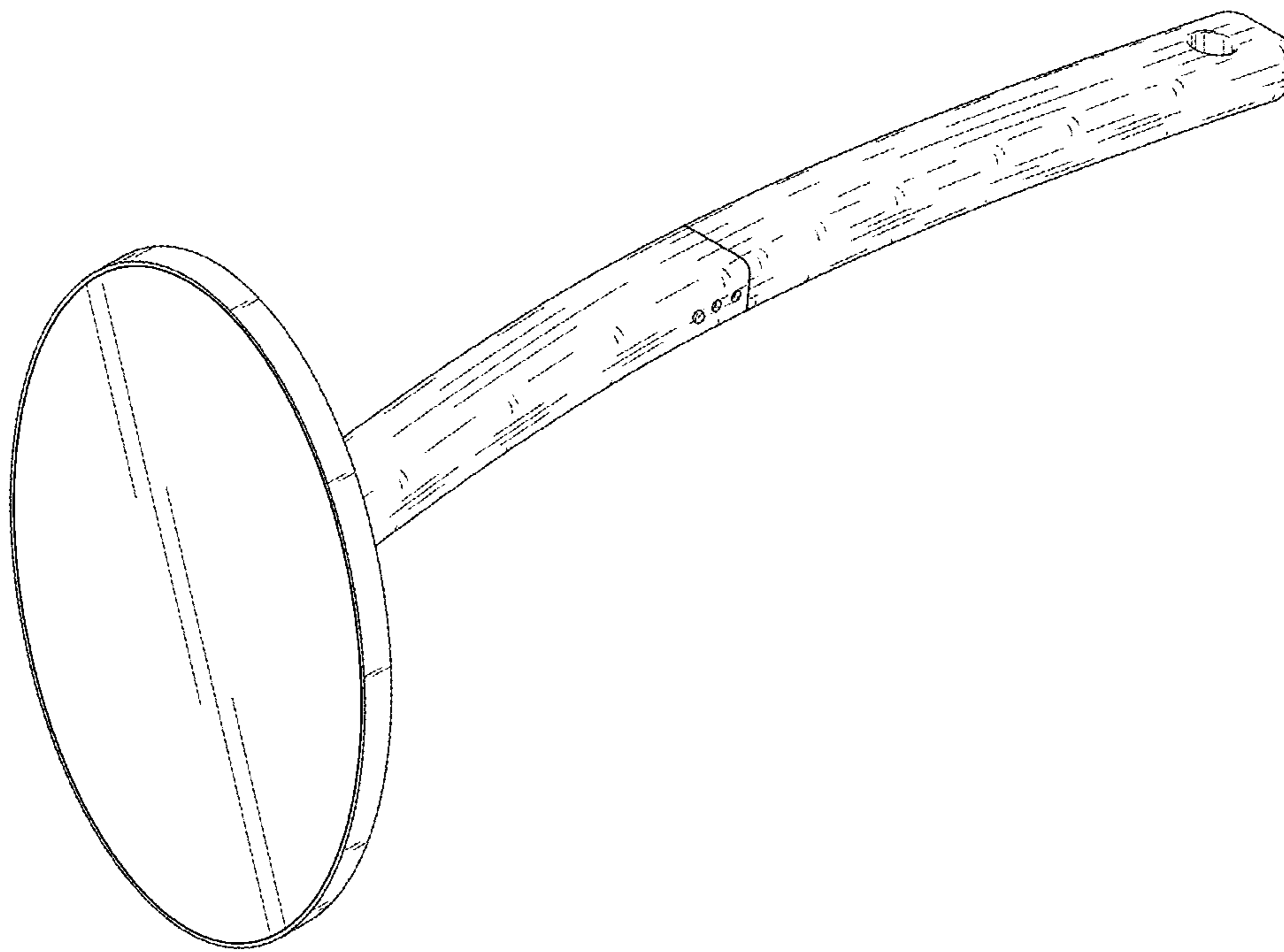


FIG. 1

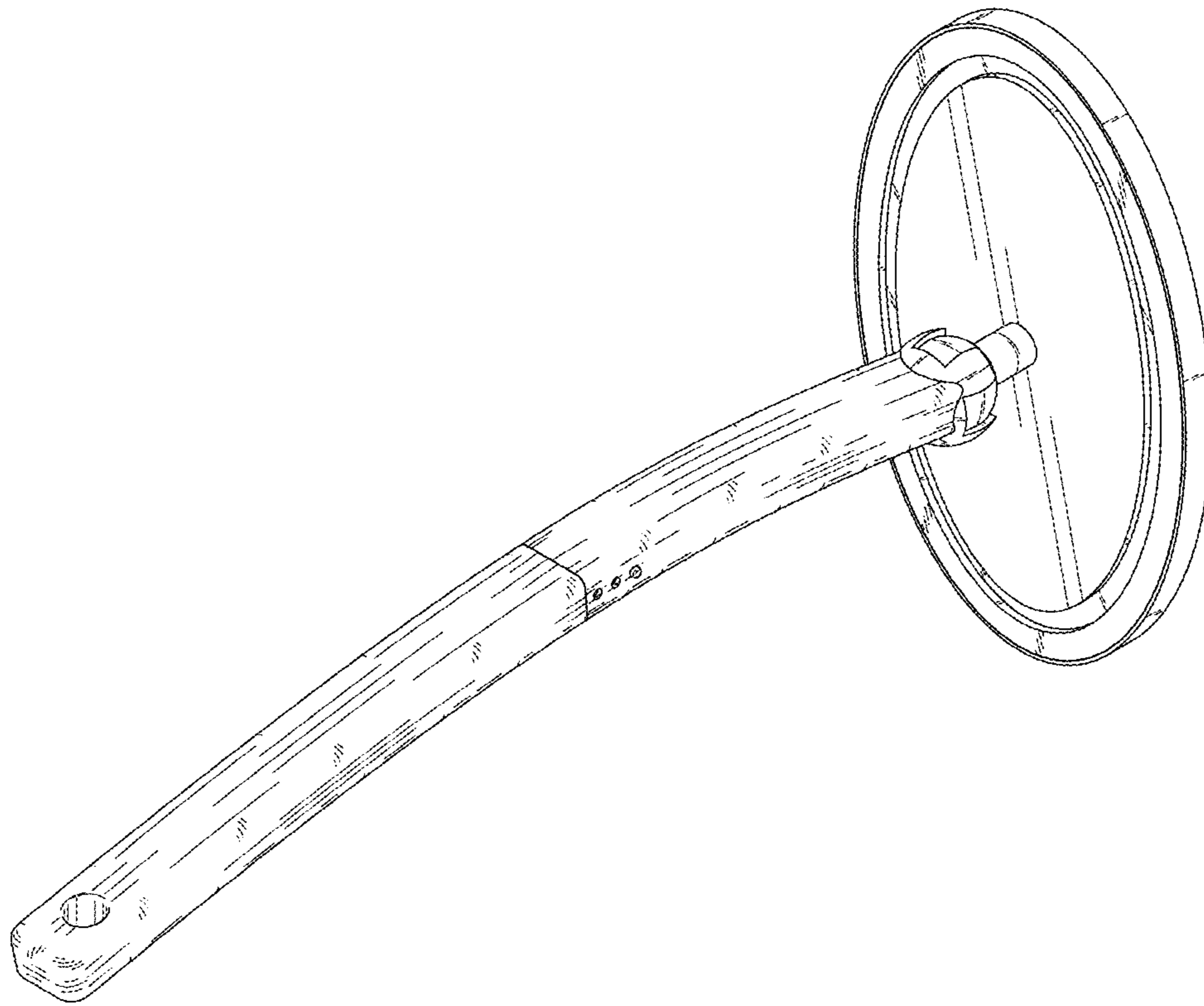


FIG. 2

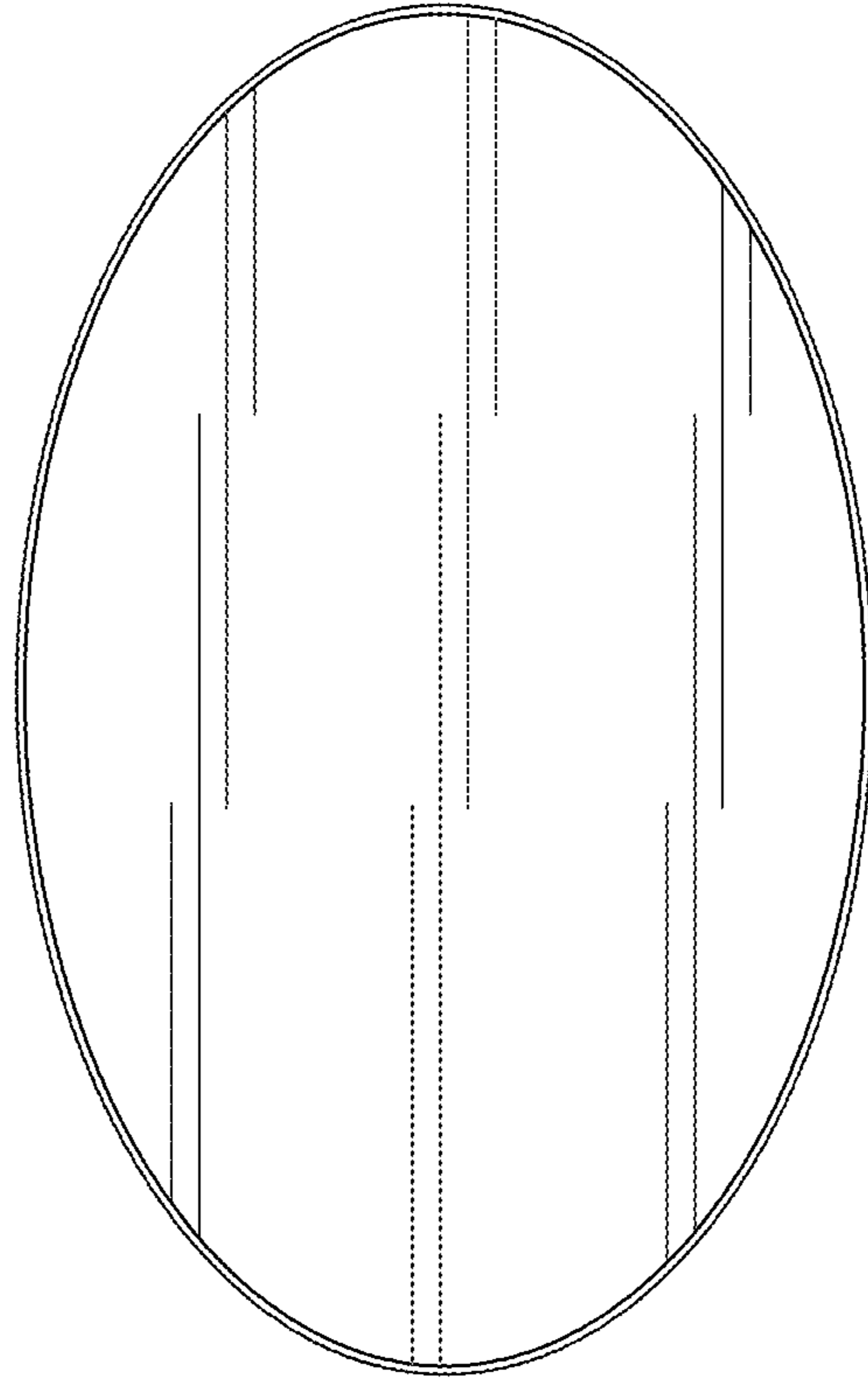


FIG. 3

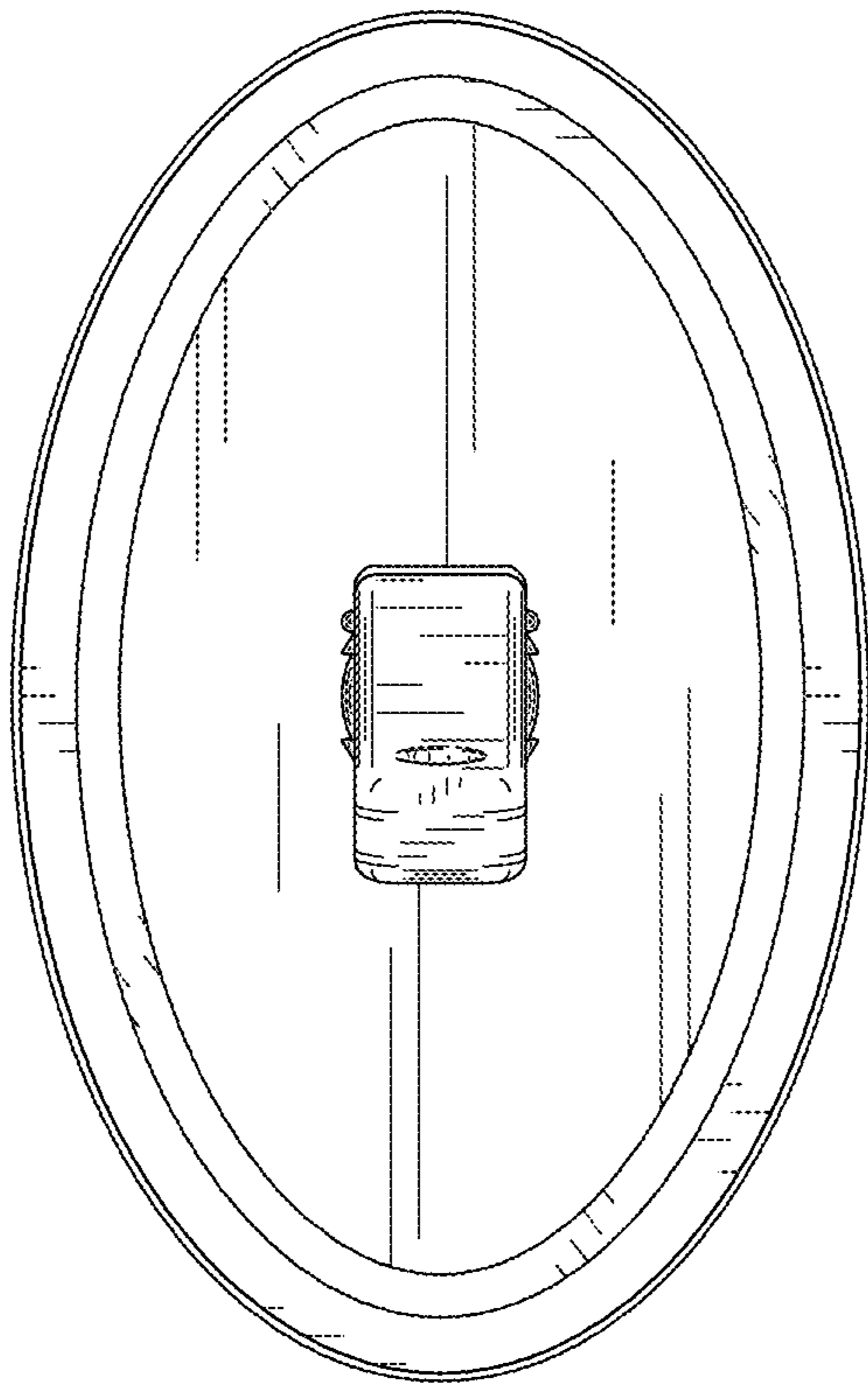


FIG. 4

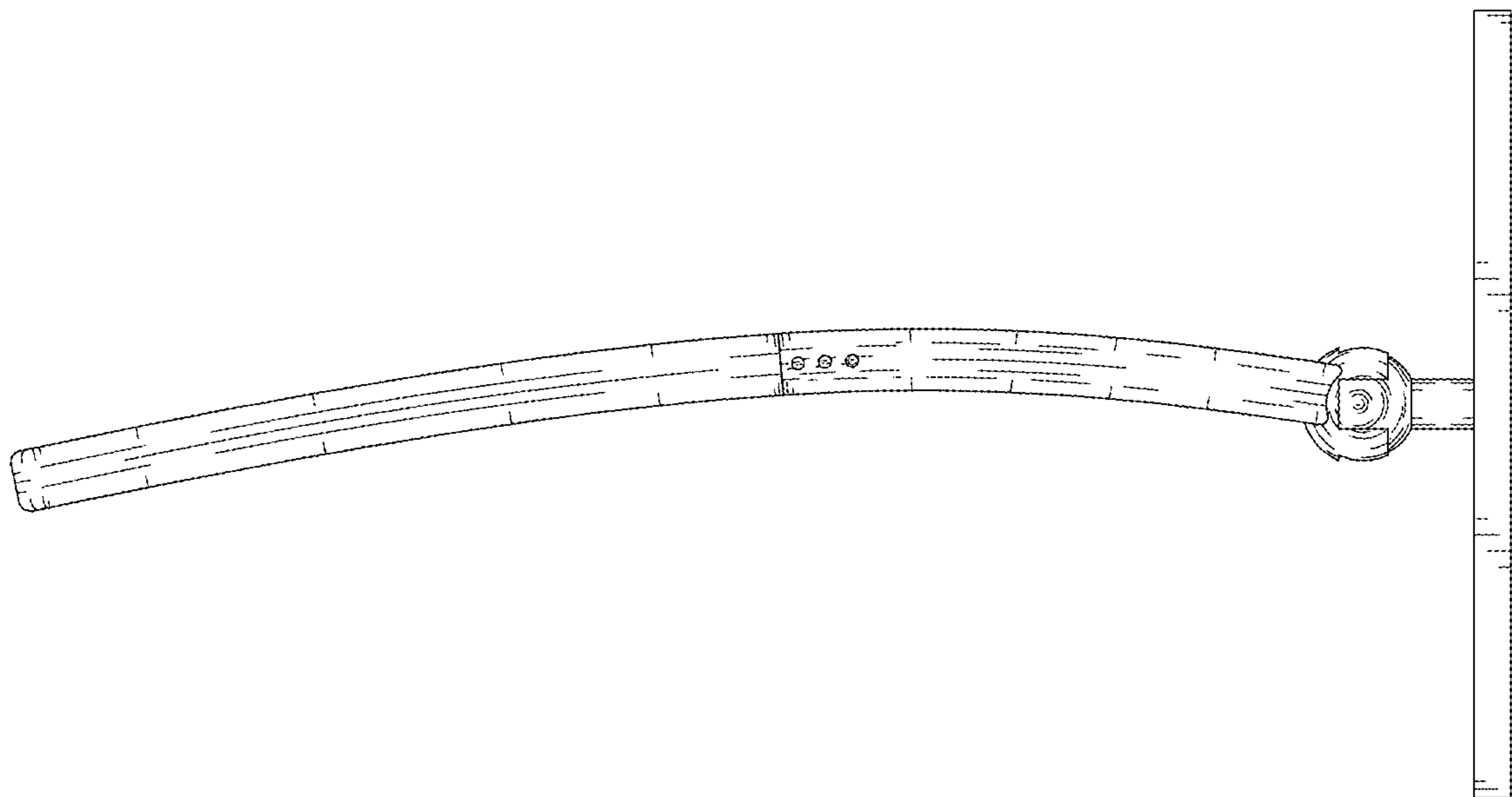


FIG. 5

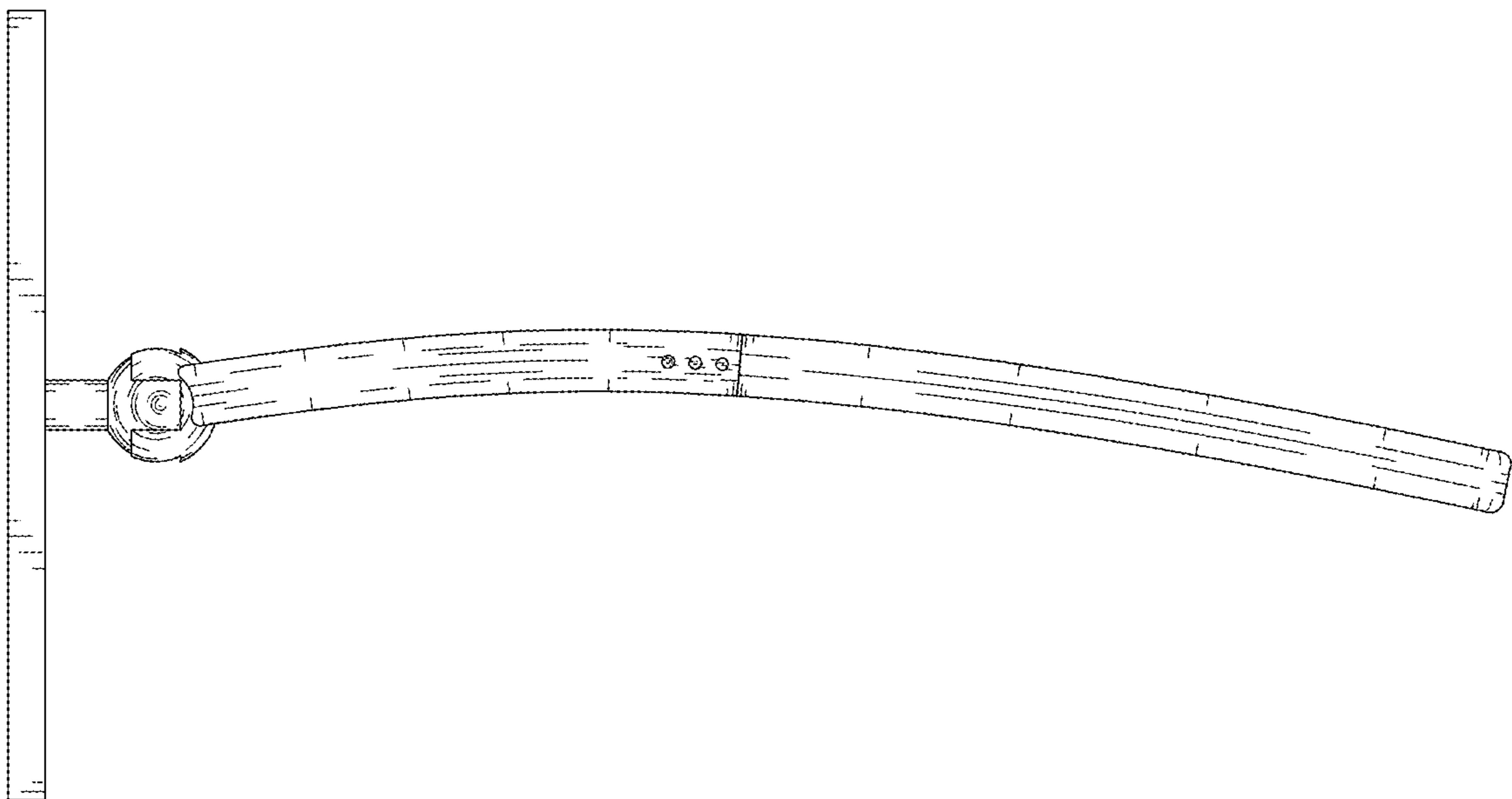


FIG. 6

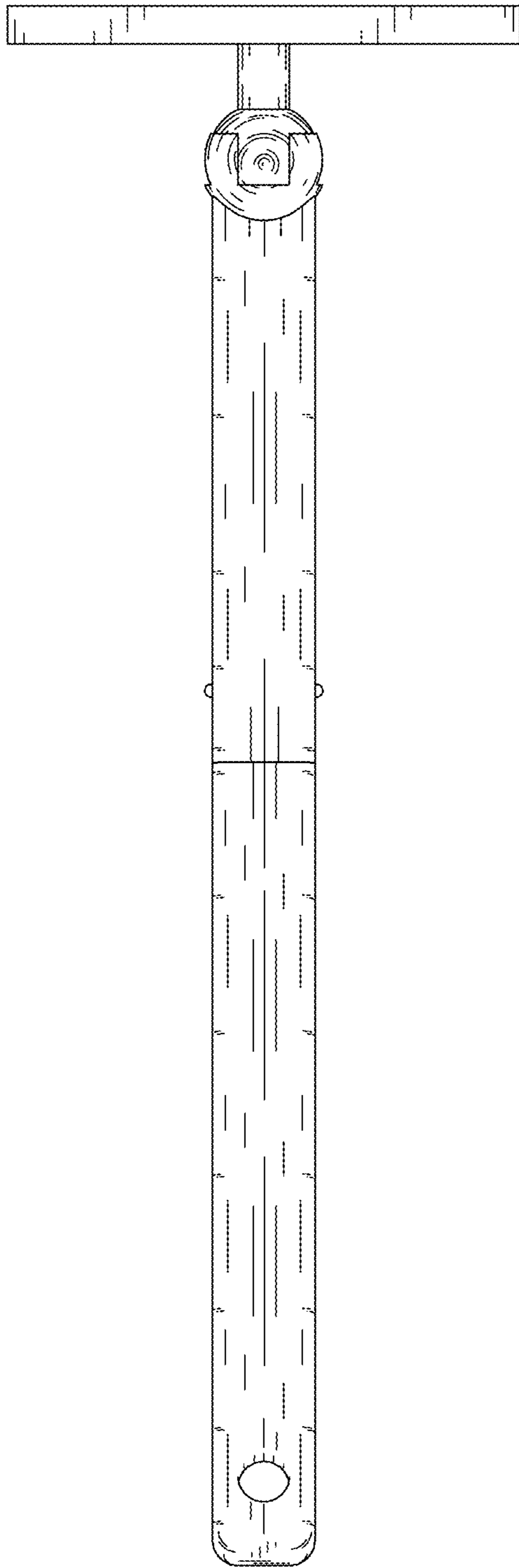


FIG. 7

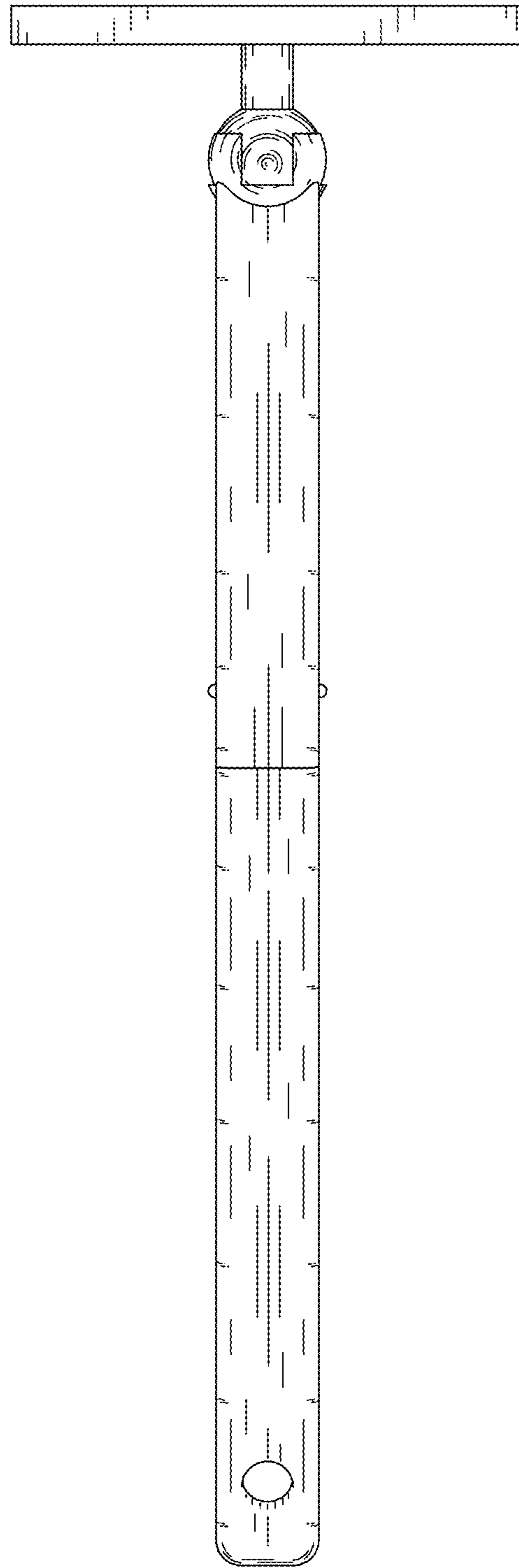


FIG. 8