



US00D984039S

(12) **United States Design Patent** (10) **Patent No.:** **US D984,039 S**  
**Dalle** (45) **Date of Patent:** **\*\* \*Apr. 18, 2023**

- (54) **LIPSTICK CORE** 4,622,985 A \* 11/1986 Jankewitz ..... A61Q 1/10  
401/59
- (71) Applicant: **PARFUMS CHRISTIAN DIOR**, Paris D302,054 S \* 7/1989 Cardia ..... D28/88  
(FR) D302,605 S \* 8/1989 Gebhart ..... D28/87  
D315,426 S \* 3/1991 Pisani ..... D28/4
- (72) Inventor: **Florence Dalle**, Donnery (FR) D331,815 S \* 12/1992 DiSomma ..... D28/4  
D364,486 S \* 11/1995 Tsai ..... D28/88
- (73) Assignee: **PARFUMS CHRISTIAN DIOR**, Paris D452,038 S \* 12/2001 Yang ..... D28/4  
(FR) 6,497,523 B1 \* 12/2002 Kuroiwa ..... A45D 40/16  
401/55

(\* ) Notice: This patent is subject to a terminal disclaimer.

(\*\*) Term: **15 Years**

(21) Appl. No.: **35/512,205**

(22) Filed: **Apr. 21, 2021**

(80) **Hague Agreement Data**

Int. Filing Date: **Apr. 21, 2021**  
Int. Reg. No.: **DM/215161**  
Int. Reg. Date: **Apr. 21, 2021**  
Int. Reg. Pub. Date: **Jul. 16, 2021**

(30) **Foreign Application Priority Data**

Mar. 11, 2021 (EM) ..... 008461255-0002

(51) **LOC (14) Cl.** ..... **28-03**

(52) **U.S. Cl.**  
USPC ..... **D28/4**

(58) **Field of Classification Search**  
USPC ..... D28/85-90, 91.1, 76, 77, 4, 5, 7, 9, 73,  
D28/99; D9/680, 695, 686, 688, 689,  
D9/690, 692, 693, 719, 503, 504, 529,  
D9/552, 565, 569  
See application file for complete search history.

(56) **References Cited**

**U.S. PATENT DOCUMENTS**

D149,954 S \* 6/1948 Kruck ..... D28/7  
D278,750 S \* 5/1985 Pisani ..... D28/88

\* cited by examiner

*Primary Examiner* — Khawaja Anwar

(74) *Attorney, Agent, or Firm* — IpHorgan Ltd.

(57) **CLAIM**

The ornamental design for a lipstick core, as shown and described.

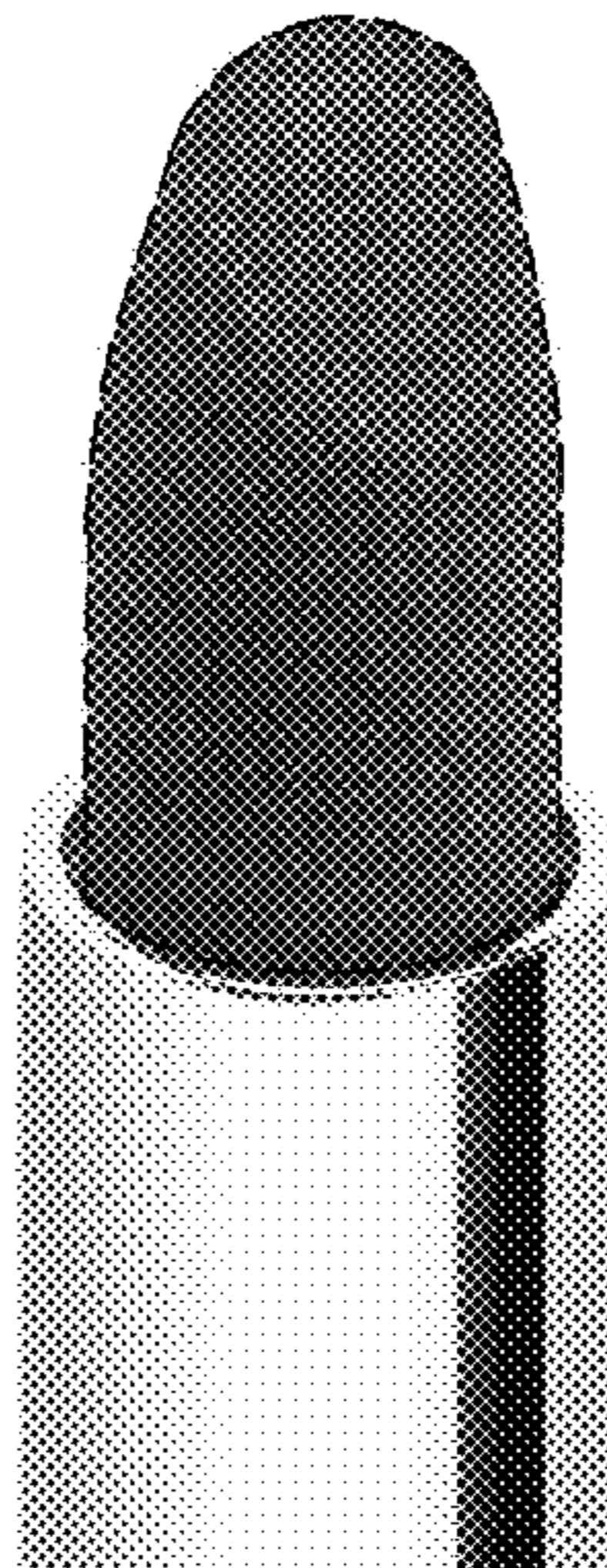
**DESCRIPTION**

The patent or application file contains at least one drawing executed in color. Copies of this patent or patent application publication with color drawing(s) will be provided by the Office upon request and payment of the necessary fee.

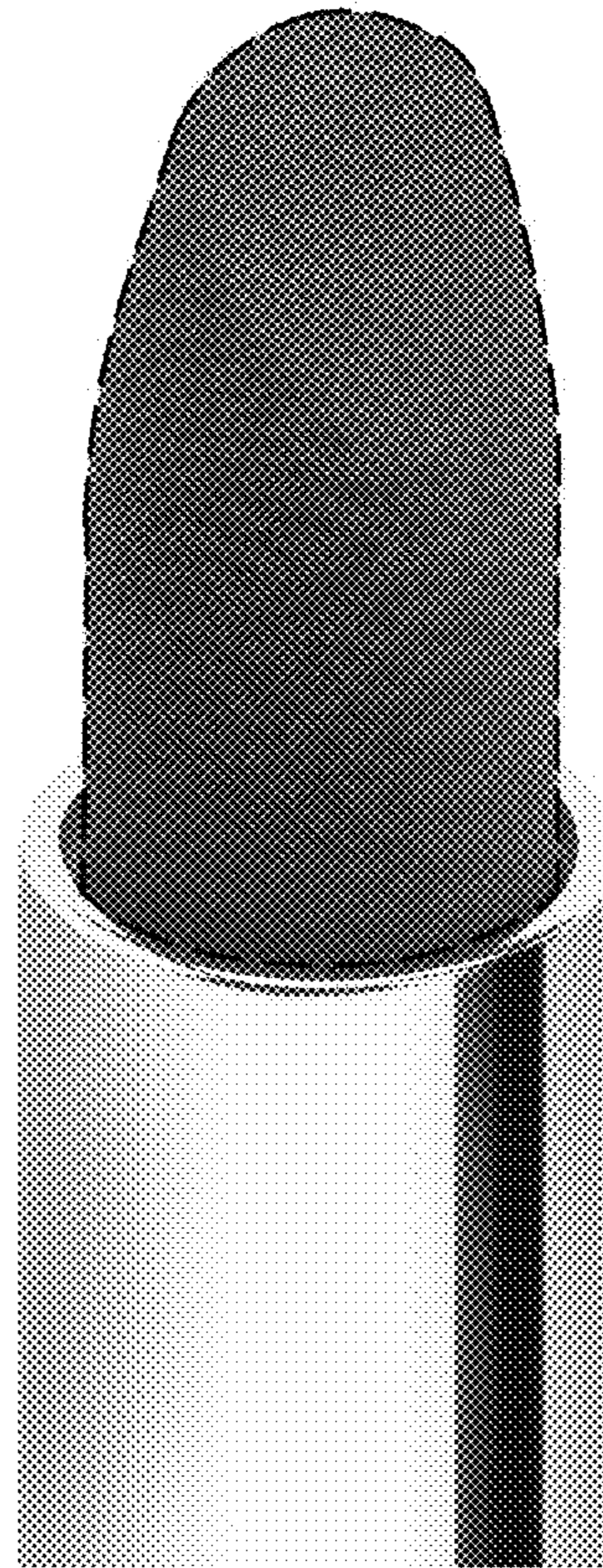
- 1. Lipstick core
- 1.1 : Perspective
- 1.2 : Front
- 1.3 : Back
- 1.4 : Right
- 1.5 : Left
- 1.6 : Top

The broken lines in the figures depict the boundary of the claim and forms no part of the claimed design.

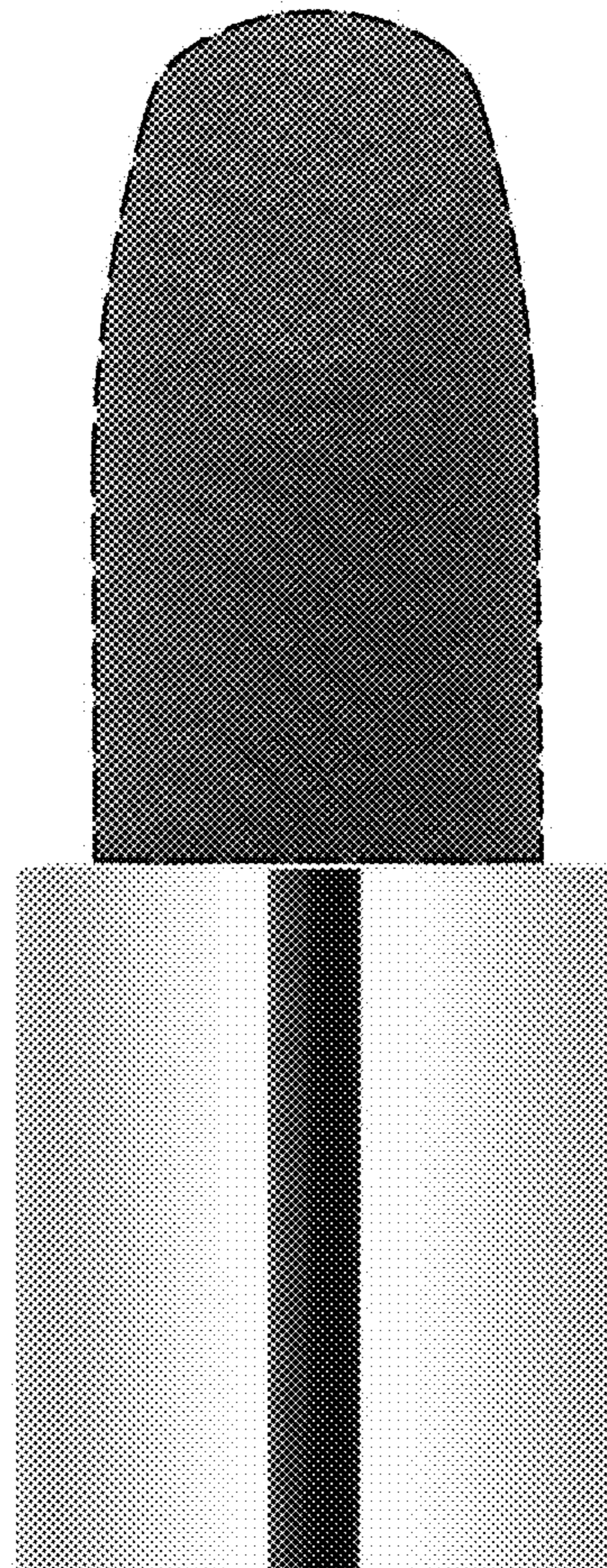
**1 Claim, 6 Drawing Sheets**  
**(6 of 6 Drawing Sheet(s) Filed in Color)**



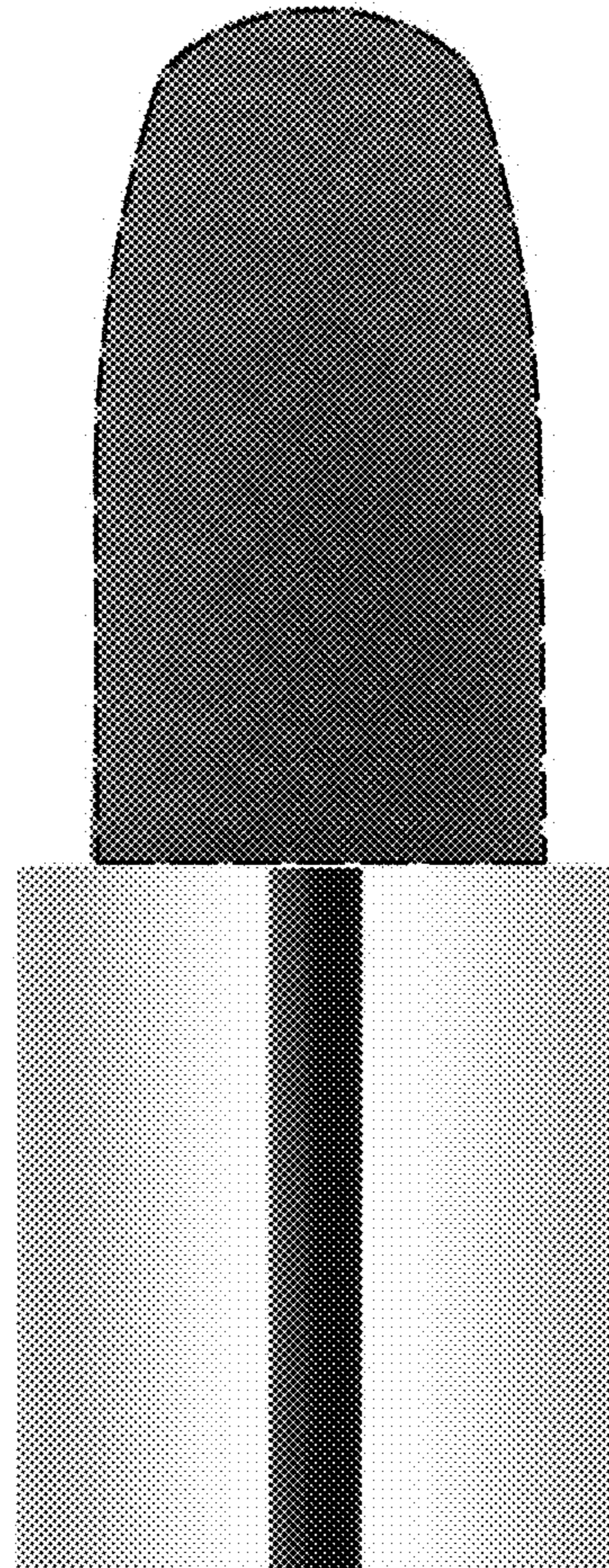
1.1



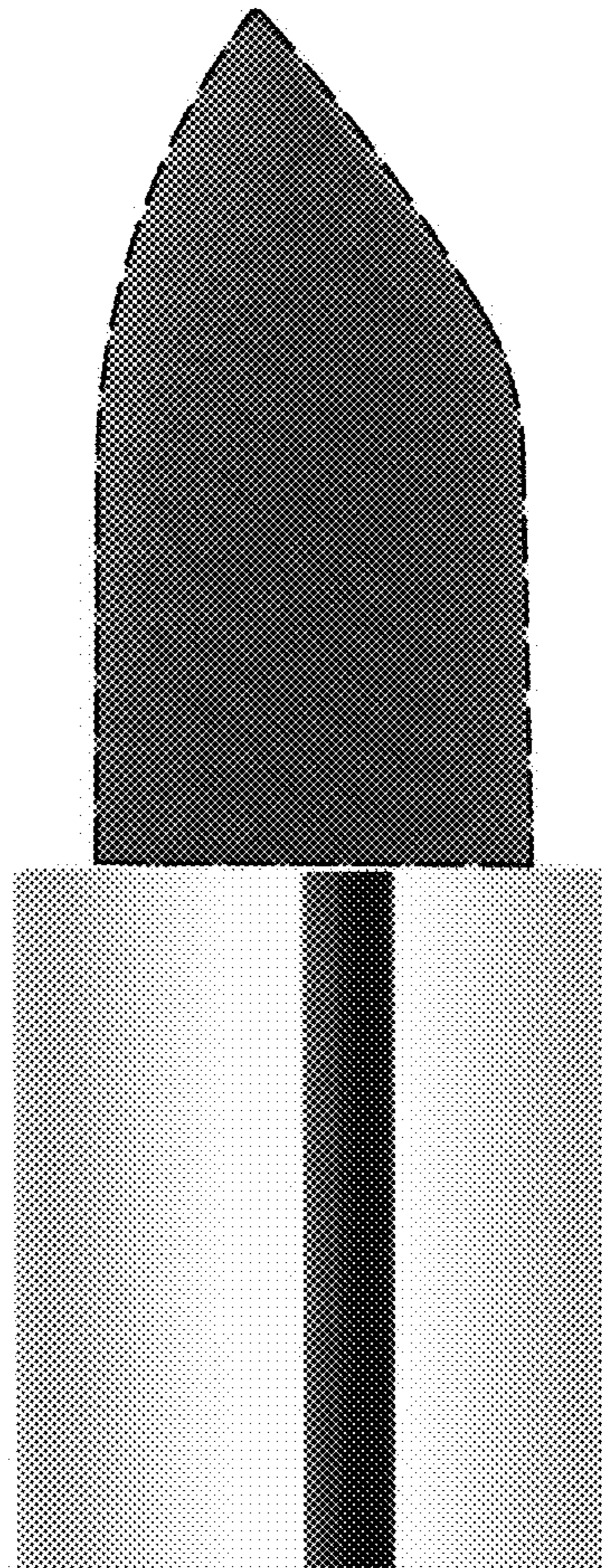
1.2



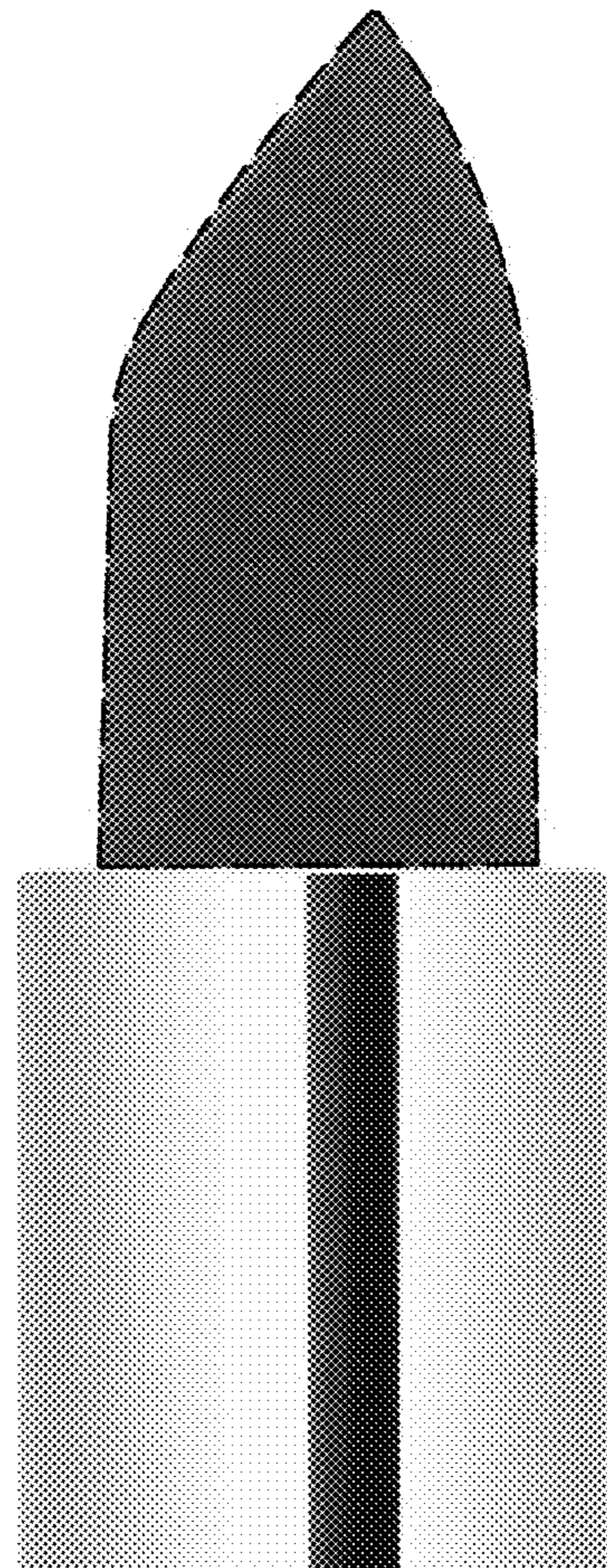
1.3



1.4



1.5



1.6

