



US00D984038S

(12) **United States Design Patent** (10) **Patent No.:** **US D984,038 S**  
**Dalle** (45) **Date of Patent:** **\*\* \*Apr. 18, 2023**

- (54) **LIPSTICK CORE** 4,622,985 A \* 11/1986 Jankewitz ..... A61Q 1/10  
401/59
- (71) Applicant: **PARFUMS CHRISTIAN DIOR**, Paris D302,054 S \* 7/1989 Cardia ..... D28/88  
(FR) D302,605 S \* 8/1989 Gebhart ..... D28/87
- (72) Inventor: **Florence Dalle**, Donnery (FR) D315,426 S \* 3/1991 Pisani ..... D28/4
- (73) Assignee: **PARFUMS CHRISTIAN DIOR**, Paris D331,815 S \* 12/1992 DiSomma ..... D28/4  
(FR) D364,486 S \* 11/1995 Tsai ..... D28/88
- (\*) Notice: This patent is subject to a terminal dis- D452,038 S \* 12/2001 Yang ..... D28/4  
claimer. 6,497,523 B1 \* 12/2002 Kuroiwa ..... A45D 40/16  
401/55

(\*\*) Term: **15 Years**

(21) Appl. No.: **35/512,193**

(22) Filed: **Apr. 21, 2021**

(80) **Hague Agreement Data**

Int. Filing Date: **Apr. 21, 2021**  
Int. Reg. No.: **DM/215162**  
Int. Reg. Date: **Apr. 21, 2021**  
Int. Reg. Pub. Date: **Jul. 16, 2021**

(30) **Foreign Application Priority Data**

Mar. 11, 2021 (EM) ..... 008461255-0001

(51) **LOC (14) Cl.** ..... **28-03**

(52) **U.S. Cl.**  
USPC ..... **D28/4**

(58) **Field of Classification Search**  
USPC ..... D28/85-90, 91.1, 76, 77, 4, 5, 7, 9, 73,  
D28/99; D9/680, 695, 686, 688, 689,  
D9/690, 692, 693, 719, 503, 504, 529,  
D9/552, 565, 569  
See application file for complete search history.

(56) **References Cited**

**U.S. PATENT DOCUMENTS**

D149,954 S \* 6/1948 Kruck ..... D28/7  
D278,750 S \* 5/1985 Pisani ..... D28/88

\* cited by examiner

*Primary Examiner* — Khawaja Anwar

(74) *Attorney, Agent, or Firm* — IpHorgan Ltd.

(57) **CLAIM**

The ornamental design for a lipstick core, as shown and described.

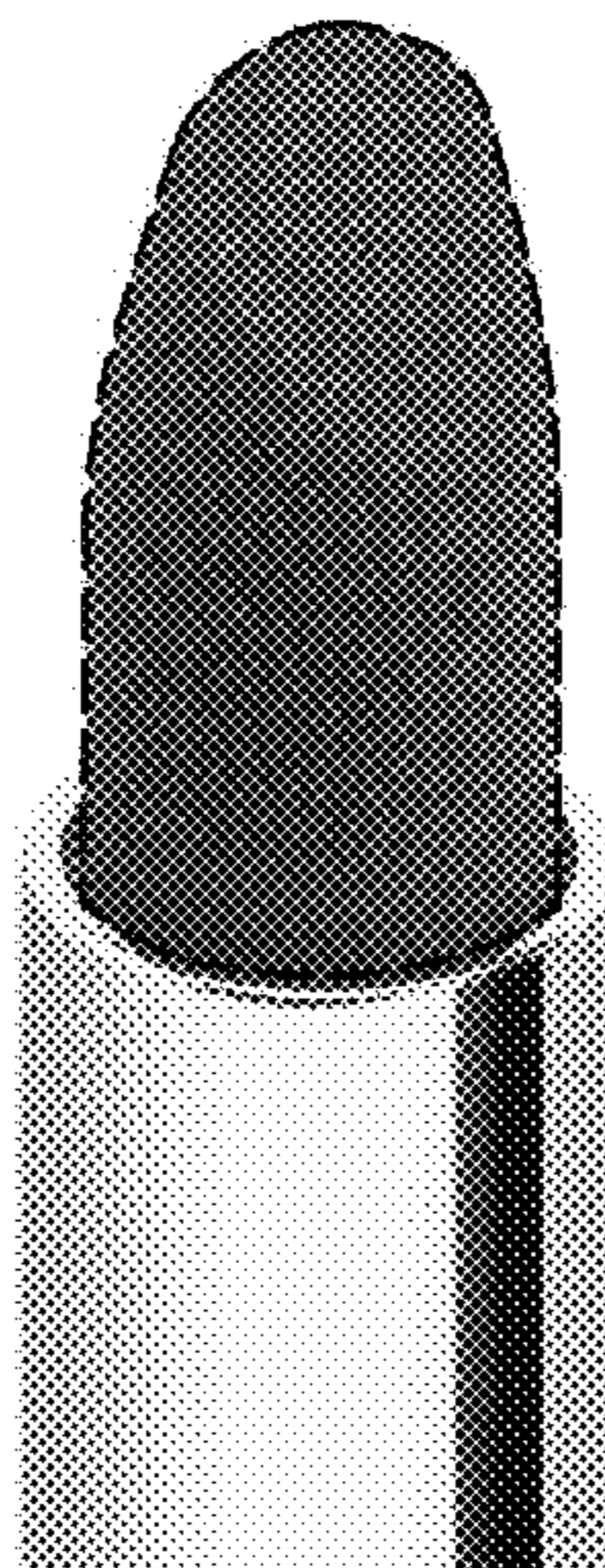
**DESCRIPTION**

The patent or application file contains at least one drawing executed in color. Copies of this patent or patent application publication with color drawing(s) will be provided by the Office upon request and payment of the necessary fee.

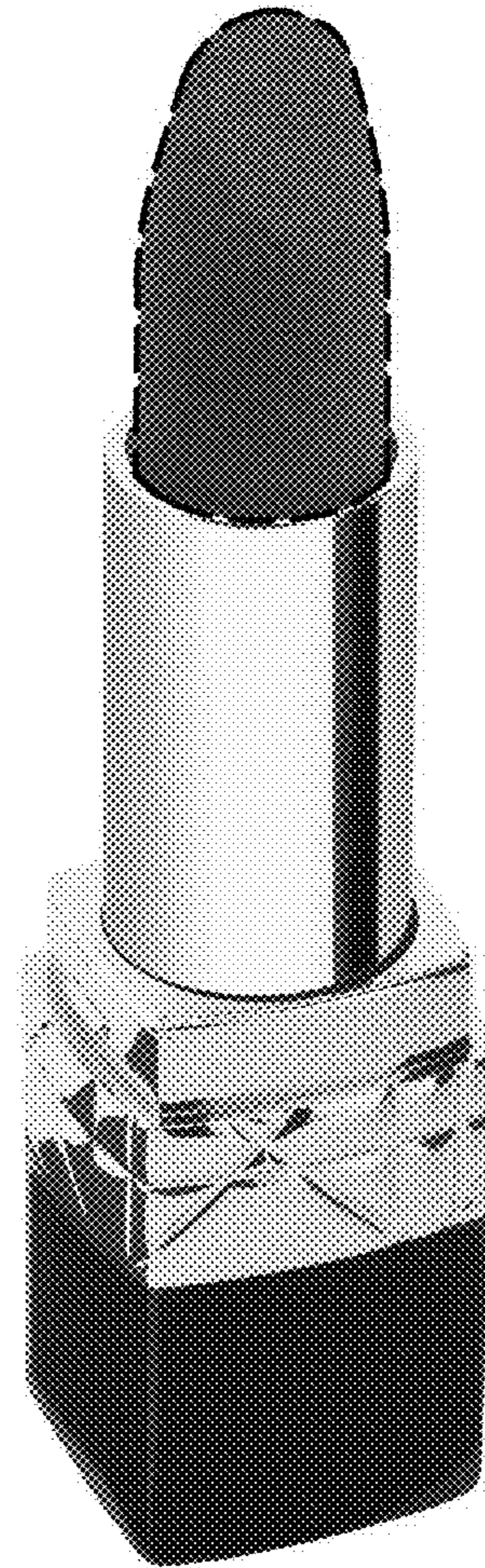
- 1. Lipstick core
- 1.1 : Perspective
- 1.2 : Front
- 1.3 : Back
- 1.4 : Right
- 1.5 : Top
- 1.6 : Perspective

The broken lines in the figures depict the boundary of the claim and form no part of the claimed design.

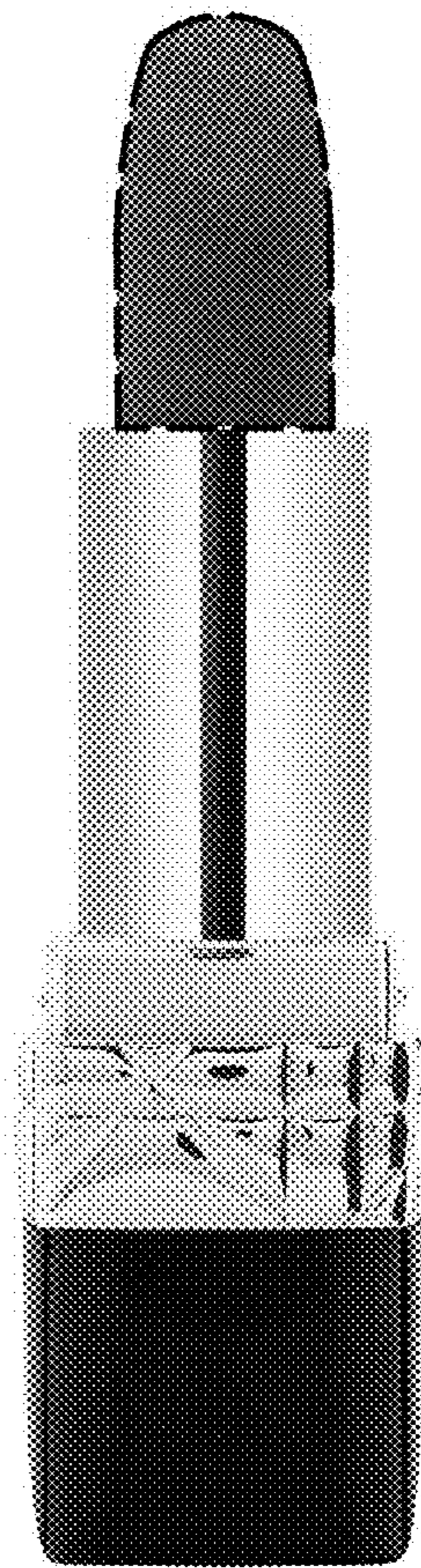
**1 Claim, 6 Drawing Sheets**  
**(6 of 6 Drawing Sheet(s) Filed in Color)**



1.1

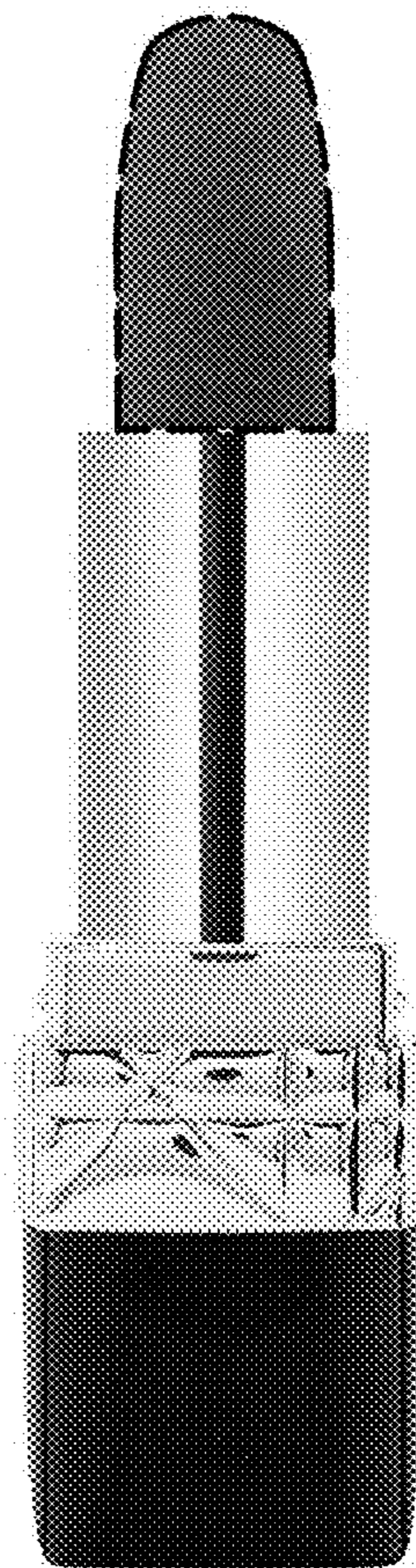


1.2

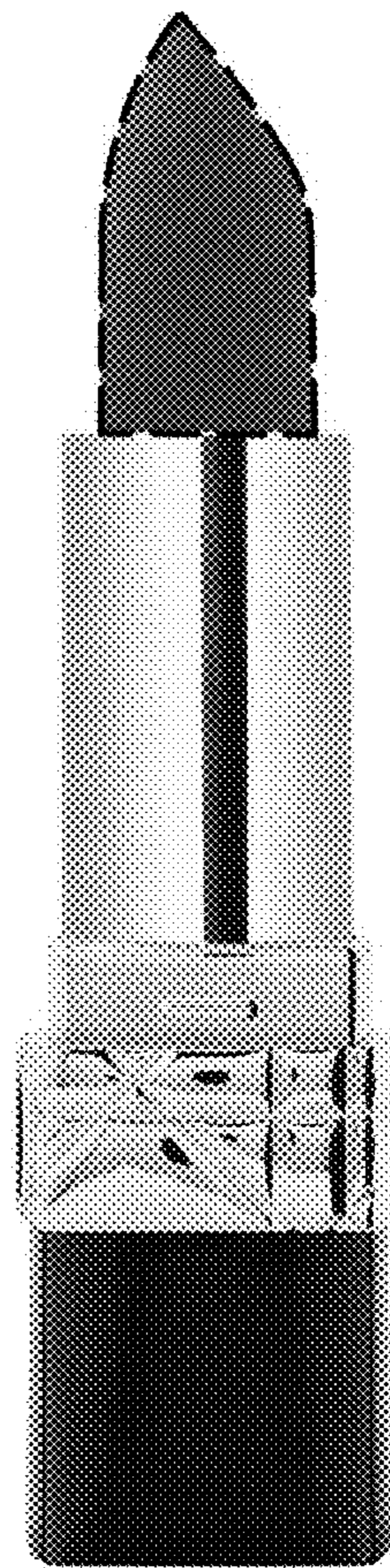




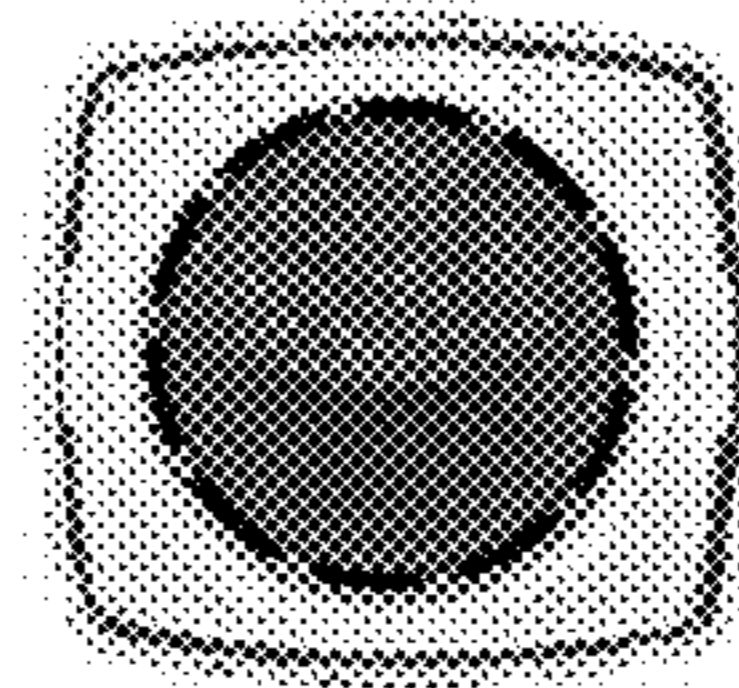
1.3



1.4



1.5



1.6

