



US00D984037S

(12) **United States Design Patent** (10) **Patent No.:** **US D984,037 S**
Horst (45) **Date of Patent:** **** Apr. 18, 2023**

(54) **CIGAR REST**

- (71) Applicant: **Jimmie Dale Horst**, Naperville, IL (US)
- (72) Inventor: **Jimmie Dale Horst**, Naperville, IL (US)
- (**) Term: **15 Years**
- (21) Appl. No.: **29/789,443**
- (22) Filed: **Sep. 23, 2021**
- (51) **LOC (14) Cl.** **27-06**
- (52) **U.S. Cl.**
USPC **D27/183**
- (58) **Field of Classification Search**
USPC D27/183, 102, 109, 125, 126, 128, 134,
D27/135, 136, 172, 180
CPC A24F 19/0035; A24F 19/0014; A24F
19/0028; A24F 19/00; A24F 19/105
See application file for complete search history.

(56) **References Cited**

U.S. PATENT DOCUMENTS

D175,648 S *	9/1955	Ross et al.	D27/102
D388,901 S *	1/1998	Stiller	D27/102
D403,104 S *	12/1998	Ries	D27/102
D422,825 S *	4/2000	Hoffmann	D6/552
D437,084 S *	1/2001	Conrado	D27/102
D521,236 S *	5/2006	Weng	D3/318
D550,898 S *	9/2007	Burkholder	D27/183
D761,488 S *	7/2016	Alarcon	D27/135
D805,249 S *	12/2017	Casalino	D27/183
D968,695 S *	11/2022	Cruice	D27/186

OTHER PUBLICATIONS

Cigar Ashtray By: RONXS found on Walmart (Dec. 14, 2022) [https://www.walmart.com/ip/RONXS-Cigar-Ashtrays-All-Metal-Outdoor-Ashtray-Unbreakable-Portable-Ash-Tray-Single-Holder-Ashtrays-Cigarettes-Great-Accessories-\(Date-not-found\).](https://www.walmart.com/ip/RONXS-Cigar-Ashtrays-All-Metal-Outdoor-Ashtray-Unbreakable-Portable-Ash-Tray-Single-Holder-Ashtrays-Cigarettes-Great-Accessories-(Date-not-found).)*

Cigar Ashtray By: Lubinski found on Amazon (Dec. 14, 2022) [https://www.amazon.com/Lubinski-Ashtray-Cigarettes-Outdoor-Ceramic/dp/B09229GC1P/ref=sr_1_68?crid=1BR5KXJP9Q71F&keywords=cigar+rest&qid=\(Apr.29,2021\).](https://www.amazon.com/Lubinski-Ashtray-Cigarettes-Outdoor-Ceramic/dp/B09229GC1P/ref=sr_1_68?crid=1BR5KXJP9Q71F&keywords=cigar+rest&qid=(Apr.29,2021).)*

* cited by examiner

Primary Examiner — Rebecca Tsehaye

(57) **CLAIM**

The ornamental design for a cigar rest, as shown and described.

DESCRIPTION

FIG. 1 is a top front perspective view of a cigar rest, showing my new design;

FIG. 2 is a front elevation view thereof, with the rear elevation view being a mirror image thereof;

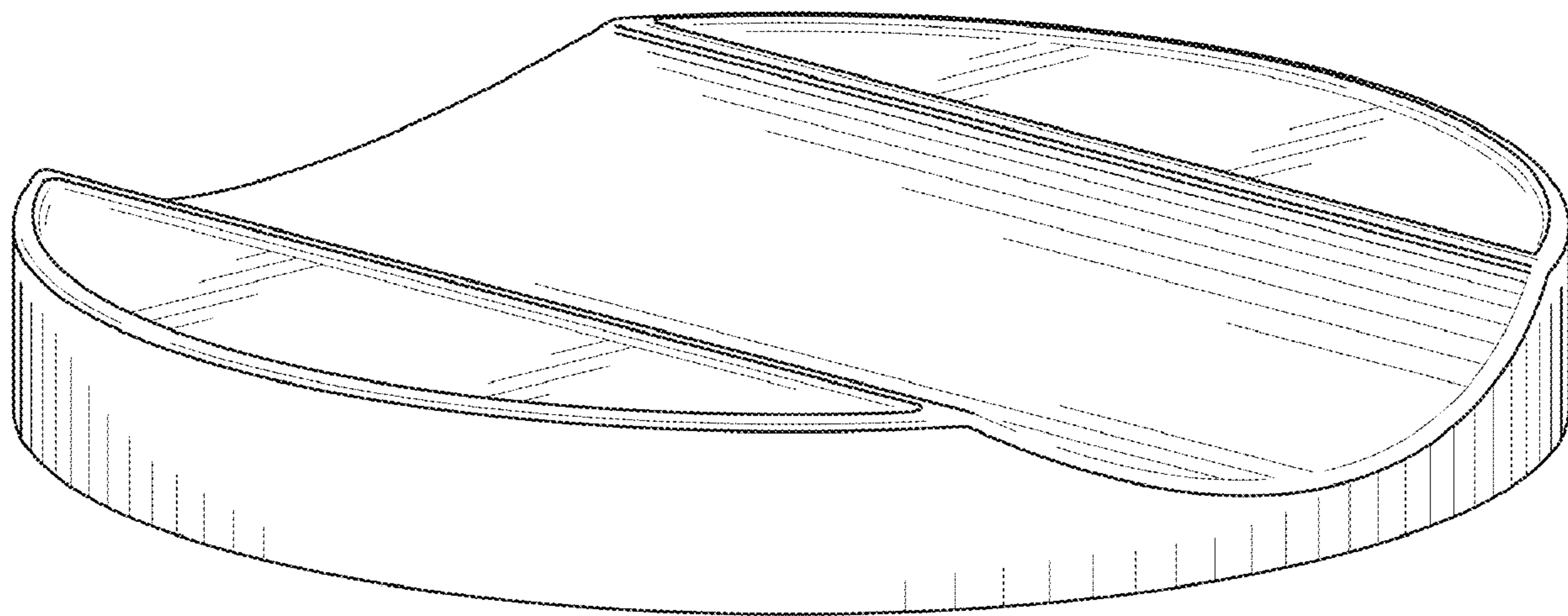
FIG. 3 is a right elevation view thereof, with the left elevation view being a mirror image thereof;

FIG. 4 is a top plan view thereof; and,

FIG. 5 is a bottom plan view thereof.

The broken lines shown in the drawings depict a portion of the article that forms no part of the claimed design.

1 Claim, 4 Drawing Sheets



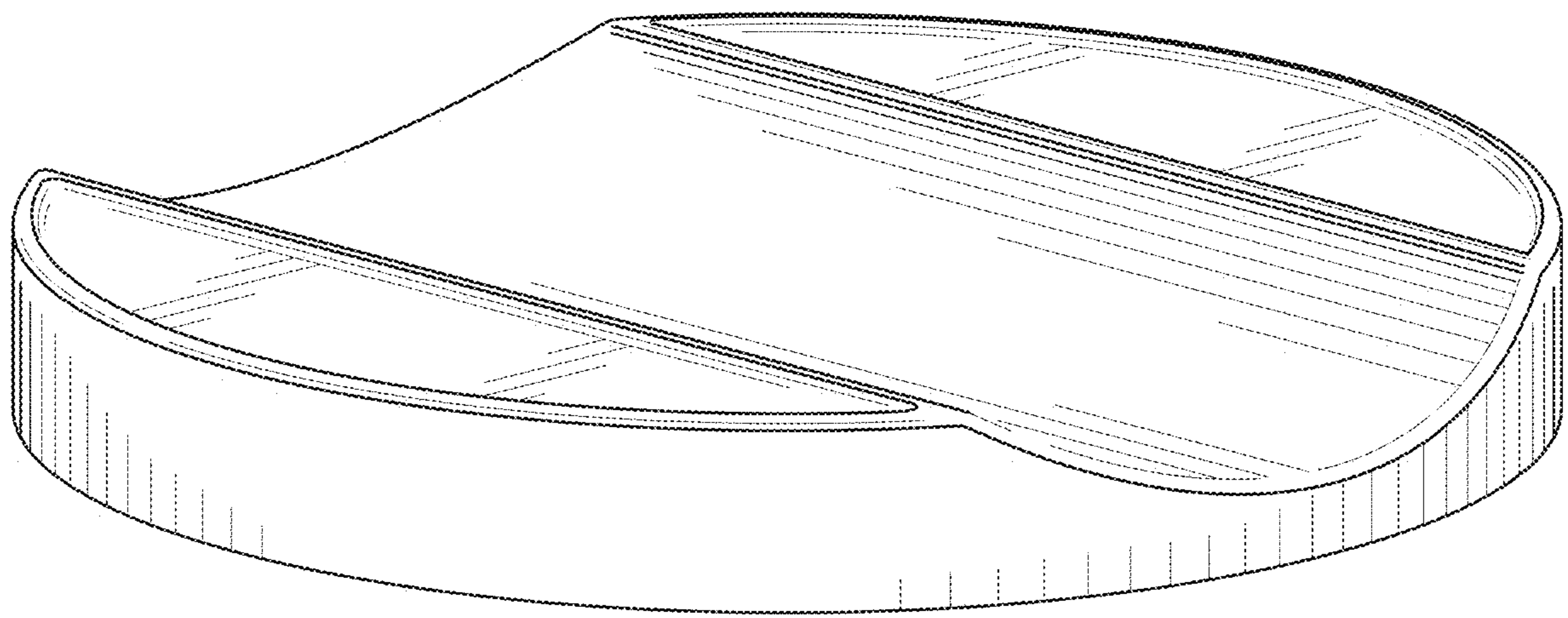


FIG. 1

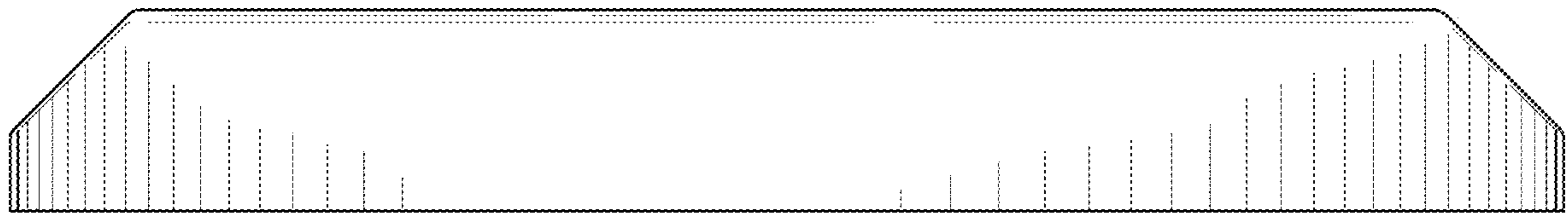


FIG. 2

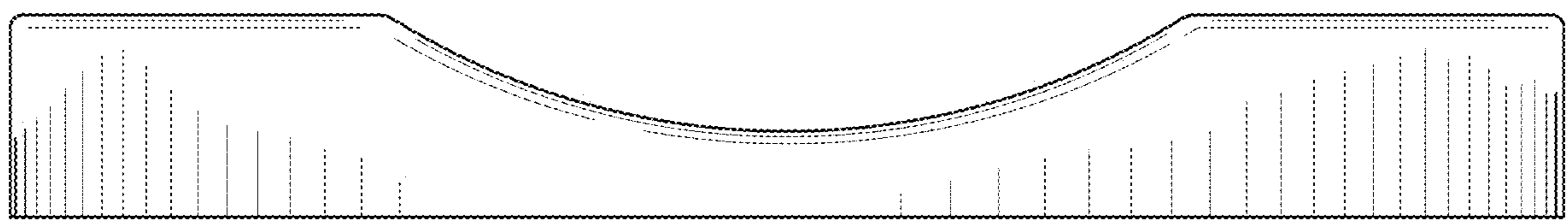


FIG. 3

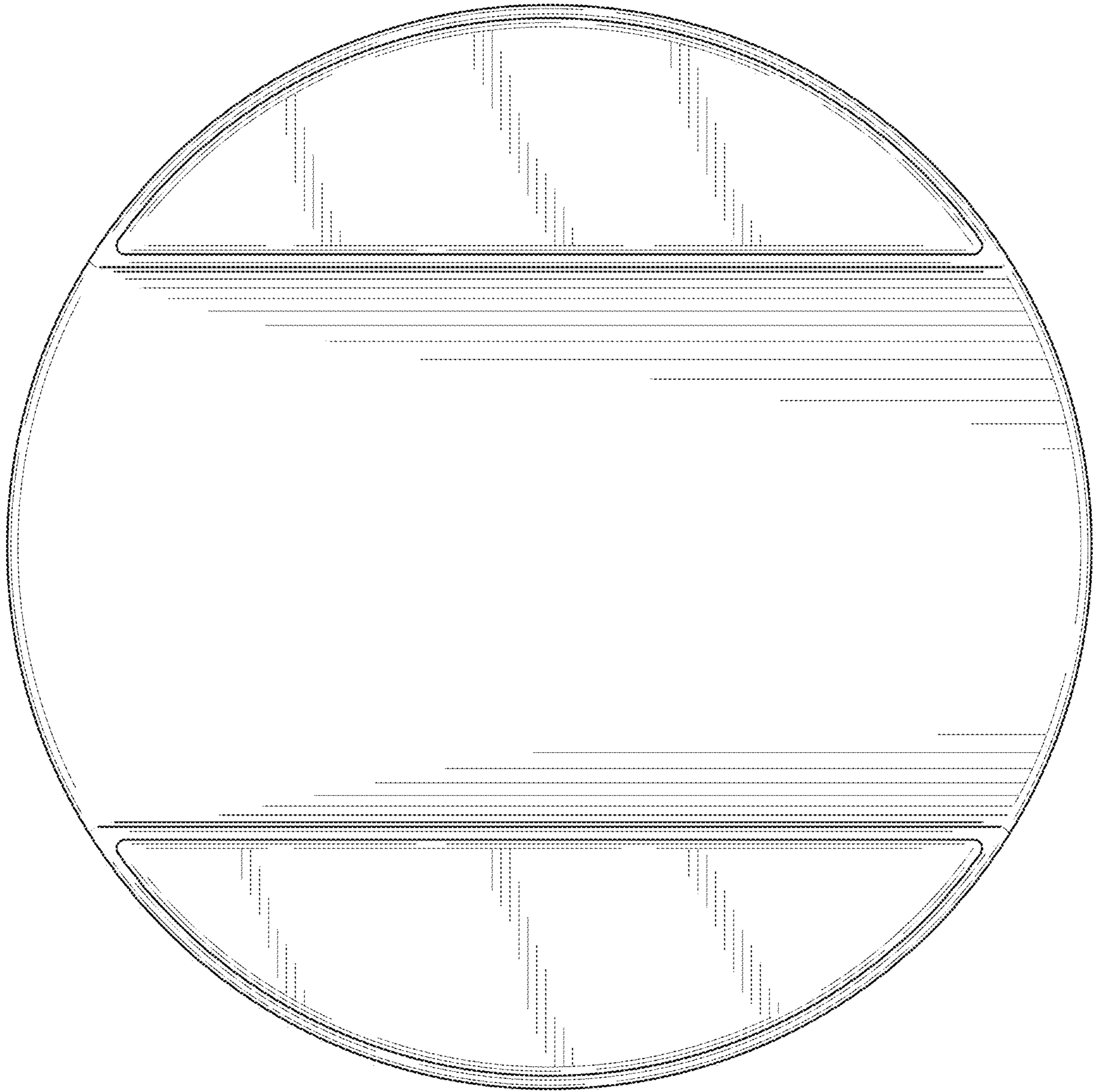


FIG. 4

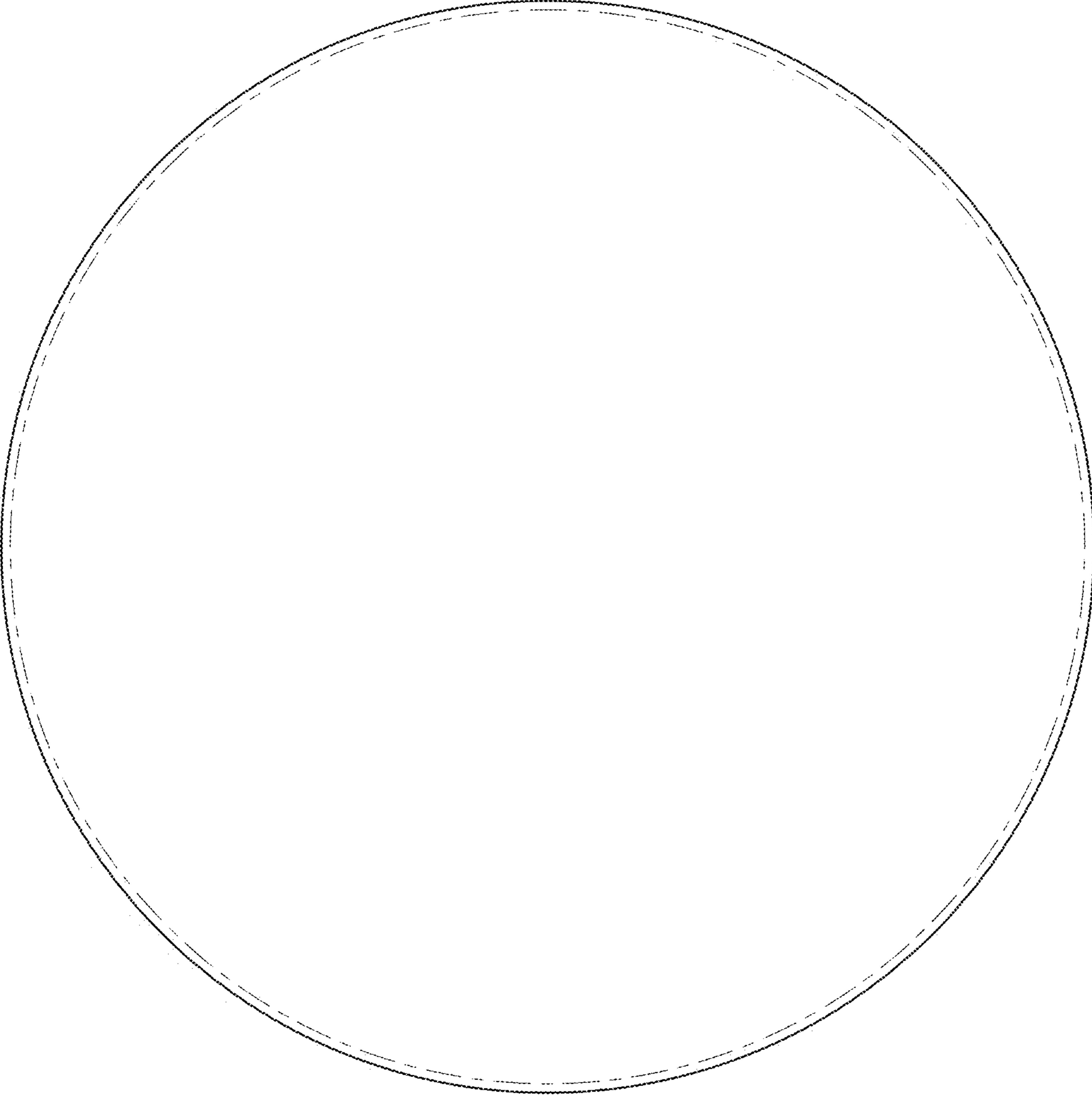


FIG.5