



US00D984035S

(12) **United States Design Patent** (10) **Patent No.:** **US D984,035 S**
Wu (45) **Date of Patent:** **** Apr. 18, 2023**

(54) **LAMP COVER**

(71) Applicant: **COPLUS INC.**, Tainan (TW)

(72) Inventor: **Po-Hua Wu**, Tainan (TW)

(73) Assignee: **COPLUS INC.**, Tainan (TW)

(**) Term: **15 Years**

(21) Appl. No.: **29/798,617**

(22) Filed: **Jul. 9, 2021**

(51) **LOC (14) Cl.** **26-06**

(52) **U.S. Cl.**
USPC **D26/139**; D26/28

(58) **Field of Classification Search**
USPC D26/28, 29, 30, 31, 32, 33, 34, 35, 36,
D26/139

CPC .. F21S 41/00; F21S 41/20; F21S 41/19; F21S
41/50; F21S 41/55; F21S 43/50; F21S
43/00; F21S 43/15; F21W 2104/00;
F21W 2103/35

See application file for complete search history.

(56) **References Cited**

U.S. PATENT DOCUMENTS

D494,706 S *	8/2004	Tsai	D26/139
D544,141 S *	6/2007	Elwell	D26/139
D544,642 S *	6/2007	Elwell	D26/139
D571,500 S *	6/2008	Lin	D26/139
D632,424 S *	2/2011	Fesler	D26/139
D696,453 S *	12/2013	Conway	D26/139
D865,274 S *	10/2019	Yu	D26/139
D875,279 S *	2/2020	Razaghi	D26/28

D912,305 S *	3/2021	Langhals	D26/139
D932,670 S *	10/2021	Wu	D26/28
D959,712 S *	8/2022	Yang	D26/28
D959,713 S *	8/2022	Yang	D26/28
2016/0200241 A1 *	7/2016	Snider	B60Q 3/30 362/520

* cited by examiner

Primary Examiner — Angela J Lee

Assistant Examiner — Anthony Vincent Rotolo

(74) *Attorney, Agent, or Firm* — CKC & Partners Co.,
LLC

(57) **CLAIM**

The ornamental design for a lamp cover, as shown and described.

DESCRIPTION

FIG. 1 is a front, top, right perspective view of a lamp cover, showing the claimed design;

FIG. 2 is a front elevational view thereof;

FIG. 3 is a rear elevational view thereof;

FIG. 4 is a left side elevational view thereof;

FIG. 5 is a right side elevational view thereof;

FIG. 6 is a top plan view thereof; and,

FIG. 7 is a bottom plan view thereof.

The broken lines in the drawings illustrate portions of the lamp cover which form no part of the claimed design. Shading is used to illustrate the curvature of the part and not color. The claimed design is indicated by the relatively dark portions in the drawings, while the relatively light portions are environmental and form no part of the claimed design.

1 Claim, 7 Drawing Sheets

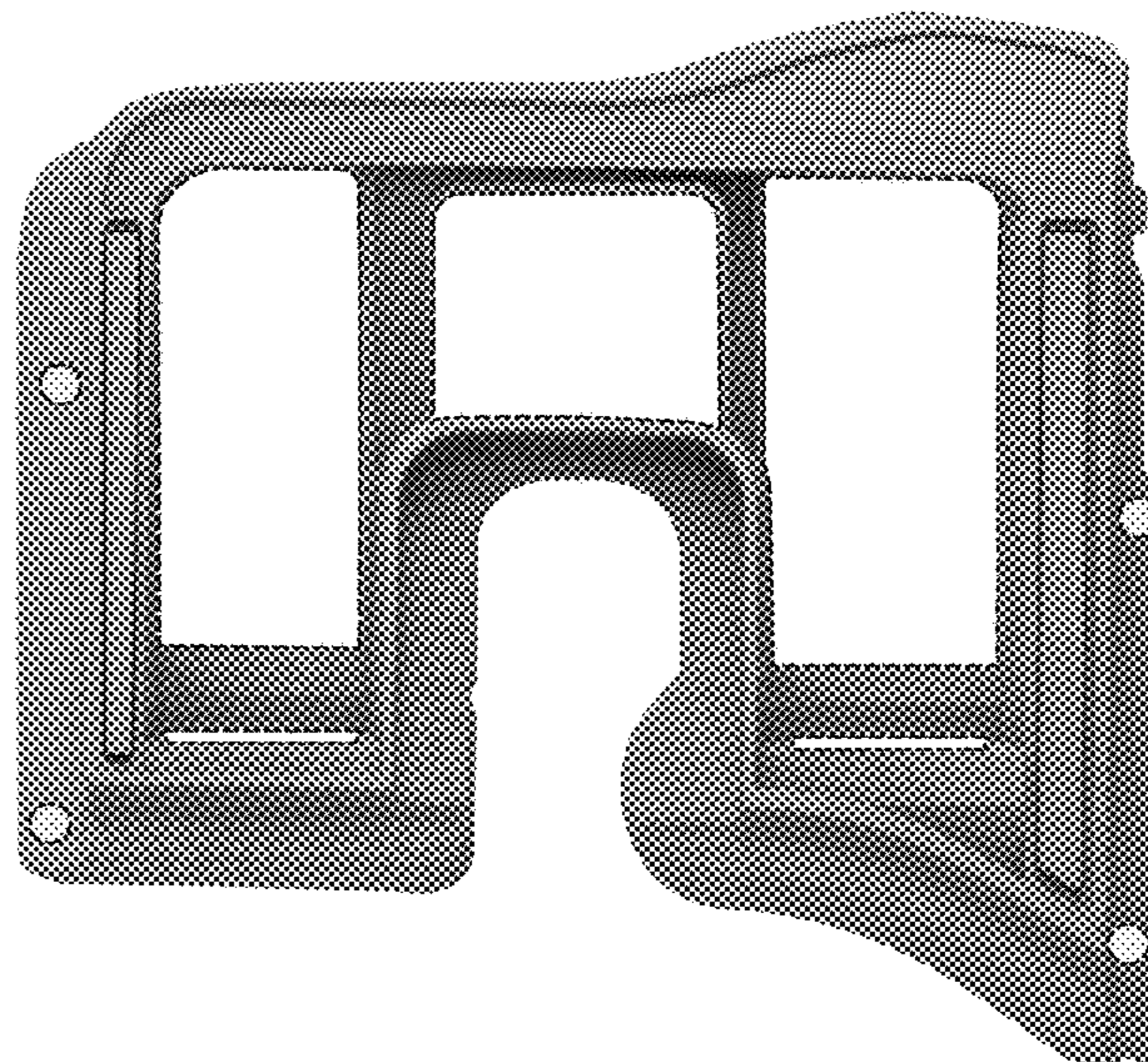
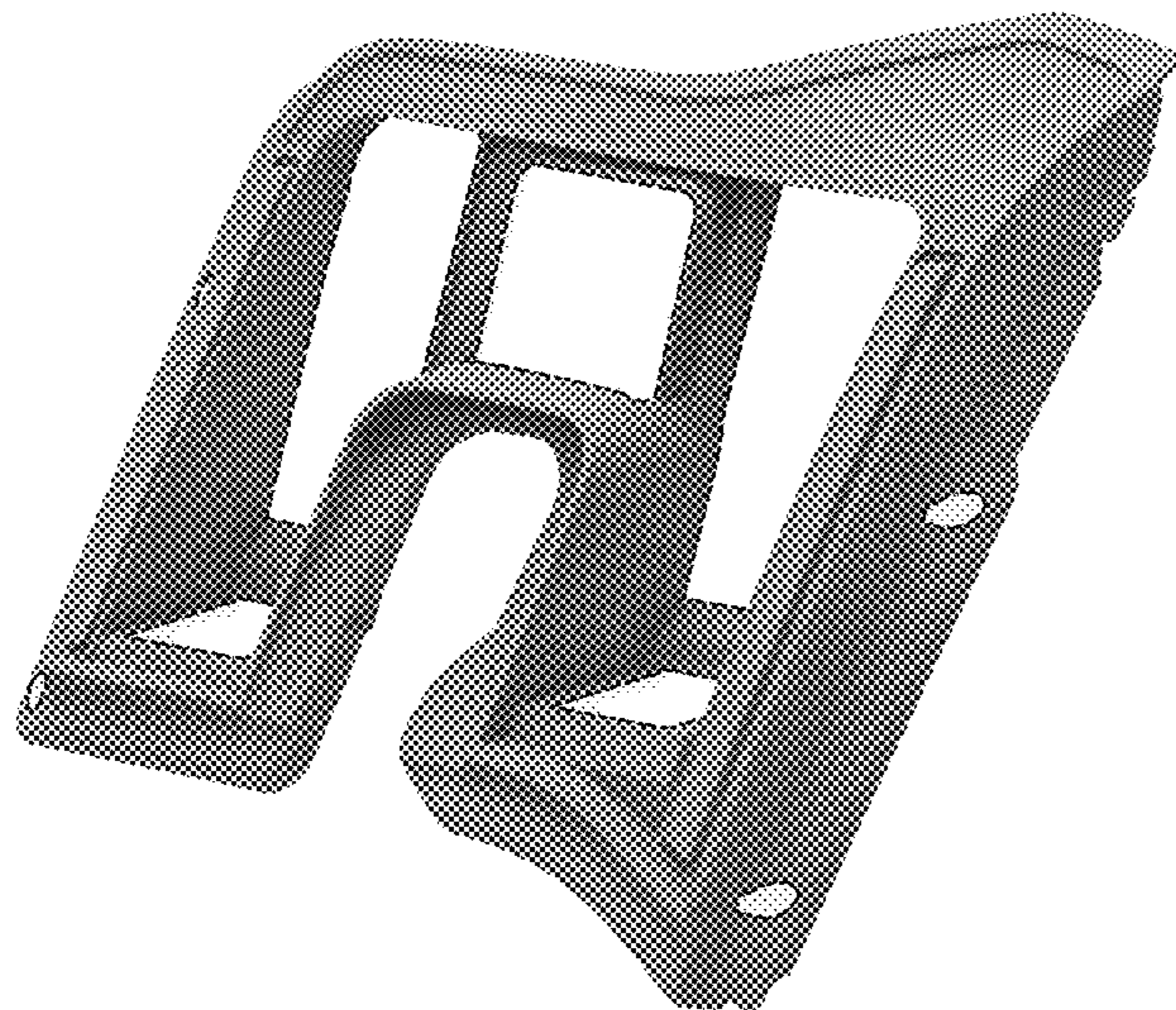




Fig. 1

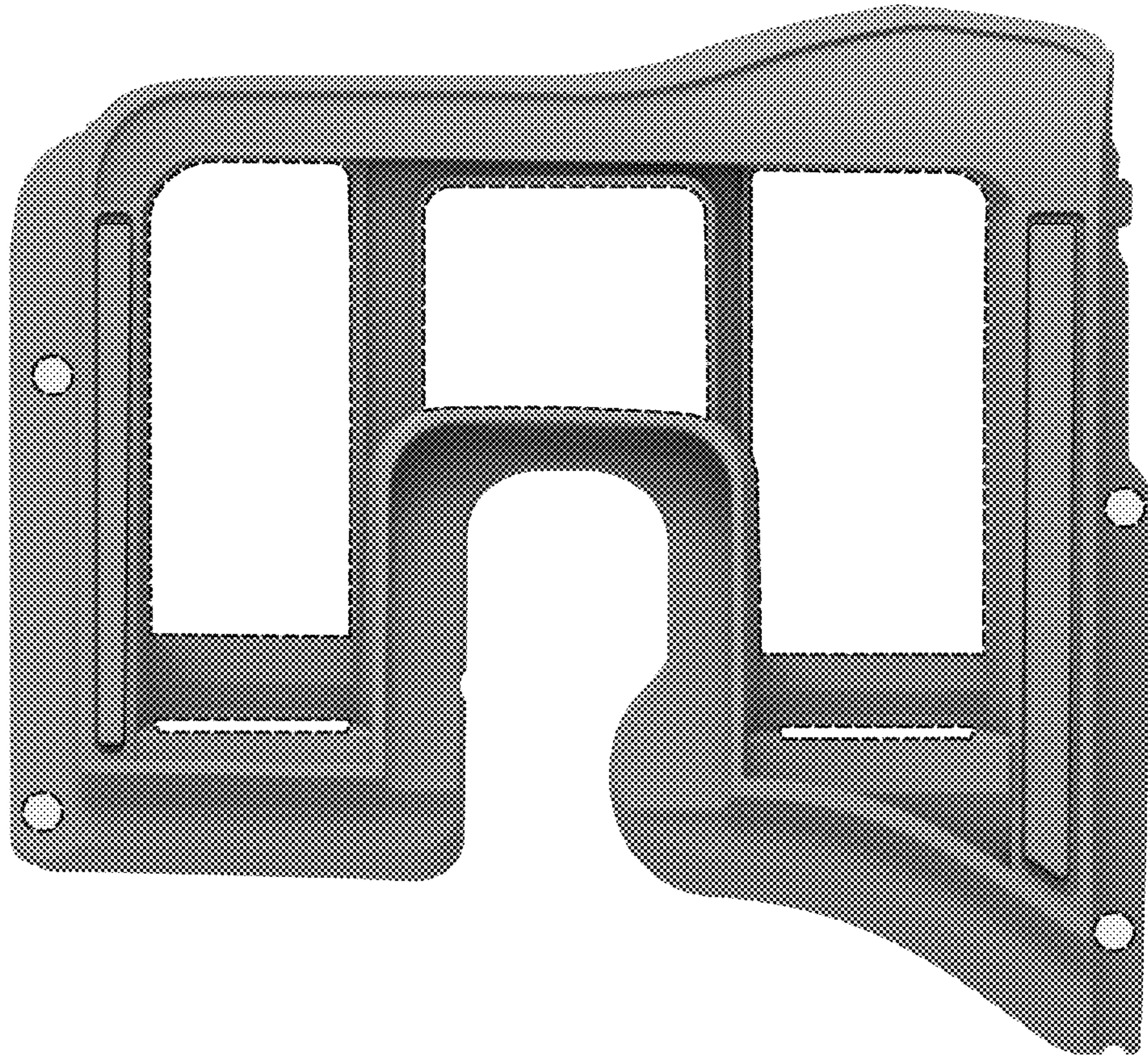


Fig. 2

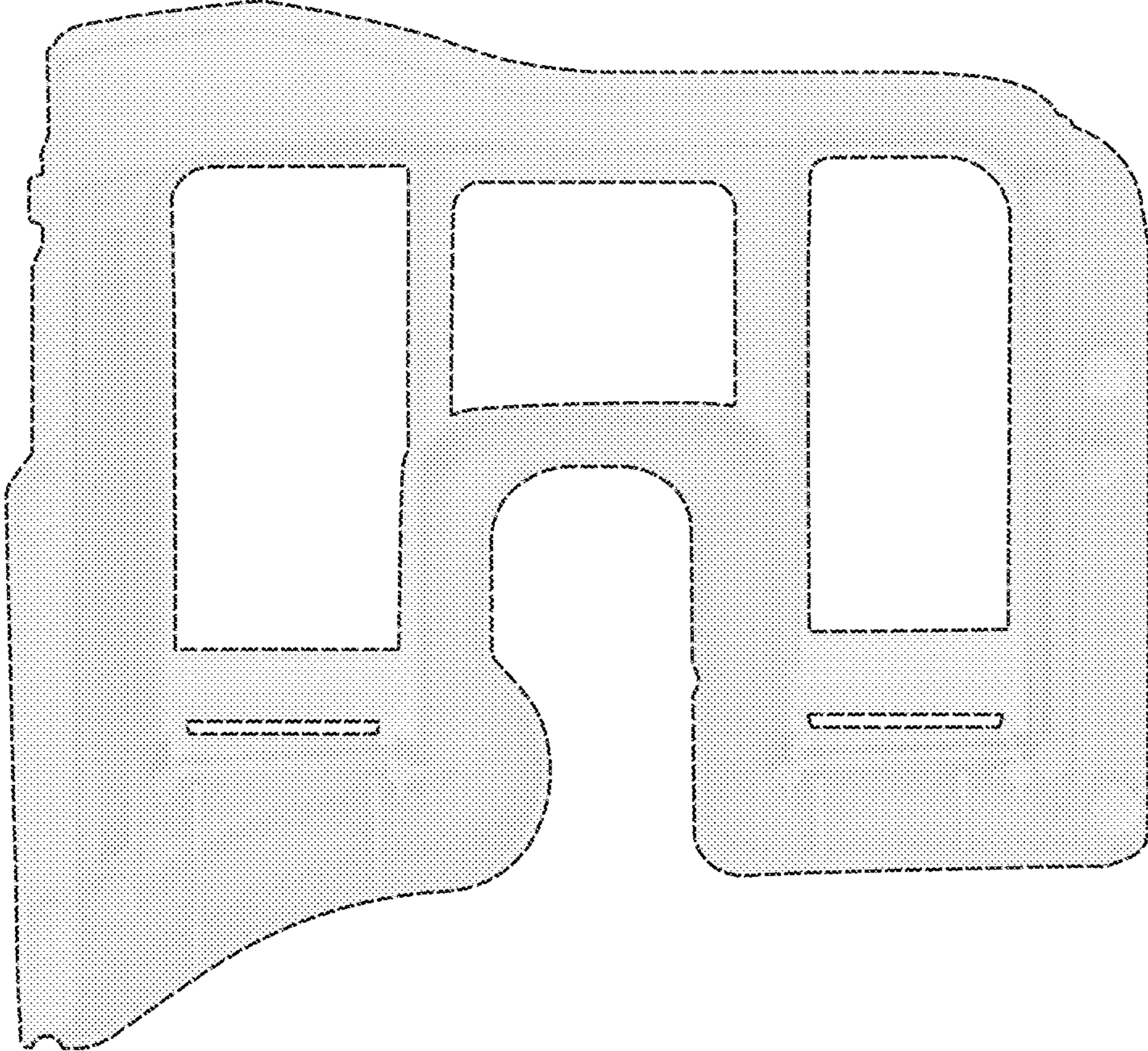


Fig. 3

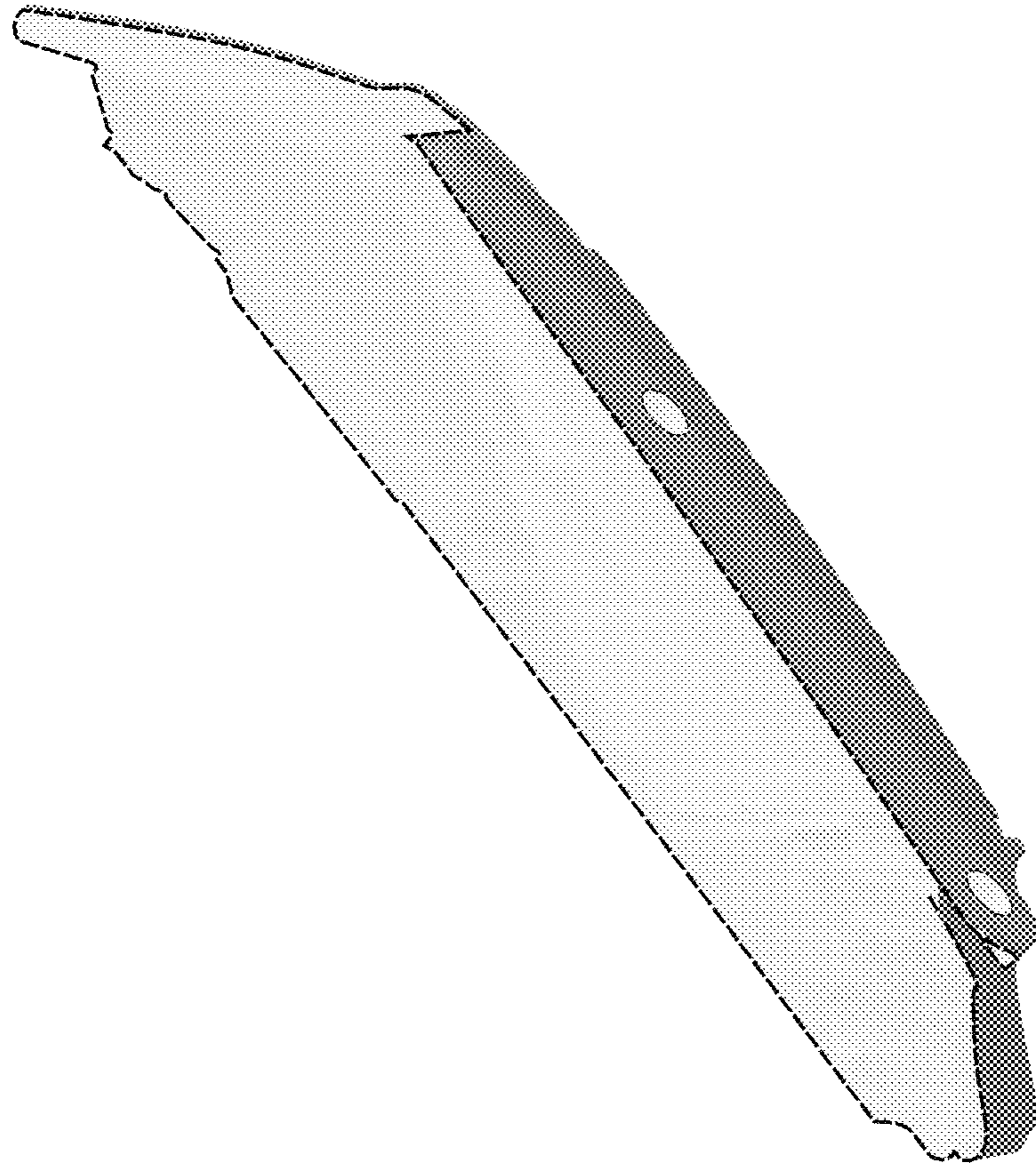


Fig. 4



Fig. 5

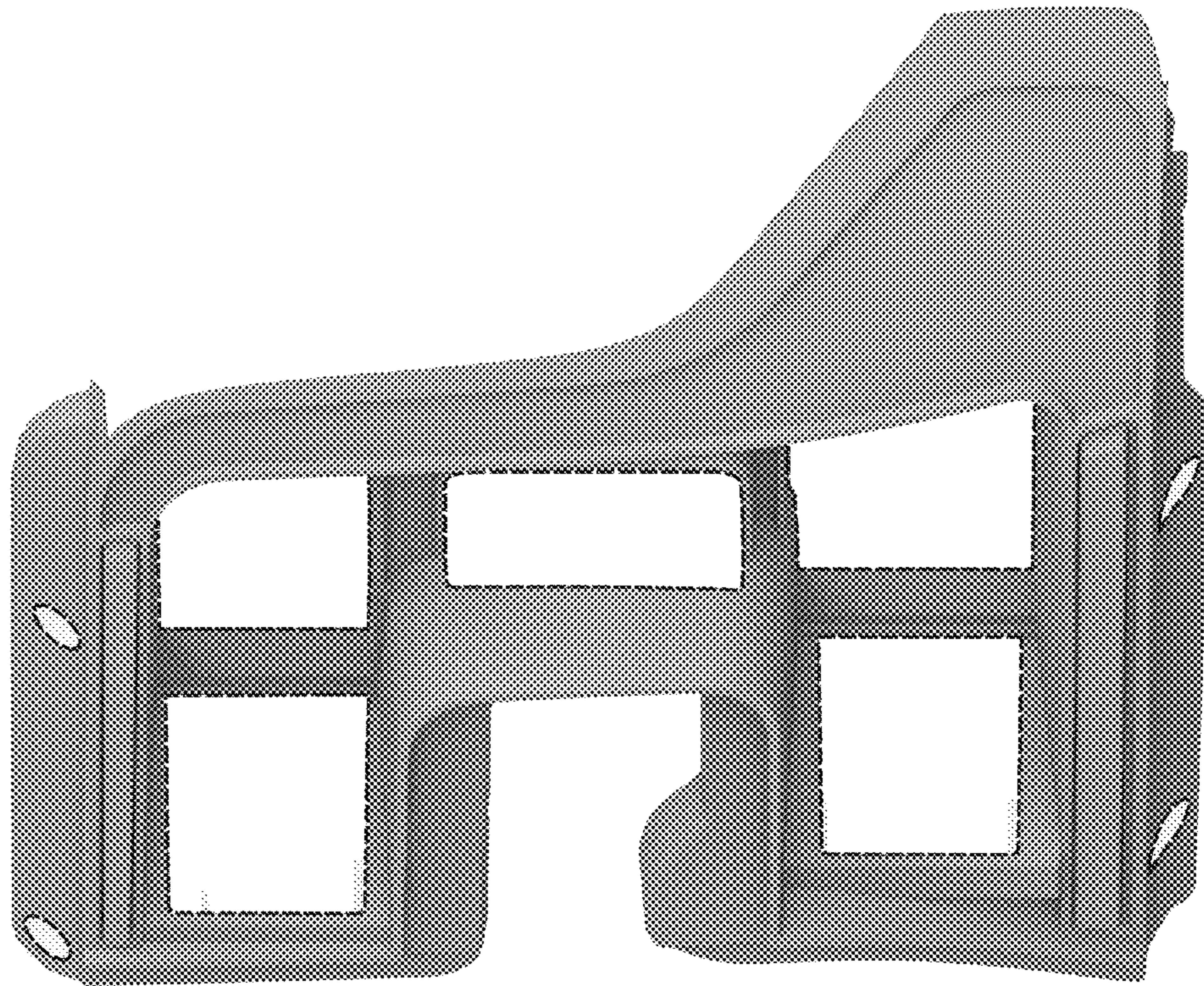


Fig. 6

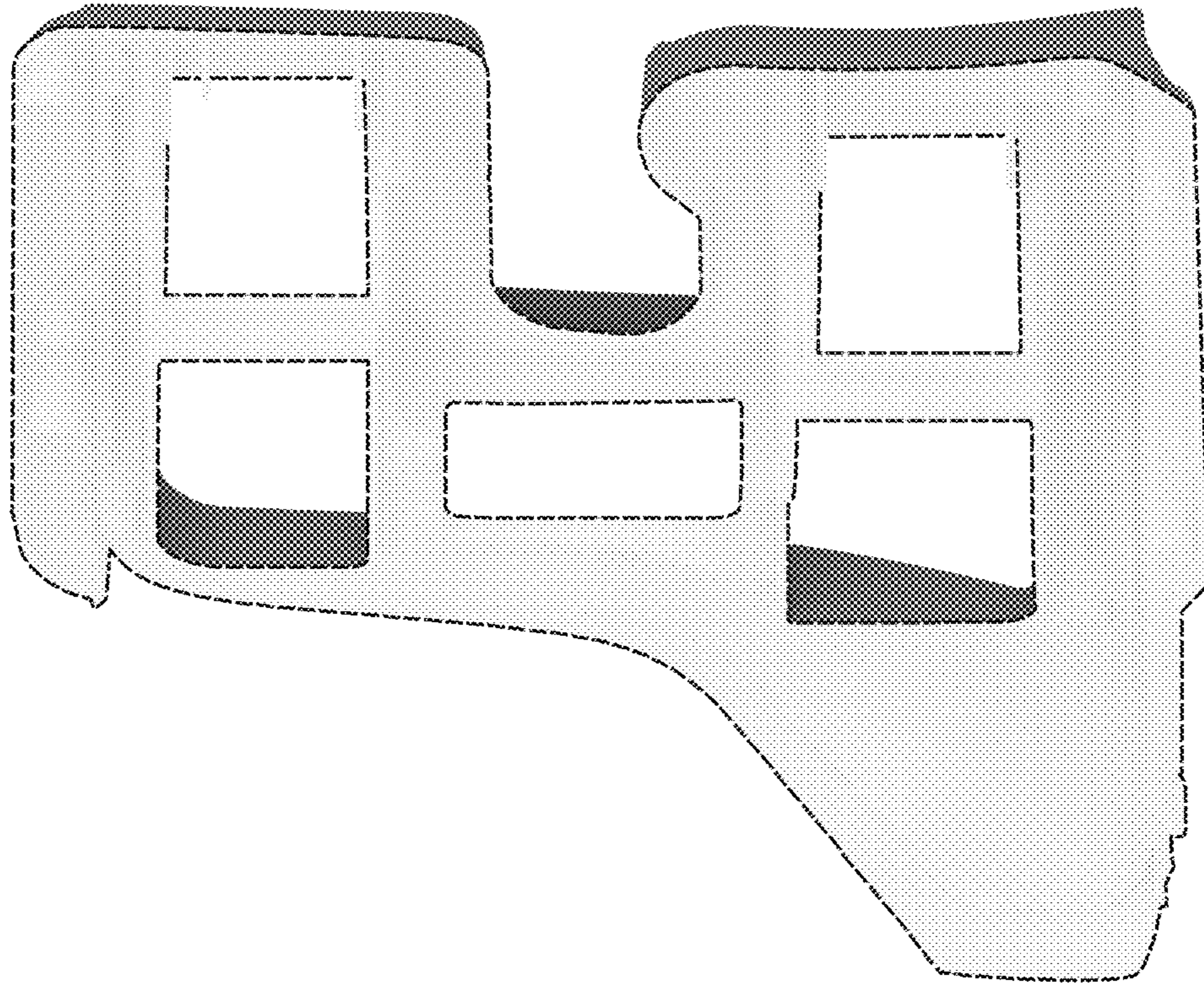


Fig.7