



US00D984033S

(12) **United States Design Patent**  
**Zhang**

(10) **Patent No.:** **US D984,033 S**

(45) **Date of Patent:** **\*\* Apr. 18, 2023**

(54) **LAMPSHADE**

(71) Applicant: **Dongfeng Zhang**, Puning (CN)

(72) Inventor: **Dongfeng Zhang**, Puning (CN)

(\*\*) Term: **15 Years**

(21) Appl. No.: **29/818,715**

(22) Filed: **Dec. 10, 2021**

(51) **LOC (14) Cl.** ..... **26-05**

(52) **U.S. Cl.**  
USPC ..... **D26/128; D26/25**

(58) **Field of Classification Search**  
USPC ... D26/1-4, 24-25, 118-120, 123-124, 128,  
D26/130, 134, 138  
CPC ... F21V 1/00; F21V 1/16; F21V 1/143; F21V  
1/12; F21V 3/02; F21V 17/002; F21V  
17/06; F21V 1/04; F21V 1/22; F21V  
1/14; F21V 17/04; F21V 17/164; F21V  
1/20; F21V 3/00

See application file for complete search history.

(56) **References Cited**

**U.S. PATENT DOCUMENTS**

3,873,880	A *	3/1975	Riddell	.....	H05B 41/34 340/331
D557,451	S	12/2007	McDowell		
D611,649	S *	3/2010	Chen	.....	D26/128
D629,153	S *	12/2010	Chen	.....	D26/128
D768,328	S	10/2016	Scheepers		
D888,293	S *	6/2020	Xie	.....	D26/1

D956,278	S *	6/2022	Zhao	.....	D26/25
D962,493	S *	8/2022	Xu	.....	D26/1
D972,770	S *	12/2022	Pang	.....	D26/124

\* cited by examiner

*Primary Examiner* — Mark A Goodwin  
*Assistant Examiner* — William B Melliar

(57) **CLAIM**

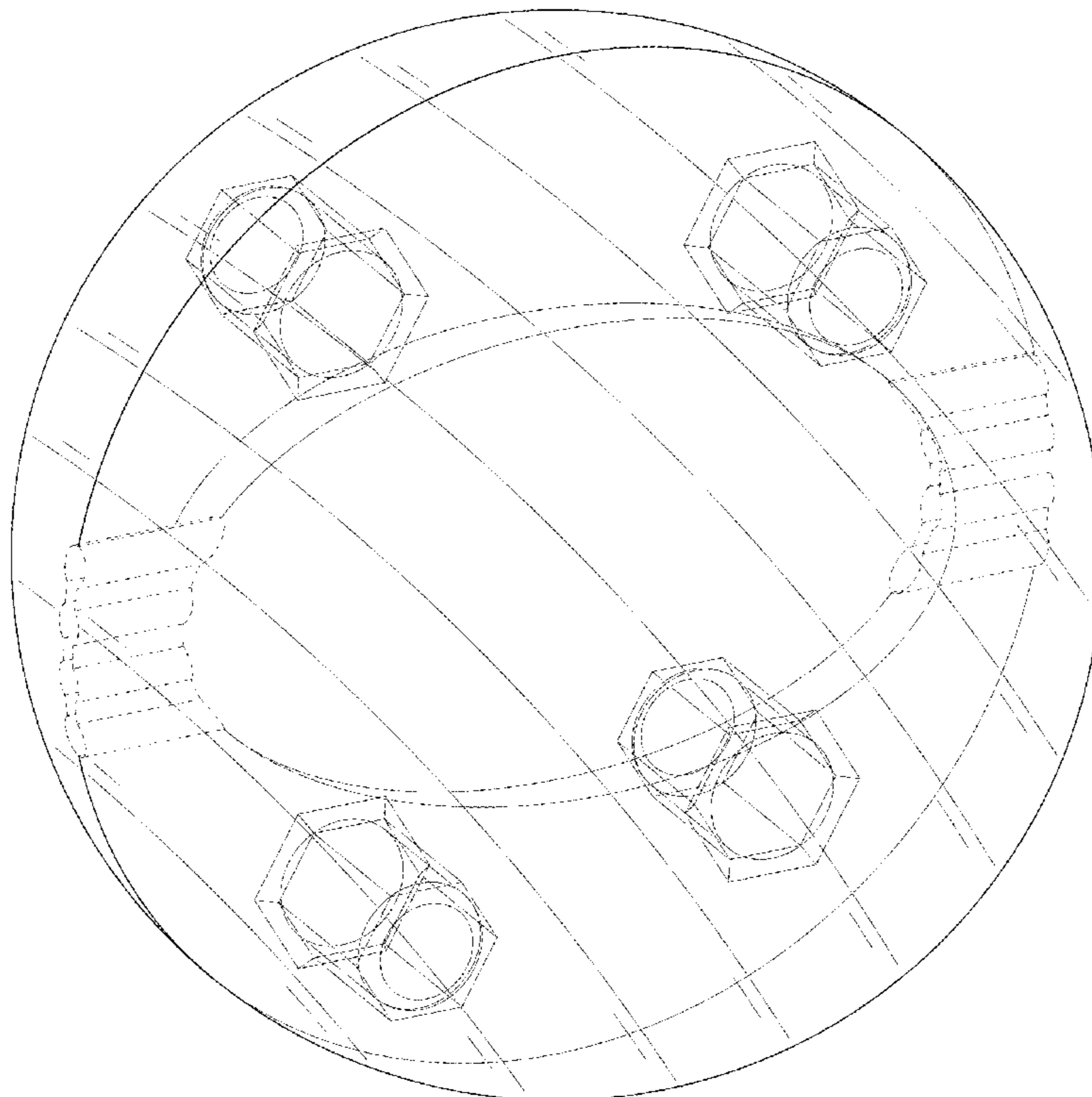
The ornamental design for a lampshade, as shown and described.

**DESCRIPTION**

FIG. 1 is a perspective view of a lampshade showing my new design;  
FIG. 2 is a perspective view of the lampshade shown in an environment of use;  
FIG. 3 is an exploded perspective view of the lampshade shown with both components removed for clarity of disclosure;  
FIG. 4 is another exploded perspective view thereof;  
FIG. 5 is a front view thereof;  
FIG. 6 is a rear view thereof;  
FIG. 7 is a left side view thereof;  
FIG. 8 is a right side view thereof;  
FIG. 9 is a top plan view thereof; and,  
FIG. 10 is a bottom plan view thereof.

The broken lines in the drawings depict portions of the lampshade that form no part of the claimed design. The additional broken lines shown in FIG. 2 depict environment that form no part thereof.

**1 Claim, 10 Drawing Sheets**



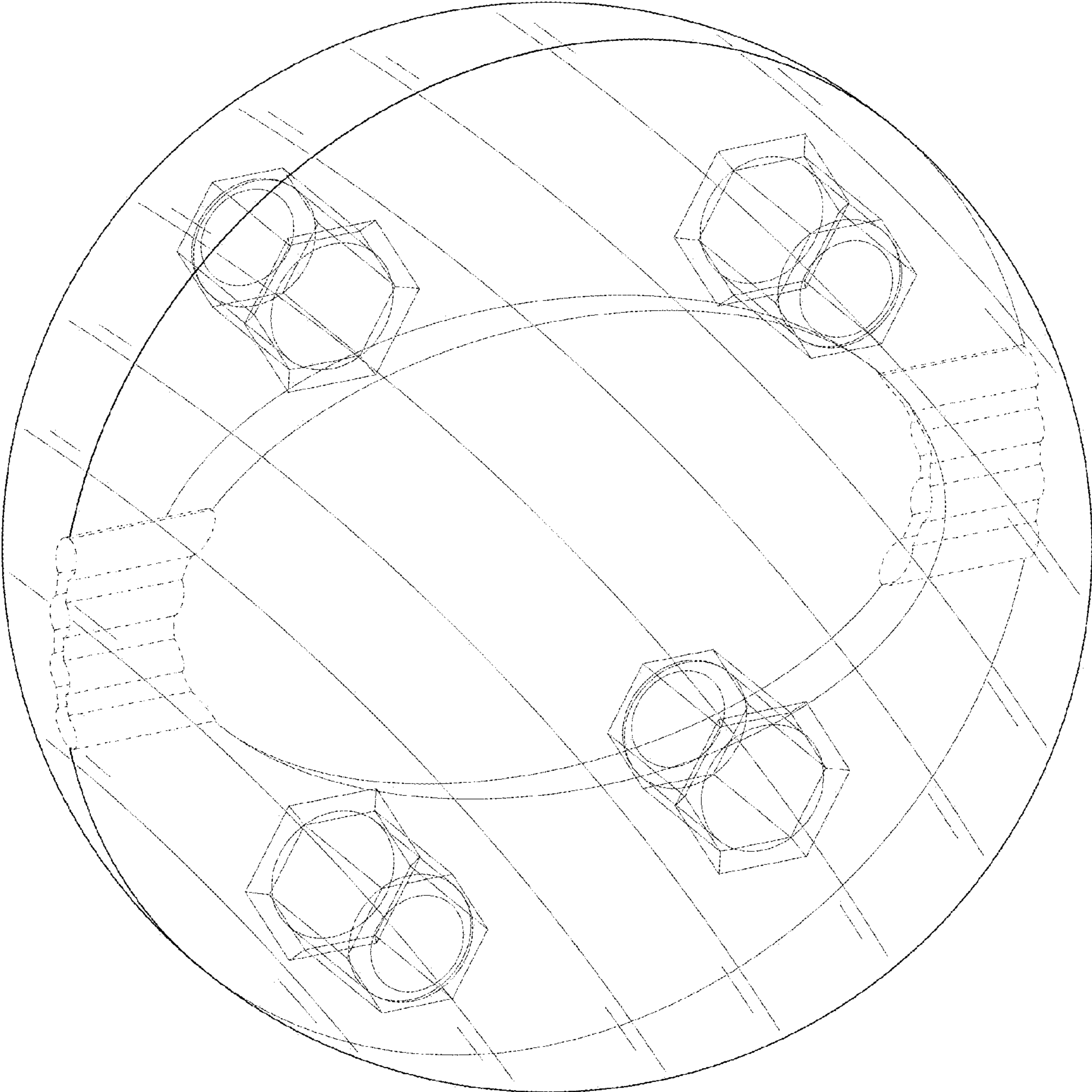


FIG. 1

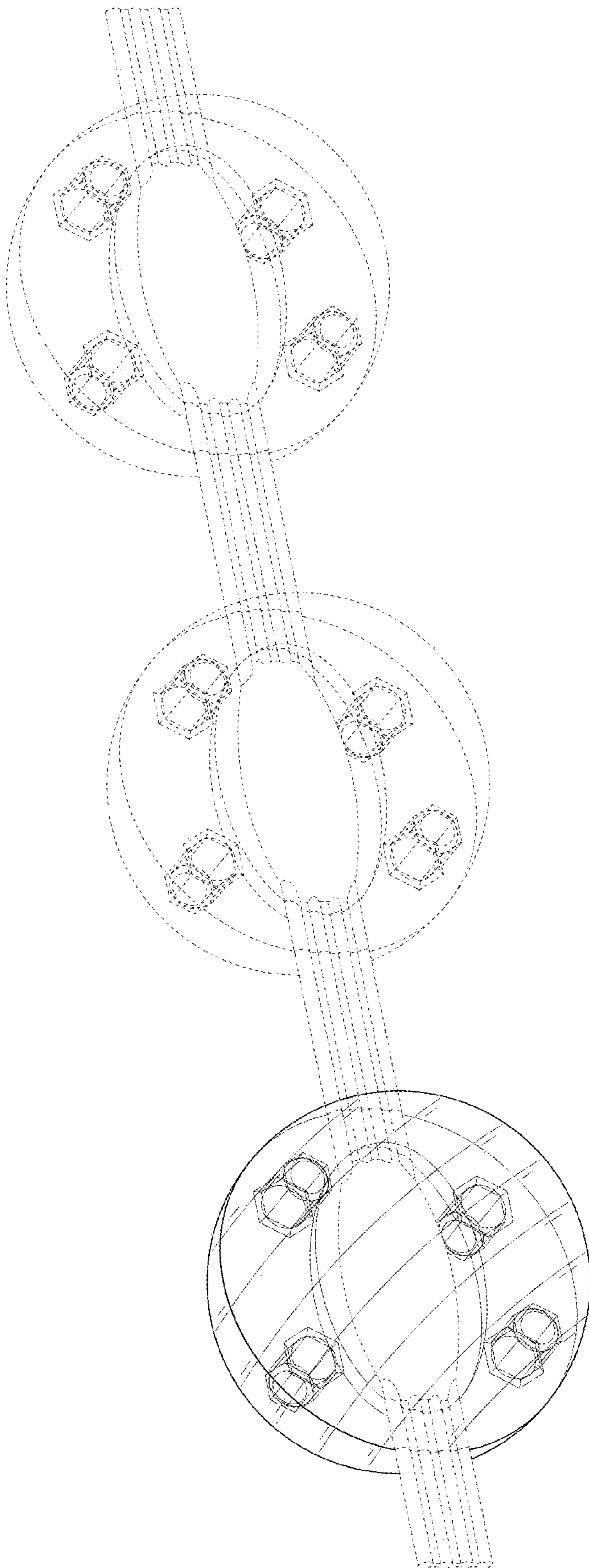


FIG. 2

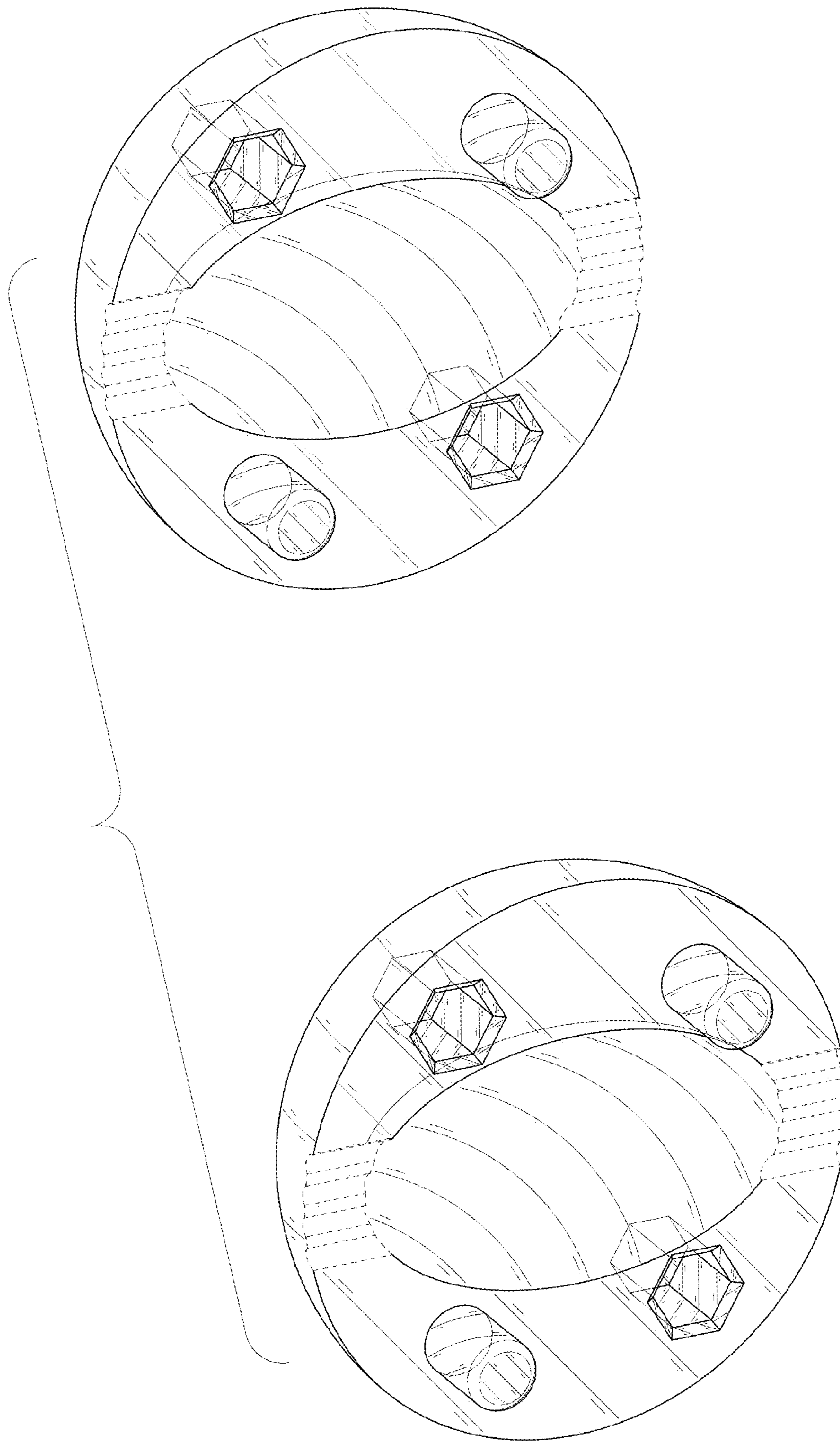


FIG. 3

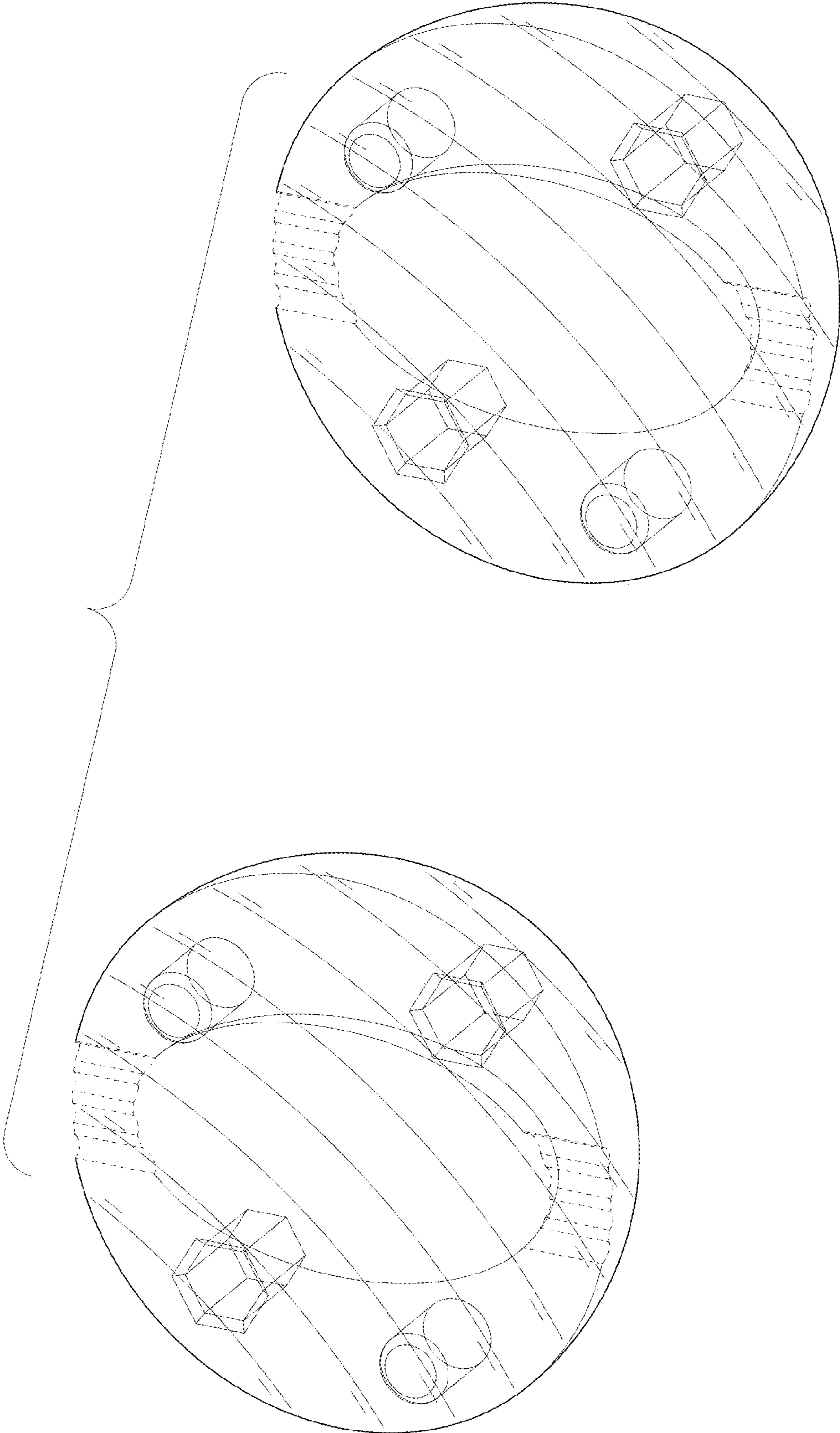


FIG. 4

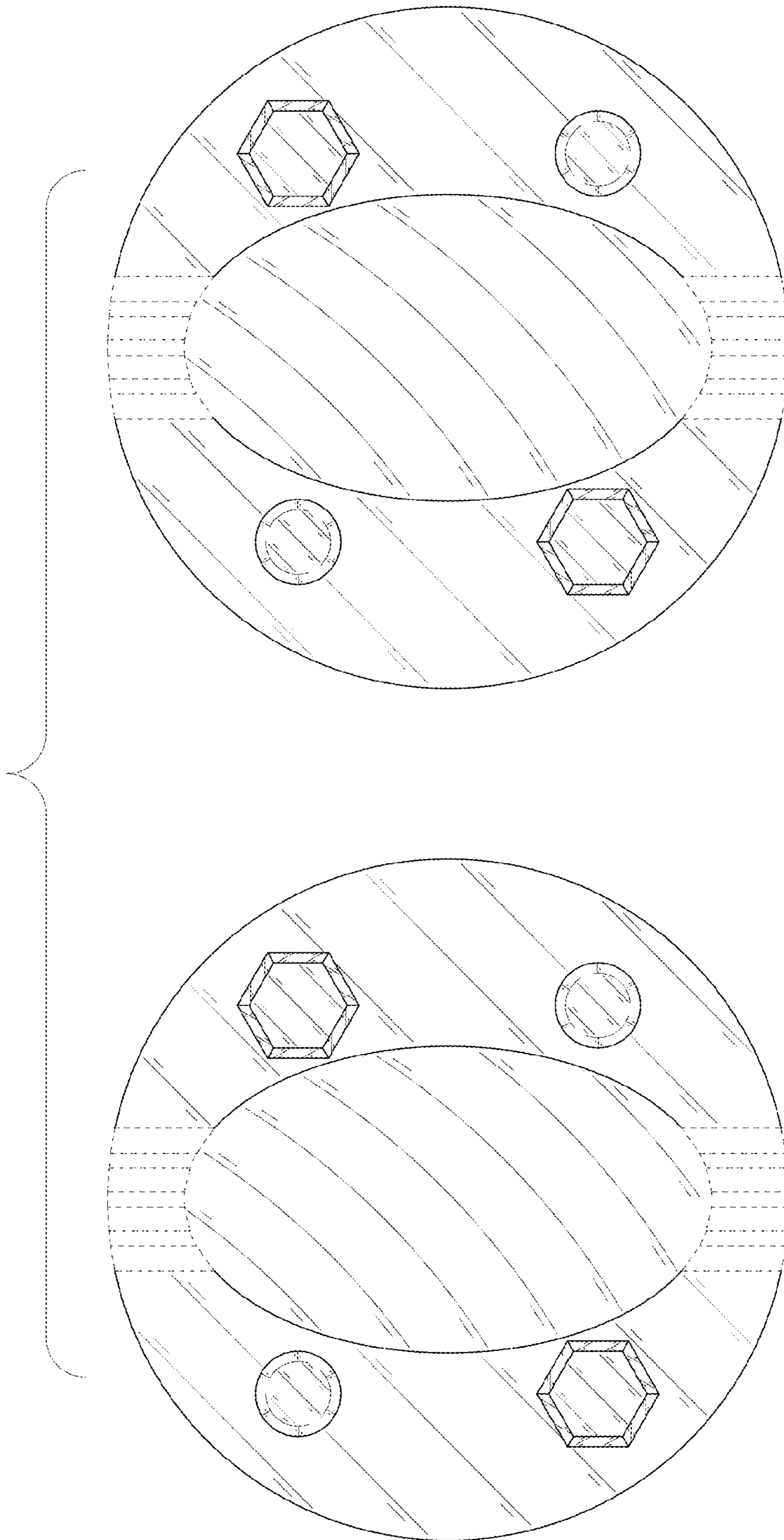


FIG. 5

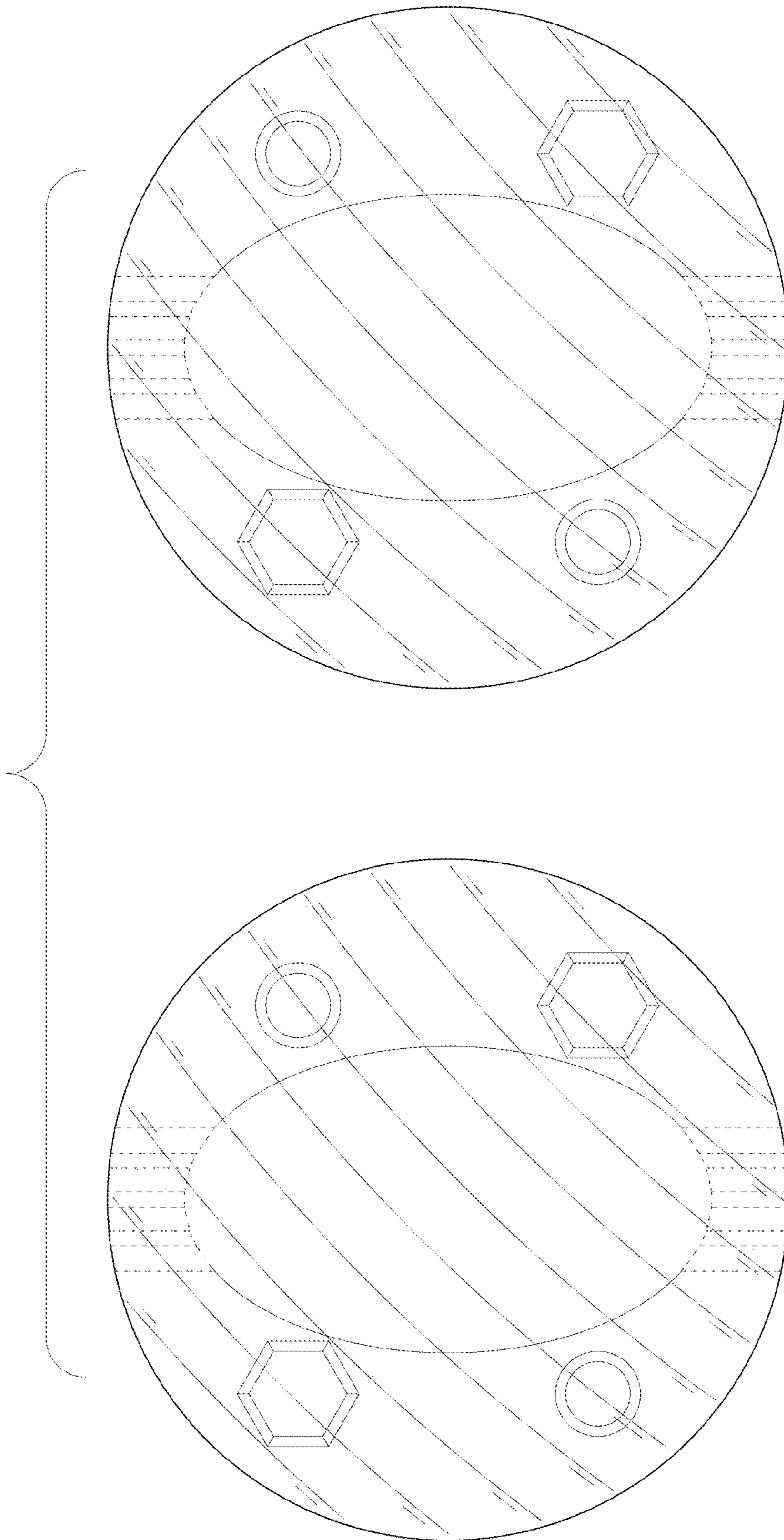


FIG. 6

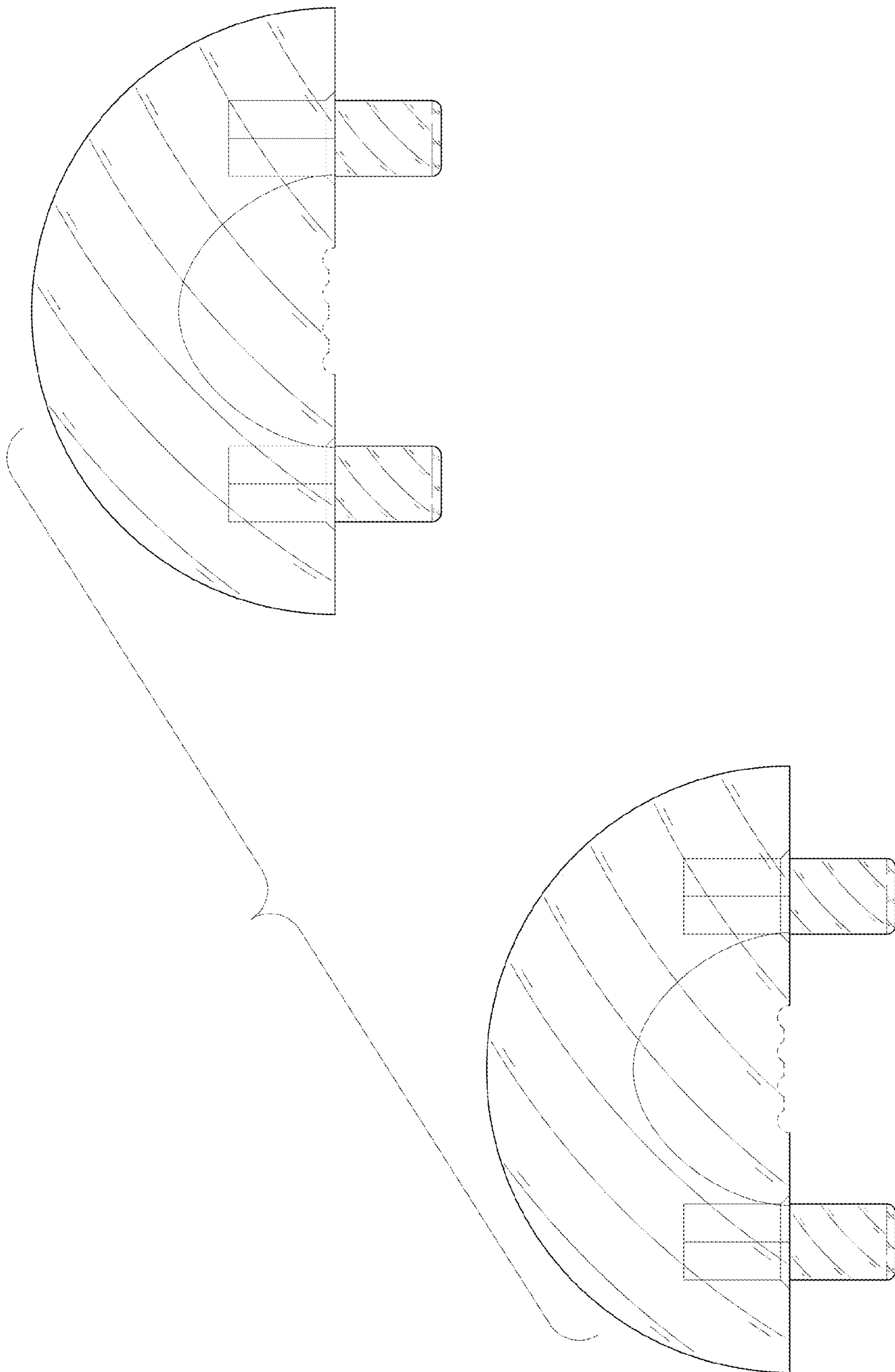


FIG. 7



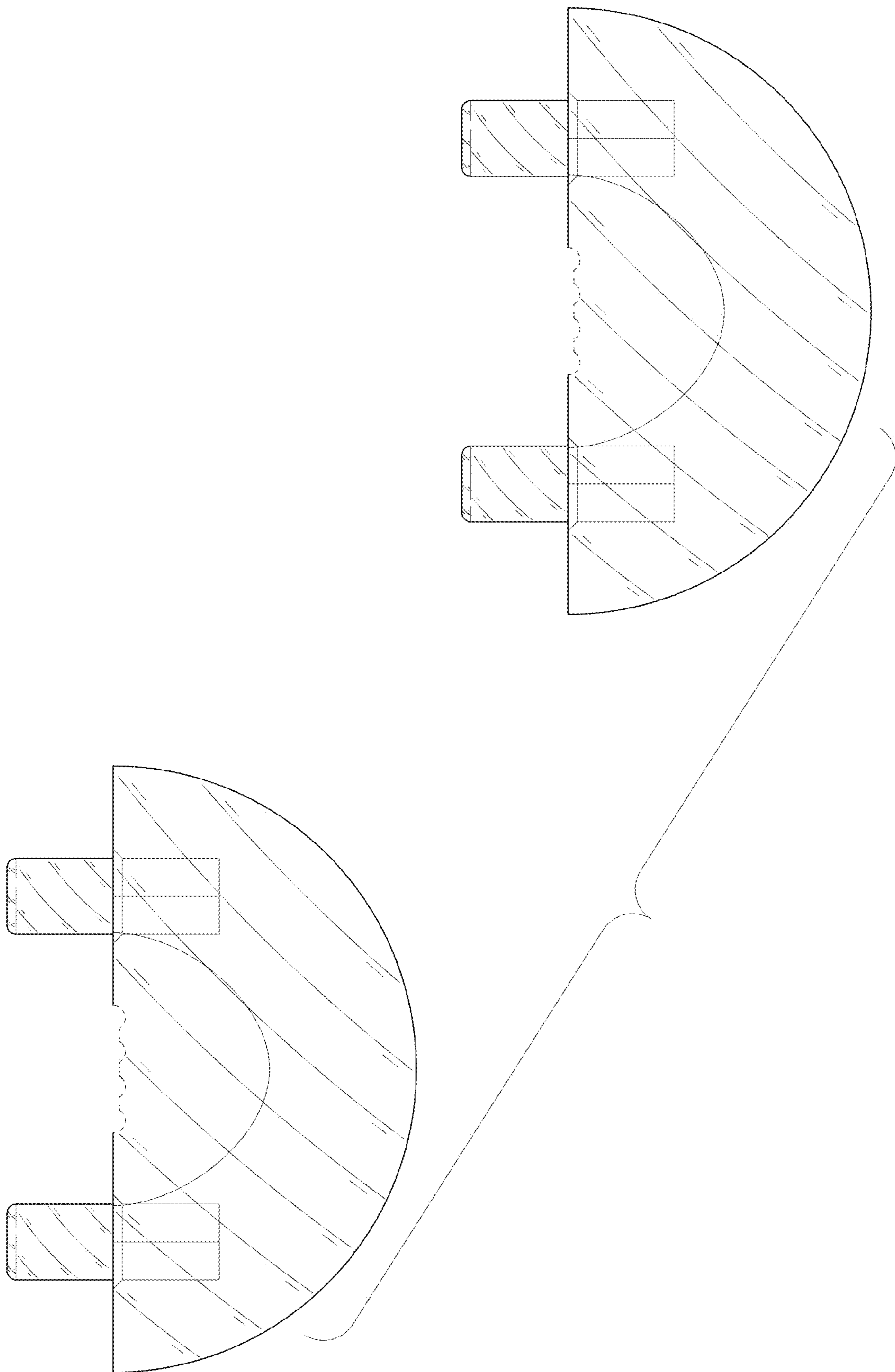


FIG. 8

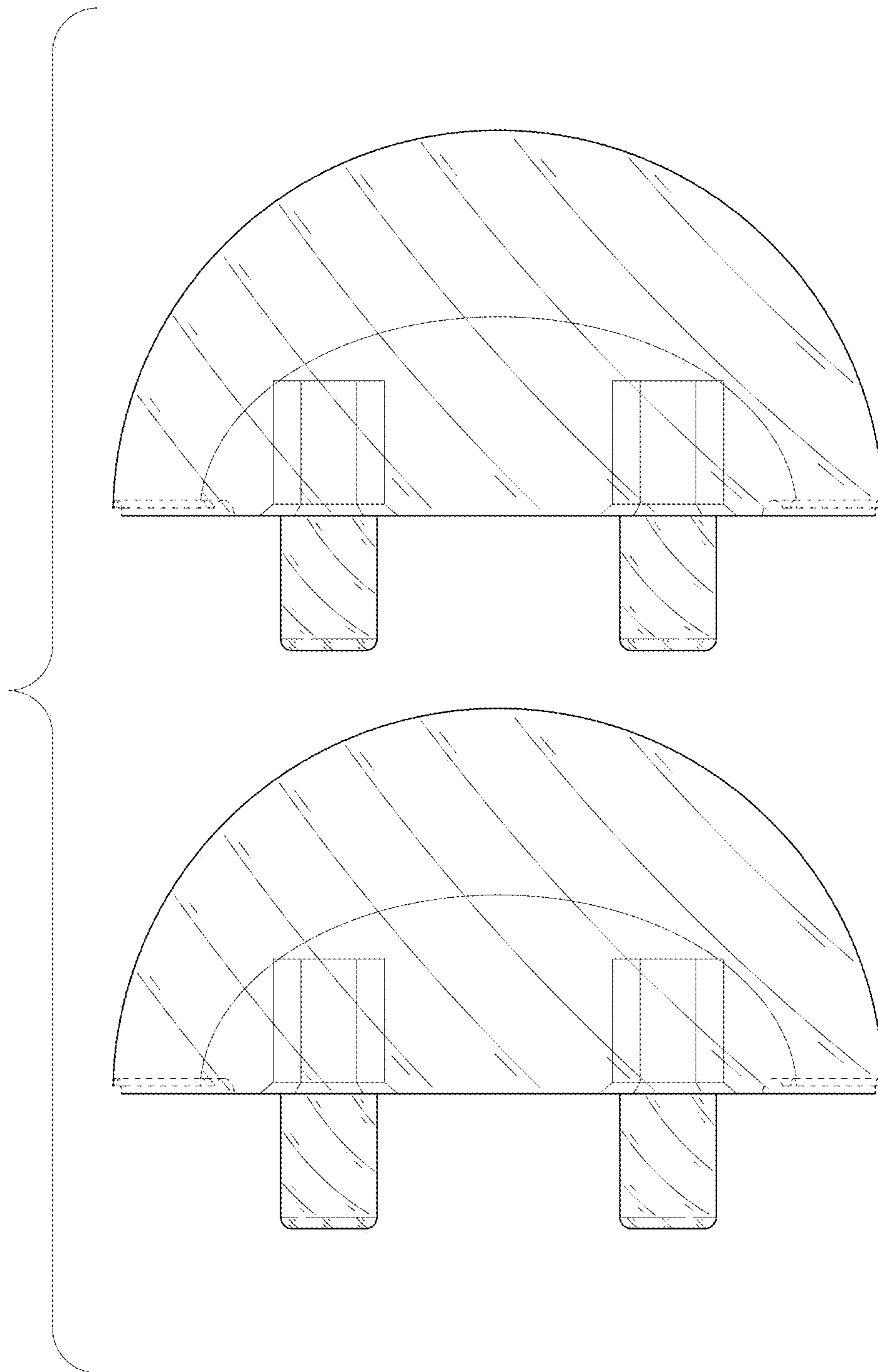


FIG. 9

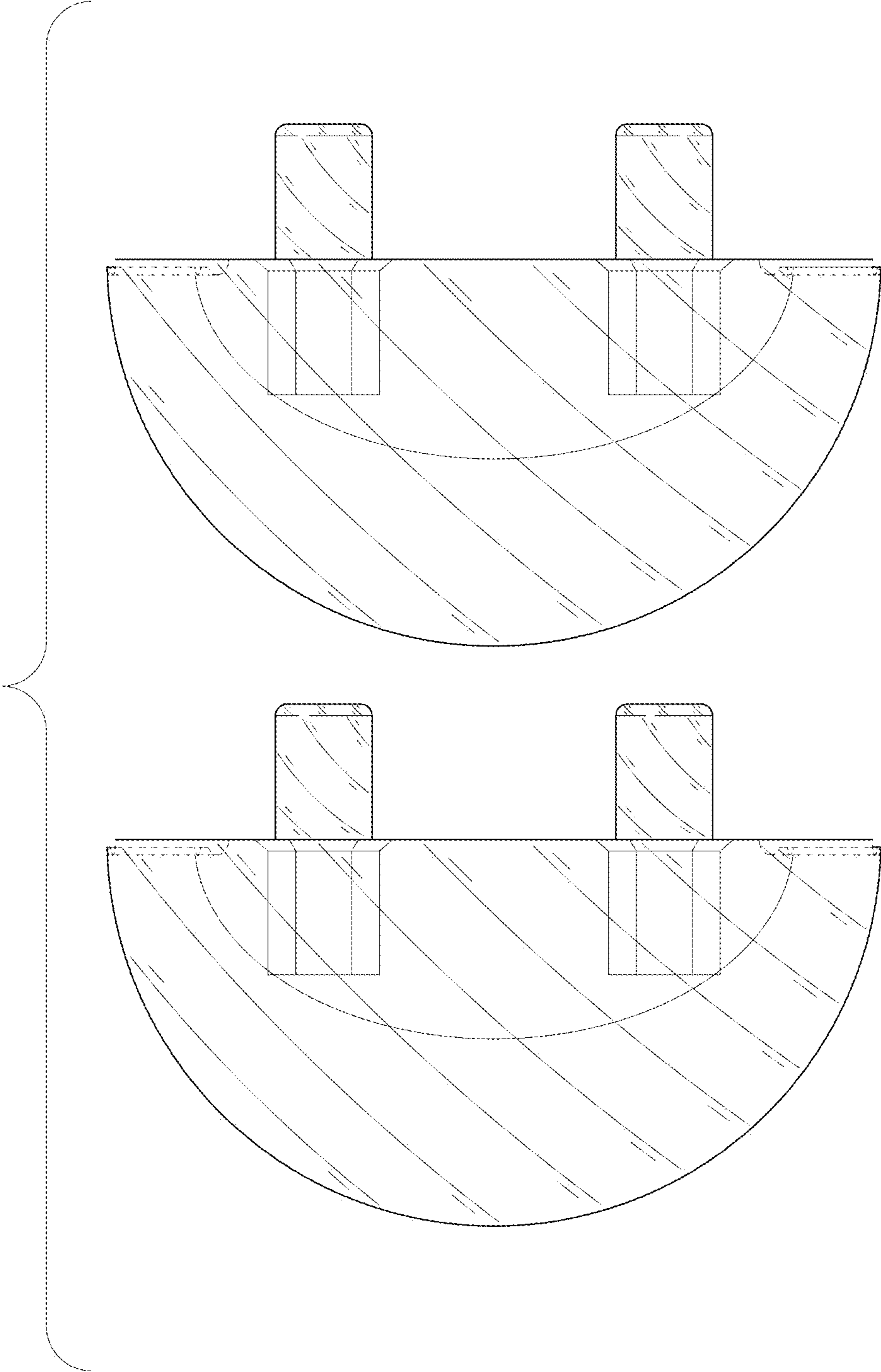


FIG. 10