



US00D984031S

(12) **United States Design Patent**  
**Wang**

(10) **Patent No.:** **US D984,031 S**  
(45) **Date of Patent:** **\*\* Apr. 18, 2023**

(54) **FLOOR LAMP**

(71) Applicant: **YaoMei Wang**, Dongguan (CN)

(72) Inventor: **YaoMei Wang**, Dongguan (CN)

(\*\*) Term: **15 Years**

(21) Appl. No.: **29/869,335**

(22) Filed: **Dec. 29, 2022**

(51) **LOC (14) Cl.** ..... **26-05**

(52) **U.S. Cl.**  
USPC ..... **D26/107; D26/106**

(58) **Field of Classification Search**  
USPC ..... D26/61, 62, 63, 71, 93, 104, 106, 107,  
D26/108, 110

CPC .... F21S 6/00; F21S 6/002; F21S 6/005; F21S  
6/006; F21V 21/06; F21W 2131/103

See application file for complete search history.

(56) **References Cited**

**U.S. PATENT DOCUMENTS**

D469,563 S *	1/2003	Irvine	.....	D26/108
D744,153 S *	11/2015	Hodgson	.....	D26/107
D776,317 S *	1/2017	Li	.....	D26/62
9,719,641 B1 *	8/2017	Volek	.....	F21V 23/02
D822,267 S *	7/2018	Yao	.....	D26/107
D855,871 S *	8/2019	Ma	.....	D26/107
D876,705 S *	2/2020	Tang	.....	D26/107
D876,706 S *	2/2020	Tang	.....	D26/107
D876,707 S *	2/2020	Tang	.....	D26/110
D938,094 S *	12/2021	Wang	.....	D26/106
D943,138 S *	2/2022	Wang	.....	D26/106
D944,442 S *	2/2022	Chen	.....	D26/93
D948,104 S *	4/2022	Gu	.....	D26/107
D959,044 S *	7/2022	Gu	.....	F21S 6/002
				D26/105
D963,926 S *	9/2022	Wang	.....	D26/93
D964,632 S *	9/2022	Lin	.....	D26/93
D967,500 S *	10/2022	Yuan	.....	F21V 23/02
				D26/106

D967,501 S *	10/2022	Luo	.....	D26/93
D967,502 S *	10/2022	Liang	.....	D26/106
D971,482 S	11/2022	Lou		

(Continued)

**OTHER PUBLICATIONS**

RUBN James Floor Lamp, 2014, rubn.com, site visited Jan. 24, 2023, url: <https://rubn.com/product/james-floor/> (Year: 2014).\*

(Continued)

*Primary Examiner* — T Chase Nelson

*Assistant Examiner* — Rachel Wolfe

(57) **CLAIM**

The ornamental design for a floor lamp, as shown, and described.

**DESCRIPTION**

FIG. 1 is a front and top perspective view of a floor lamp, showing my new design;

FIG. 2 is a rear and bottom perspective view thereof;

FIG. 3 is a front elevation view thereof;

FIG. 4 is a rear elevation view thereof;

FIG. 5 is a left side elevation view thereof;

FIG. 6 is a right side elevation view thereof;

FIG. 7 is a top plan view thereof;

FIG. 8 is a bottom plan view thereof;

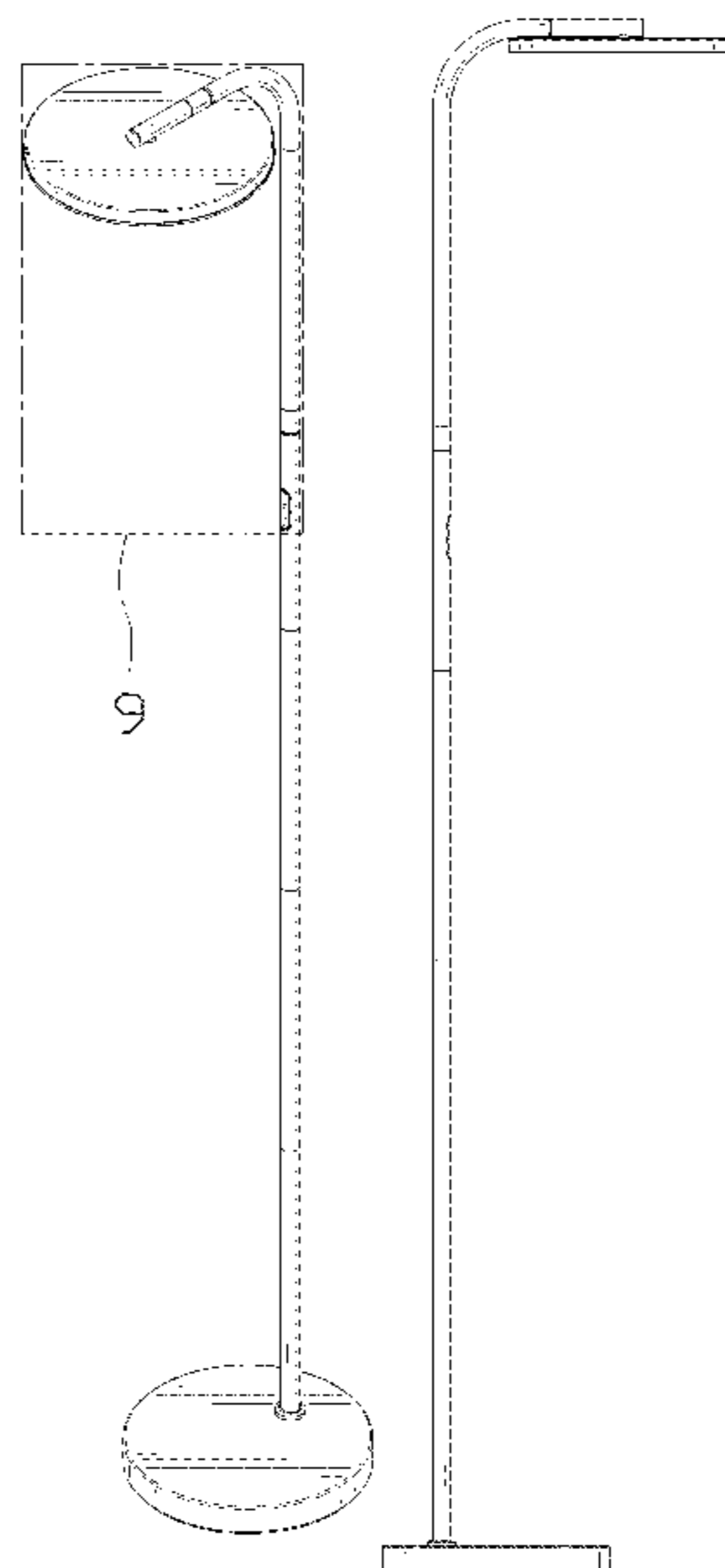
FIG. 9 is an enlarged perspective view of detail "9" identified in FIG. 1;

FIG. 10 is an enlarged perspective view of detail "10" identified in FIG. 2; and,

FIG. 11 is another perspective view thereof, shown in an alternative position.

The dashed lines in the figures illustrate portions of the floor lamp that form no part of the claimed design. The dash dot dash lines in FIGS. 1, 2, 9 and 10 are for the purpose of illustrating the enlarged views indicators and form no part of the claimed design.

**1 Claim, 11 Drawing Sheets**



(56)

**References Cited**

U.S. PATENT DOCUMENTS

D973,259 S \* 12/2022 Wang ..... D26/93  
2019/0390826 A1 \* 12/2019 Yang ..... F21S 6/002

OTHER PUBLICATIONS

Brightech Sky LED Floor lamp, May 18, 2018, Amazon.com, site  
visited Jan. 24, 2023, url: [https://www.amazon.com/dp/B073XN8X7Y/?  
th=1](https://www.amazon.com/dp/B073XN8X7Y/?th=1) (Year: 2018).\*

\* cited by examiner

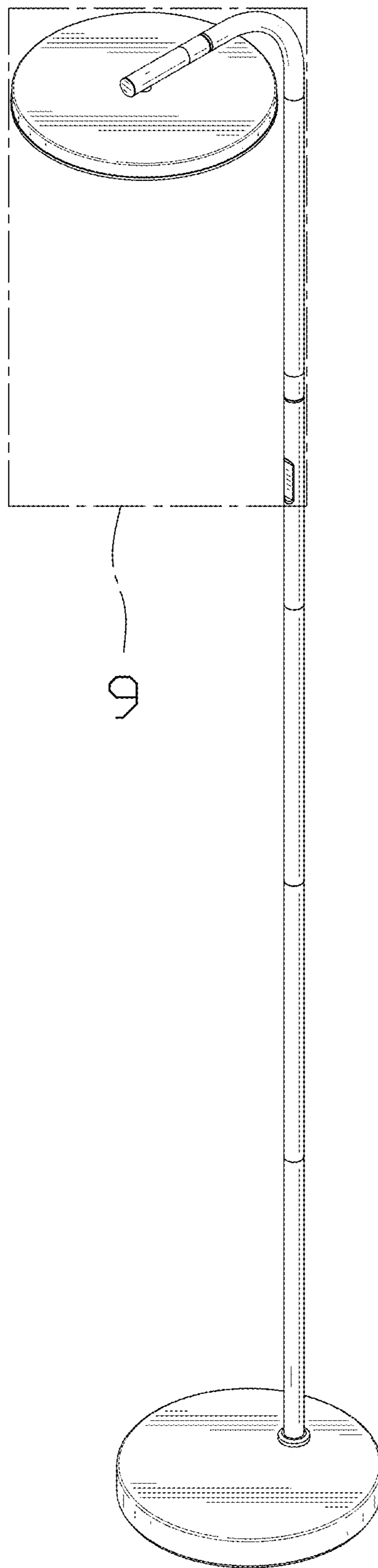


FIG. 1

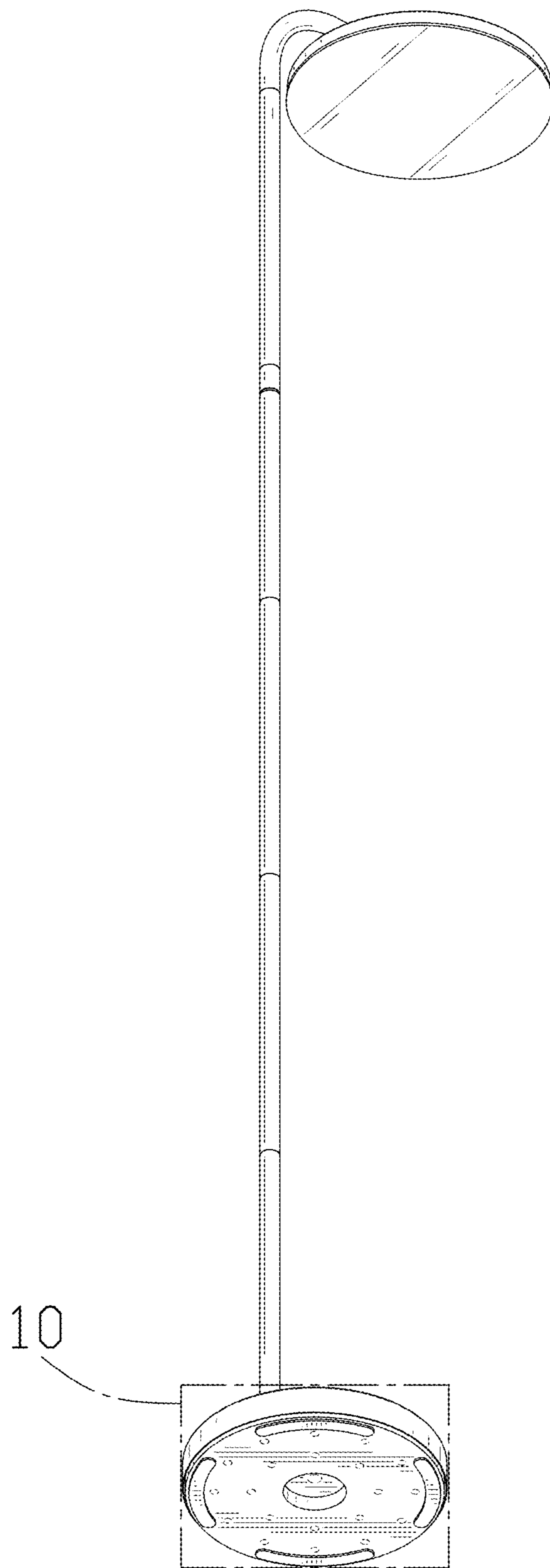


FIG. 2

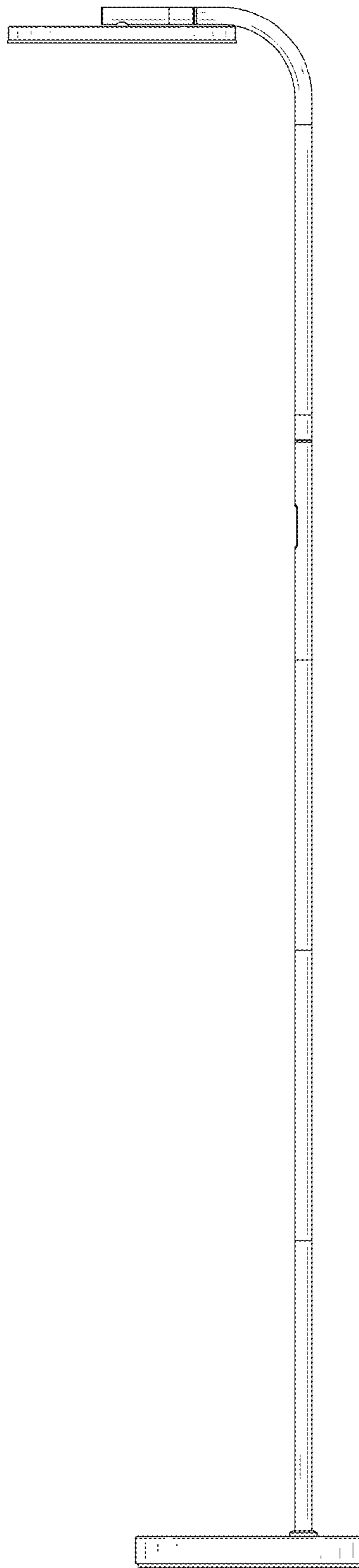


FIG. 3

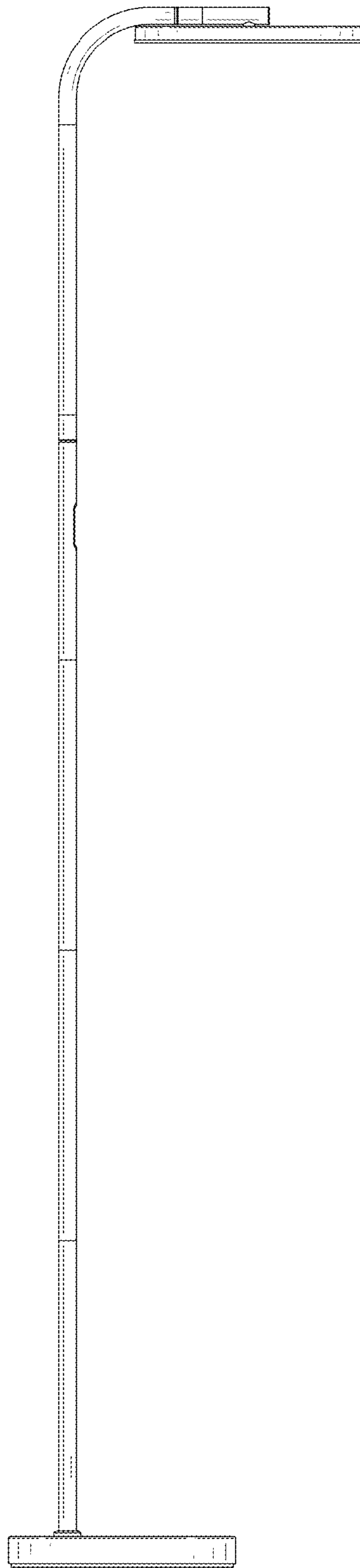


FIG. 4

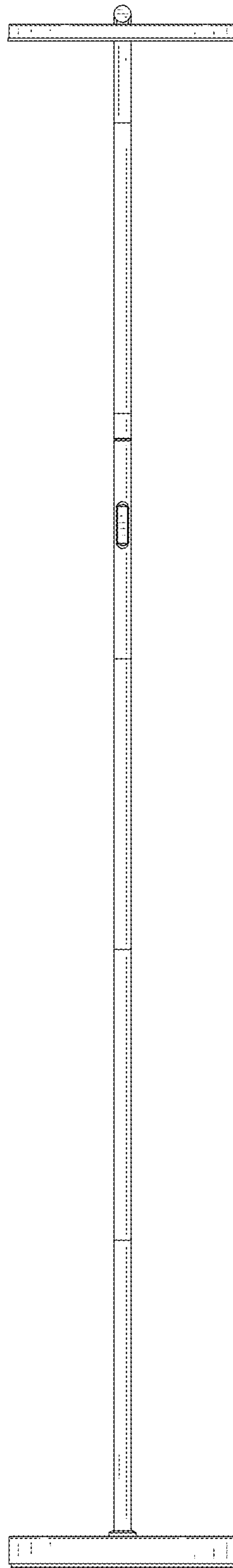


FIG. 5

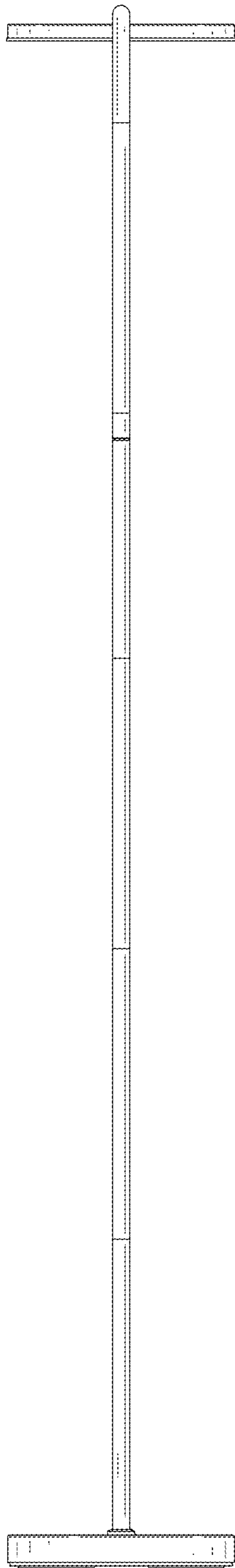


FIG. 6



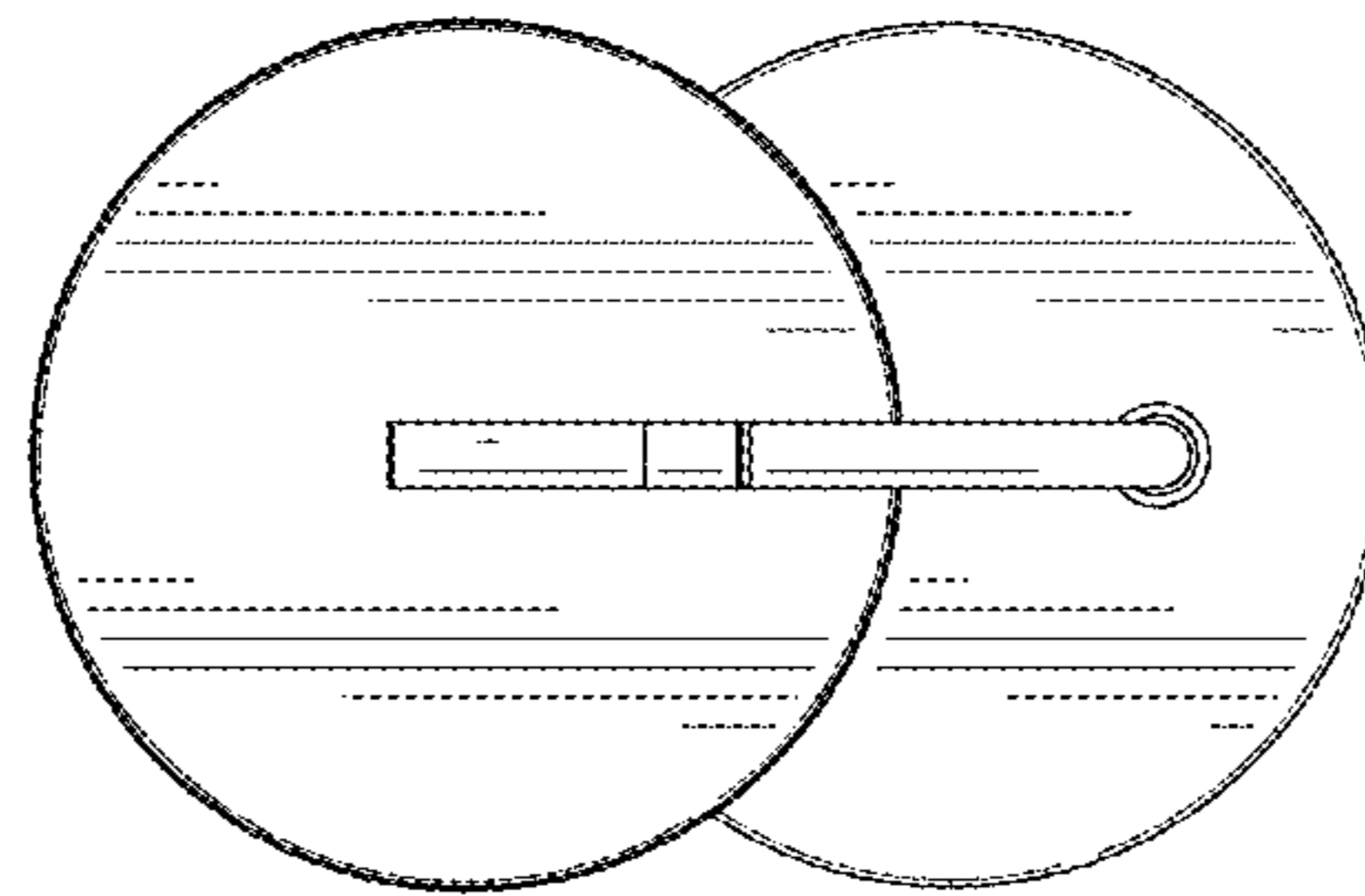


FIG. 7

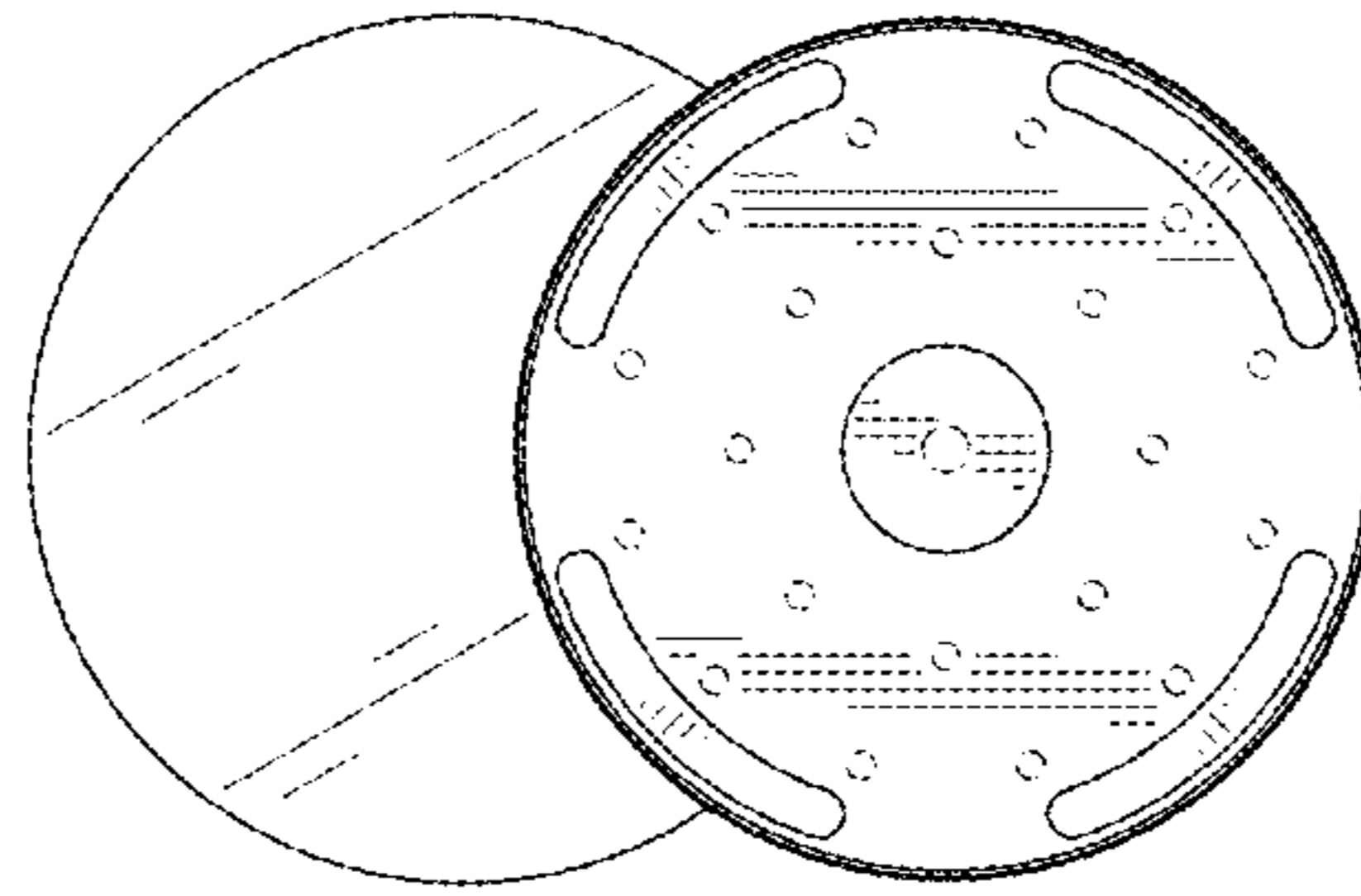


FIG. 8

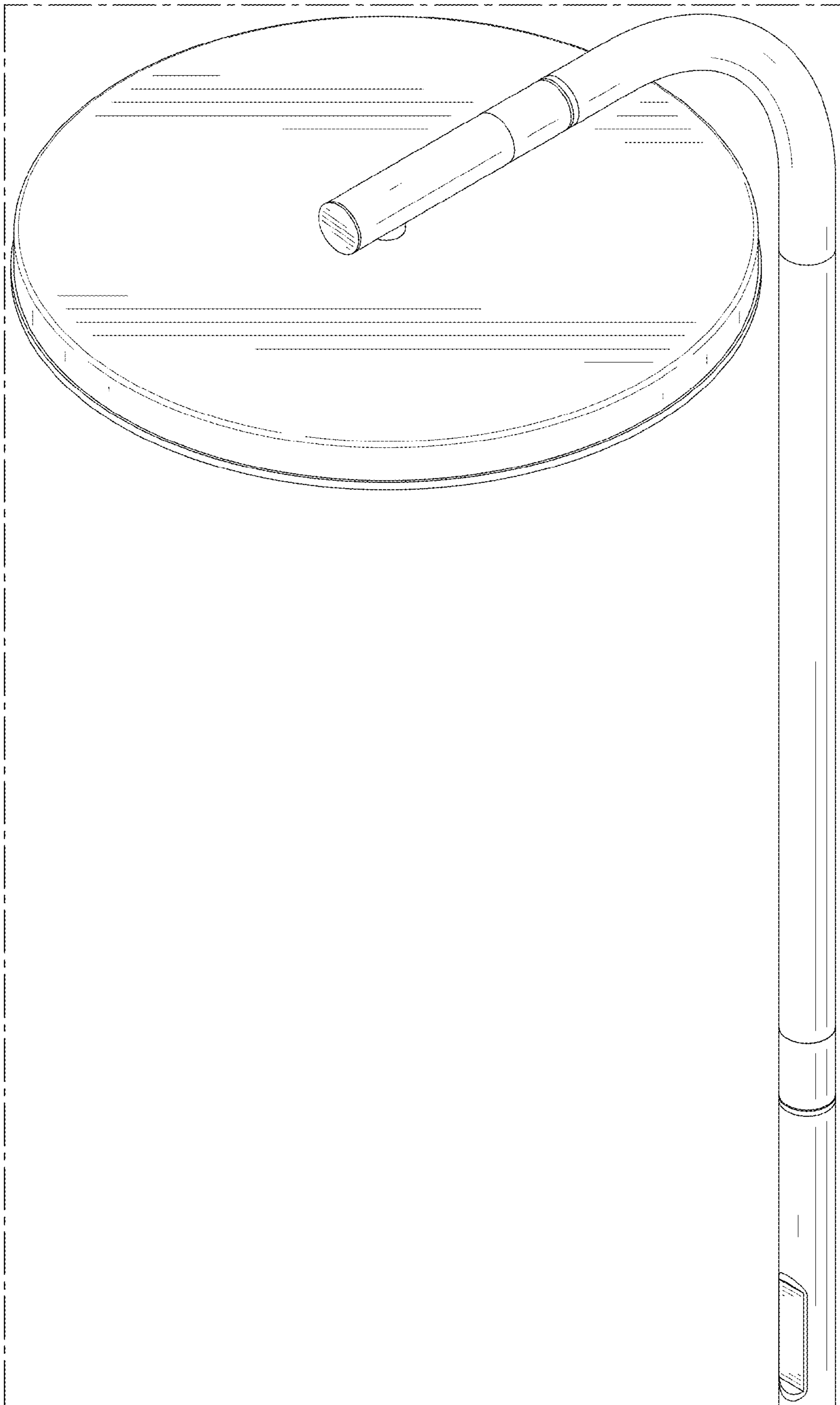


FIG. 9

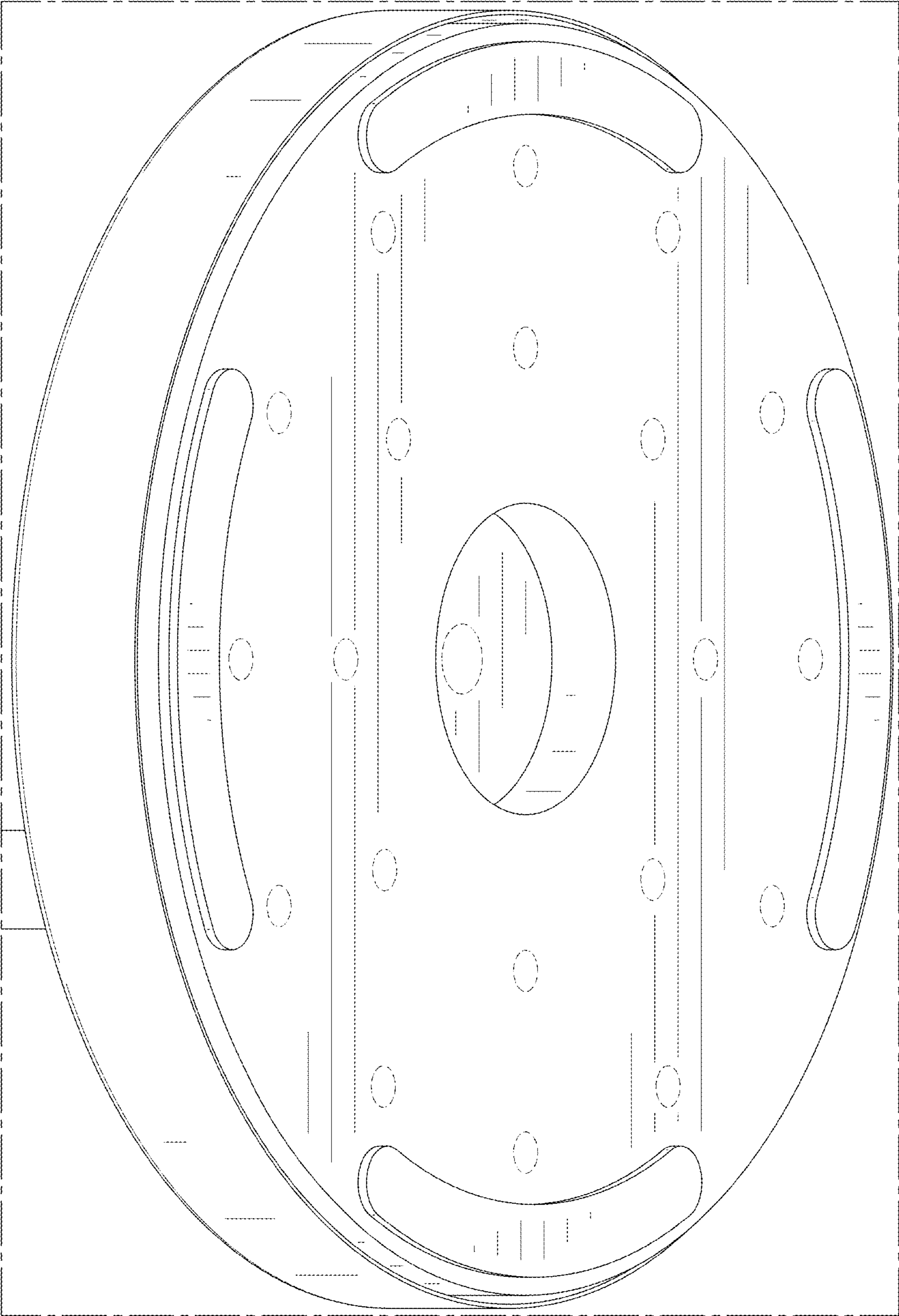


FIG. 10

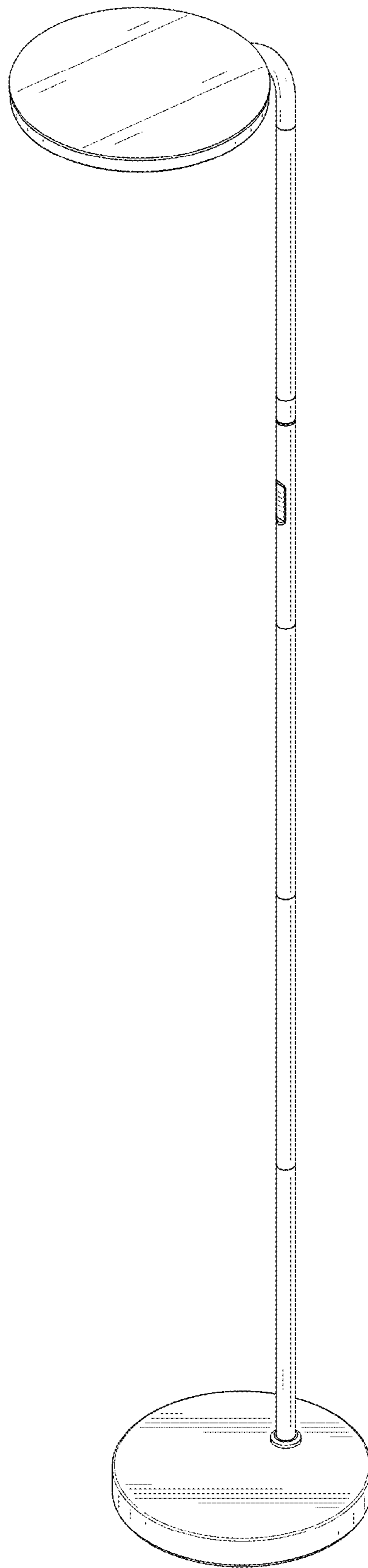


FIG. 11