



US00D984030S

(12) **United States Design Patent** (10) **Patent No.:** **US D984,030 S**  
**Gong et al.** (45) **Date of Patent:** **\*\* Apr. 18, 2023**

(54) **DESK LAMP**

D903,931 S \* 12/2020 Guan ..... D26/110  
D932,088 S \* 9/2021 Zhang ..... D26/110  
D935,087 S \* 11/2021 Chen ..... D26/104

(71) Applicant: **Shenzhen Intellirocks Tech Co., Ltd.**,  
Shenzhen (CN)

(Continued)

(72) Inventors: **Cheng Gong**, Shenzhen (CN);  
**Wenlong Wu**, Shenzhen (CN)

FOREIGN PATENT DOCUMENTS

CN 303712999 \* 6/2016  
CN 304839070 \* 10/2018

(Continued)

(73) Assignee: **Shenzhen Intellirocks Tech. Co., Ltd.**,  
Shenzhen (CN)

OTHER PUBLICATIONS

(\*\*) Term: **15 Years**

Govee Aura table lamp, available in <https://www.youtube.com/>,  
posted: Dec. 15, 2020 [online], [site visited Aug. 8, 2022], Internet  
URL: <https://www.youtube.com/watch?v=Ozut4S133E0> (Year: 2020).\*

(Continued)

(21) Appl. No.: **29/767,372**

(22) Filed: **Jan. 22, 2021**

(51) **LOC (14) Cl.** ..... **26-05**

(52) **U.S. Cl.**

USPC ..... **D26/104**

(58) **Field of Classification Search**

USPC ... D26/7, 10, 24, 26, 40, 47, 61, 93, 94, 98,  
D26/104, 106, 110, 120, 123, 124, 128,  
D26/135, 137; D14/172, 188, 496, 509,  
D14/171; D10/104.1, 106.5, 114.2,  
D10/114.5, 114.6, 114.8, 5; D23/366

CPC .... F21S 6/00; F21S 6/002; F21S 6/003; F21S  
8/00; F21S 8/035; F21S 9/00; F21S 9/02;  
F21S 9/022

See application file for complete search history.

*Primary Examiner* — Sheryl Lane

*Assistant Examiner* — Alex T. Milbrath

(74) *Attorney, Agent, or Firm* — ScienBiziP, P.C.

(57)

**CLAIM**

The ornamental design for a desk lamp, as shown and  
described.

**DESCRIPTION**

FIG. 1 is a front view of a desk lamp, showing our new  
design;

FIG. 2 is a back view thereof;

FIG. 3 is a left side view thereof;

FIG. 4 is a right side view thereof;

FIG. 5 is a top view thereof;

FIG. 6 is a bottom view thereof;

FIG. 7 is a front perspective view thereof; and,

FIG. 8 is a bottom perspective view thereof.

The broken lines are included for the purpose of illustrating  
portions of the desk lamp that form no part of the claim  
design.

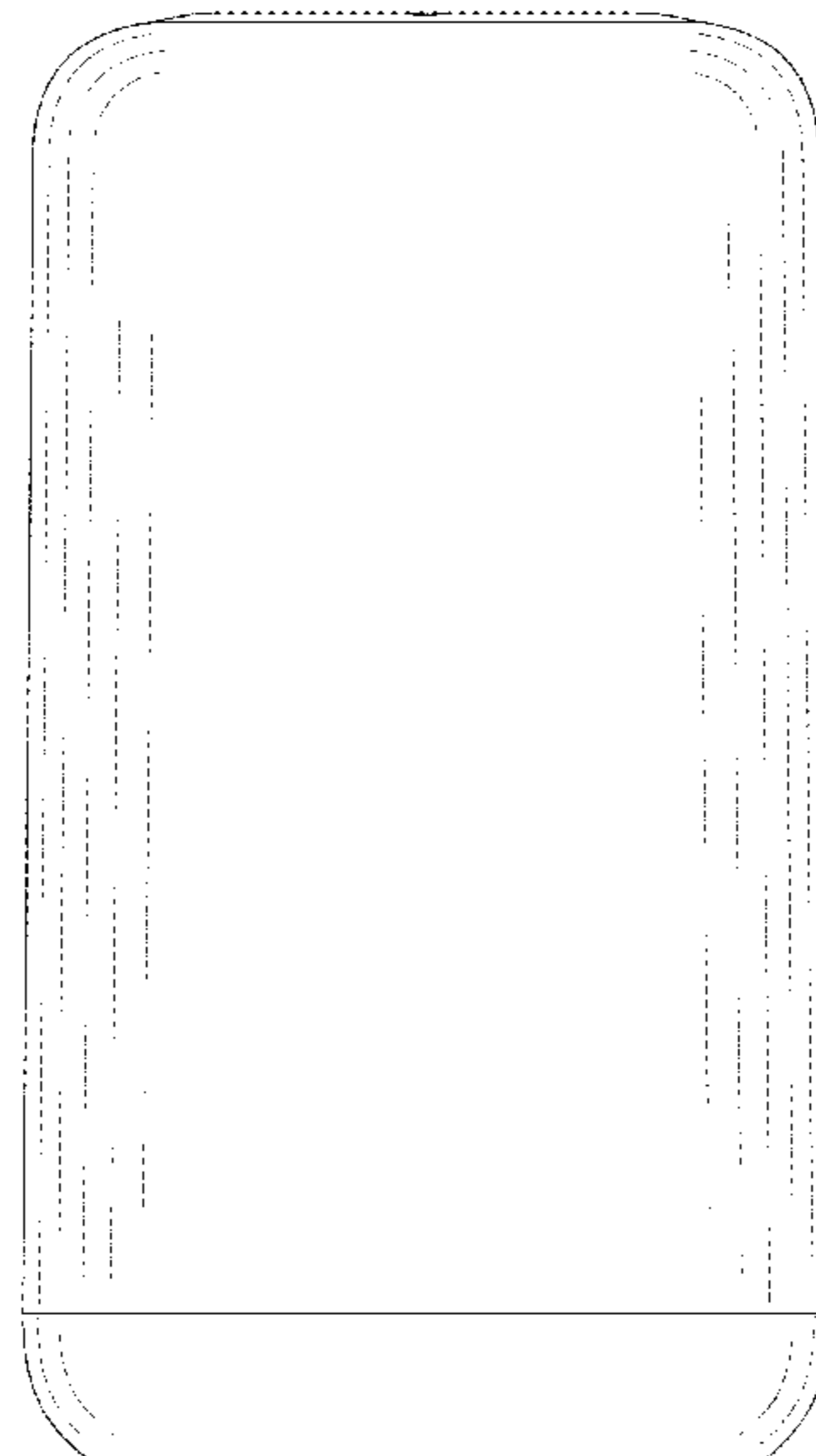
(56)

**References Cited**

U.S. PATENT DOCUMENTS

D796,725 S \* 9/2017 Recker ..... D26/104  
D814,540 S \* 4/2018 Xu ..... D15/199  
D823,826 S \* 7/2018 Evans ..... D14/159  
D836,606 S \* 12/2018 Kangasmaa ..... D14/216  
D838,825 S \* 1/2019 Sullivan ..... D23/366  
D845,276 S \* 4/2019 Huang ..... D14/216  
D850,596 S \* 6/2019 Wu ..... D23/366  
D885,640 S \* 5/2020 Civelekoglu ..... D26/104  
D892,288 S \* 8/2020 Baillie ..... D23/356

**1 Claim, 8 Drawing Sheets**



(56)

**References Cited**

U.S. PATENT DOCUMENTS

D955,628 S \* 6/2022 Yang ..... D26/104

FOREIGN PATENT DOCUMENTS

CN 306184335 \* 11/2020  
CN 306323832 \* 2/2021

OTHER PUBLICATIONS

Meross Smart WiFi Table Lamp, available in <https://www.amazon.com/>, posted: Jul. 8, 2020 [online], [site visited Aug. 8, 2022], Internet URL: [https://www.amazon.com/dp/B08CKGXVL3/ref=sspa\\_dk\\_detail\\_6?pf\\_rd\\_p=3be1c5b9-5b41-4830-a902-fa8556c19eb5&pf\\_rd\\_r=QWR477TQZ1P4TG%E2%80%A6](https://www.amazon.com/dp/B08CKGXVL3/ref=sspa_dk_detail_6?pf_rd_p=3be1c5b9-5b41-4830-a902-fa8556c19eb5&pf_rd_r=QWR477TQZ1P4TG%E2%80%A6) (Year: 2020).\*

Amercot Smart Table Lamp, available in <https://www.amazon.com/>, posted: Mar. 30, 2022 [online], [site visited Sep. 26, 2022], Internet URL: [https://www.amazon.com/dp/B09Q8T6TMF/ref=sspa\\_dk\\_detail\\_4?psc=1&pf\\_rd\\_p=bff6e147-54ad-4be3-b4ea-ec19ea6167f7&pf\\_rd\\_r=A1ME7KB3P5%E2%80%A6](https://www.amazon.com/dp/B09Q8T6TMF/ref=sspa_dk_detail_4?psc=1&pf_rd_p=bff6e147-54ad-4be3-b4ea-ec19ea6167f7&pf_rd_r=A1ME7KB3P5%E2%80%A6) (Year: 2022).\*

Vicsoon Touch Wake Up Night Light with Alarm Clock, available in <https://www.amazon.com/>, posted: Mar. 12, 2021 [online], [site visited Aug. 8, 2022], Internet URL: [https://www.amazon.com/dp/B08YY5QQPV/ref=sspa\\_dk\\_detail\\_7?psc=1&pd\\_rd\\_i=B08YY5QQPV&pd\\_rd\\_w=K0qmh&content-id=amzn1.sym.3be1c%E2%80%A6](https://www.amazon.com/dp/B08YY5QQPV/ref=sspa_dk_detail_7?psc=1&pd_rd_i=B08YY5QQPV&pd_rd_w=K0qmh&content-id=amzn1.sym.3be1c%E2%80%A6) (Year: 2021).\*

\* cited by examiner

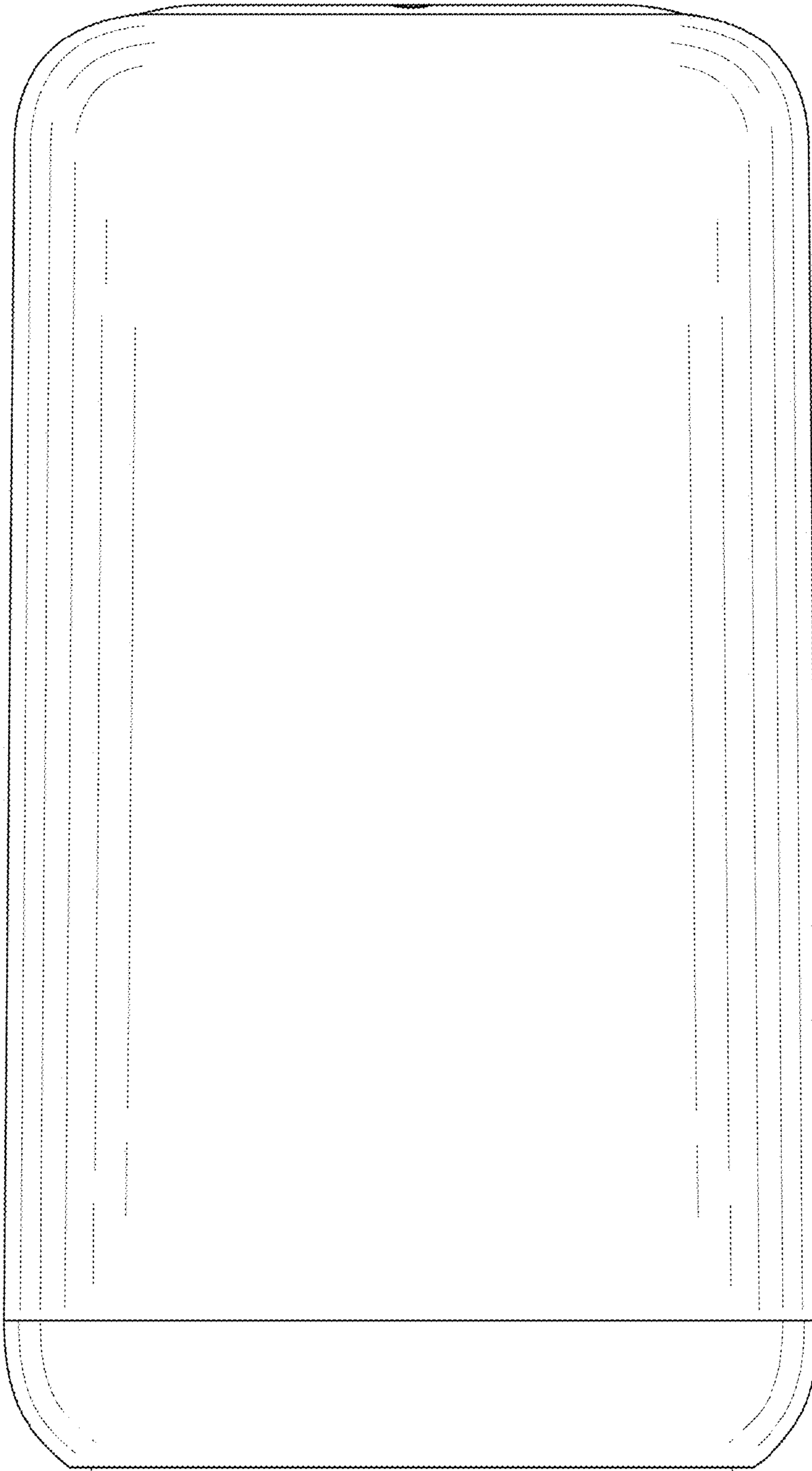


FIG. 1

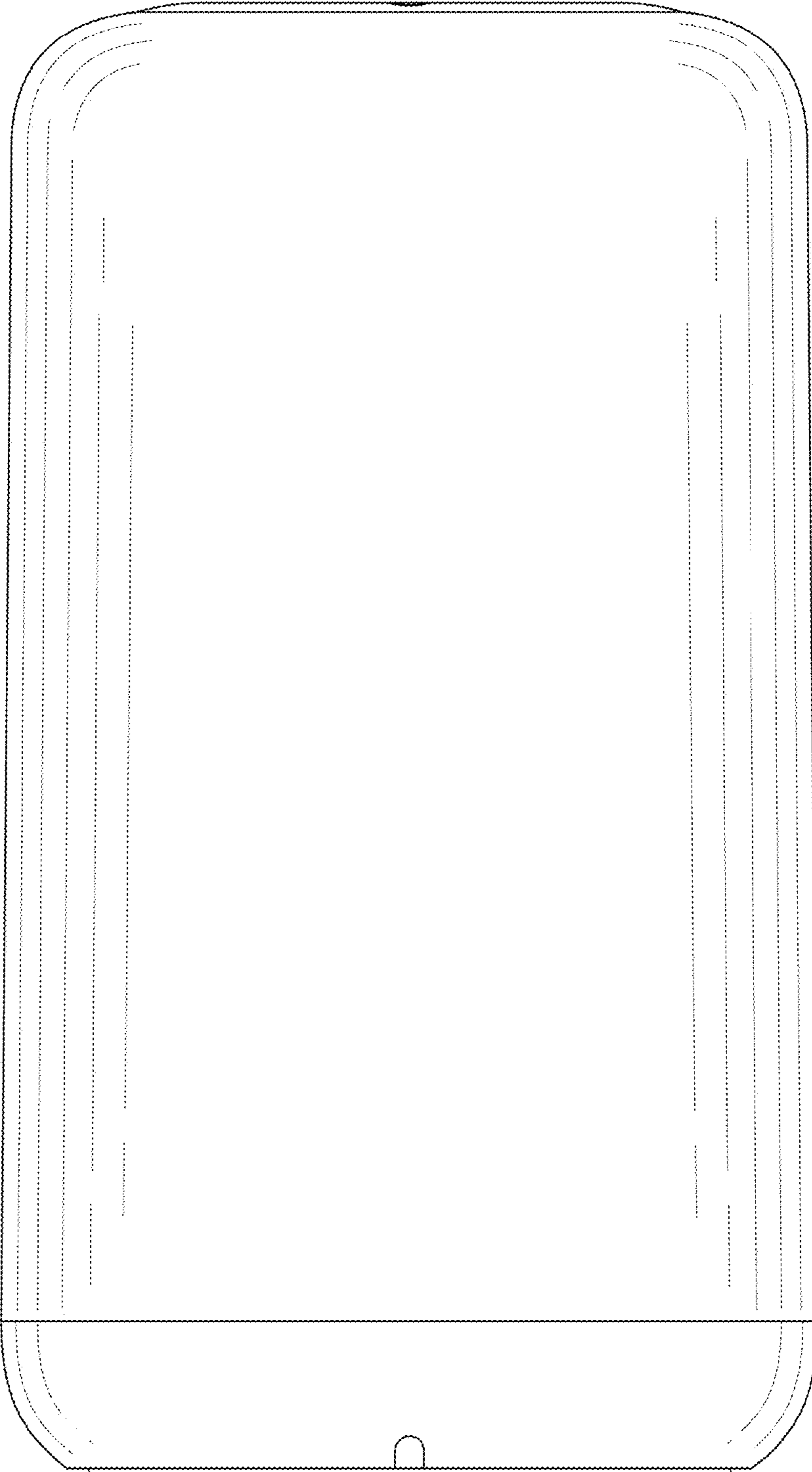


FIG. 2

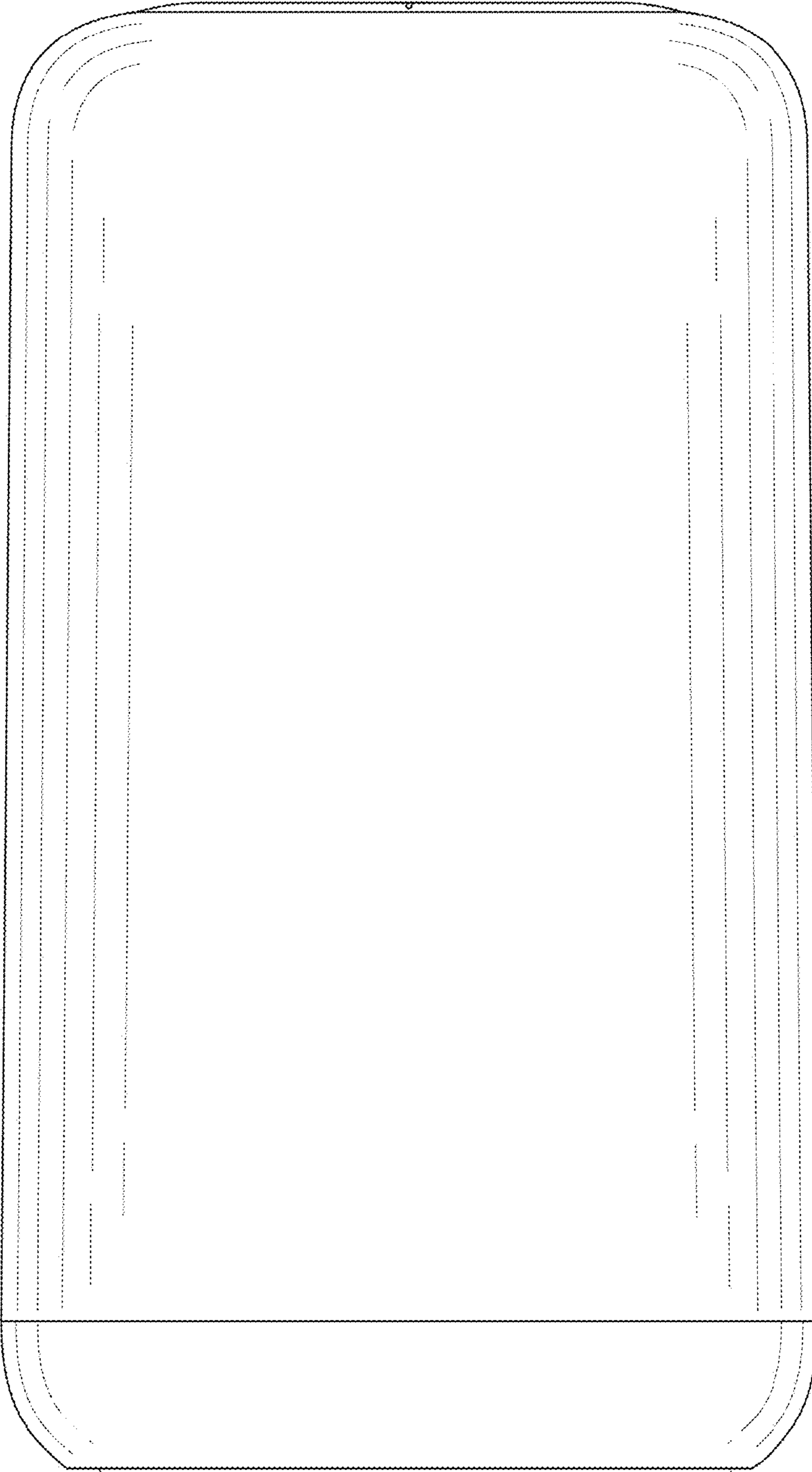


FIG. 3

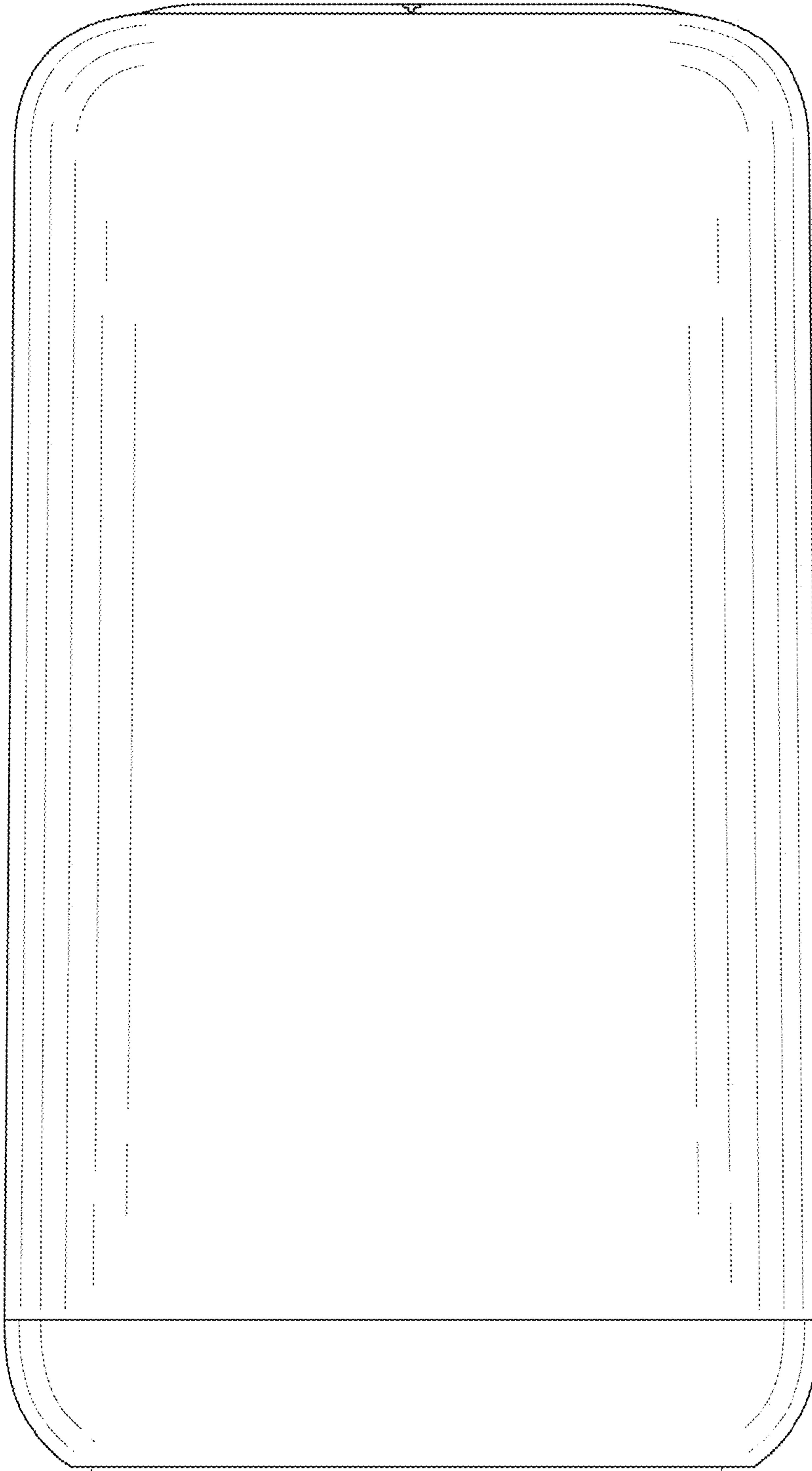


FIG. 4



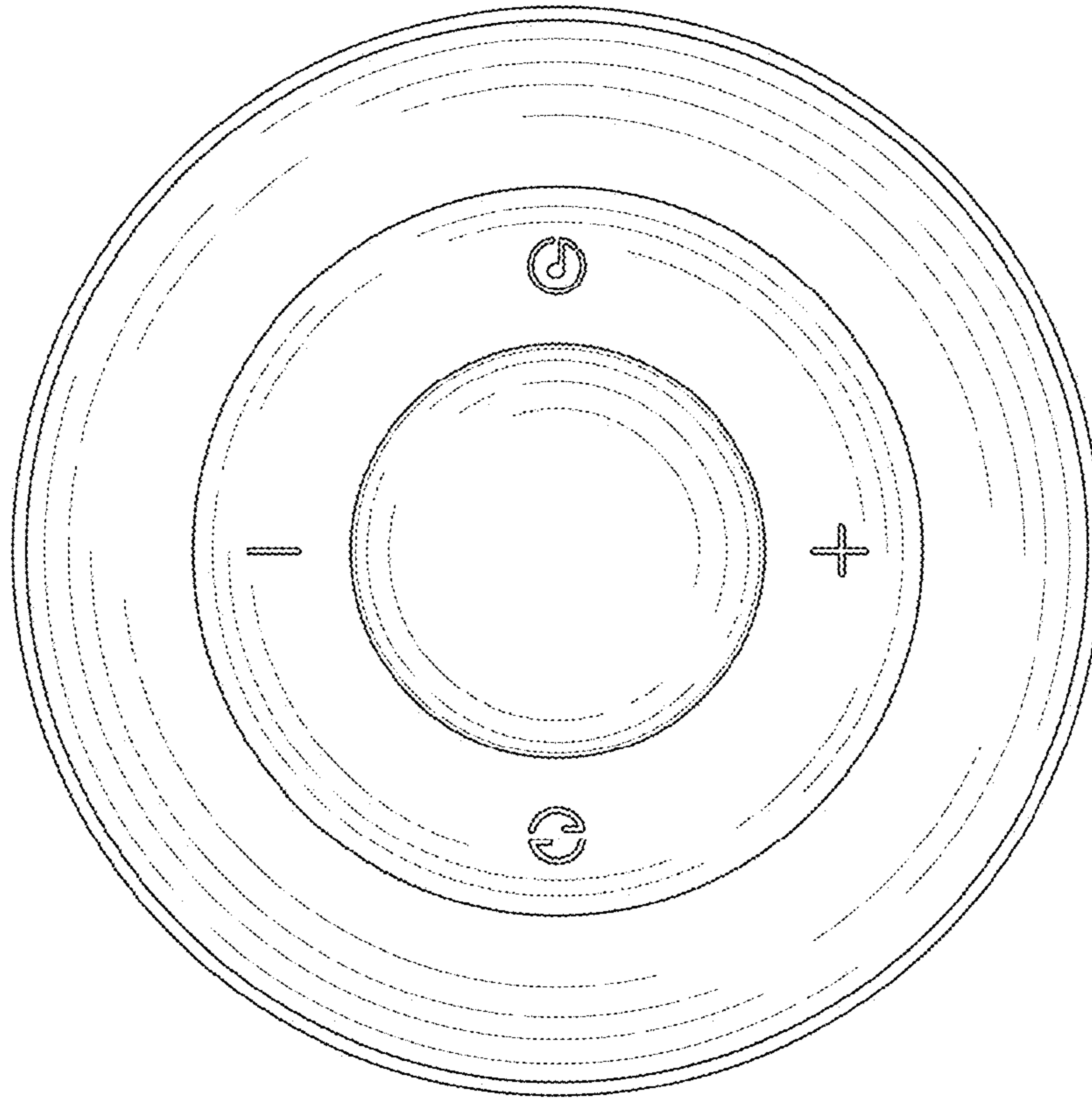


FIG. 5

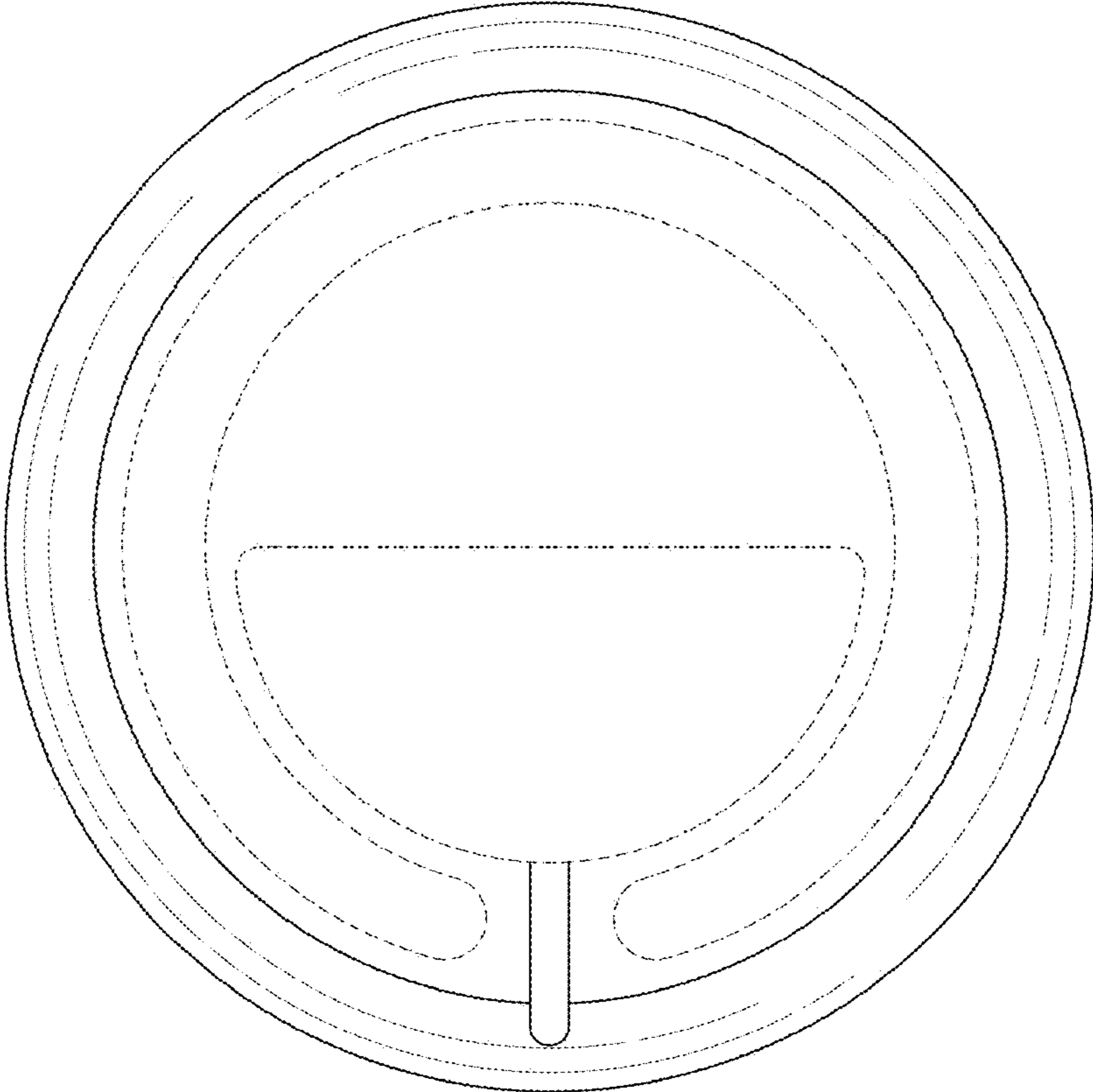


FIG. 6



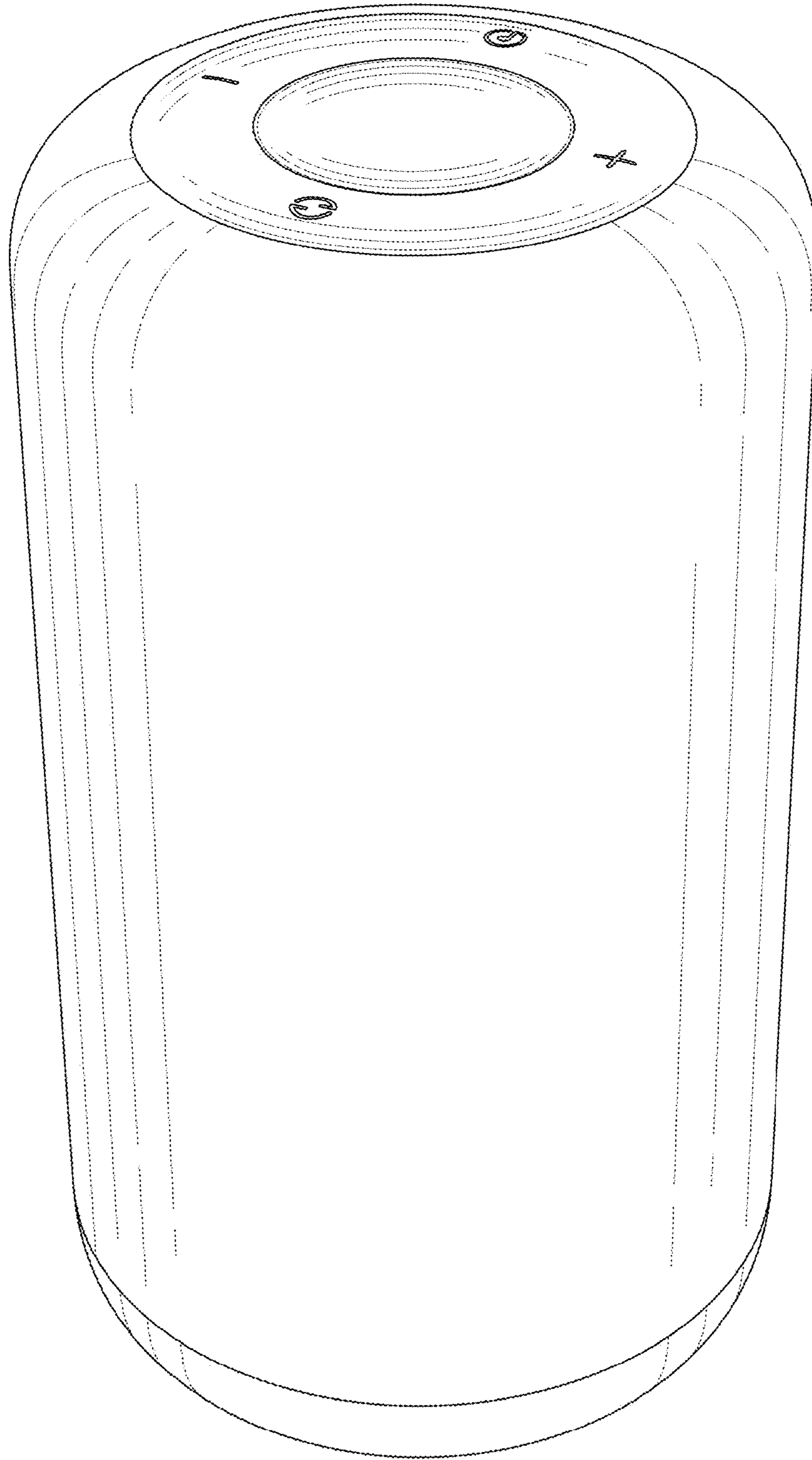


FIG. 7

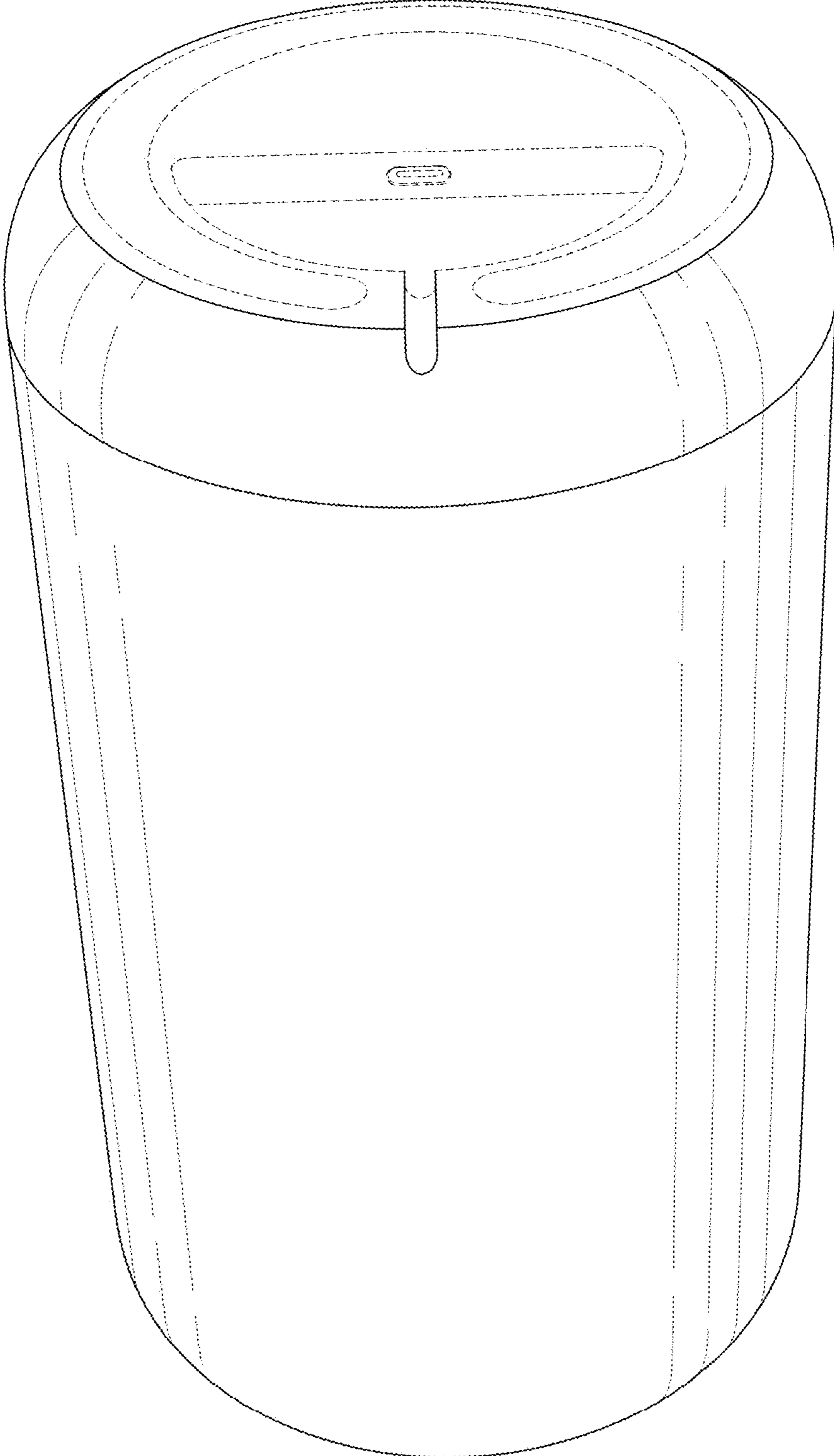


FIG. 8