



US00D984029S

(12) **United States Design Patent**  
**Takahashi et al.**

(10) **Patent No.:** **US D984,029 S**  
(45) **Date of Patent:** **\*\* Apr. 18, 2023**

(54) **LIGHT FIXTURE**

(71) Applicant: **MAKITA CORPORATION**, Anjo (JP)

(72) Inventors: **Koji Takahashi**, Anjo (JP); **Kosuke Komiya**, Anjo (JP); **Kazunori Hattori**, Anjo (JP)

(73) Assignee: **MAKITA CORPORATION**, Anjo (JP)

(\*\*) Term: **15 Years**

(21) Appl. No.: **29/714,183**

(22) Filed: **Nov. 21, 2019**

(30) **Foreign Application Priority Data**

May 23, 2019 (JP) ..... 2019-011197

(51) **LOC (14) Cl.** ..... **26-05**

(52) **U.S. Cl.**

USPC ..... **D26/104; D26/40**

(58) **Field of Classification Search**

USPC ..... D26/1, 9-11, 16, 93, 94, 95, 104, 106,  
D26/108, 110, 113, 118, 37, 40, 41

CPC .... F21S 6/00; F21S 6/001; F21S 6/002; F21S  
9/00; F21S 9/02; F21V 3/00; F21V  
35/00; F21V 37/00

See application file for complete search history.

(56) **References Cited**

**U.S. PATENT DOCUMENTS**

D424,227 S *	5/2000	Long	.....	D26/50
D486,598 S *	2/2004	Lo	.....	D26/40
D519,658 S *	4/2006	Izardel	.....	D10/111
D530,843 S *	10/2006	Yamamoto	.....	D26/42
D532,134 S *	11/2006	Lo	.....	D26/40
D581,076 S *	11/2008	Brown	.....	D26/40
D612,084 S *	3/2010	Hillard	.....	D26/40
D620,627 S *	7/2010	Kovacik	.....	D26/42

D628,325 S *	11/2010	Houghton	.....	D26/41
8,485,699 B2	7/2013	Reda, Jr.	.....	
D698,269 S *	1/2014	Barrett, Jr.	.....	D10/78

(Continued)

**OTHER PUBLICATIONS**

Wobble Light 111104 WL400MH Hammer, Dec. 16, 2004, Amazon.com, site visited Dec. 28, 2022, url: <https://www.amazon.com/dp/B00076ENGE> (Year: 2004).\*

(Continued)

*Primary Examiner* — T Chase Nelson

*Assistant Examiner* — Rachel Wolfe

(74) *Attorney, Agent, or Firm* — Global IP Counselors, LLP

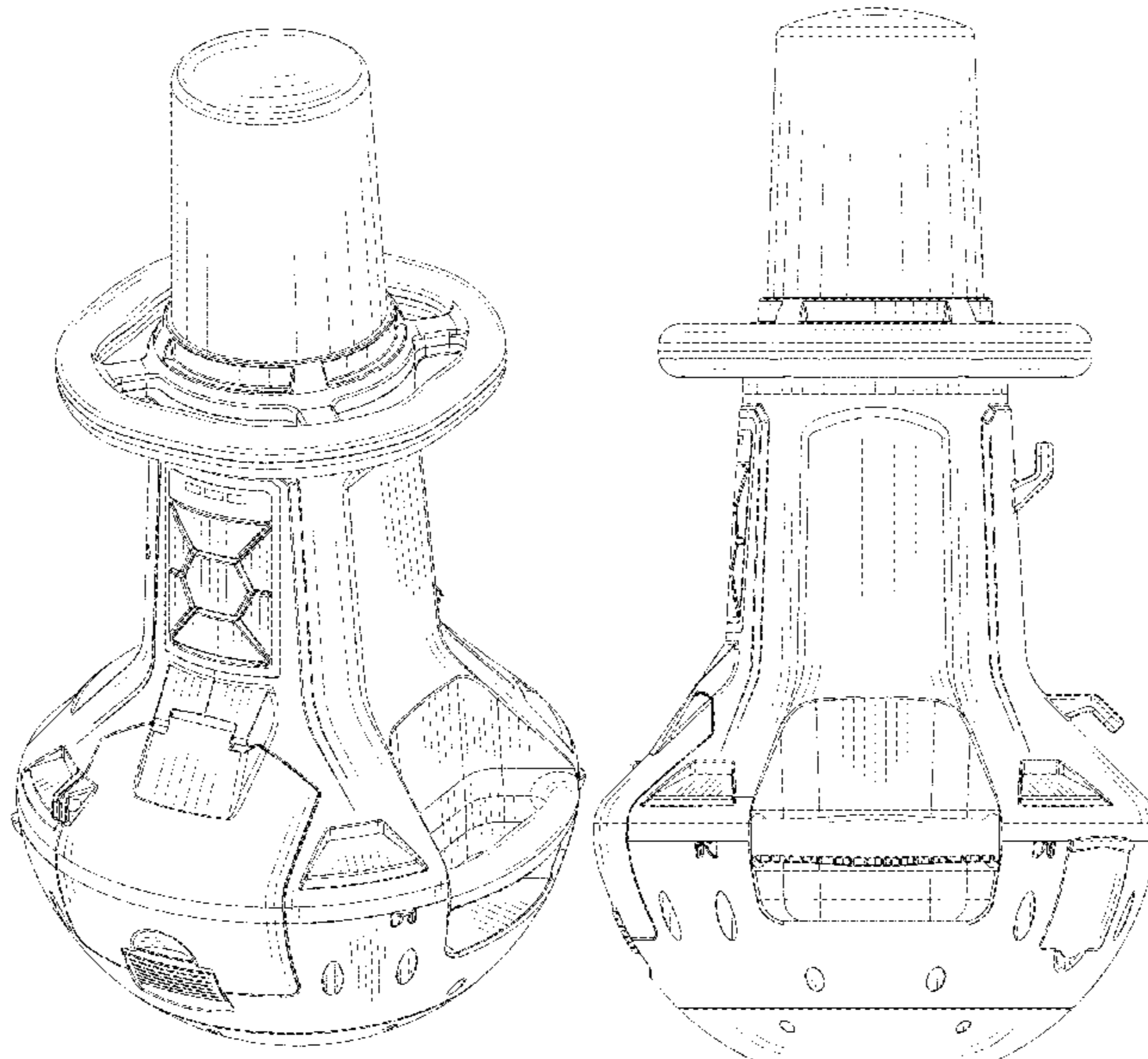
(57) **CLAIM**

The ornamental design for a light fixture, as shown and described.

**DESCRIPTION**

FIG. 1 is a front perspective view of a light fixture in accordance with our new design;  
 FIG. 2 is a rear perspective view of the light fixture in accordance with our new design;  
 FIG. 3 is a front elevational view of the light fixture in accordance with our new design;  
 FIG. 4 is a rear elevational view of the light fixture in accordance with our new design;  
 FIG. 5 is a top plan view of the light fixture in accordance with our new design;  
 FIG. 6 is a bottom plan view of the light fixture in accordance with our new design;  
 FIG. 7 is a left side elevational view of the light fixture in accordance with our new design; and,  
 FIG. 8 is a right side elevational view of the light fixture in accordance with our new design.  
 The broken line showing of environmental structures in the drawings forms no part of the claimed design.

**1 Claim, 8 Drawing Sheets**



(56)

**References Cited**

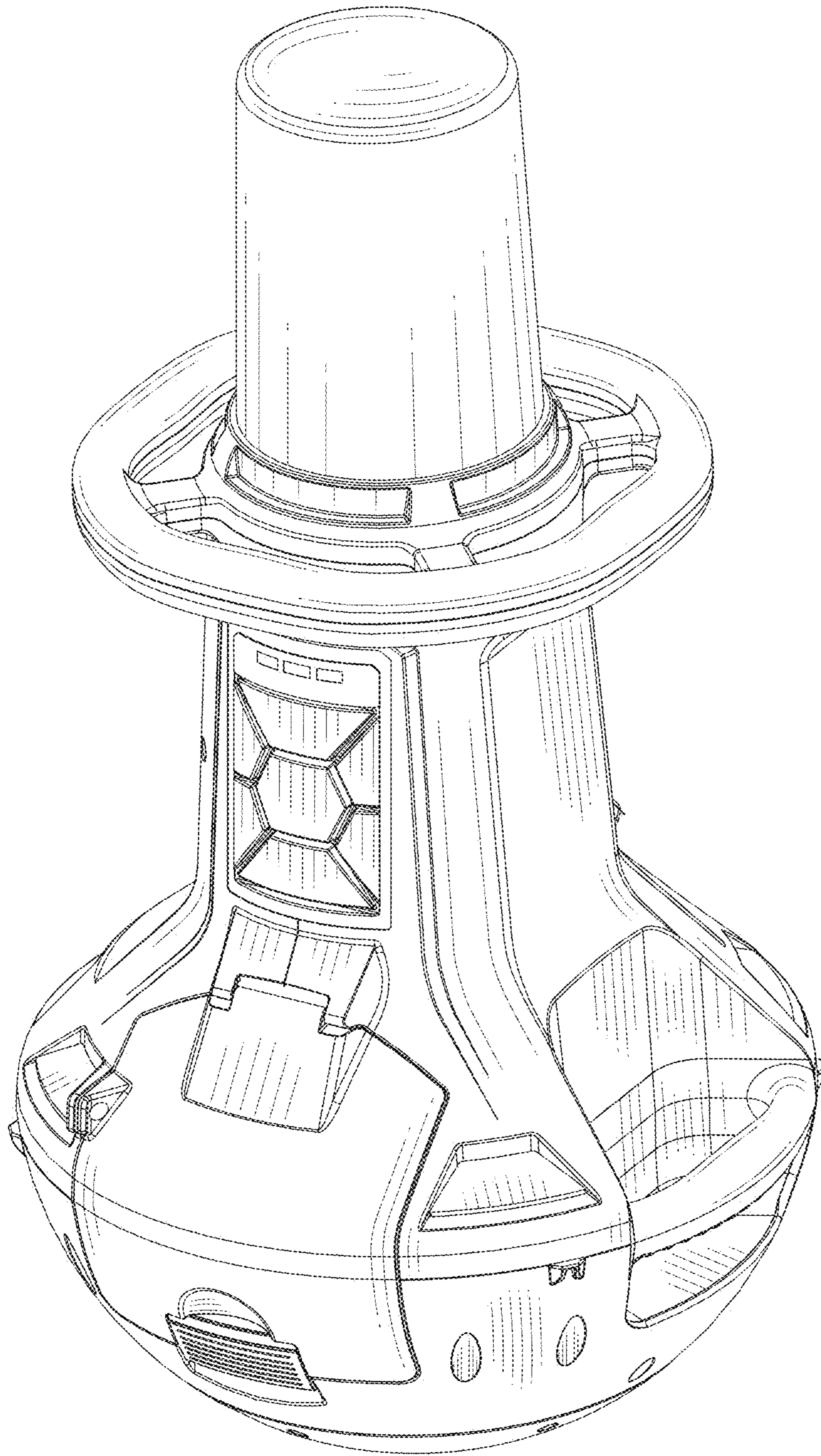
U.S. PATENT DOCUMENTS

D707,378 S *	6/2014	Shiu .....	D26/41
D725,301 S *	3/2015	Fradkina .....	D26/40
D808,555 S *	1/2018	Inskeep .....	D26/41
D823,506 S *	7/2018	Shiu .....	D26/40
D849,295 S *	5/2019	Sun .....	D26/40
D900,365 S *	10/2020	Cayon .....	D26/37
D921,250 S *	6/2021	Xiao .....	D26/41
D943,130 S *	2/2022	Windom .....	D26/40
D961,823 S *	8/2022	Yang .....	D26/41

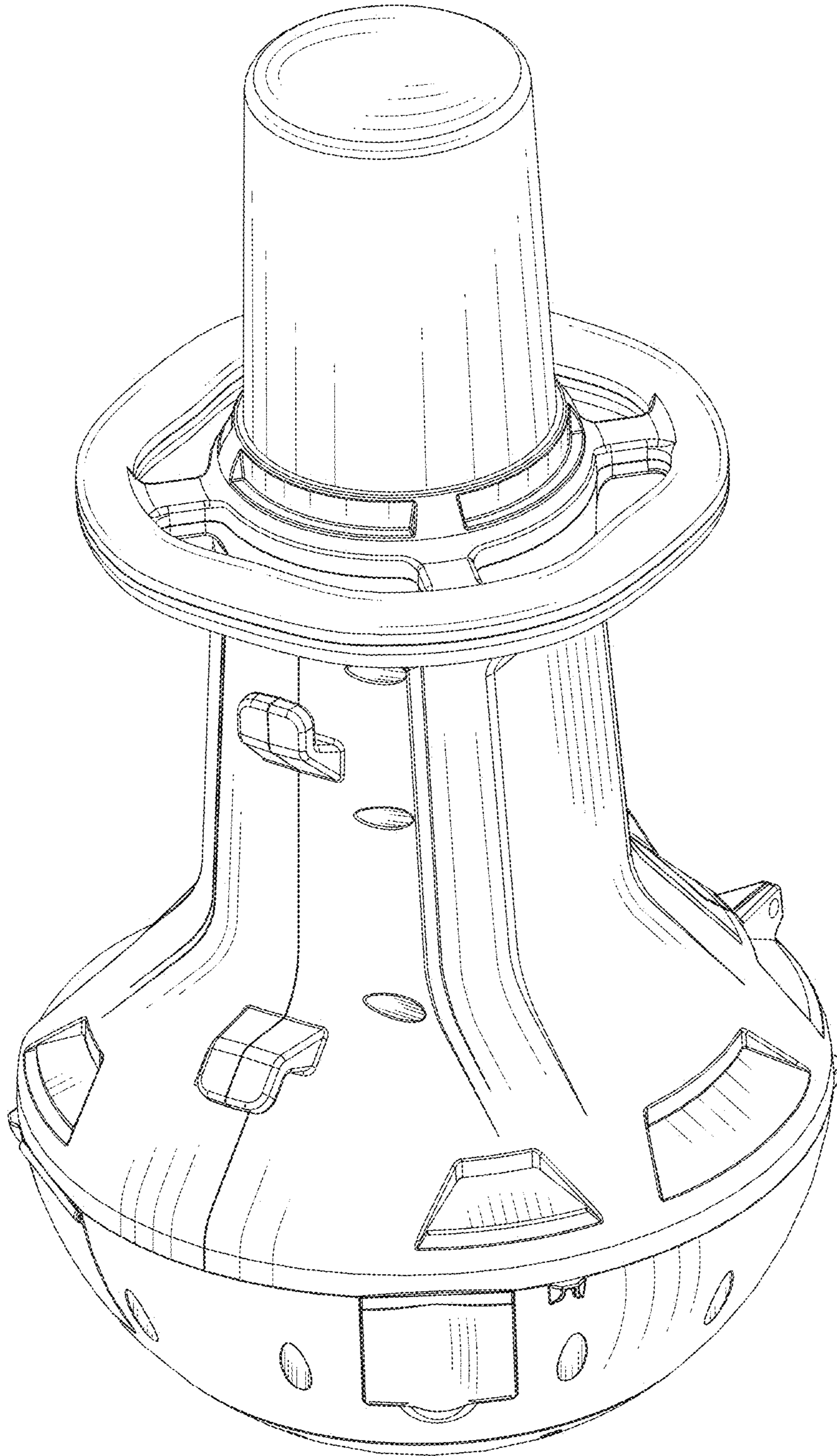
OTHER PUBLICATIONS

Wobble Light 111303LED Wobblelight V3, Jun. 6, 2017, Amazon.com, site visited Dec. 28, 2022, url: <https://www.amazon.com/dp/B0721267CF/> (Year: 2017).\*

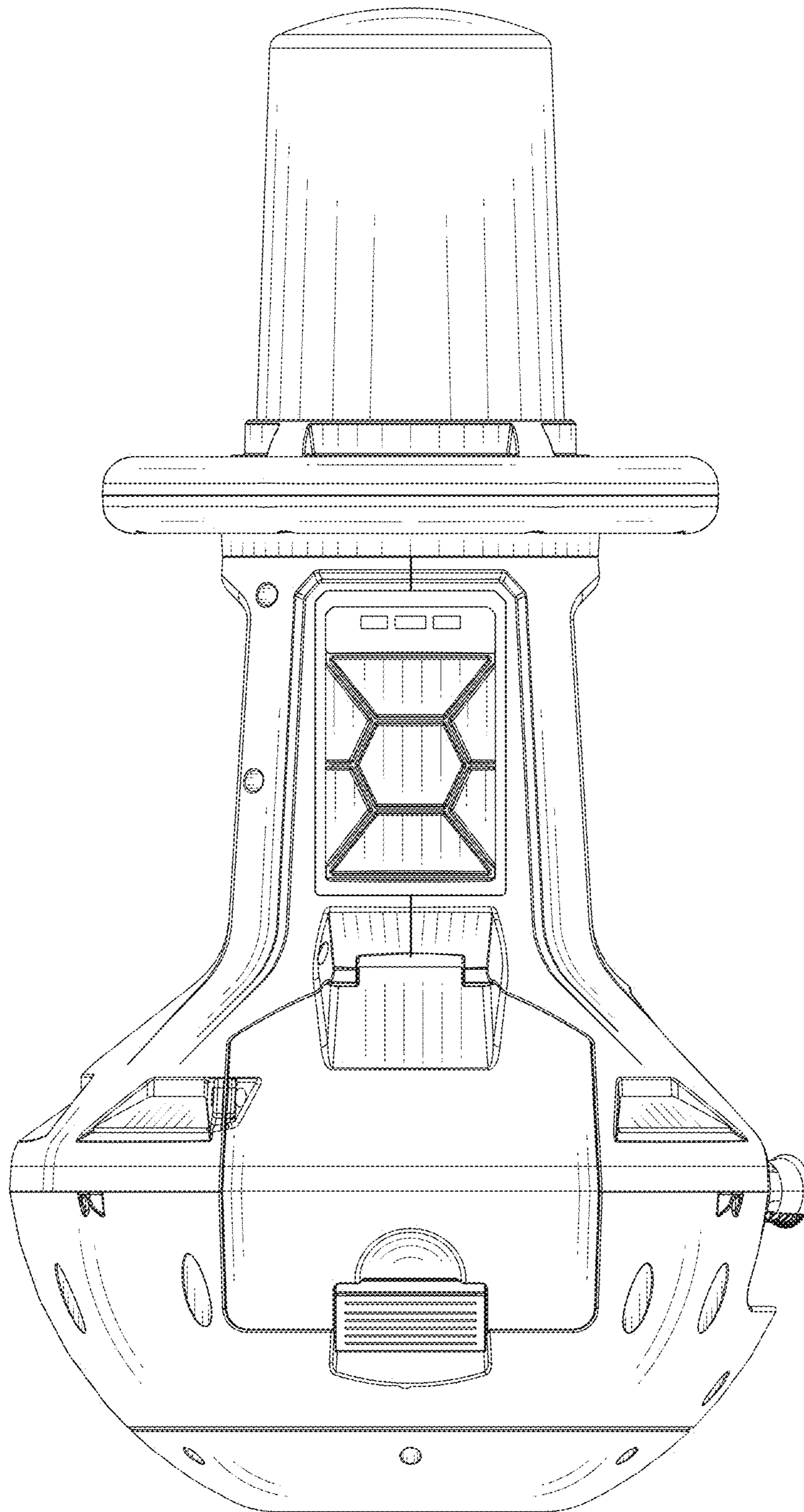
\* cited by examiner



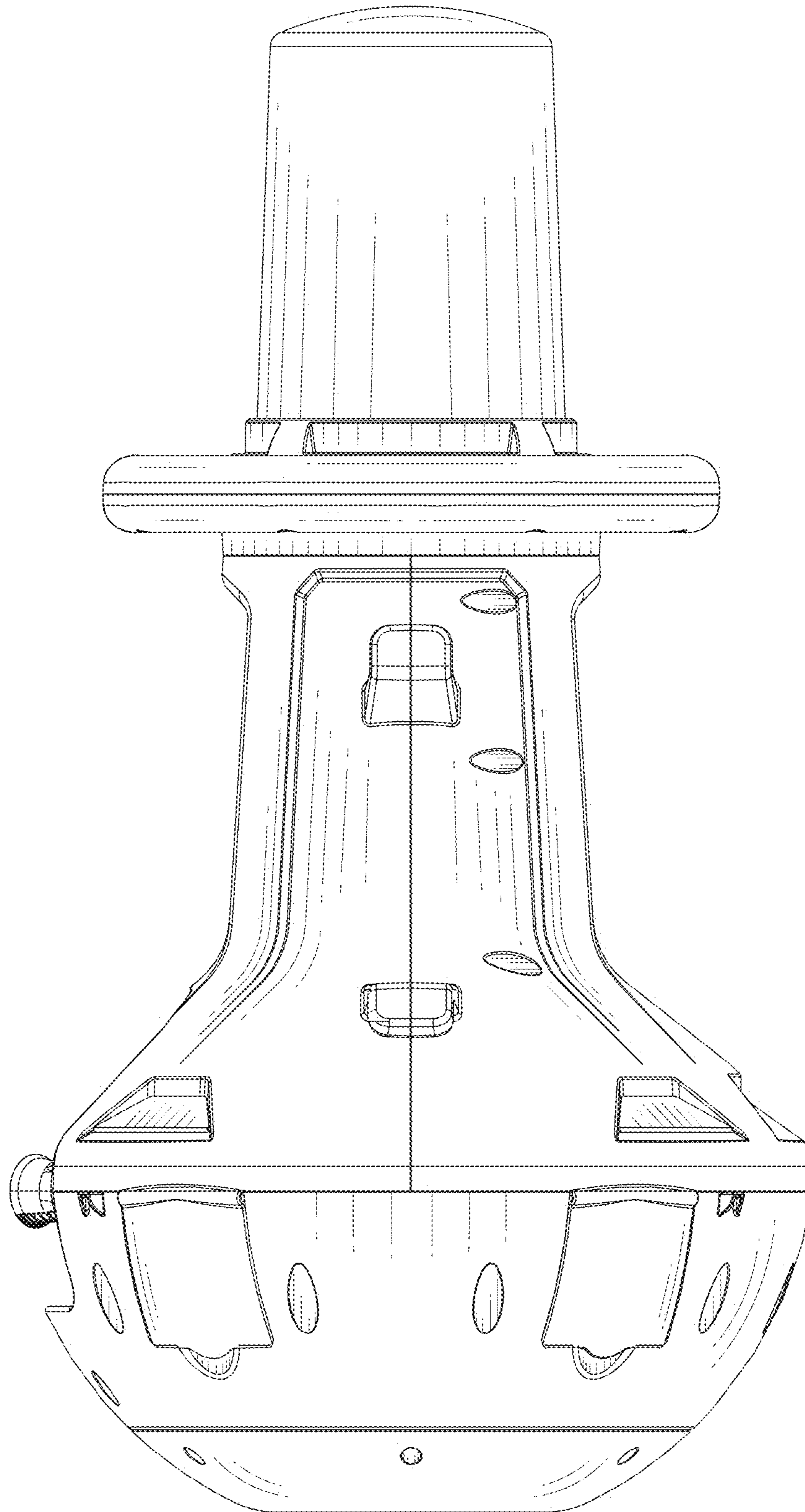
**FIG. 1**



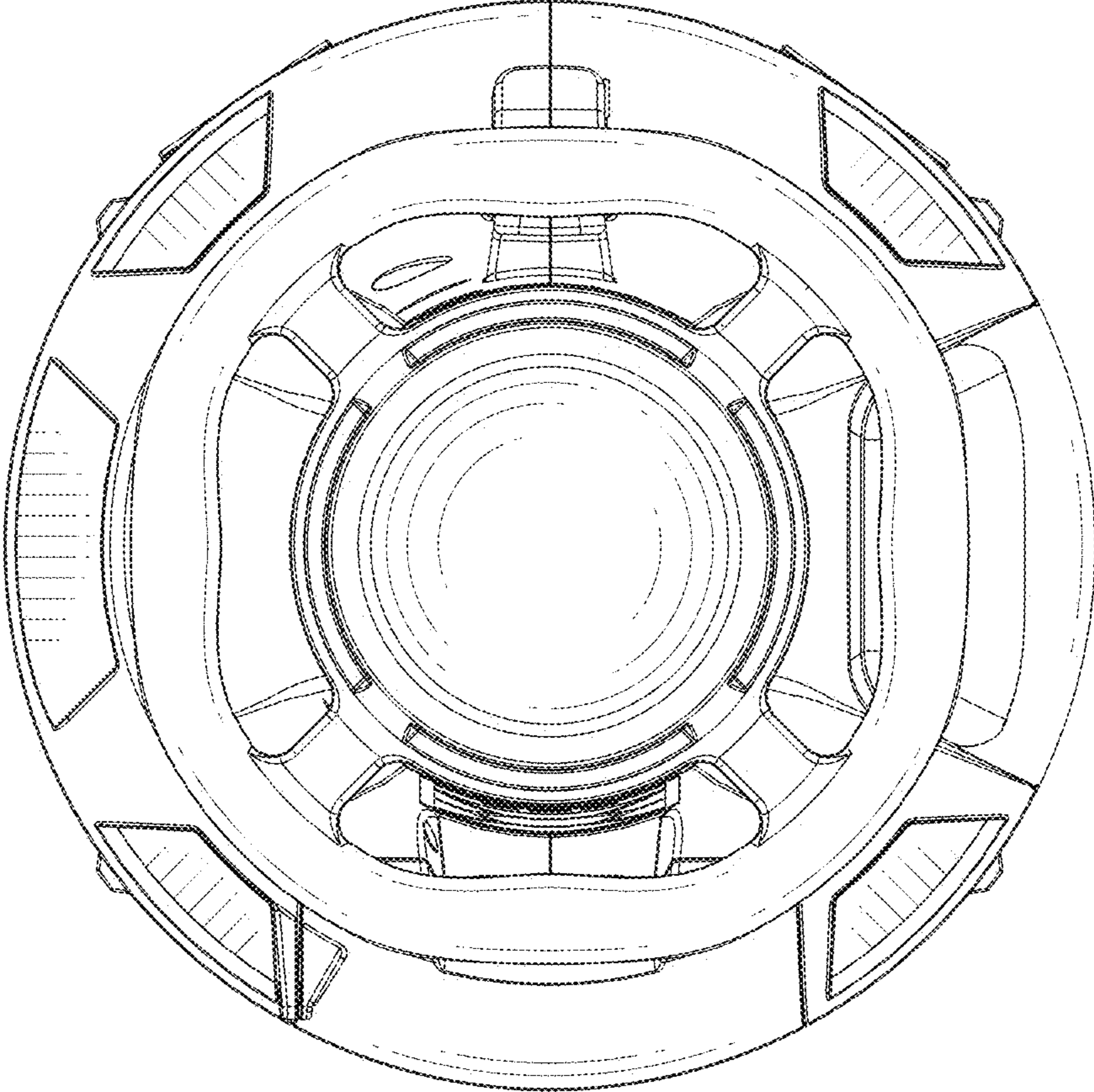
**FIG. 2**



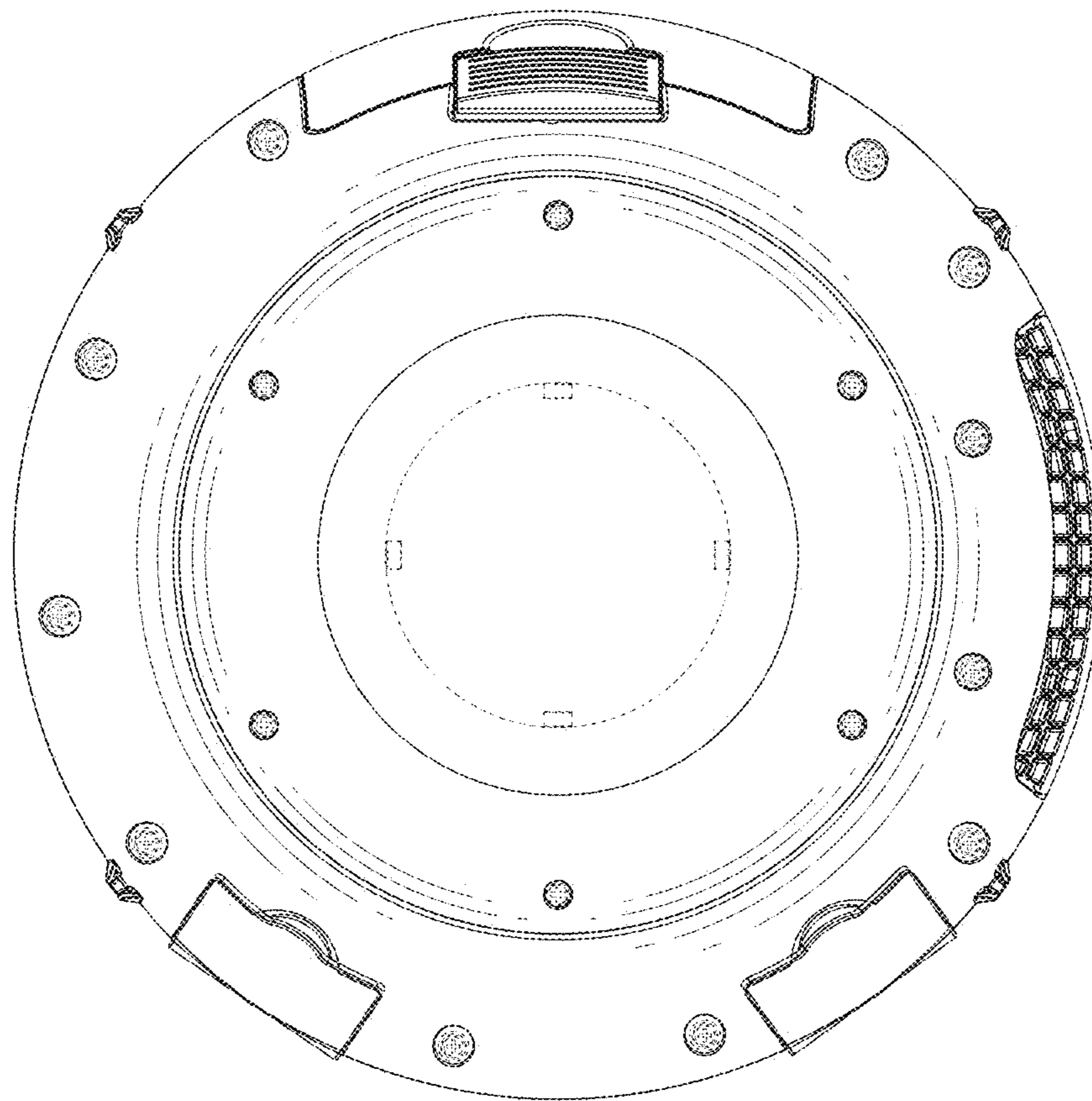
**FIG. 3**



**FIG. 4**

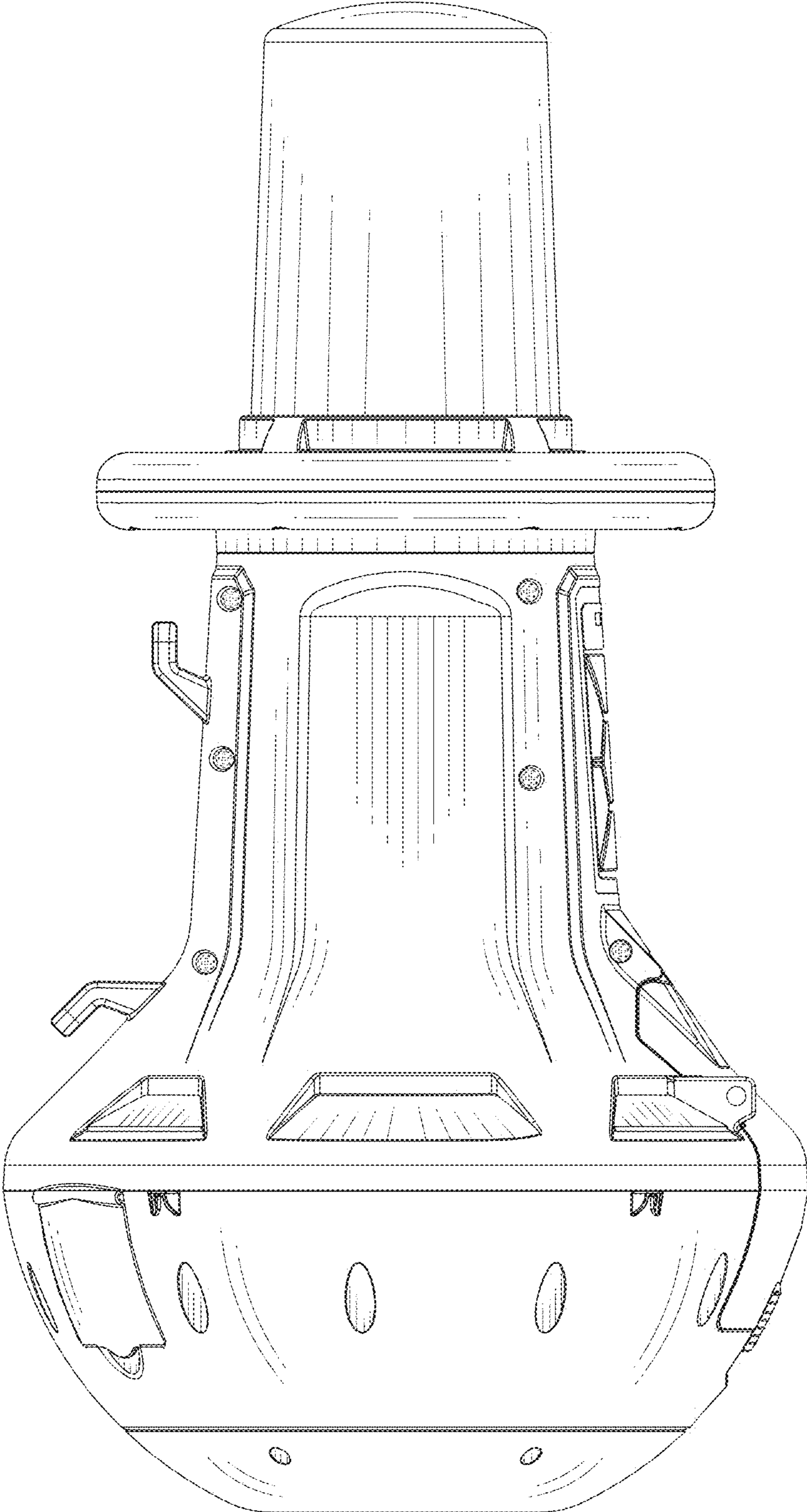


**FIG. 5**

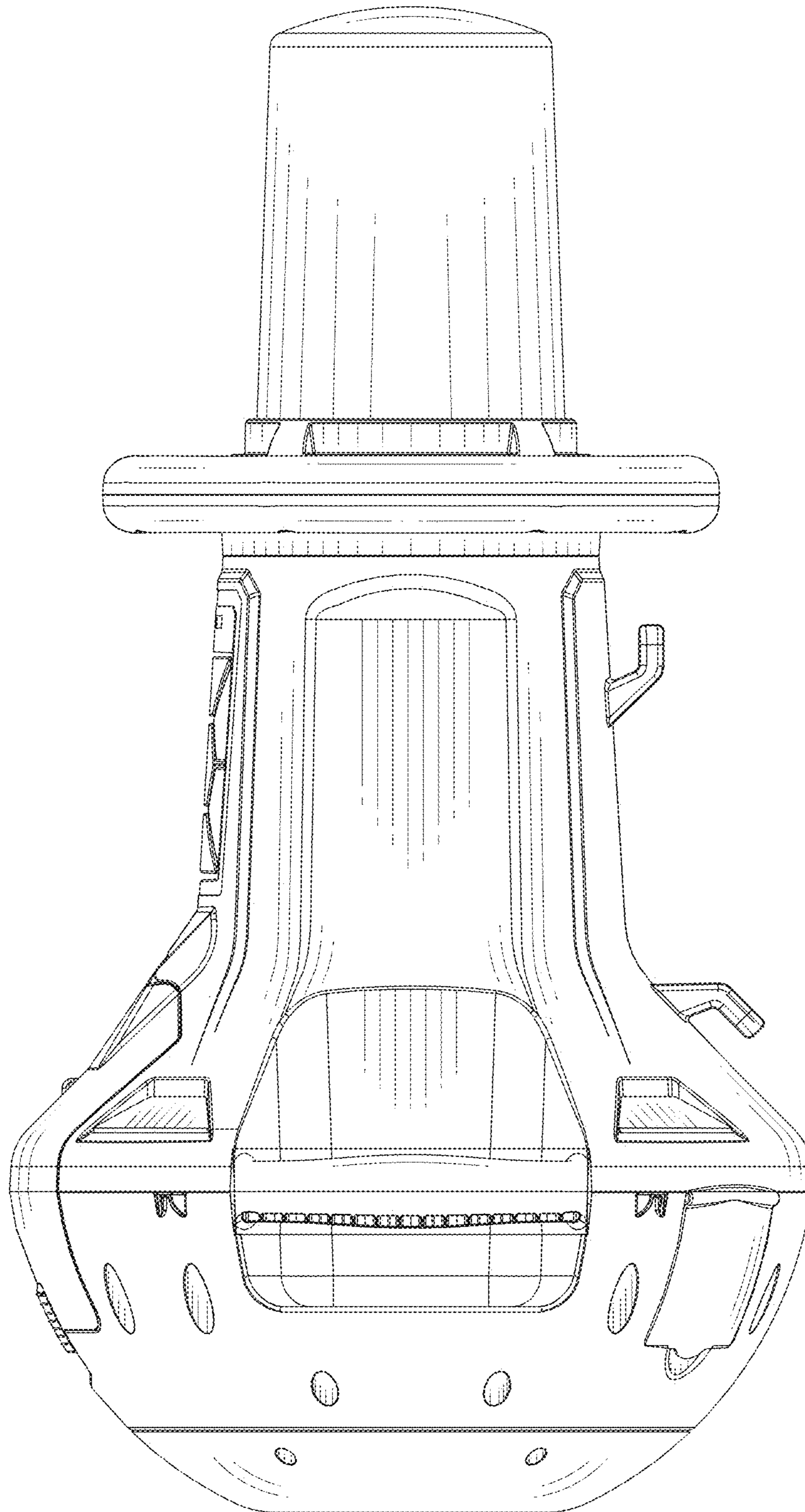


**FIG. 6**





**FIG. 7**



**FIG. 8**