



US00D984024S

(12) **United States Design Patent** (10) **Patent No.:** **US D984,024 S**
Guo (45) **Date of Patent:** **** Apr. 18, 2023**

(54) **ATMOSPHERE LAMP**
(71) Applicant: **Guiyong Guo**, Puyang (CN)
(72) Inventor: **Guiyong Guo**, Puyang (CN)
(**) Term: **15 Years**
(21) Appl. No.: **29/838,691**

D924,470 S * 7/2021 Hsiao D26/141
D928,978 S * 8/2021 Ye D26/93
D937,464 S * 11/2021 Zou D26/85
2022/0136666 A1 * 5/2022 Chen F21V 21/03
362/147

FOREIGN PATENT DOCUMENTS

EM 009021728-0001 * 5/2022
GB 6207925 * 5/2022

OTHER PUBLICATIONS

Baseus 42LED Wireless Under Cabinet Lighting. Nov. 26, 2020. Site visited Oct. 5, 2022. [https://www.amazon.com/Baseus-Adjustable-Temperature-Brightness-Rechargeable/dp/B08P5S5313/ref=sr_1_5?crid=3OZG3H2K26UMX&keywords=cabinet+lamp+atmosphere&qid=1664994681&sprefix=cabinet+lamp+atmosphere%2Caps%2C71&sr=8-5] (Year: 2020).*

(Continued)

Primary Examiner — Wendy L Arminio
Assistant Examiner — Maheen Khurshid
(74) *Attorney, Agent, or Firm* — Justin Lampel

(22) Filed: **May 14, 2022**
(51) **LOC (14) Cl.** **26-05**
(52) **U.S. Cl.**
USPC **D26/93**; D26/72; D26/85
(58) **Field of Classification Search**
USPC D26/24, 42–44, 56, 58, 60–66, 69–72,
D26/75–77, 80–93, 102, 109, 118–122
CPC F21S 8/04; F21S 8/043; F21S 8/046; F21S
8/06; F21S 8/061; F21S 8/063; F21S
8/065; F21S 8/066; F21S 8/068
See application file for complete search history.

(57) **CLAIM**

The ornamental design for an atmosphere lamp, as shown and described.

(56) **References Cited**

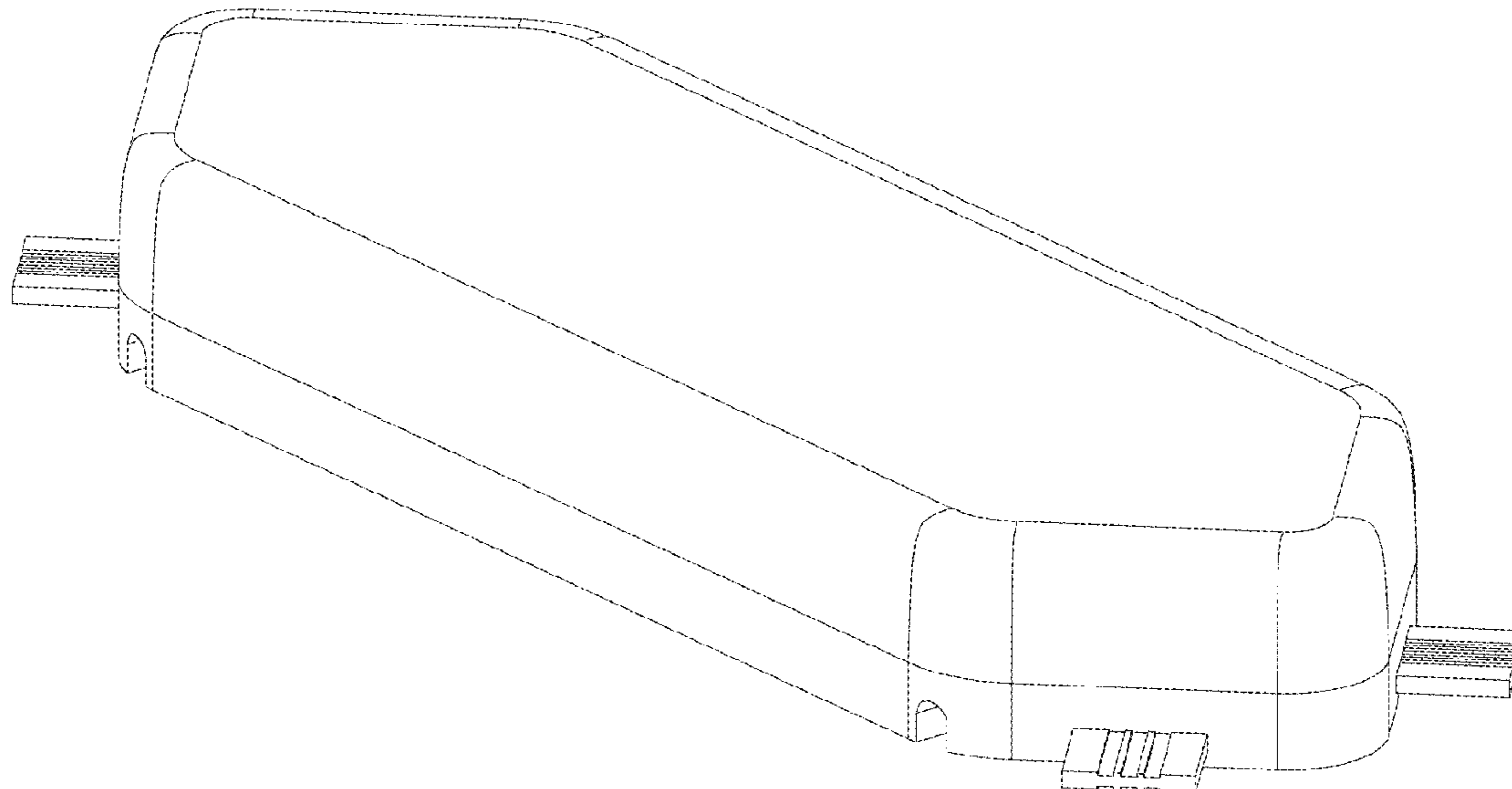
U.S. PATENT DOCUMENTS

D267,516 S * 1/1983 Rambusch D26/24
D319,513 S * 8/1991 Vande Kieft D26/88
D411,326 S * 6/1999 Roorda D26/72
D441,479 S * 5/2001 McCormick D26/72
D491,686 S * 6/2004 Citterio D26/85
D535,775 S * 1/2007 Lueken D26/93
D564,694 S * 3/2008 Southern, Jr. D26/85
D589,638 S * 3/2009 Collins D26/72
D630,777 S * 1/2011 Lee D26/24
D632,004 S 2/2011 Waldmann
D649,673 S * 11/2011 Liang D26/85
D649,679 S * 11/2011 Germain D26/85
D650,507 S * 12/2011 Osiecki D26/85
D705,471 S * 5/2014 Kim D26/89
D774,683 S * 12/2016 Wang D26/93
D874,709 S * 2/2020 Coleman D26/85
D914,259 S * 3/2021 Kipp D26/58
D923,233 S * 6/2021 Liu D26/85

DESCRIPTION

FIG. 1 is a perspective view of an atmosphere lamp showing the claimed design;
FIG. 2 is another perspective view thereof;
FIG. 3 is a top plan view thereof;
FIG. 4 is a rear elevational view thereof;
FIG. 5 is a left side view thereof;
FIG. 6 is a front elevational view thereof;
FIG. 7 is a right side view thereof; and,
FIG. 8 is a bottom plan view.
The broken lines depict portions of the atmosphere lamp that form no part of the claimed design.

1 Claim, 8 Drawing Sheets



(56)

References Cited

OTHER PUBLICATIONS

30-LED Motion Sensor Cabinet Light. Aug. 14, 2020. Site visited Oct. 5, 2022. [https://www.amazon.com/dp/B08FXTTCJX/ref=sspa_dk_detail_6?pd_rd_i=B08FXTTCJX&pd_rd_w=K3gnm&content-id=amzn1.sym.9f074495-da4d-4e1c-b407-69e85fa47fdb&pf_rd_p=9f074495-da4d-4e1c-b407-69e85fa47fdb&pf_rd_r=DBXHNX824S289KDT9ZHA&pd_rd_wg=NQh7l&pd_rd_r=d528f476-f50a-4577-8b3b-4244a503feae&s=hi&sp_csd=d2lkZ2V0TmFtZT1zcF9kZXRhaWxfidGhlbWF0aWM&spLa=ZW5jcmlwdGVkUXVhbGlnaWVyPUEzRjFBUKNBRE5EU1gmZW5jcnlwdGVkSWQ9QTAyMTgzMzlxU112QVQySDRNUiJCJmVuY3J5cHRlZEFkSWQ9QTA2MjQ3ODQxSDkxRVo3SFJPMUpPJndpZGdldE5hbWU9c3BfZGV0YWIsX3RoZW1hdGljJmFjdGlvbj1jbGlja1JlZGlyZW50JmRvTm90TG9nQ2xpY2s9dHJlZQ&th=1] (Year: 2020).*

* cited by examiner

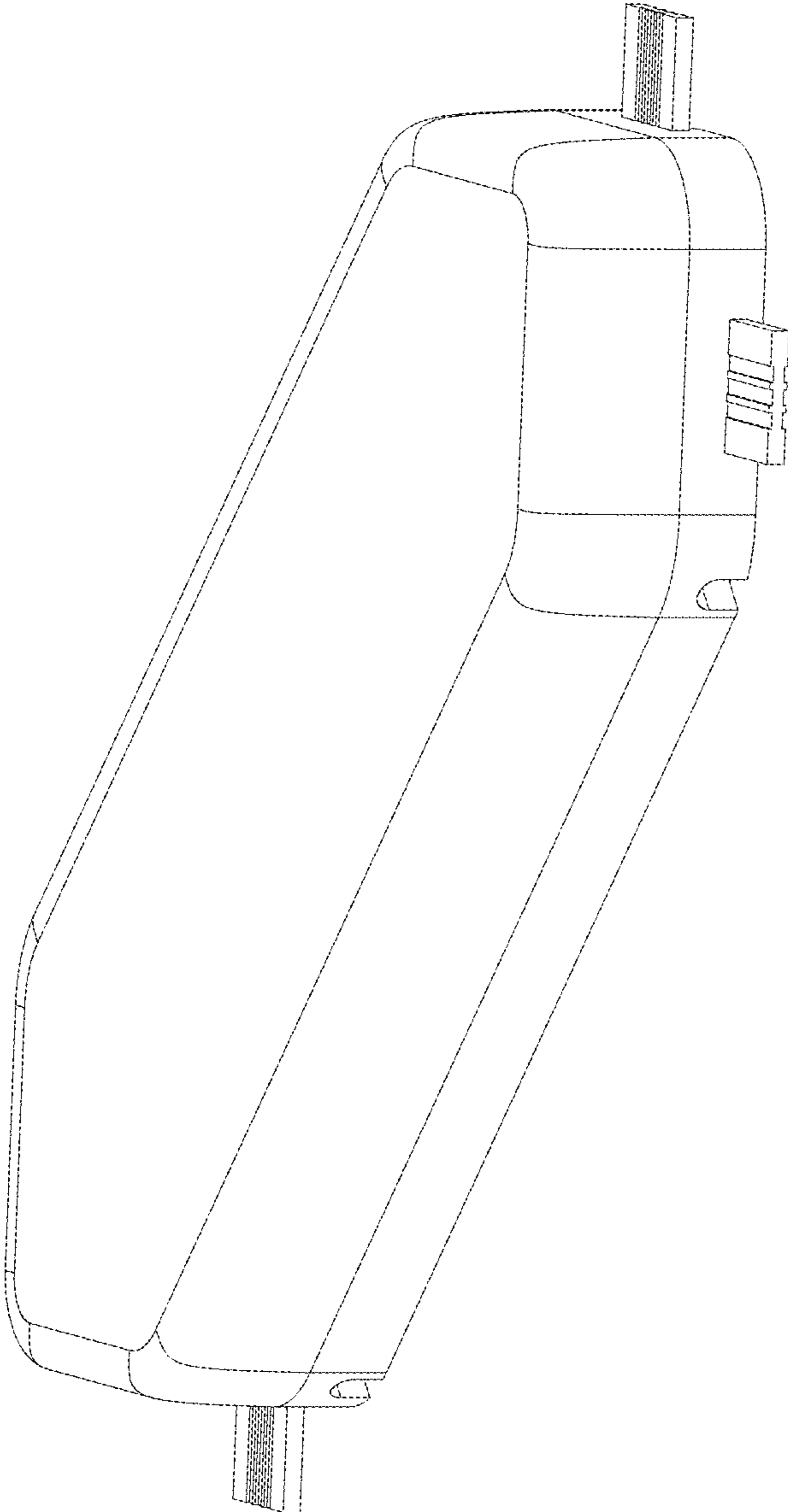


FIG.1

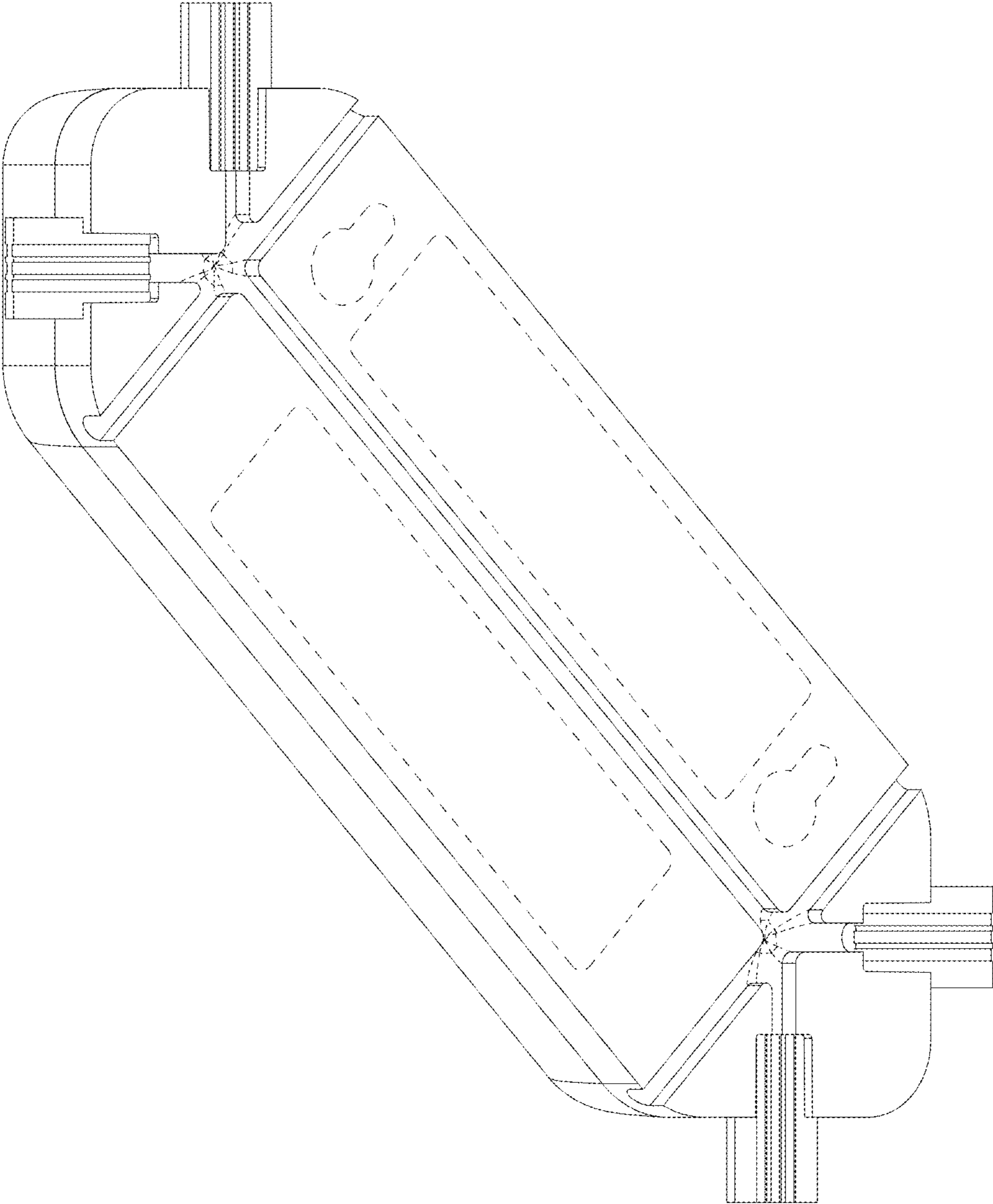


FIG.2

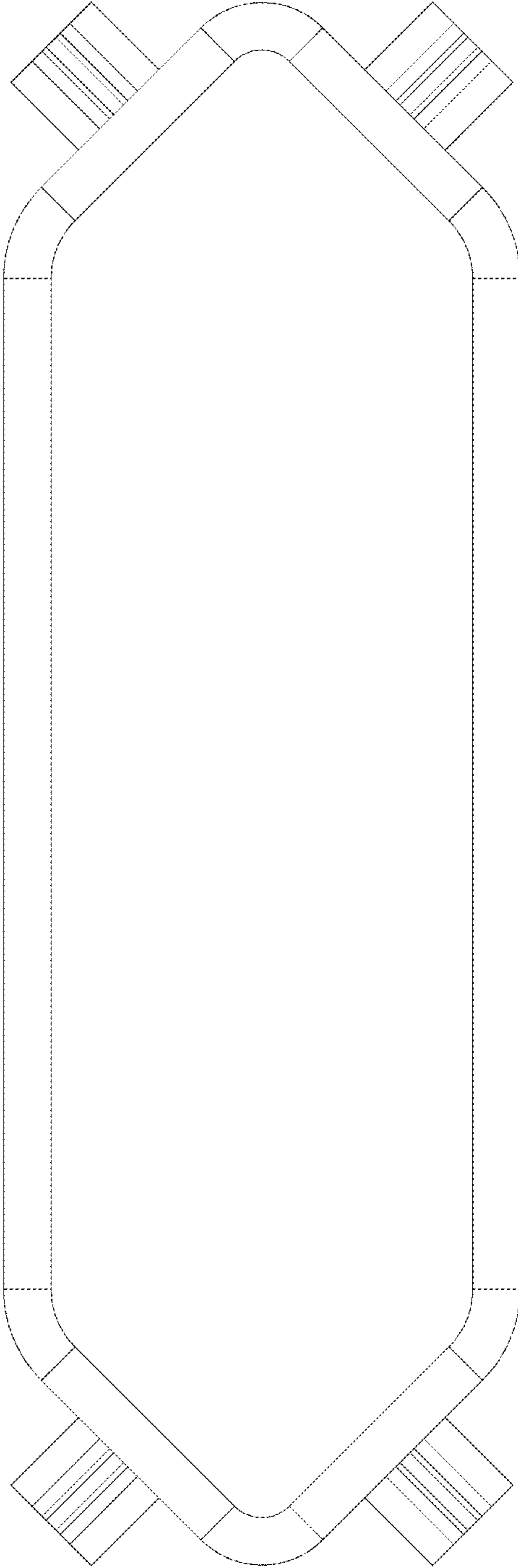


FIG.3

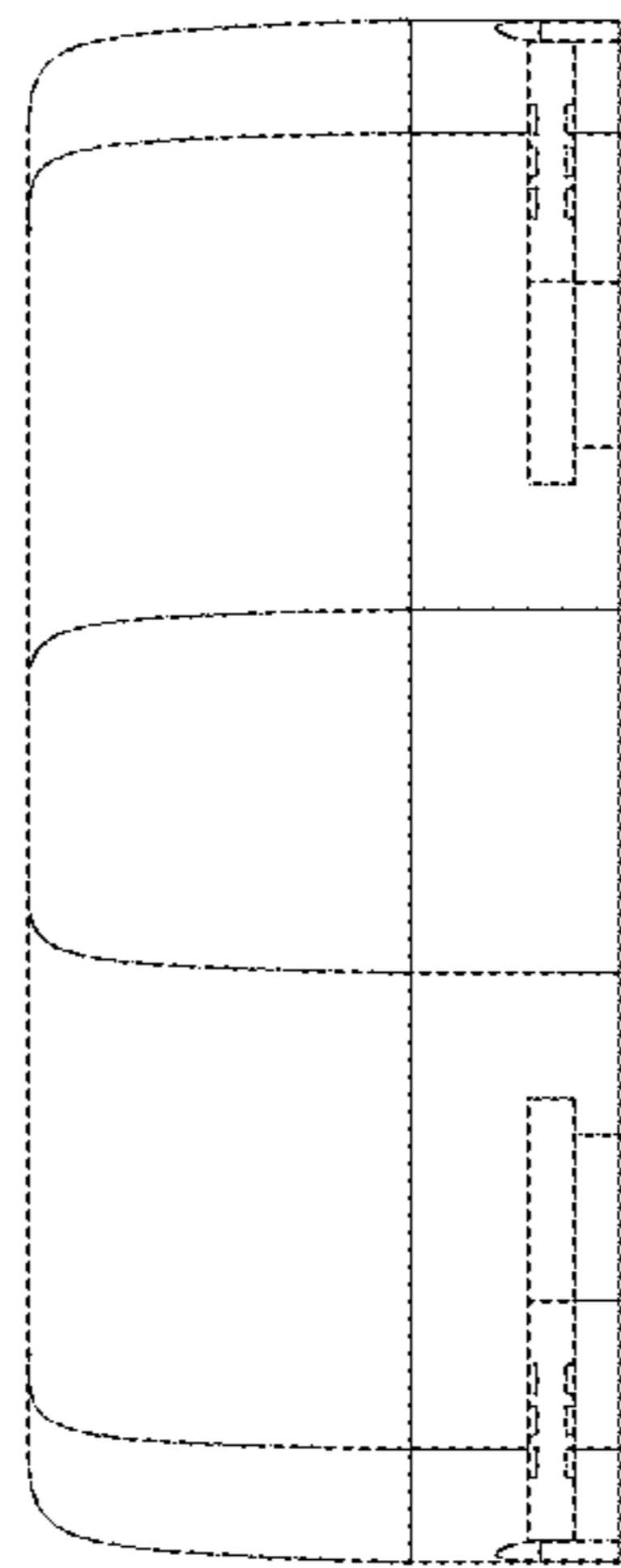


FIG.4

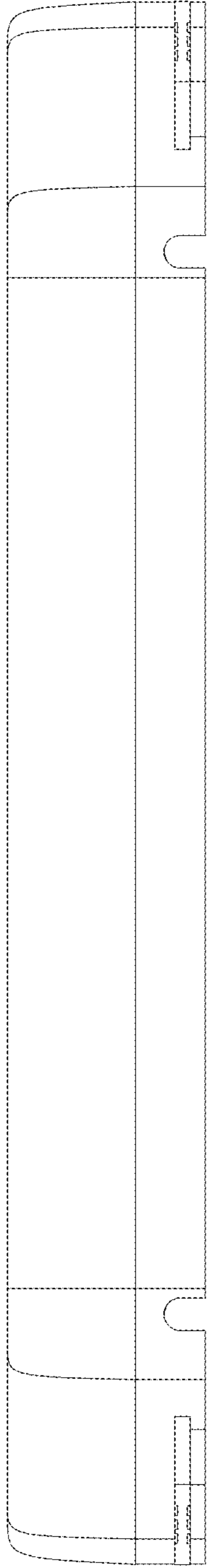


FIG.5

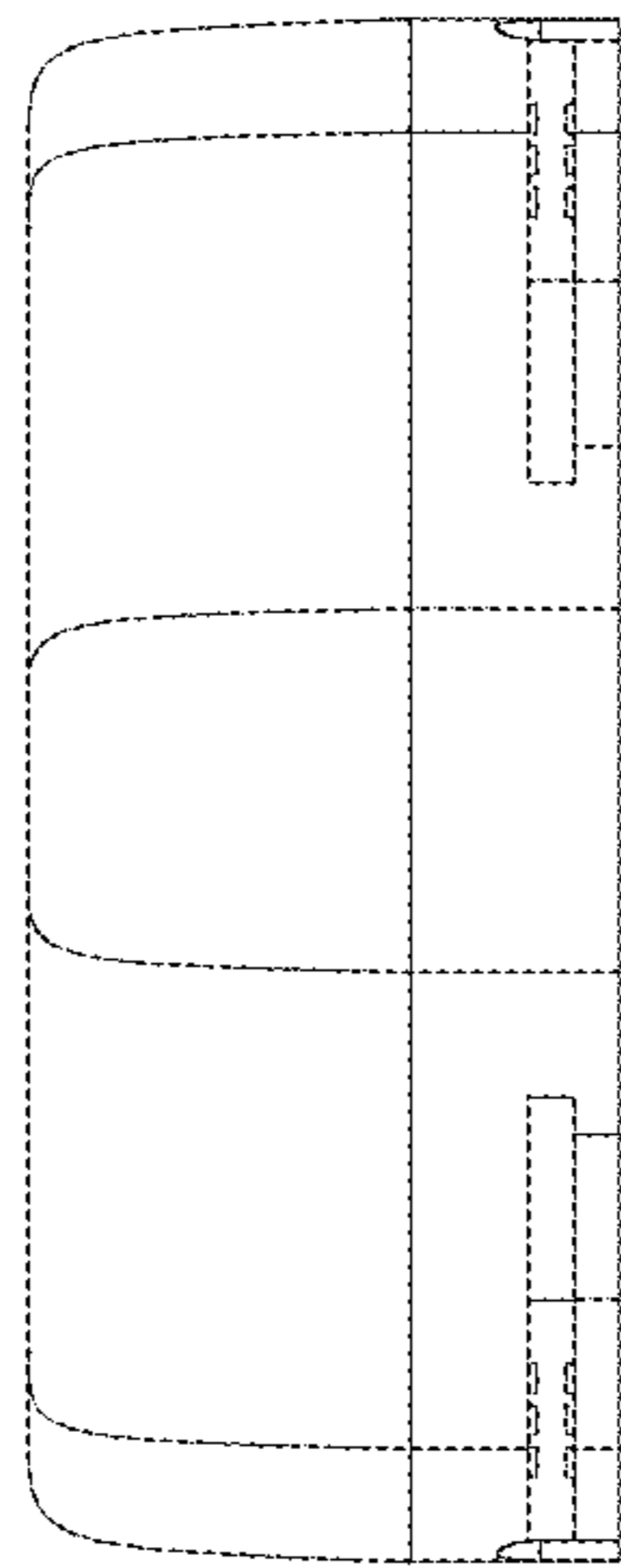


FIG.6

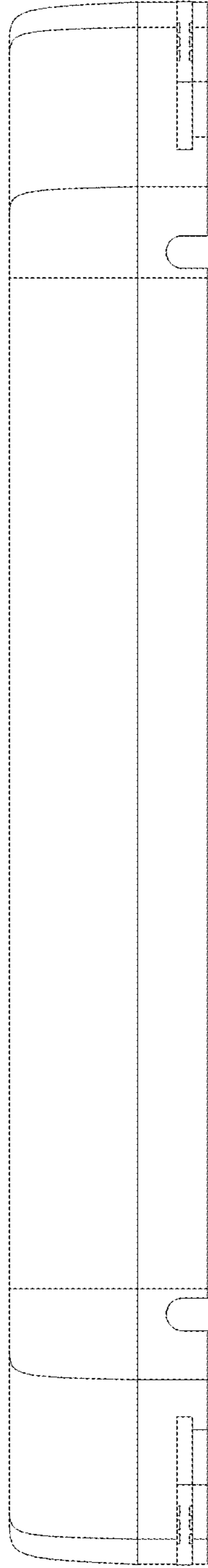


FIG. 7

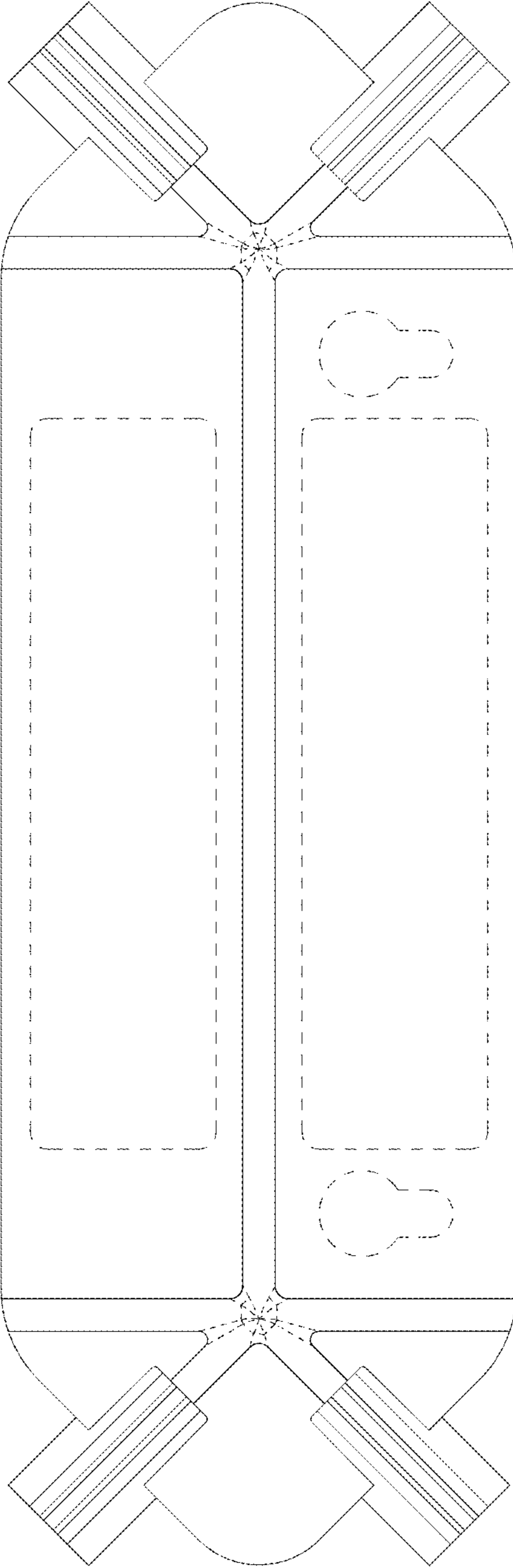


FIG.8