



US00D984022S

(12) **United States Design Patent** (10) **Patent No.:** **US D984,022 S**  
**Liu** (45) **Date of Patent:** **\*\* Apr. 18, 2023**

(54) **OUTDOOR WALL SCONCE**  
(71) Applicant: **SHENZHEN YUSHIDA TECHNOLOGY CO., LTD.**, Shenzhen (CN)  
(72) Inventor: **Xiangyu Liu**, Hengyang (CN)  
(73) Assignee: **SHENZHEN YUSHIDA TECHNOLOGY CO., LTD.**, Shenzhen (CN)

D910,899 S 2/2021 Zheng  
D913,565 S \* 3/2021 Yu ..... D26/87  
D916,352 S \* 4/2021 Zeng ..... D26/86  
D917,766 S \* 4/2021 Amato ..... D26/87  
D921,274 S \* 6/2021 Jiang ..... D26/86  
D922,657 S 6/2021 Zheng  
D958,438 S \* 7/2022 Shen ..... D26/86  
D963,914 S \* 9/2022 Shen ..... D26/86  
D976,478 S \* 1/2023 Fulk ..... D26/142  
D977,175 S \* 1/2023 Li ..... D26/80  
2017/0299155 A1 \* 10/2017 Bibi ..... F21V 1/20

(\*\*) Term: **15 Years**  
(21) Appl. No.: **29/854,080**  
(22) Filed: **Sep. 22, 2022**  
(51) **LOC (14) Cl.** ..... **26-03**  
(52) **U.S. Cl.**  
USPC ..... **D26/87**  
(58) **Field of Classification Search**  
USPC ..... D26/72, 80, 85, 86, 87, 92, 142  
CPC .. F21S 8/033; F21S 8/035; F21S 8/036; F21S 8/046  
See application file for complete search history.

**OTHER PUBLICATIONS**

Kichler ‘Crosby’ 1 Light Wall Sconce, ASIN: B01N1YFQ67. Available from amazon.com Jan. 2, 2017. (Year: 2017).\*  
Door Corner ‘Juno’ Brushed Brass 1 Light Wall Sconce. Available from houzz.com as early as Mar. 11, 2019. (Year: 2019).\*

(Continued)

*Primary Examiner* — Clare E Heflin

(57) **CLAIM**

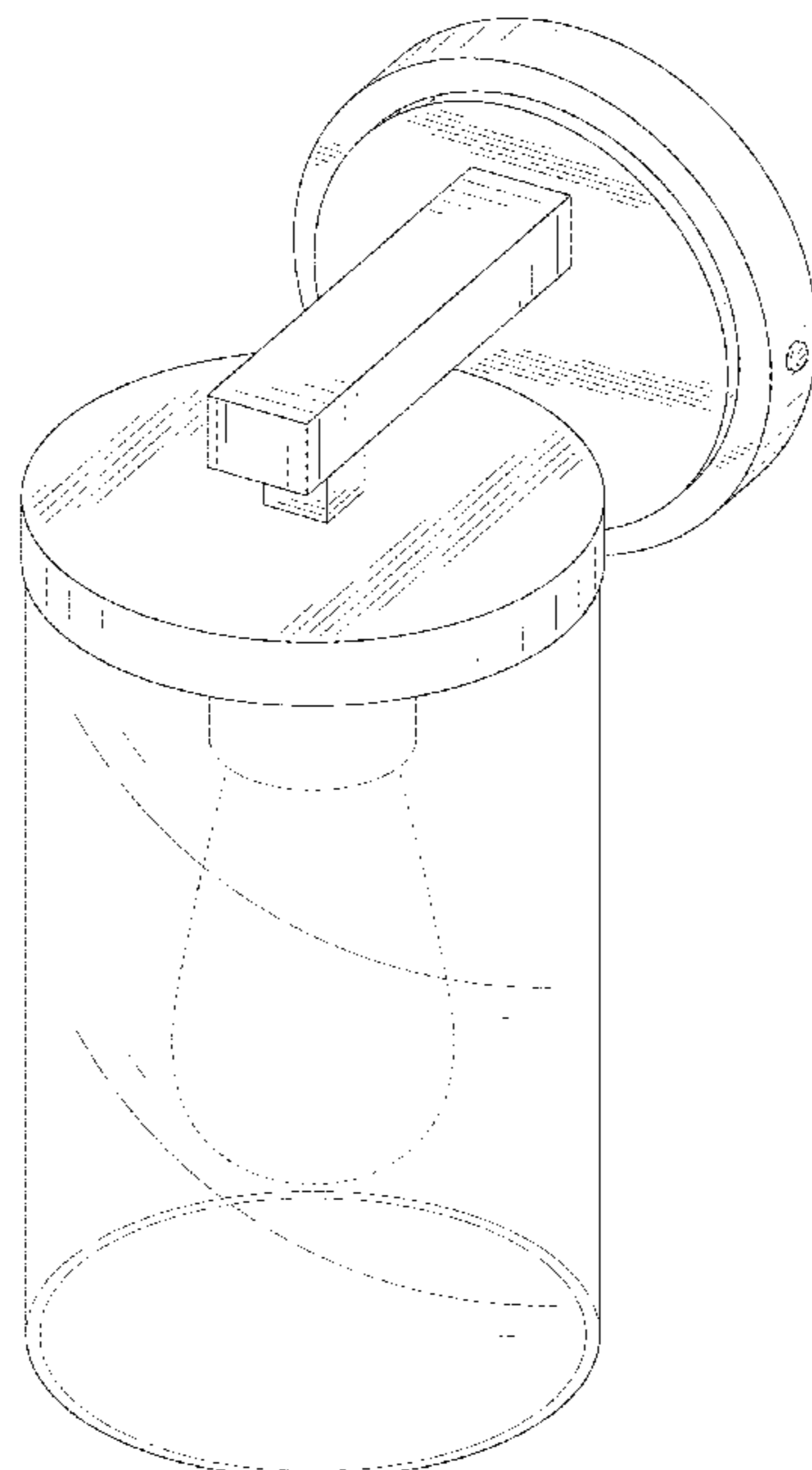
The ornamental design for an outdoor wall sconce, as shown and described.

**DESCRIPTION**

FIG. 1 is a perspective view of an outdoor wall sconce showing my new design;  
FIG. 2 is another perspective view thereof;  
FIG. 3 is a front elevational view thereof;  
FIG. 4 is a rear elevational view thereof;  
FIG. 5 is a left side elevational view thereof;  
FIG. 6 is a right side elevational view thereof;  
FIG. 7 is a top plan view thereof; and,  
FIG. 8 is a bottom plan view thereof.  
The broken lines in the drawings depict portions of the outdoor wall sconce that form no part of the claimed design.

**1 Claim, 8 Drawing Sheets**

(56) **References Cited**  
U.S. PATENT DOCUMENTS  
D473,002 S \* 4/2003 Hoernig ..... D26/92  
D572,401 S \* 7/2008 Chandler ..... D26/87  
D575,437 S \* 8/2008 Bickler ..... D26/86  
D652,561 S \* 1/2012 Chen ..... D26/85  
D754,907 S \* 4/2016 Orozco ..... D26/85  
D754,908 S \* 4/2016 Orozco ..... D26/85  
D780,977 S \* 3/2017 Clark ..... D26/86  
D782,097 S \* 3/2017 Orozco ..... D26/85  
D882,149 S \* 4/2020 Lin ..... D26/86  
D906,573 S \* 12/2020 Smith ..... D26/85  
D906,577 S \* 12/2020 Gardner ..... D26/80



(56)

**References Cited**

OTHER PUBLICATIONS

Sea Gull Lighting 4190301EN3-962 'Zire' One Light Wall / Bath Sconce, ASIN: B07RW75F25. Available from amazon.com May 14, 2019. (Year: 2019).\*

Maxim Lighting 'Lateral' One-Light Wall Sconce Model No. 10281 SWSN shown on p. 462 of the Maxim Lighting International Catalog © 2021. (Year: 2021).\*

Hinkley 'Laurel' High Brushed Nickel Wall Sconce, Style # 1R608. Available from lampsplus.com as early as May 14, 2017. (Year: 2017).\*

Millenium Lighting 'Hudson' 1-Light Brushed Nickel Wall Sconce, Model #5501—BNItem #5234138. Available from lowes.com as early as May 14, 2022. (Year: 2022).\*

Sea Gull Lighting—Norman one light wall sconce Model No. 4151801-848. ASIN: B09BG82Z4Y. Date listed as first available from amazon.com—Jul. 29, 2021. (Year: 2021).\*

Hydelite Bathroom Vanity Light 1 Light Black Wall Sconce, ASIN: B08L95C11X. Date listed as first available from amazon.com—Oct. 16, 2020. (Year: 2020).\*

\* cited by examiner

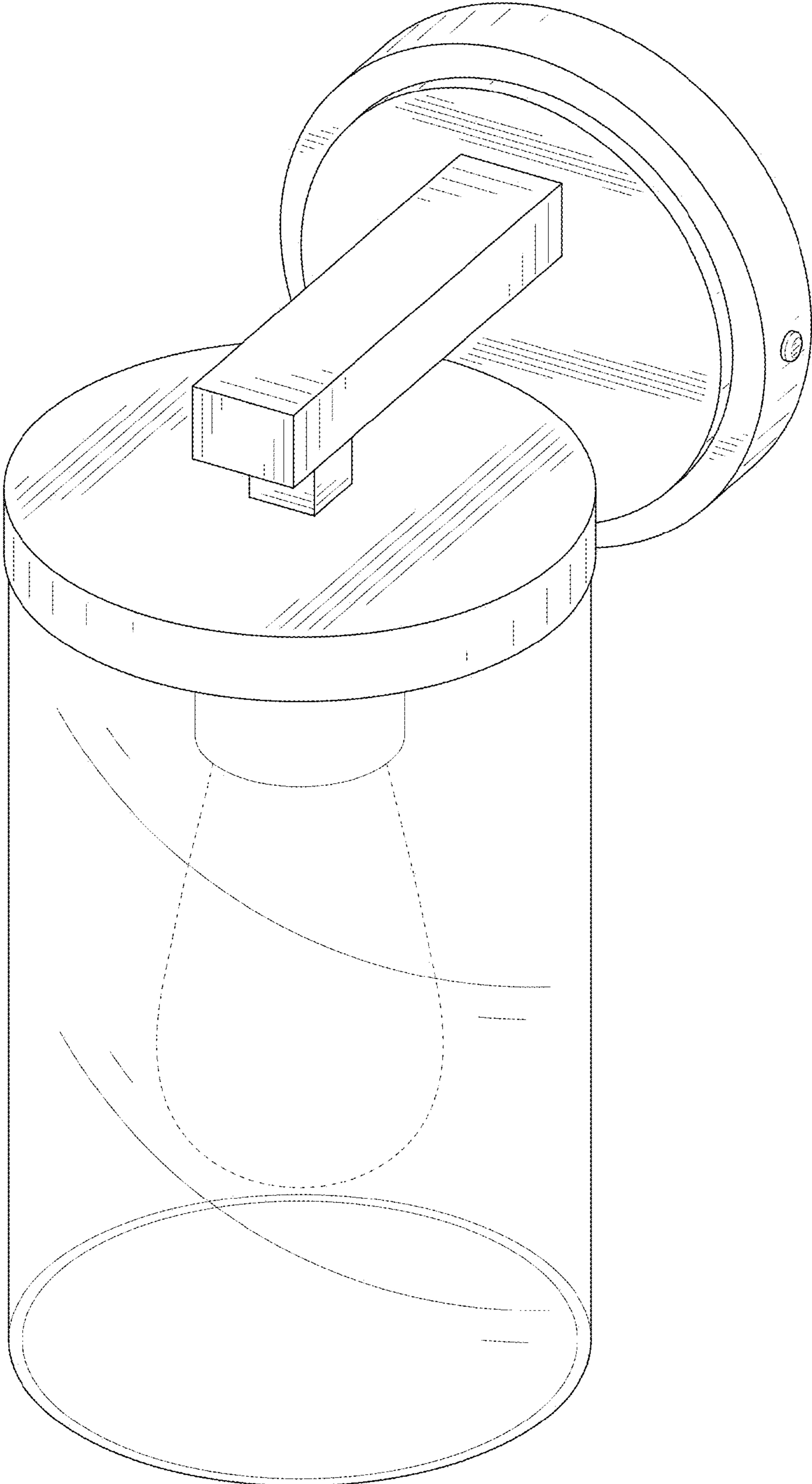


FIG. 1

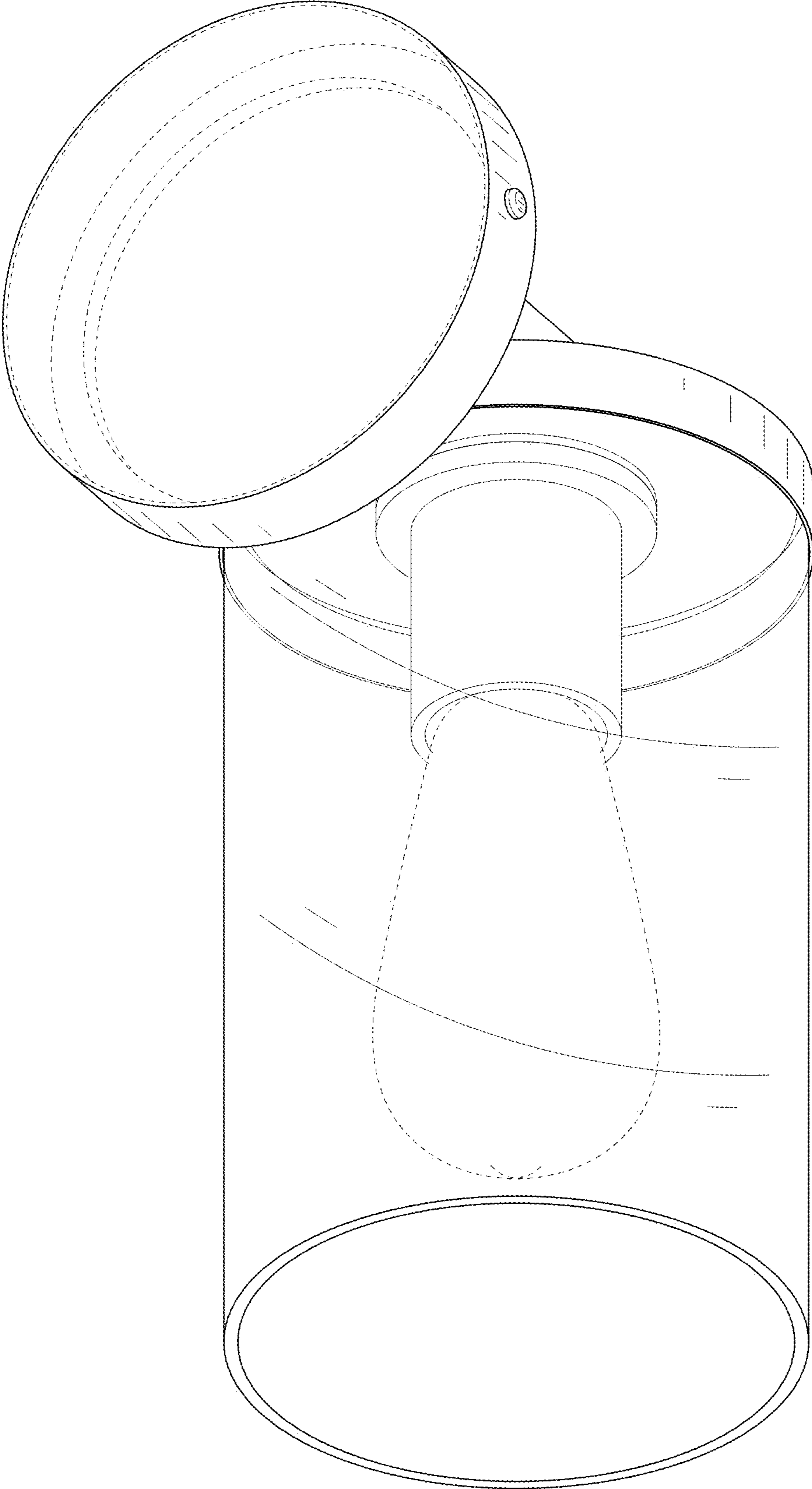


FIG. 2

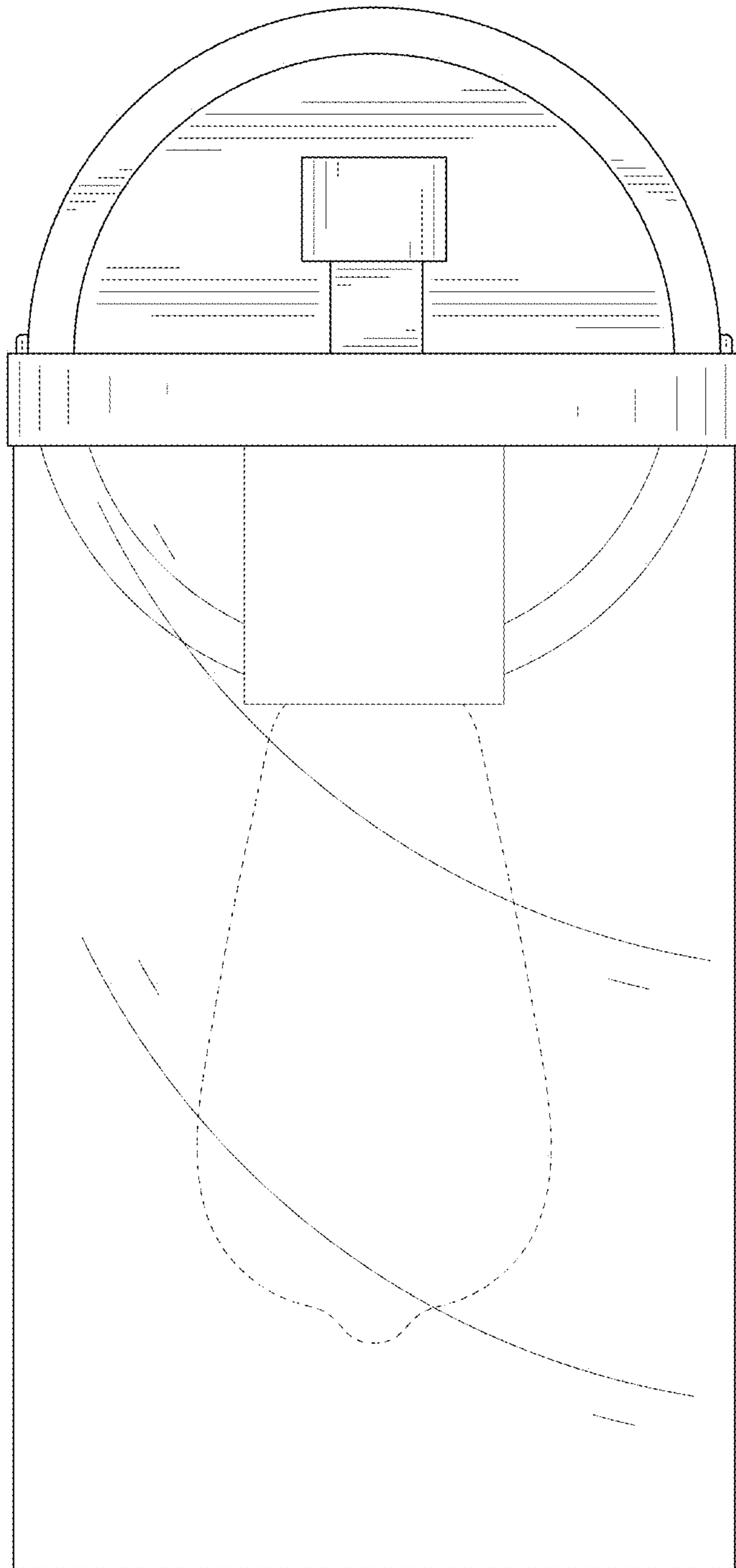


FIG. 3

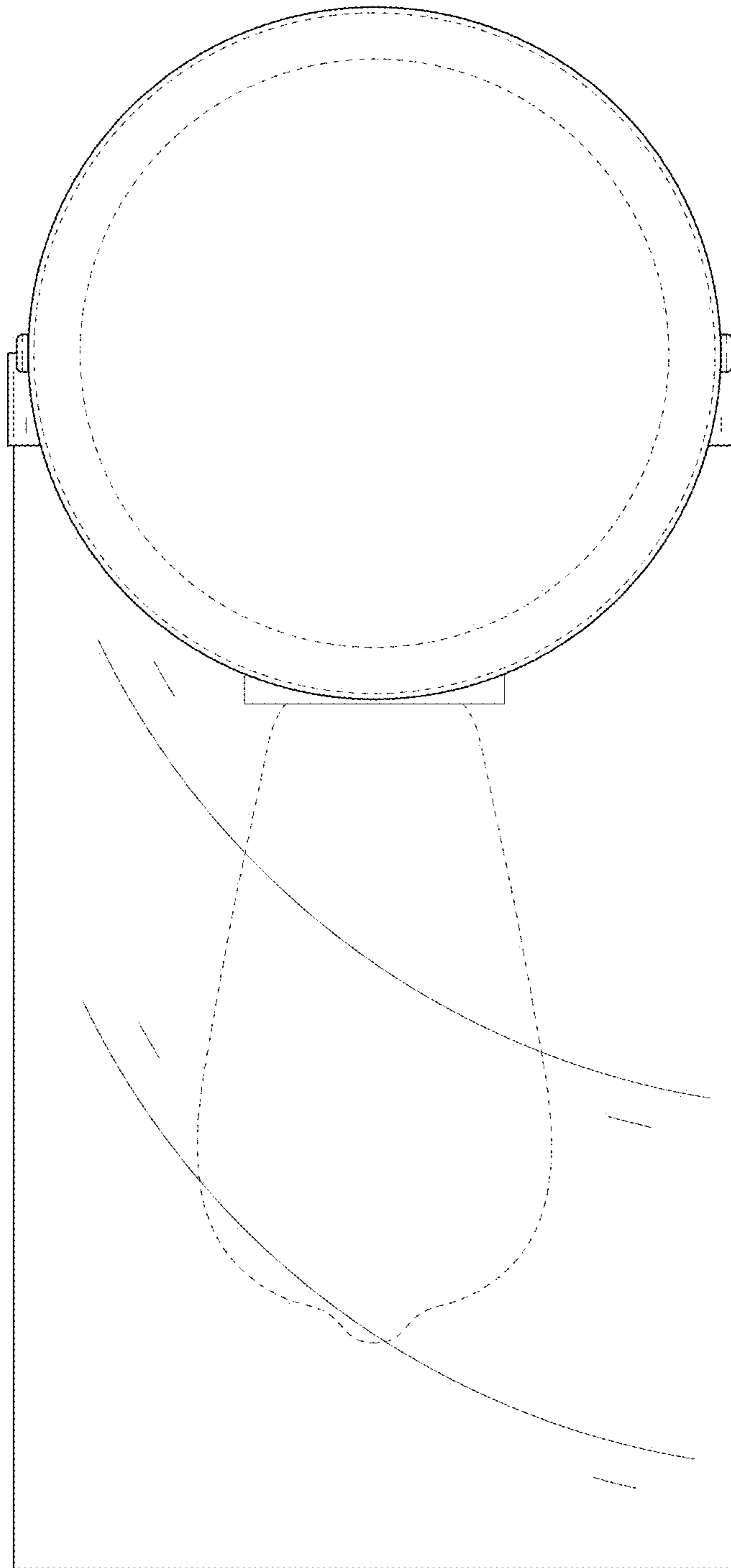


FIG. 4

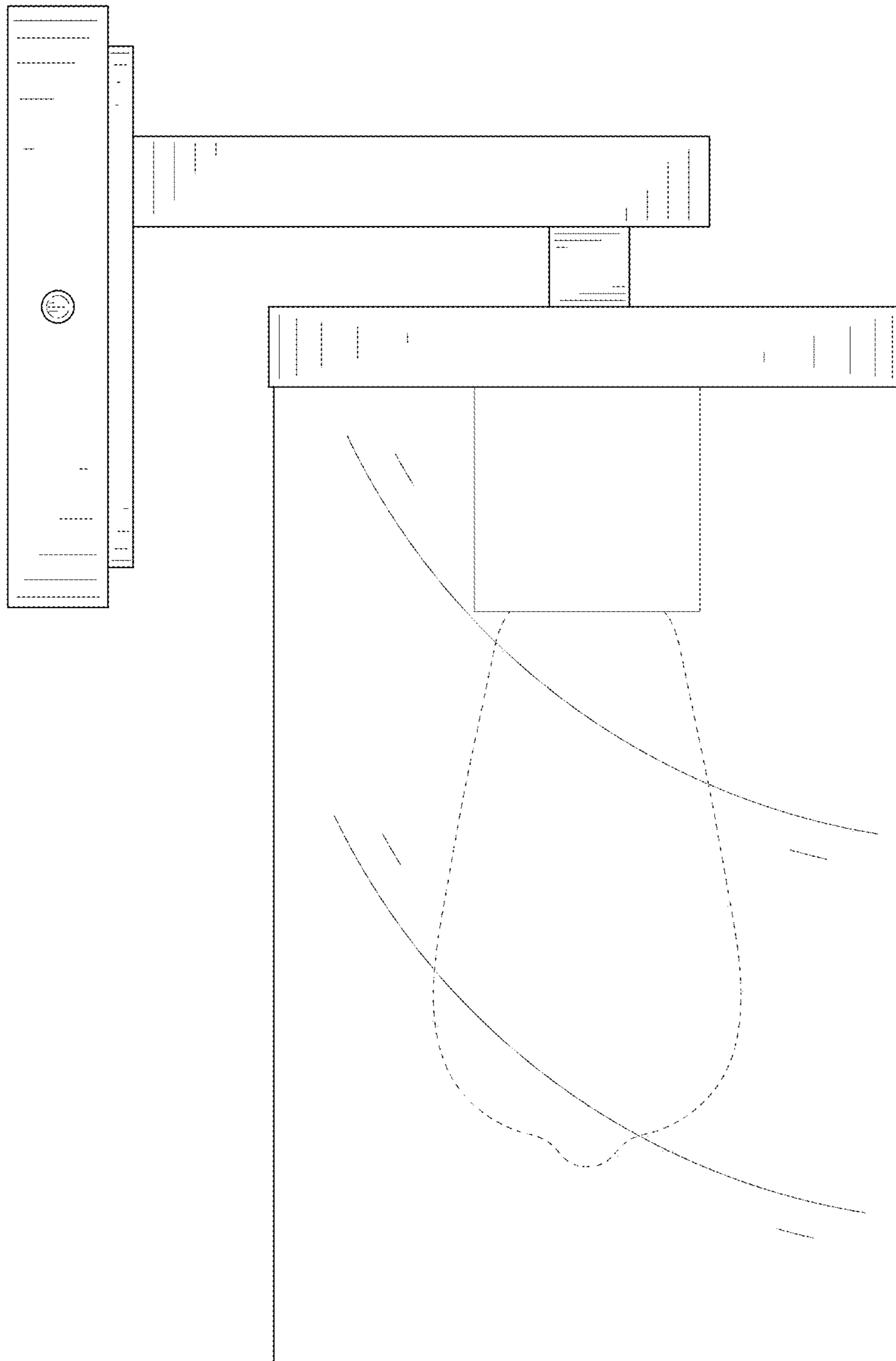


FIG. 5

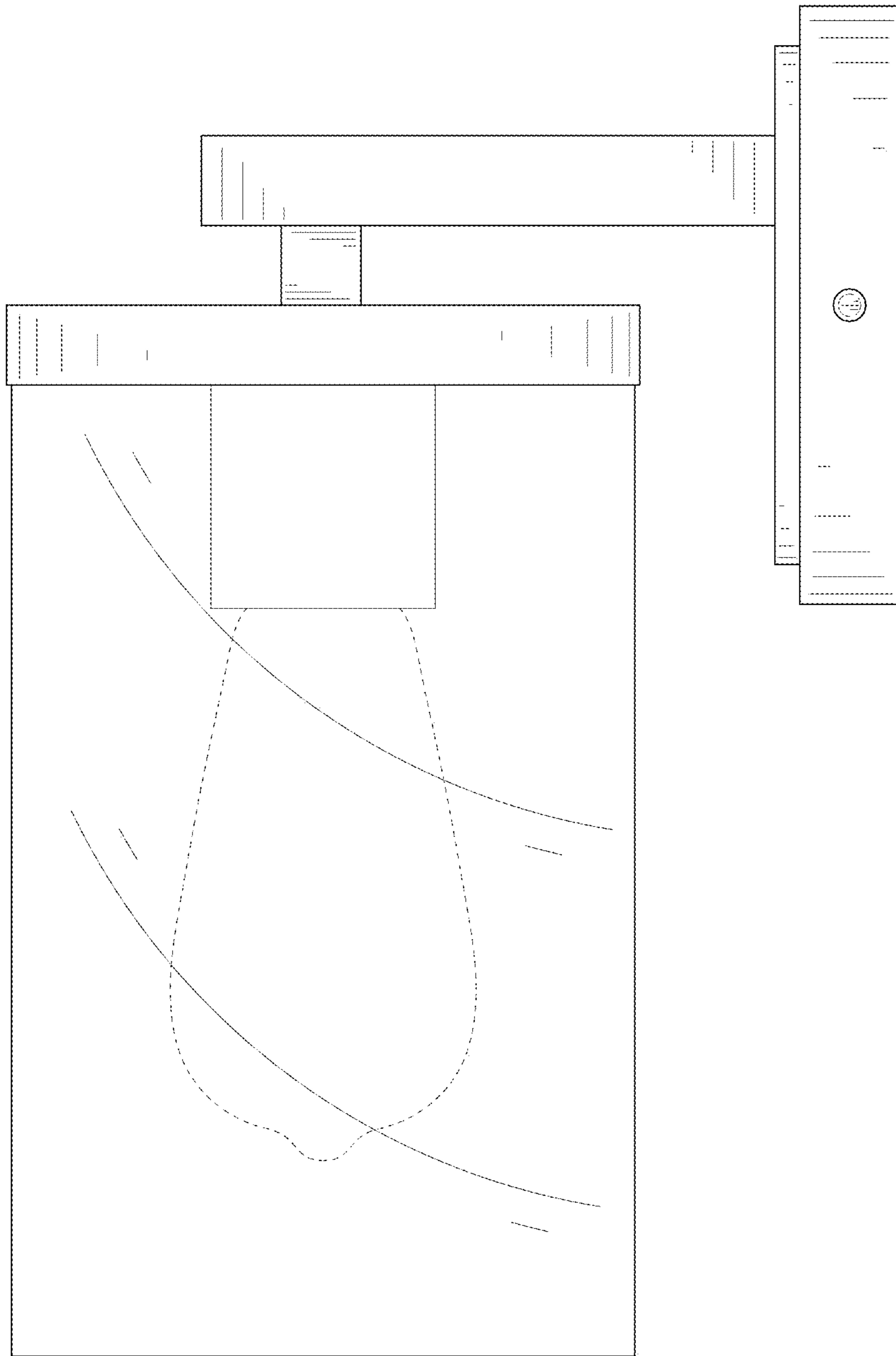


FIG. 6



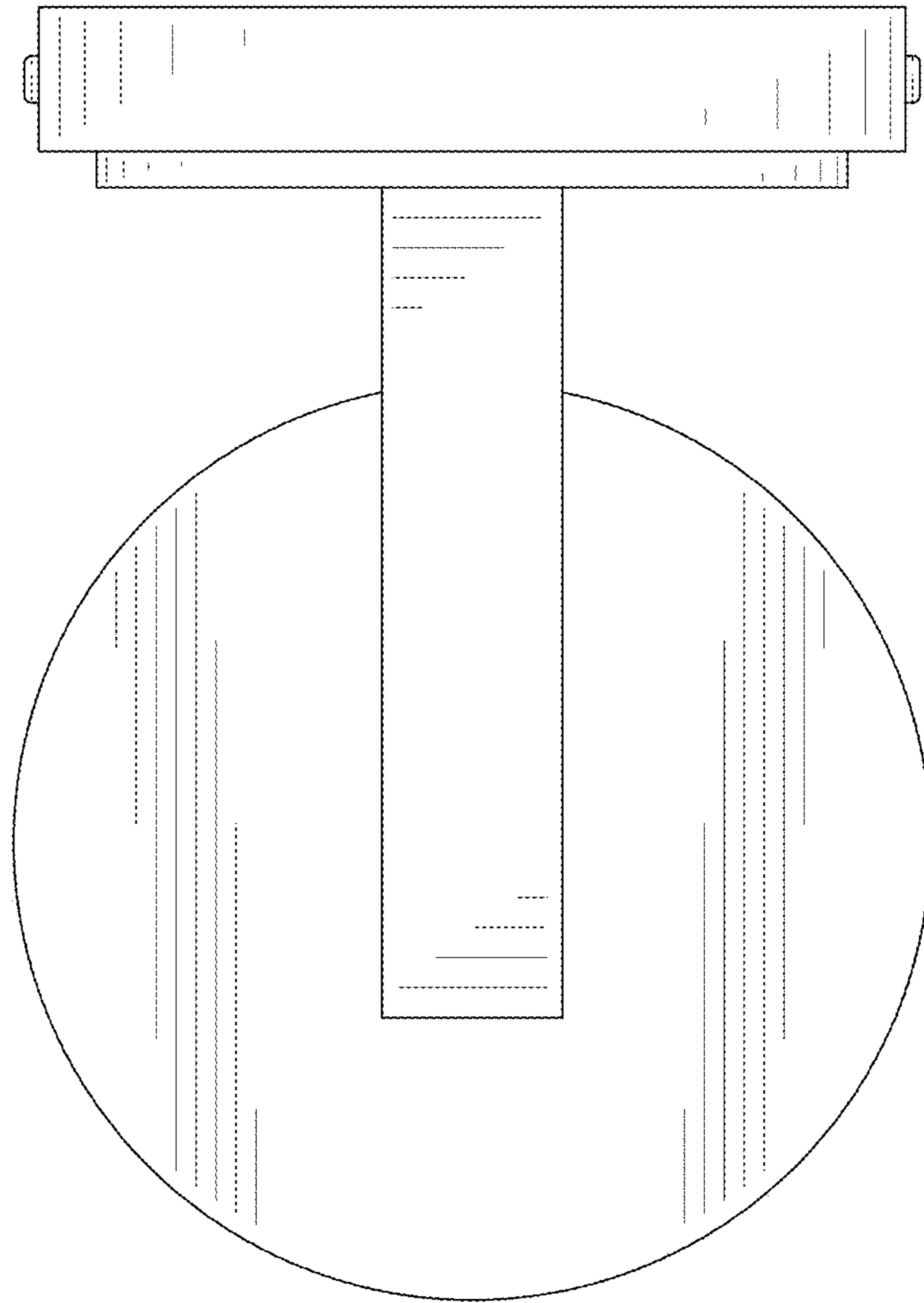


FIG. 7

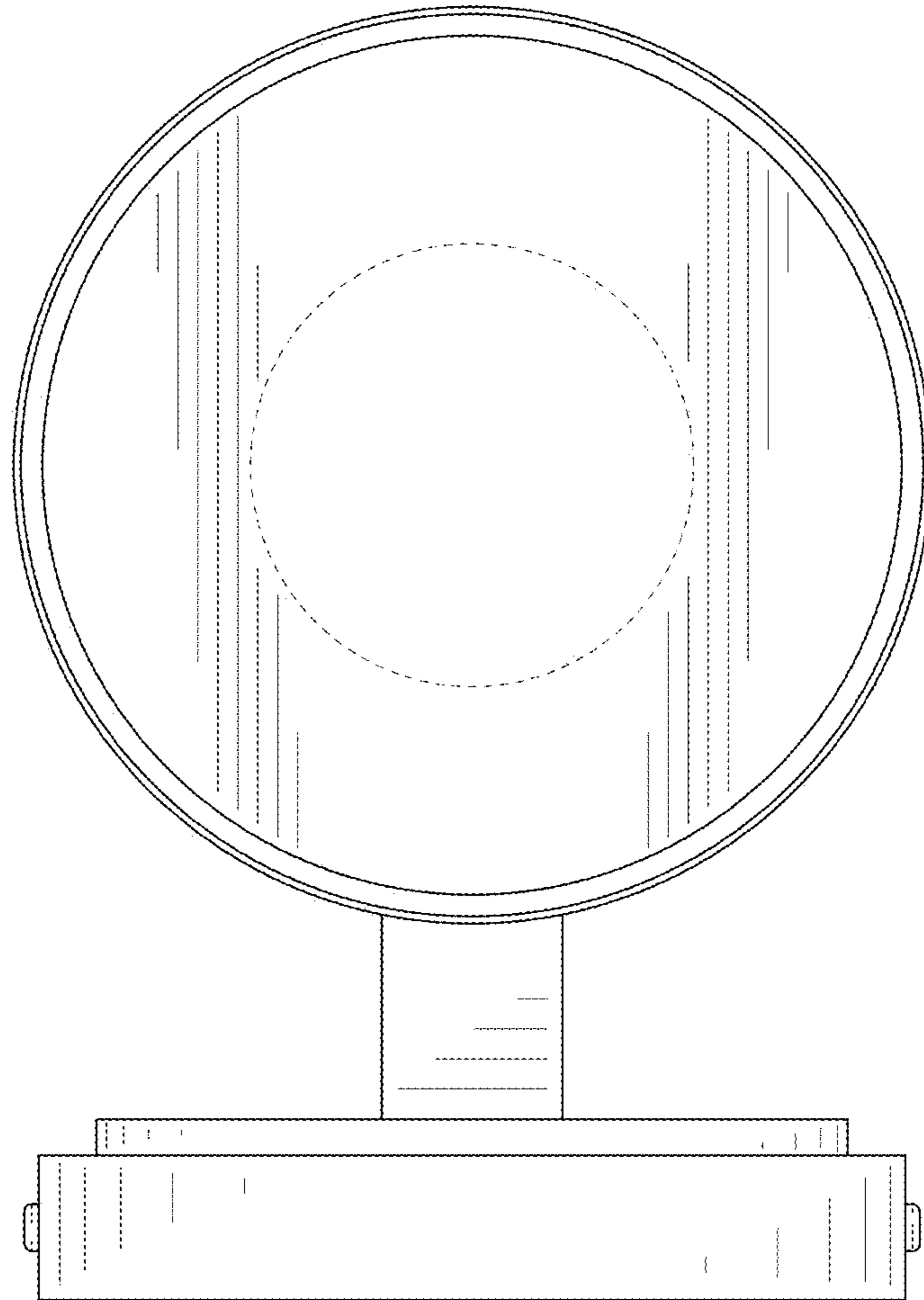


FIG. 8