



US00D984021S

(12) **United States Design Patent**
Zhou

(10) **Patent No.:** **US D984,021 S**

(45) **Date of Patent:** **** Apr. 18, 2023**

(54) **SOLAR WALL LIGHT**

(71) Applicant: **Shenzhen Baliang Technology Co., Ltd., Shenzhen (CN)**

(72) Inventor: **Jianping Zhou, Ji'an (CN)**

(**) Term: **15 Years**

(21) Appl. No.: **29/818,335**

(22) Filed: **Dec. 8, 2021**

(51) **LOC (14) Cl.** **26-05**

(52) **U.S. Cl.**
USPC **D26/87**

(58) **Field of Classification Search**
USPC D26/67, 72, 85-90, 92
CPC F21S 8/00; F21S 8/03; F21S 8/033; F21S 8/036; F21S 9/03; F21S 9/037; F21W 2111/027; F21W 2131/107; F21W 2131/109

See application file for complete search history.

(56) **References Cited**

U.S. PATENT DOCUMENTS

| | | | | |
|--------------|---------|------------|-------|---------|
| D213,279 S * | 1/1969 | Bernadotte | | D26/80 |
| D294,739 S * | 3/1988 | Joerger | | D26/87 |
| D316,459 S * | 4/1991 | Kira | | D26/68 |
| D403,097 S * | 12/1998 | Littman | | D26/87 |
| D465,298 S * | 11/2002 | Gottwald | | D26/85 |
| D487,815 S * | 3/2004 | Hoernig | | D26/92 |
| D495,819 S * | 9/2004 | Krieger | | D26/104 |
| D527,128 S * | 8/2006 | Lo | | D26/40 |
| D583,976 S * | 12/2008 | Horn | | D26/72 |
| D608,760 S * | 1/2010 | Xie | | D14/188 |
| D680,674 S * | 4/2013 | Jepson | | D26/87 |
| D683,494 S * | 5/2013 | Verdin | | D26/137 |
| D693,499 S * | 11/2013 | Bennett | | D26/37 |
| D694,464 S * | 11/2013 | Parres | | |
| D731,694 S * | 6/2015 | Tomlinson | | D26/128 |
| D760,939 S * | 7/2016 | Hoang | | D26/85 |
| D807,555 S * | 1/2018 | Harbs | | D26/73 |

| | | | | | |
|--------------|---------|-------------|-------|------------|--------|
| D841,208 S * | 2/2019 | Calvo Lopez | | F21S 8/033 | D26/40 |
| D866,843 S * | 11/2019 | Benghozi | | D26/87 | |
| D870,714 S * | 12/2019 | Bradley | | D14/240 | |
| D913,561 S * | 3/2021 | Yang | | D26/85 | |
| D928,755 S * | 8/2021 | Jang | | D14/240 | |
| D938,641 S * | 12/2021 | Liang | | D26/85 | |
| D941,518 S * | 1/2022 | Van Duysen | | D26/87 | |
| D952,929 S * | 5/2022 | Van Duysen | | D26/87 | |
| D956,321 S * | 6/2022 | Ellis | | D26/104 | |

(Continued)

OTHER PUBLICATIONS

Osimir, Exterior Wall Mount Light. First available Jun. 16, 2019. Searched on Aug. 4, 2022. [<https://www.amazon.com/dp/B07T1WTC35/>] (Year: 2019).*

(Continued)

Primary Examiner — W. A. Teddy Falloway
Assistant Examiner — Melissa Adriane Santos
(74) *Attorney, Agent, or Firm* — Che-Yang Chen; Law Office of Michael Chen

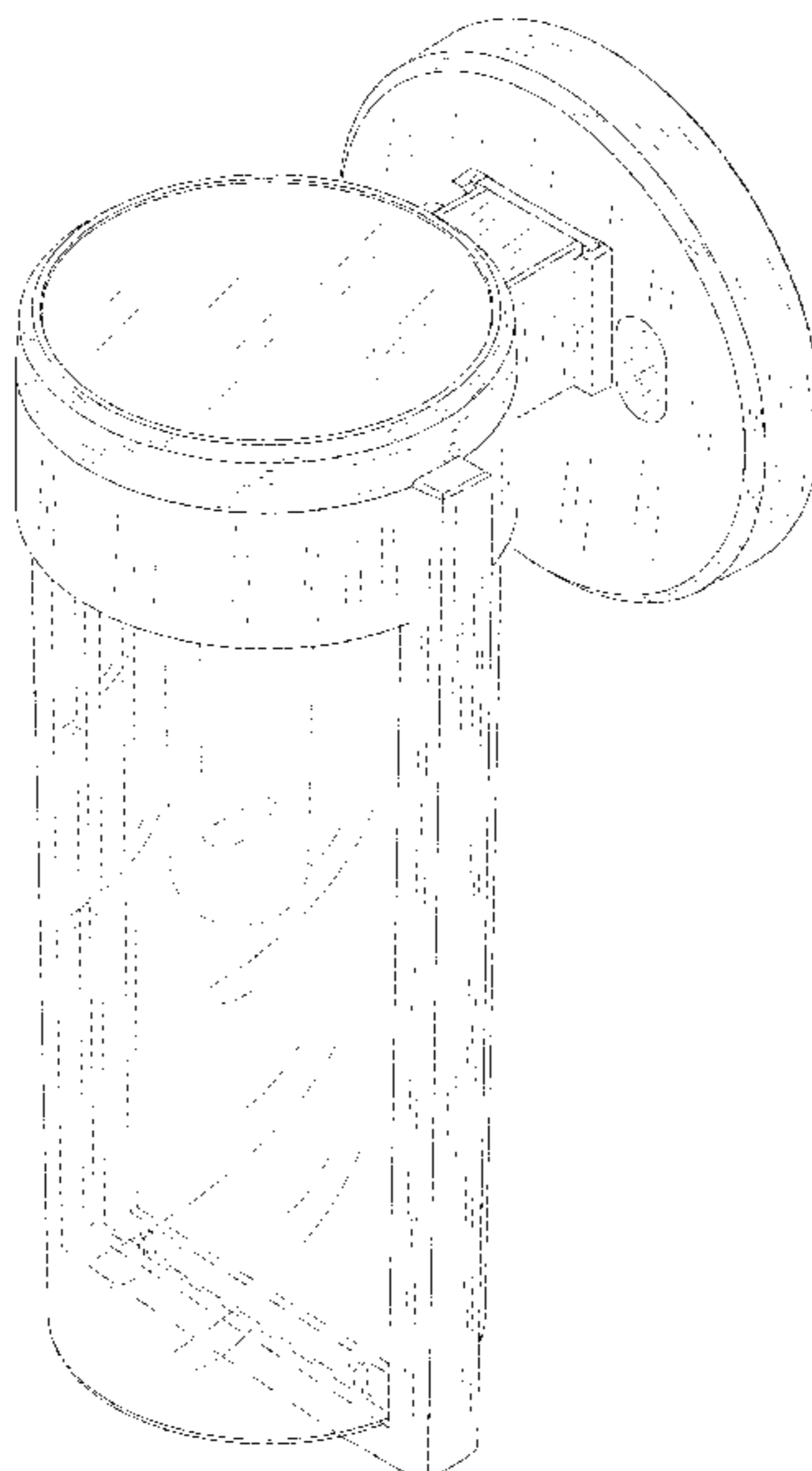
(57) **CLAIM**

The ornamental design for a solar wall light, as shown and described.

DESCRIPTION

FIG. 1 is a top, front and right side perspective view of solar wall light, showing my new design;
FIG. 2 is a front elevational view thereof;
FIG. 3 is a rear elevational view thereof;
FIG. 4 is a left side elevational view thereof;
FIG. 5 is a right side elevational view thereof;
FIG. 6 is a top plan view thereof; and,
FIG. 7 is a bottom plan view thereof.
The broken lines in the drawings illustrate portions of the solar wall light that form no part of the claimed design.

1 Claim, 7 Drawing Sheets



(56)

References Cited

U.S. PATENT DOCUMENTS

2020/0363026 A1* 11/2020 Ko F21S 8/033

OTHER PUBLICATIONS

Globe Electric, Beckham 1-Light Black Outdoor Wall Lantern Sconce. Earliest review Mar. 15, 2019. [<https://www.homedepot.com/p/Globe-Electric-Beckham-1-Light-Black-Outdoor-Wall-Lantern-Sconce-44245/305340646>] (Year: 2019).*

Home Zone, Solar Outdoor Light. First available Feb. 13, 2020. Searched on Aug. 4, 2022. [<https://www.amazon.com/Home-Zone-Security-Decorative-Lights/dp/B084SMR6F1/>] (Year: 2020).*

Letmy, Solar Wall Light. First available Apr. 7, 2022. Searched on Aug. 4, 2022. [<https://www.amazon.com/Outdoor-LETMY-Waterproof-Mount-Solar-Decorative/dp/B09Q8TDCS8/>] (Year: 2022).*

* cited by examiner

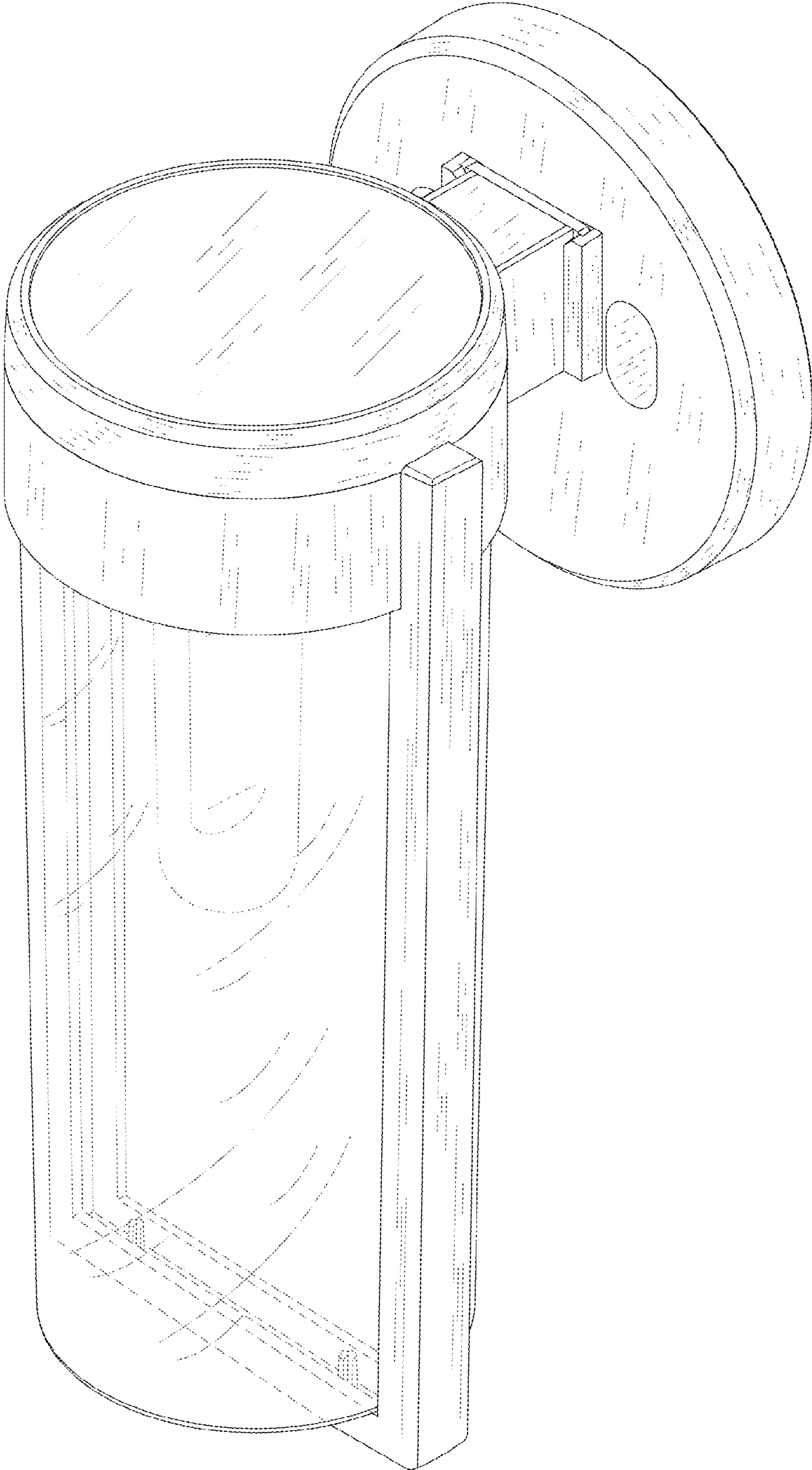


FIG.1

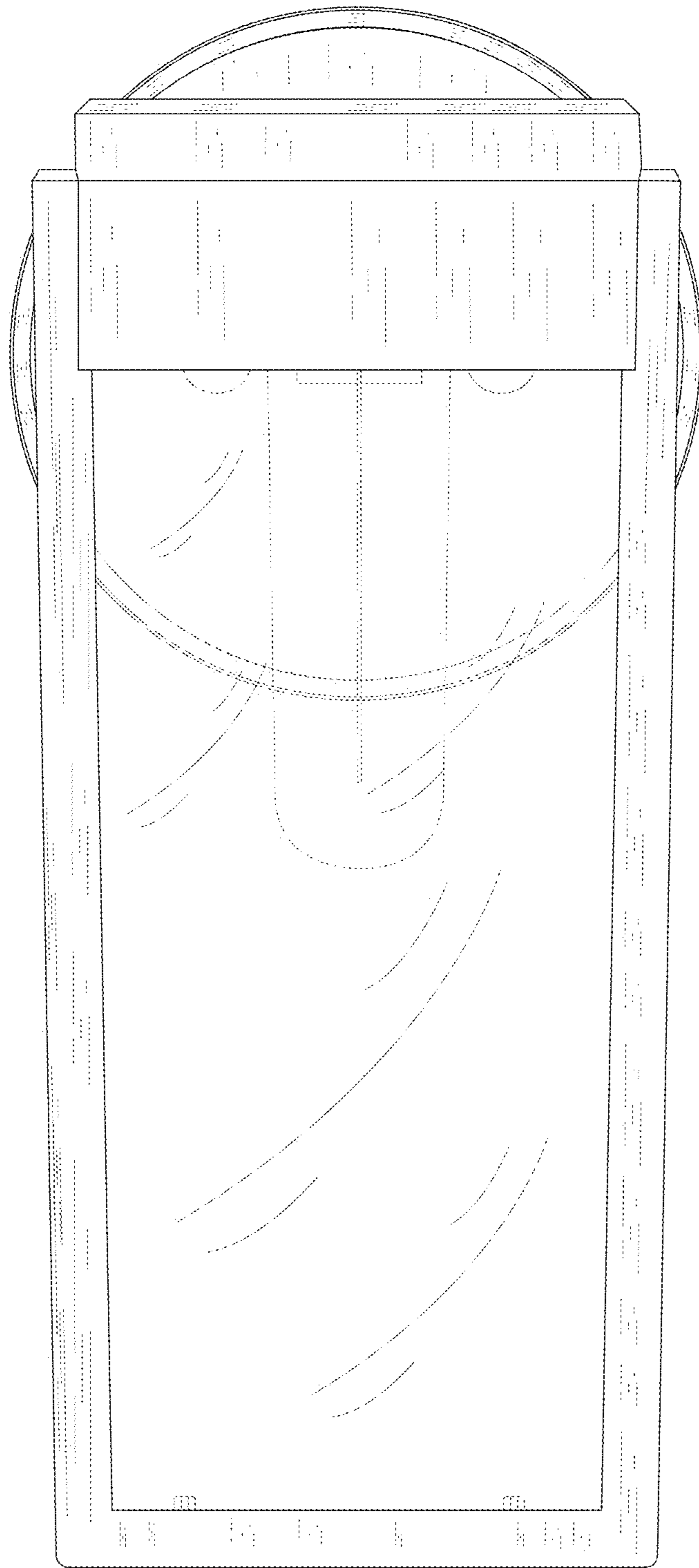


FIG.2

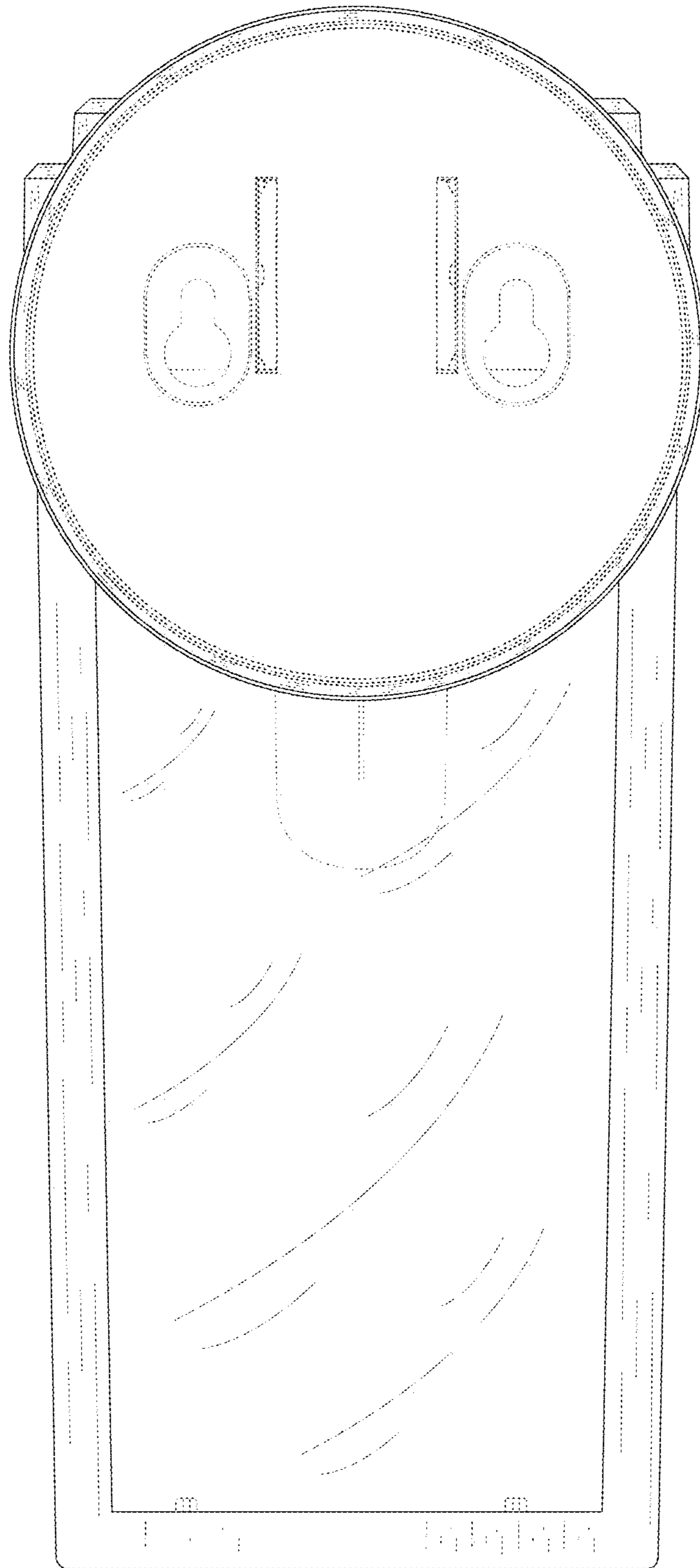


FIG. 3

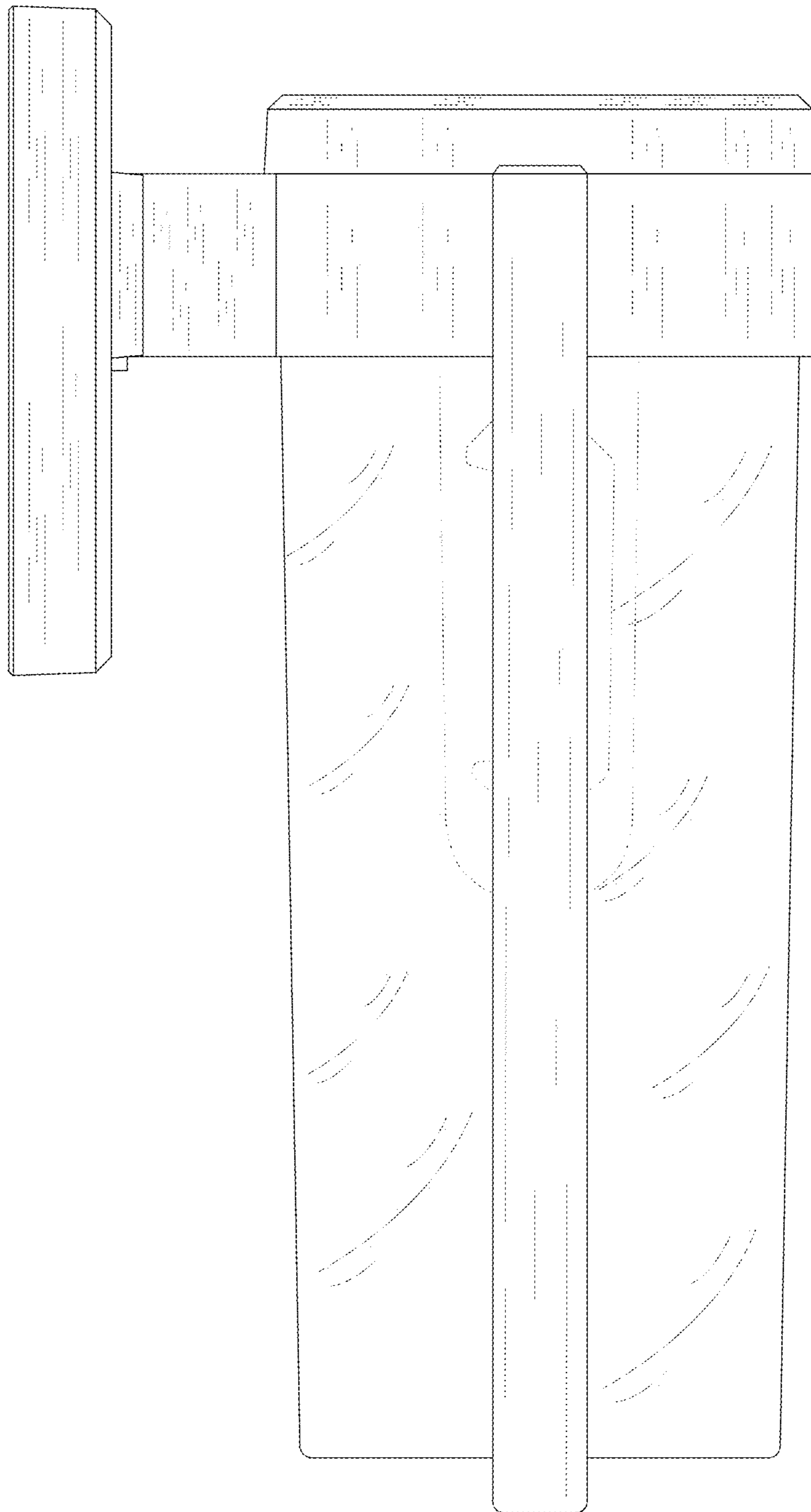


FIG.4

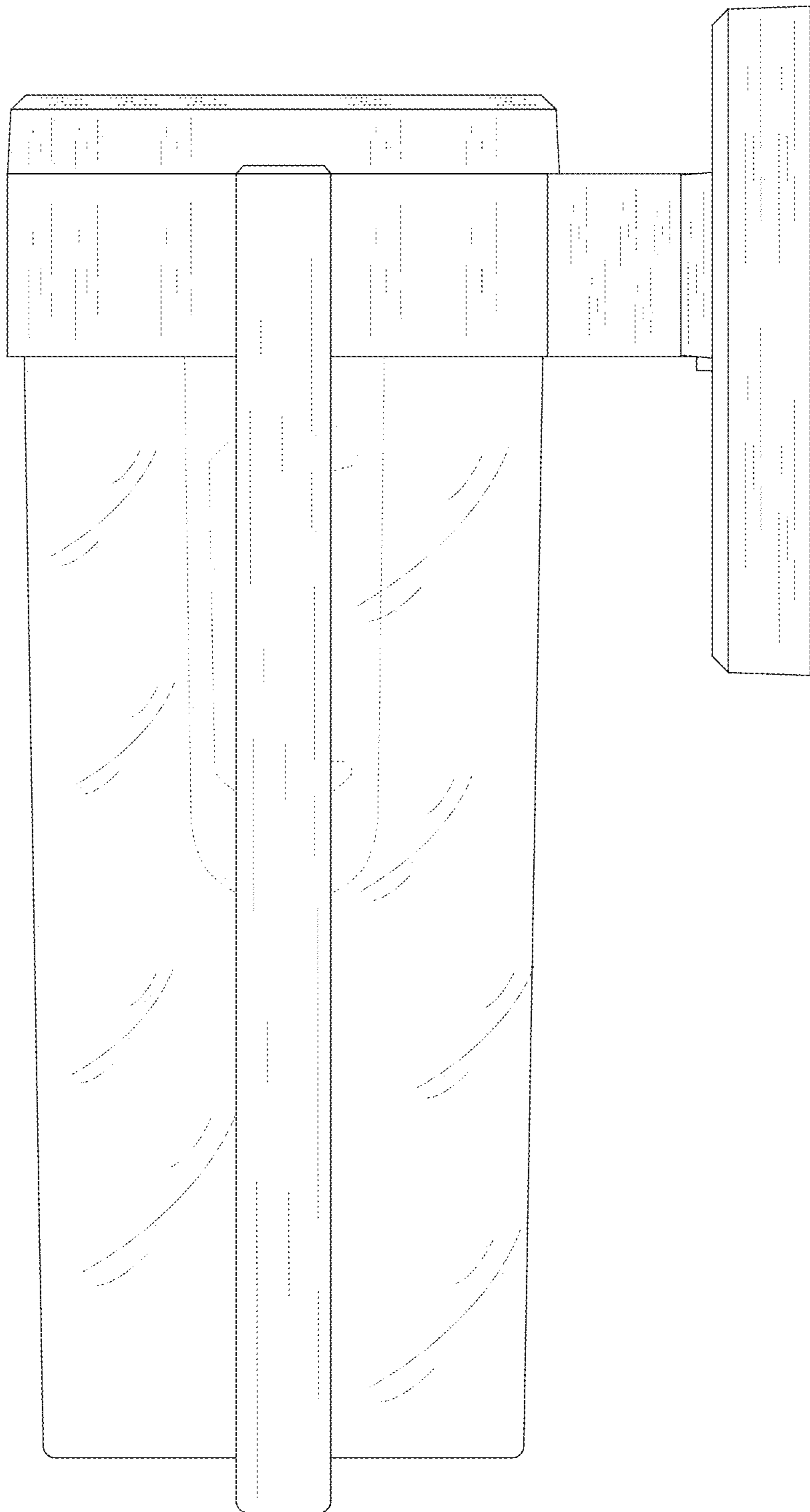


FIG. 5

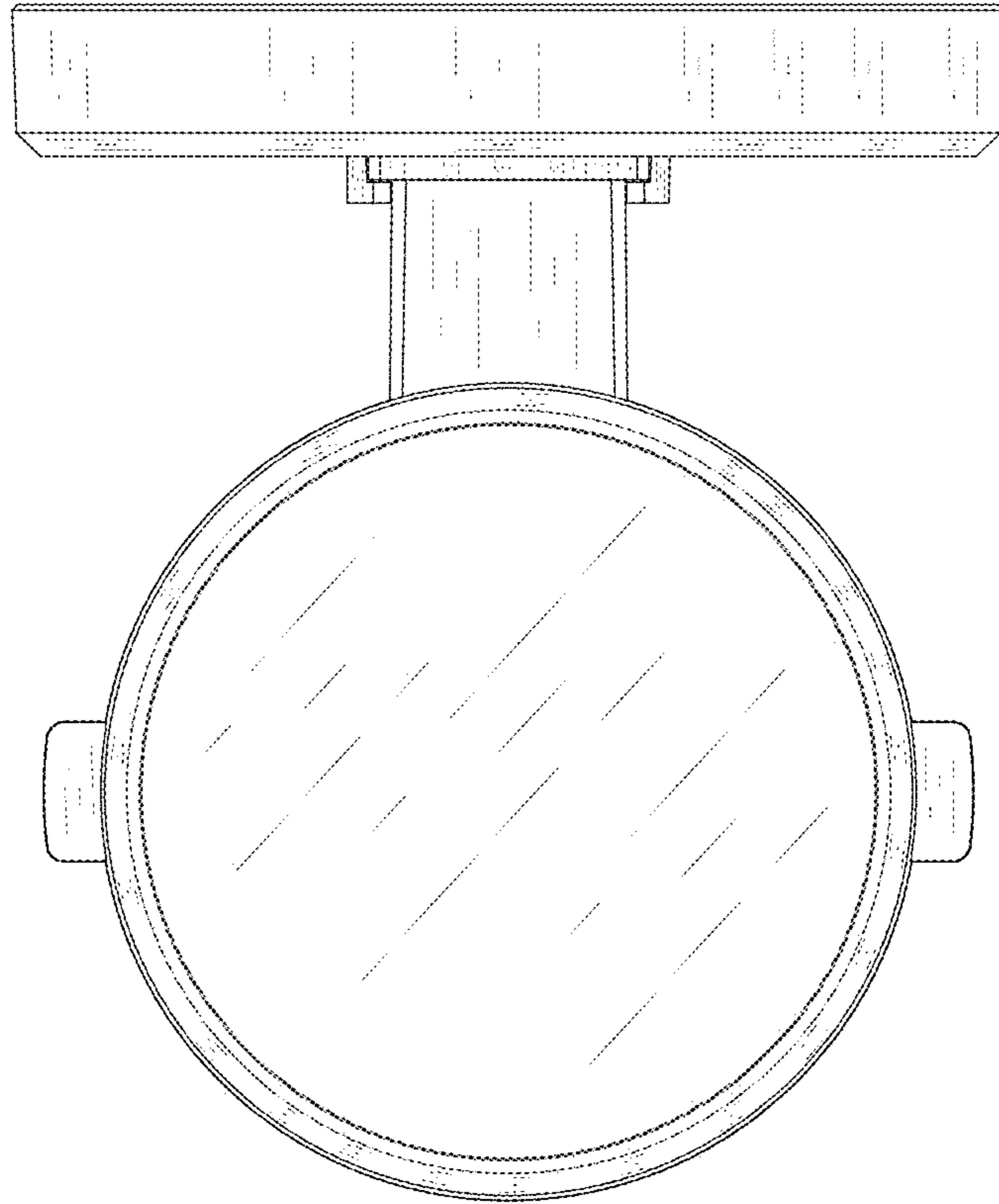


FIG.6

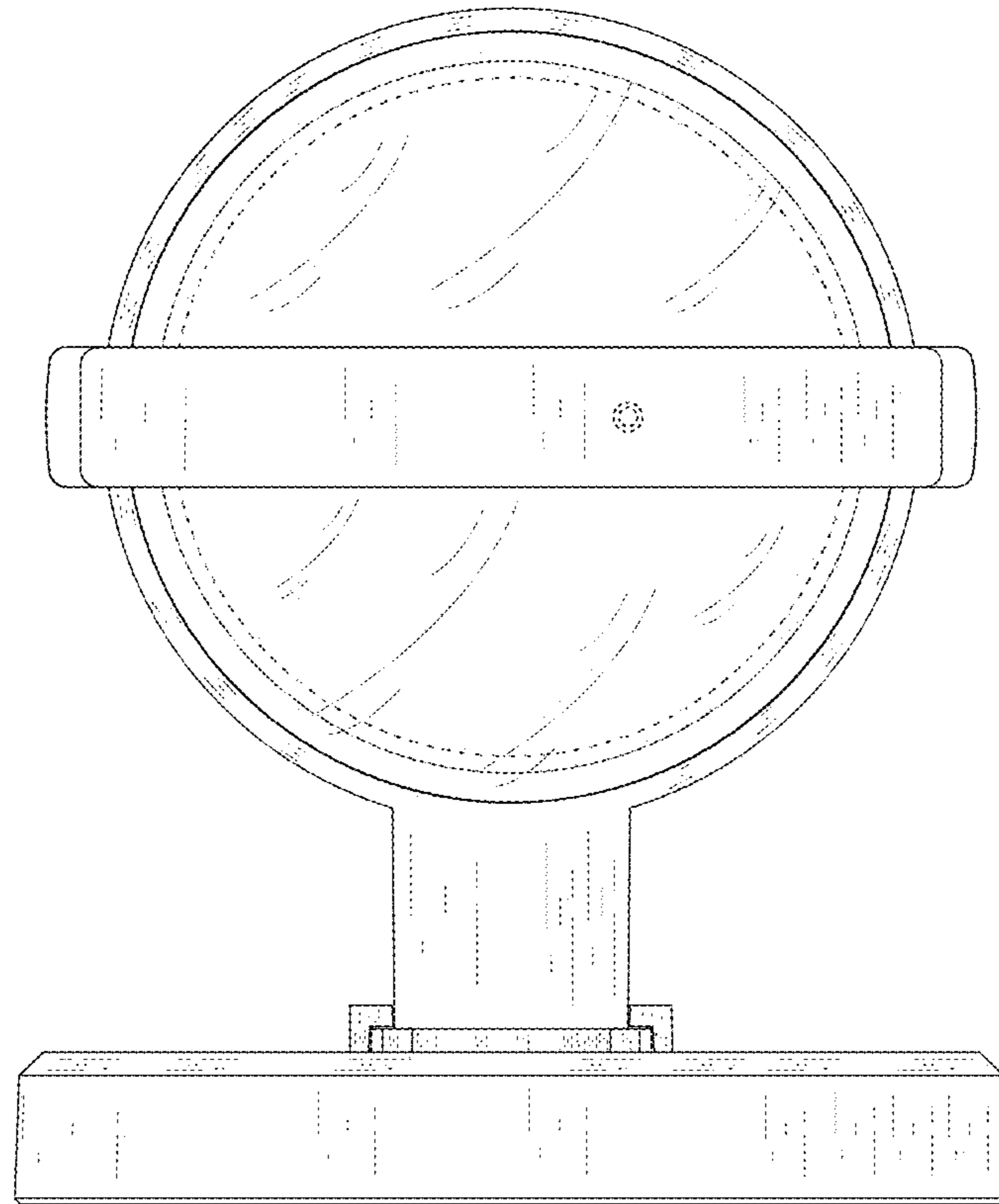


FIG. 7