



US00D984020S

(12) **United States Design Patent** (10) **Patent No.:** **US D984,020 S**
Wen (45) **Date of Patent:** **** Apr. 18, 2023**

(54) **BATHROOM LIGHT FIXTURE**

OTHER PUBLICATIONS

(71) Applicant: **Meizhi Wen**, Pu'ning (CN)

Tipace 2 Lights Industrial Bathroom Vanity Light Fixture, ASIN: B09XHMDT6N. Available from amazon.com Apr. 8, 2022. (Year: 2022).*

(72) Inventor: **Meizhi Wen**, Pu'ning (CN)

Tipace Black & Gold Vintage Bathroom Vanity Light Fixture, ASIN: B09CK6Y6NG. Available from amazon.com Aug. 13, 2021. (Year: 2021).*

(**) Term: **15 Years**

Aipsun Black Vanity Light Fixture, ASIN: B09MK9TN9B. Available from amazon.com Nov. 25, 2021. (Year: 2021).*

(21) Appl. No.: **29/803,850**

Hanass Gold Bathroom Light Fixture, ASIN: B0967GT96Y. Available from amazon.com May 31, 2021. (Year: 2021).*

(22) Filed: **Aug. 16, 2021**

Linea di Liara Lukasa Bathroom Vanity Light Fixture, ASIN: B08Z68JSMX. Available from amazon.com Mar. 16, 2021. (Year: 2021).*

(51) **LOC (14) Cl.** **26-03**

(52) **U.S. Cl.**

USPC **D26/87; D26/86**

(58) **Field of Classification Search**

USPC D26/72, 80, 85, 86, 87, 92

CPC .. F21S 8/033; F21S 8/035; F21S 8/036; F21S

8/046

See application file for complete search history.

* cited by examiner

Primary Examiner — Clare E Heflin

(74) *Attorney, Agent, or Firm* — Justin Lampel

(57) **CLAIM**

The ornamental design for a bathroom light fixture, as shown and described.

(56) **References Cited**

DESCRIPTION

U.S. PATENT DOCUMENTS

D261,436 S *	10/1981	Palka	D26/80
D501,572 S *	2/2005	Lee	D26/80
D514,730 S *	2/2006	Lo	D26/87
D551,380 S *	9/2007	De'Armond	D26/80
D620,174 S *	7/2010	Sabernig	D26/86
D831,875 S *	10/2018	Sperling	D26/92
D882,149 S *	4/2020	Lin	D26/86
D910,899 S *	2/2021	Zheng	D26/86
D923,235 S *	6/2021	Hu	D26/86
D924,461 S *	7/2021	Hu	D26/86
D934,484 S *	10/2021	Ou	D26/80
2013/0077295 A1 *	3/2013	Hayashi	H01L 33/00 362/217.05

FIG. 1 is a perspective view of a bathroom light fixture showing the claimed design;

FIG. 2 is a top plan view thereof;

FIG. 3 is a left side view thereof;

FIG. 4 is a front elevational view thereof;

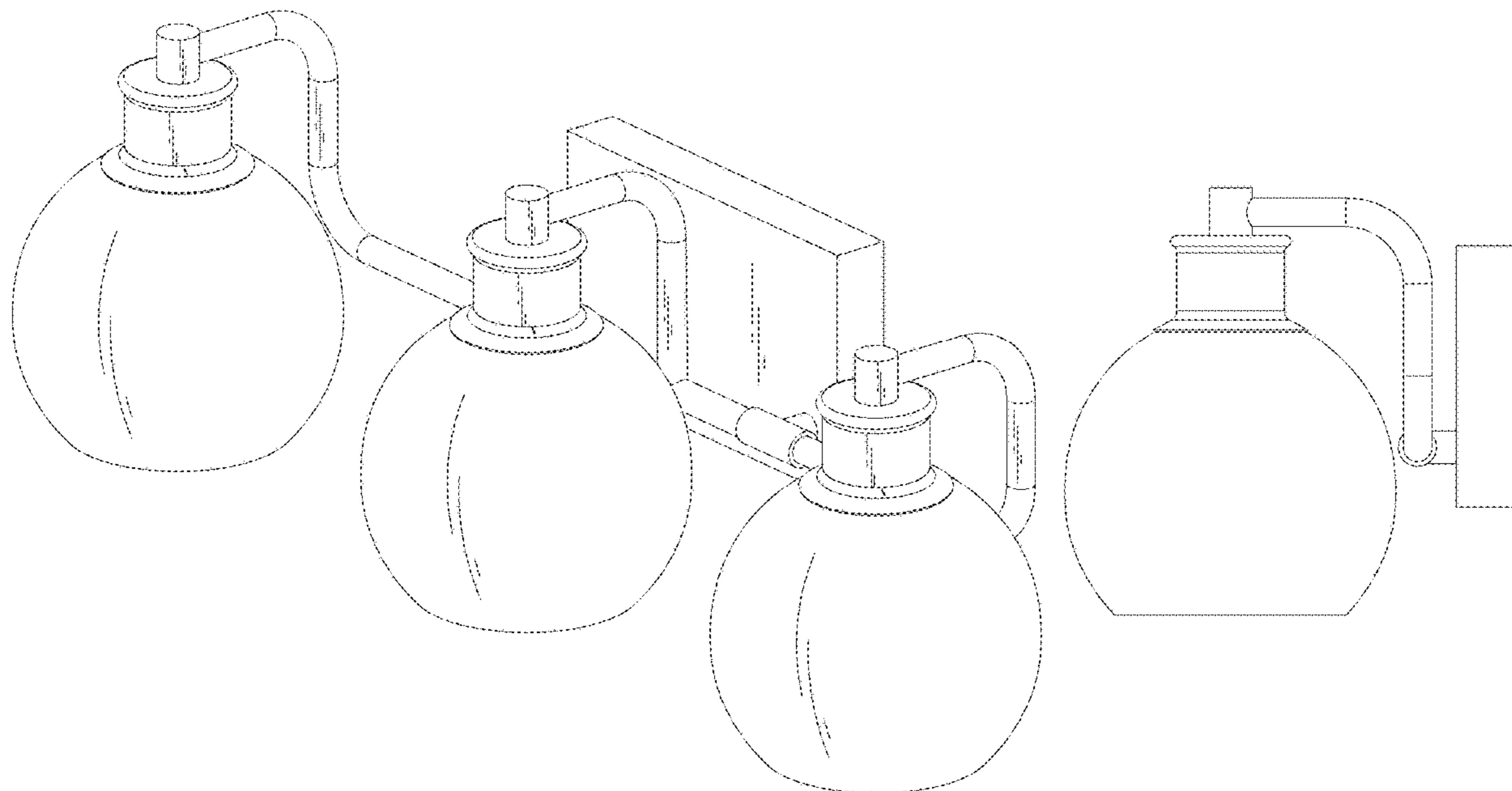
FIG. 5 is a right side view thereof;

FIG. 6 is a rear elevational view thereof; and,

FIG. 7 is a bottom plan view thereof.

The broken lines depict portions of the bathroom light fixture that form no part of the claimed design.

1 Claim, 7 Drawing Sheets



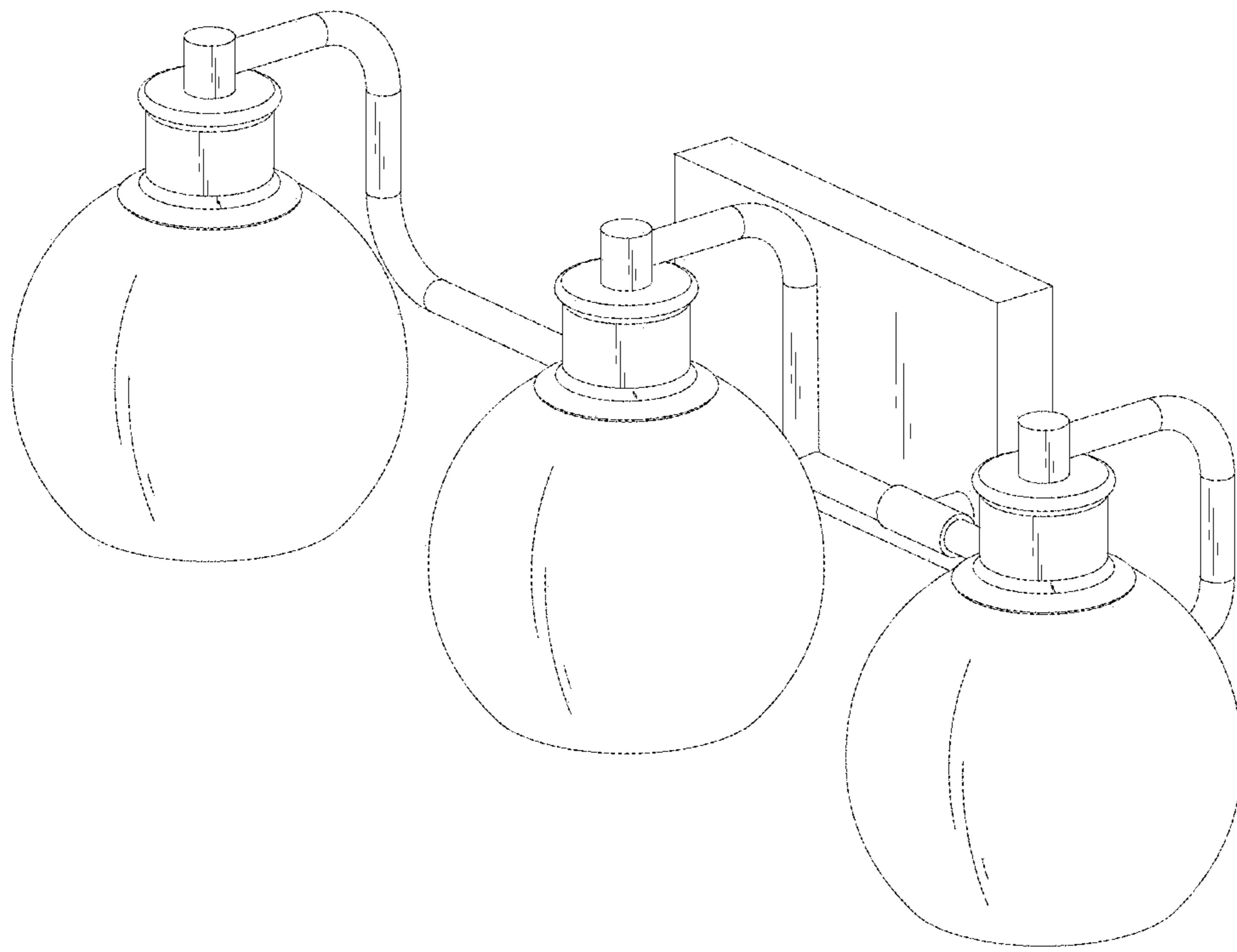


FIG.1

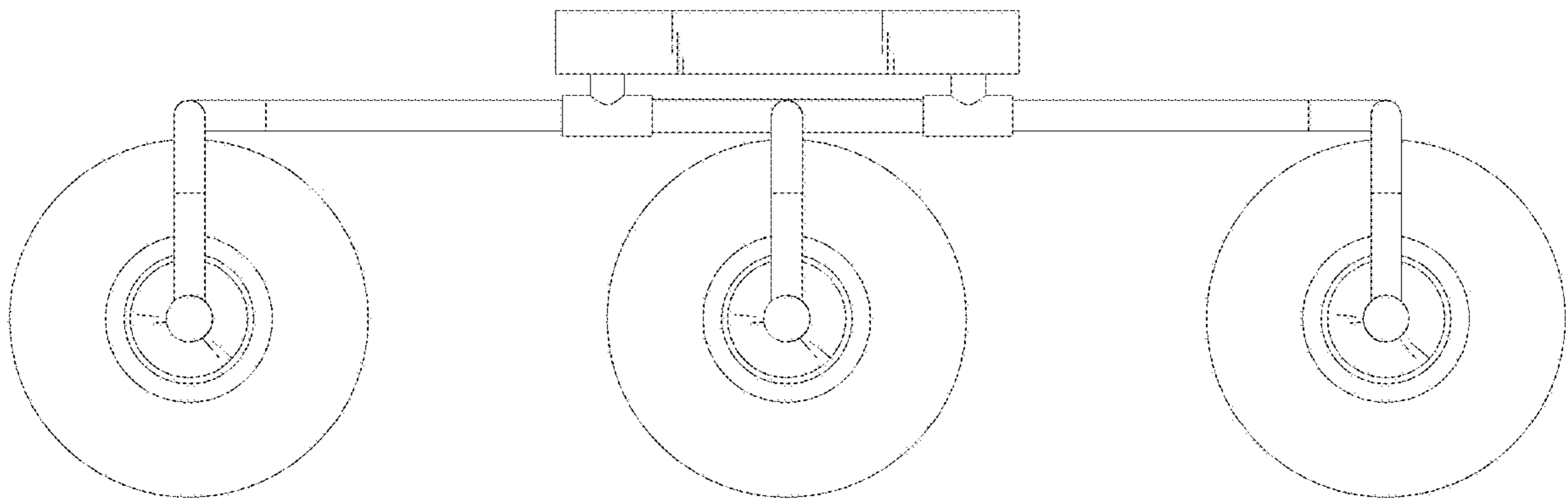


FIG.2

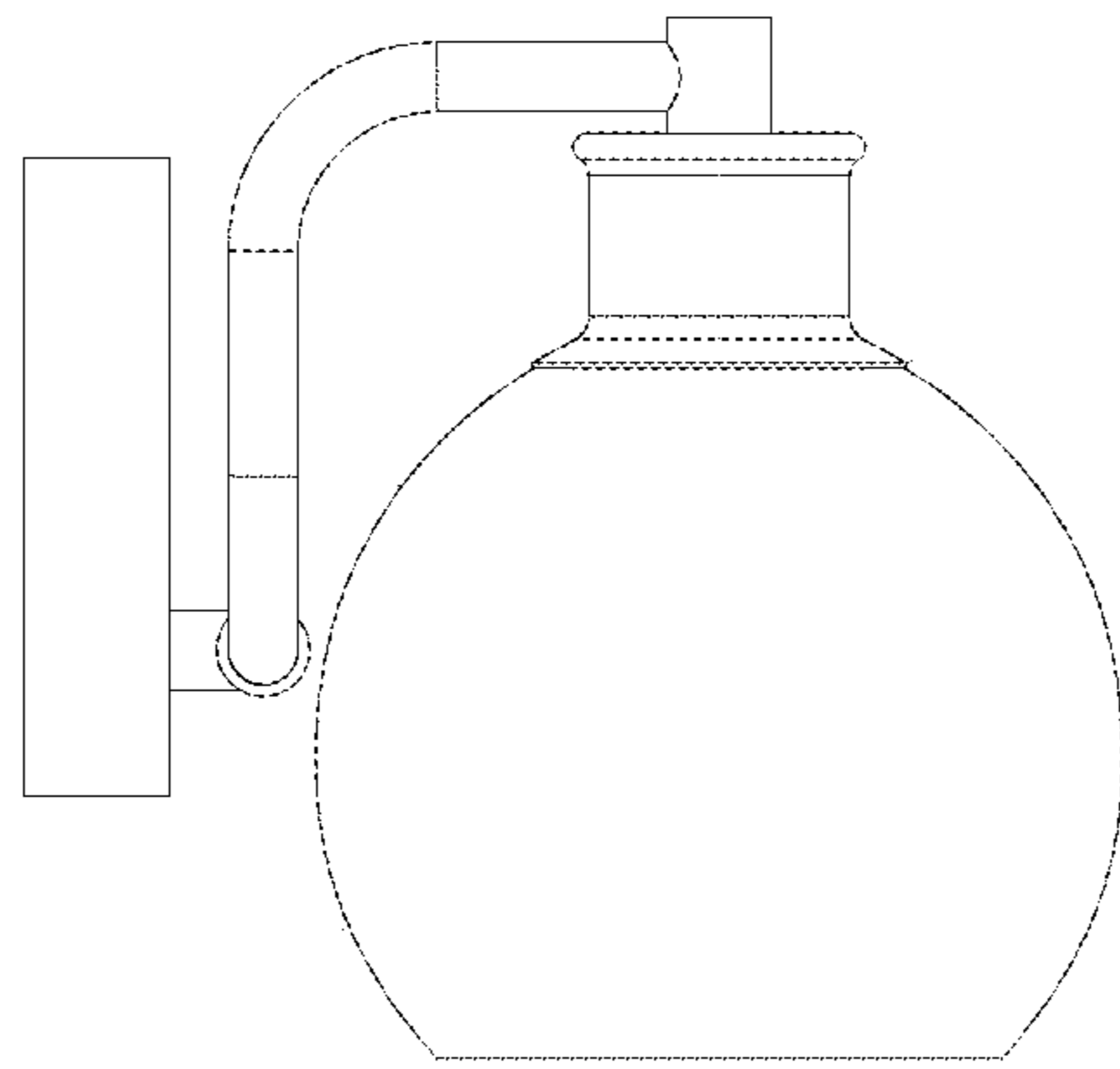


FIG. 3

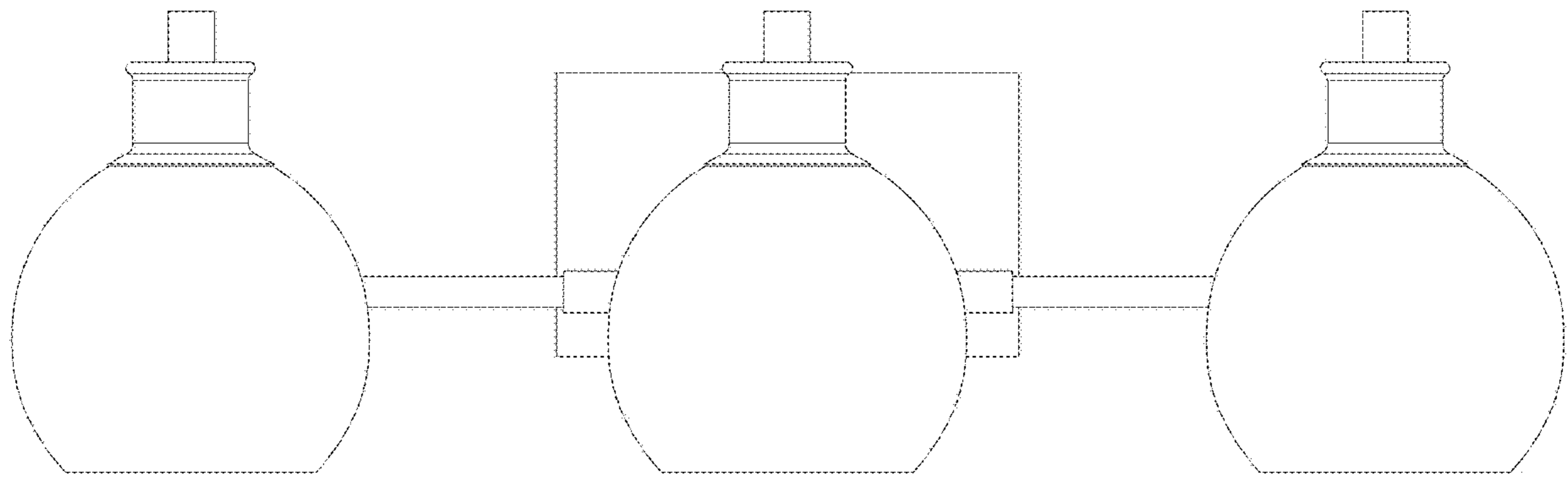


FIG.4

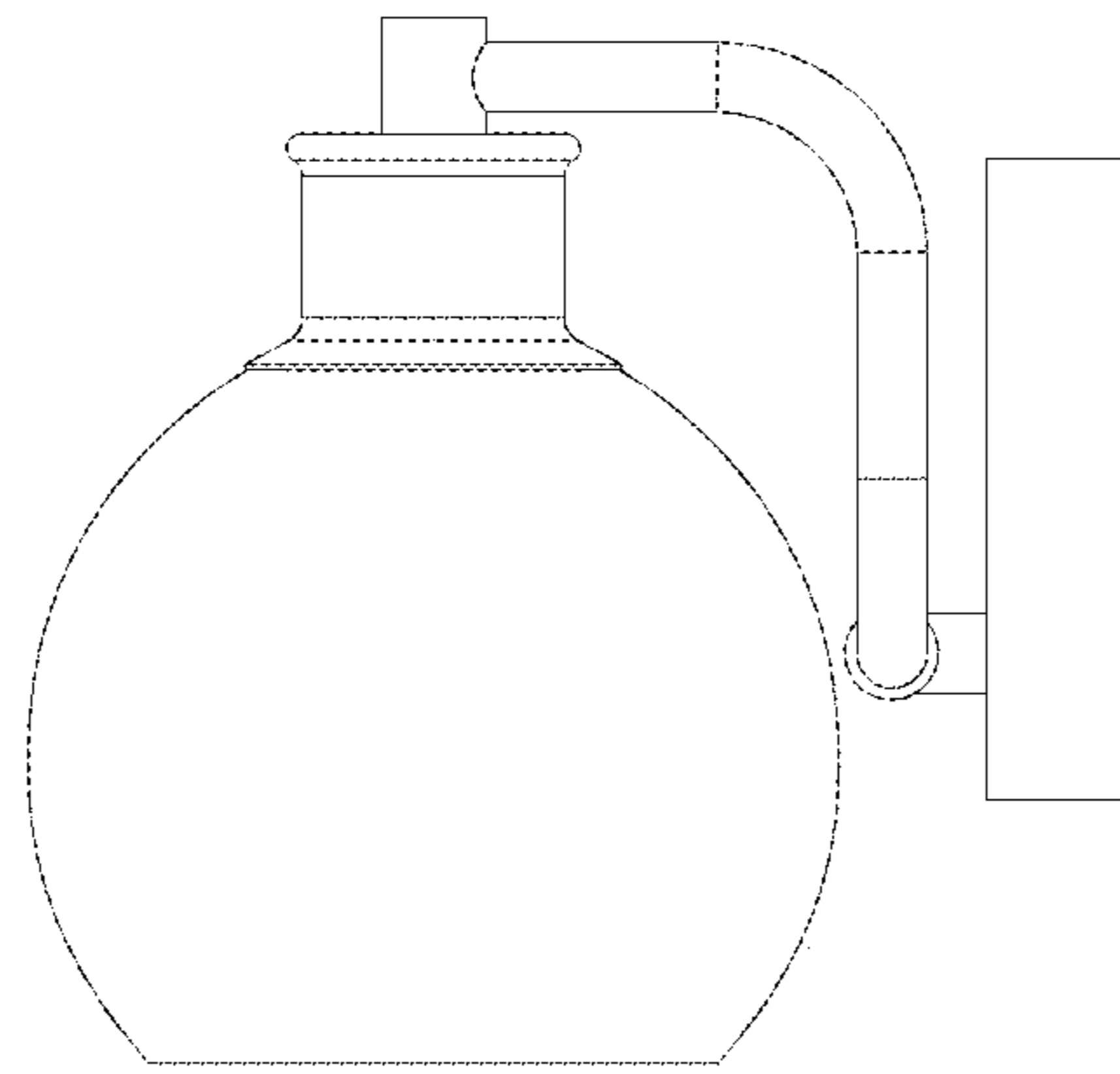


FIG. 5

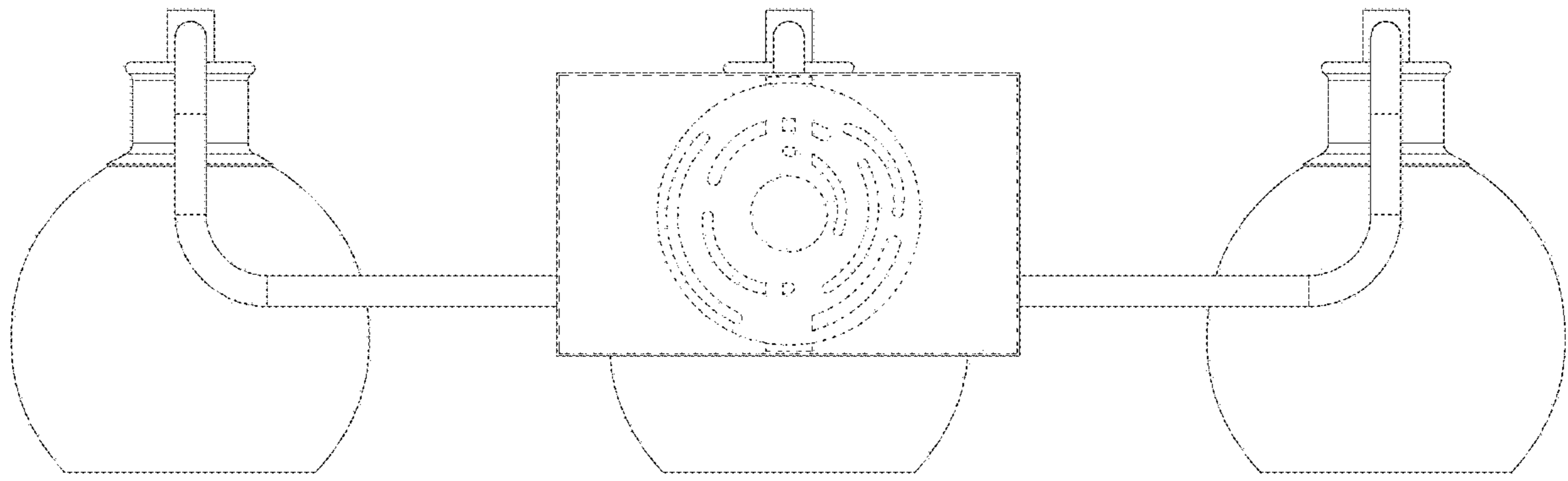


FIG.6

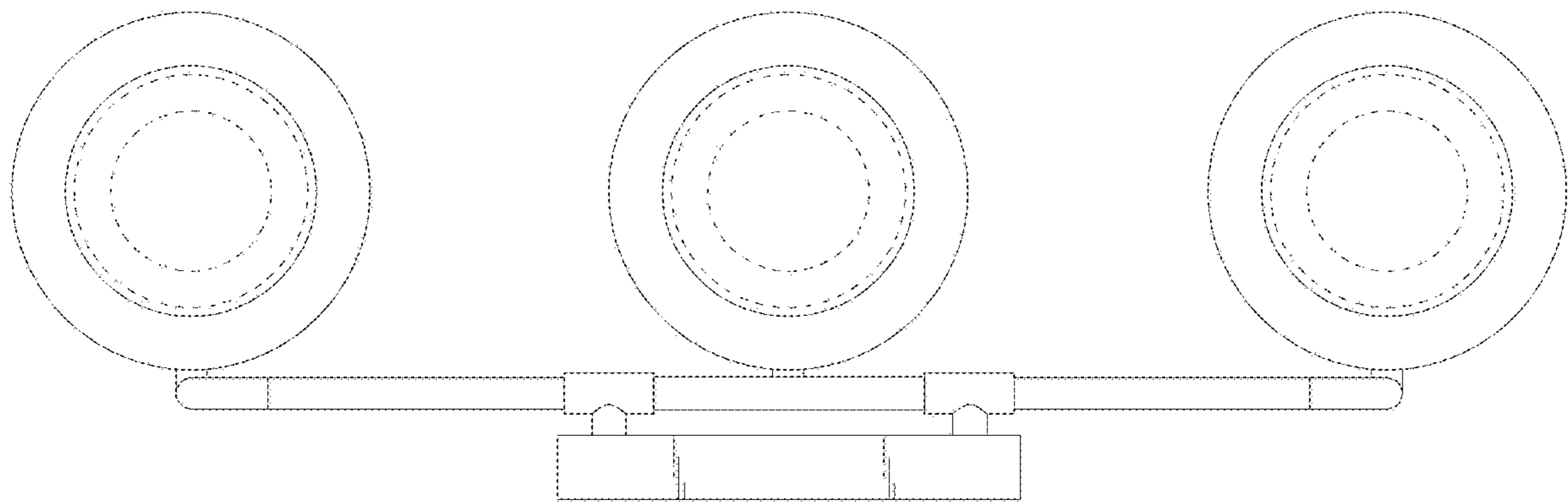


FIG. 7