



US00D984018S

(12) **United States Design Patent**
Xu

(10) **Patent No.:** **US D984,018 S**

(45) **Date of Patent:** **** Apr. 18, 2023**

(54) **LAMP**

(71) Applicant: **Zhiming Xu**, Zhongshan (CN)

(72) Inventor: **Zhiming Xu**, Zhongshan (CN)

(**) Term: **15 Years**

(21) Appl. No.: **29/790,615**

(22) Filed: **Dec. 6, 2021**

(51) **LOC (14) Cl.** **26-05**

(52) **U.S. Cl.**
USPC **D26/85; D26/72**

(58) **Field of Classification Search**
USPC D26/24, 51-52, 60-68, 72-92; D13/102;
D10/106.8
CPC F21Y 2115/10; F21S 9/037; F21S 9/035;
F21S 9/03; F21S 8/081; F21V 23/0414;
F21V 15/01; F21W 2131/10; F21W
2131/109; F21W 2121/00; F21W
2111/10; F21L 4/08; F21L 4/027; F21L
4/00

See application file for complete search history.

(56) **References Cited**

U.S. PATENT DOCUMENTS

D591,440 S	*	4/2009	Maxik	D26/74
D757,984 S	*	5/2016	Breedlove, Sr.	D26/85
D791,994 S	*	7/2017	Liu	D10/106.8
D808,053 S	*	1/2018	Gordin	D26/63
D825,804 S		8/2018	Okuda		
D864,459 S	*	10/2019	Pan	D26/85
D875,990 S	*	2/2020	Zeng	D13/102
D885,628 S		5/2020	Amin		
D890,402 S	*	7/2020	Liu	D26/85
D891,360 S	*	7/2020	Wong	H02S 40/36
					D13/102
D893,074 S		8/2020	Finocchiaro		

D893,075 S	*	8/2020	Kong	D26/72
D897,588 S	*	9/2020	Liu	D26/85
D923,854 S	*	6/2021	Huang	D26/85
D926,348 S	*	7/2021	He	D26/85
D938,638 S	*	12/2021	Chen	D26/85
D939,752 S	*	12/2021	Luo	D26/85
D940,372 S	*	1/2022	Loew	D26/85
D940,941 S	*	1/2022	Wu	D26/72
D945,677 S	*	3/2022	Xiao	D26/72
D950,828 S	*	5/2022	Kong	D26/85
D963,226 S	*	9/2022	Kong	D13/102

* cited by examiner

Primary Examiner — Mark A Goodwin

Assistant Examiner — William B Melliar

(74) *Attorney, Agent, or Firm* — Runit Ranjit Kanakia

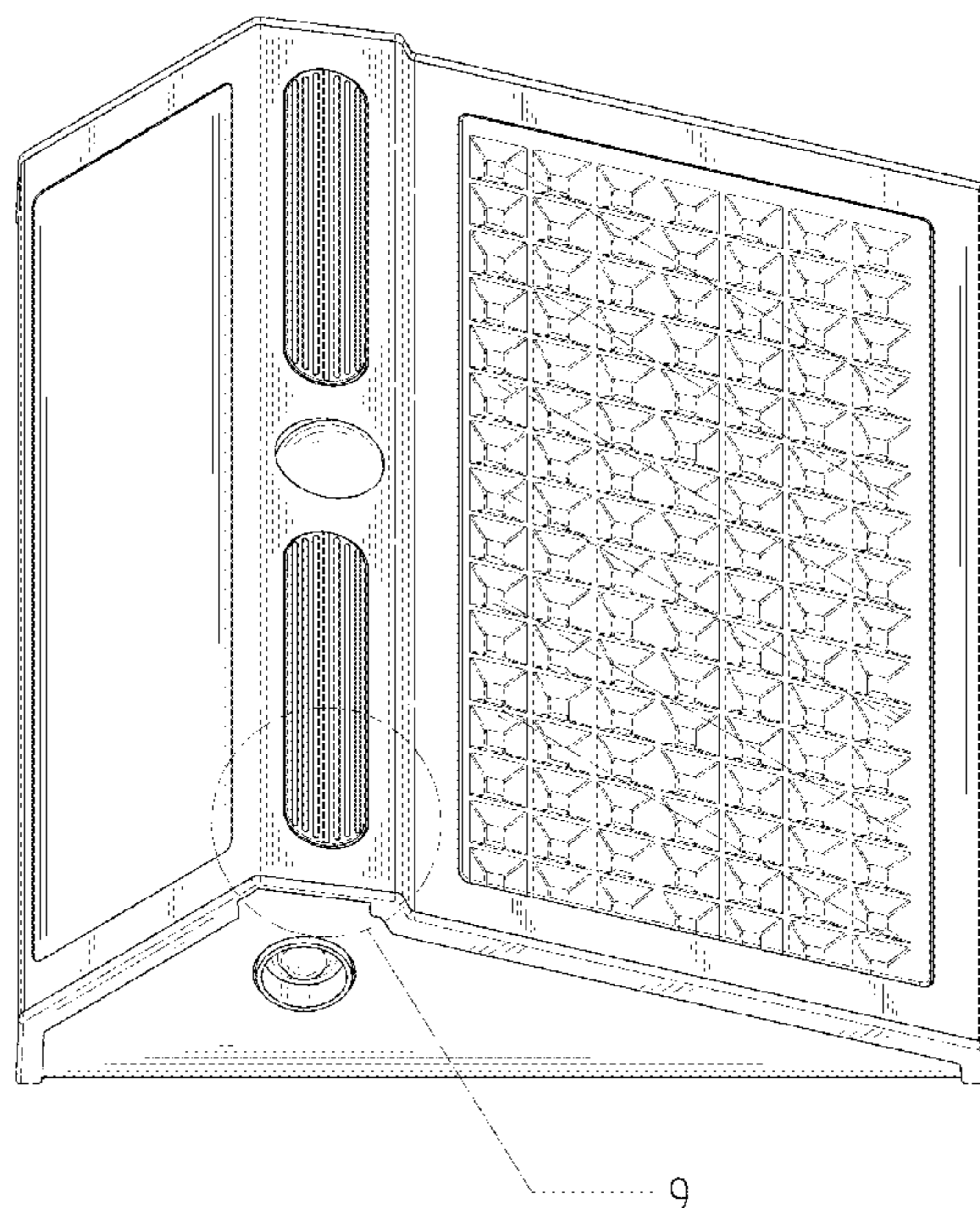
(57) **CLAIM**

The ornamental design for a lamp, as shown and described.

DESCRIPTION

FIG. 1 is a first perspective view of a lamp showing my new design;
 FIG. 2 is a second perspective view thereof;
 FIG. 3 is a front view thereof;
 FIG. 4 is a back view thereof;
 FIG. 5 is a left side view thereof;
 FIG. 6 is a right side view thereof;
 FIG. 7 is a top view thereof;
 FIG. 8 is a bottom view thereof; and,
 FIG. 9 is an enlarged view of the selected portion in FIG. 1.
 The broken lines shown in the drawings depict portions of the lamp in which the design is embodied that form no part of the claimed design. The additional dash-dot-dash lines surrounding the detail views in FIGS. 1 and 9 are for annotative purposes only and form no part thereof.

1 Claim, 9 Drawing Sheets



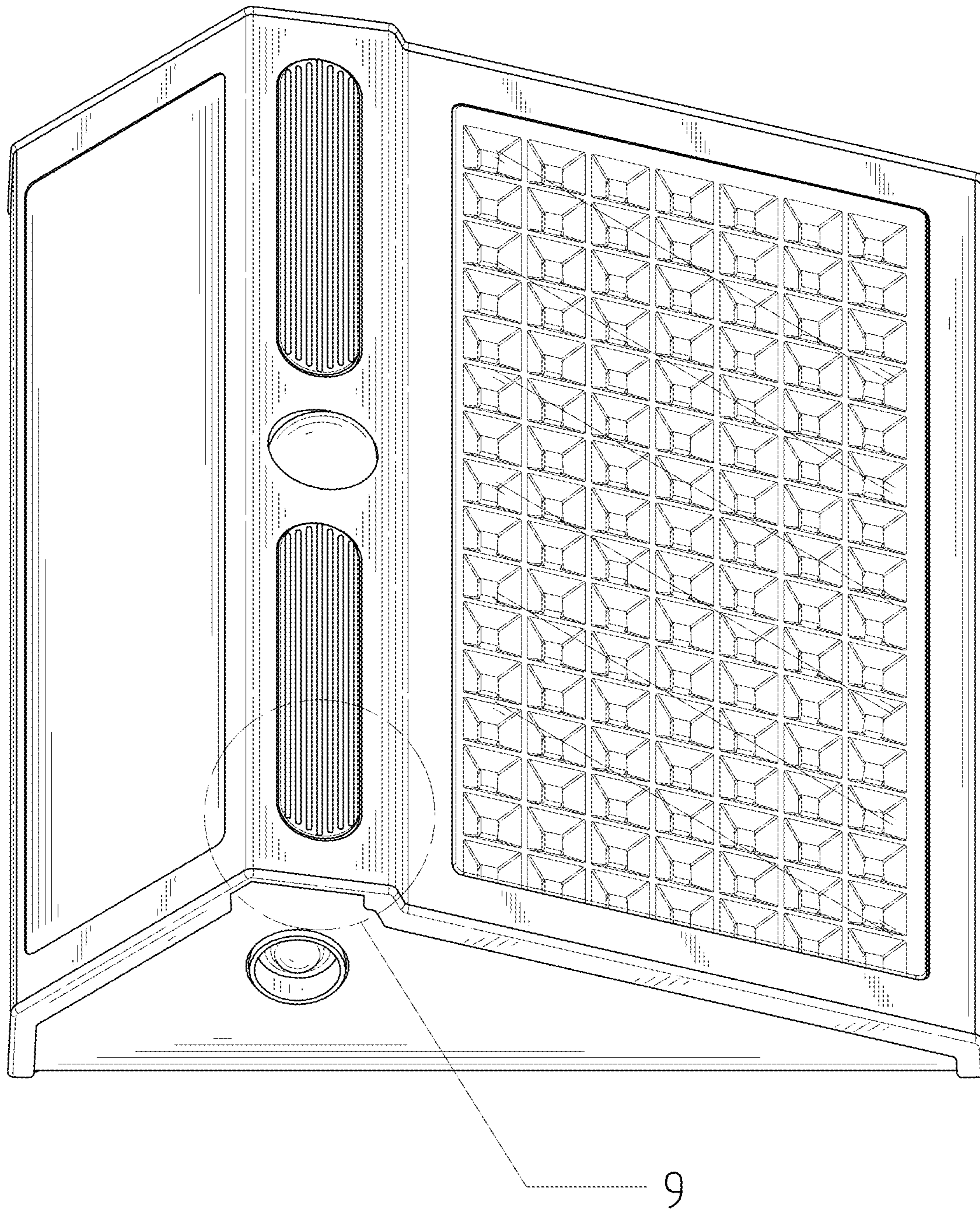


FIG. 1

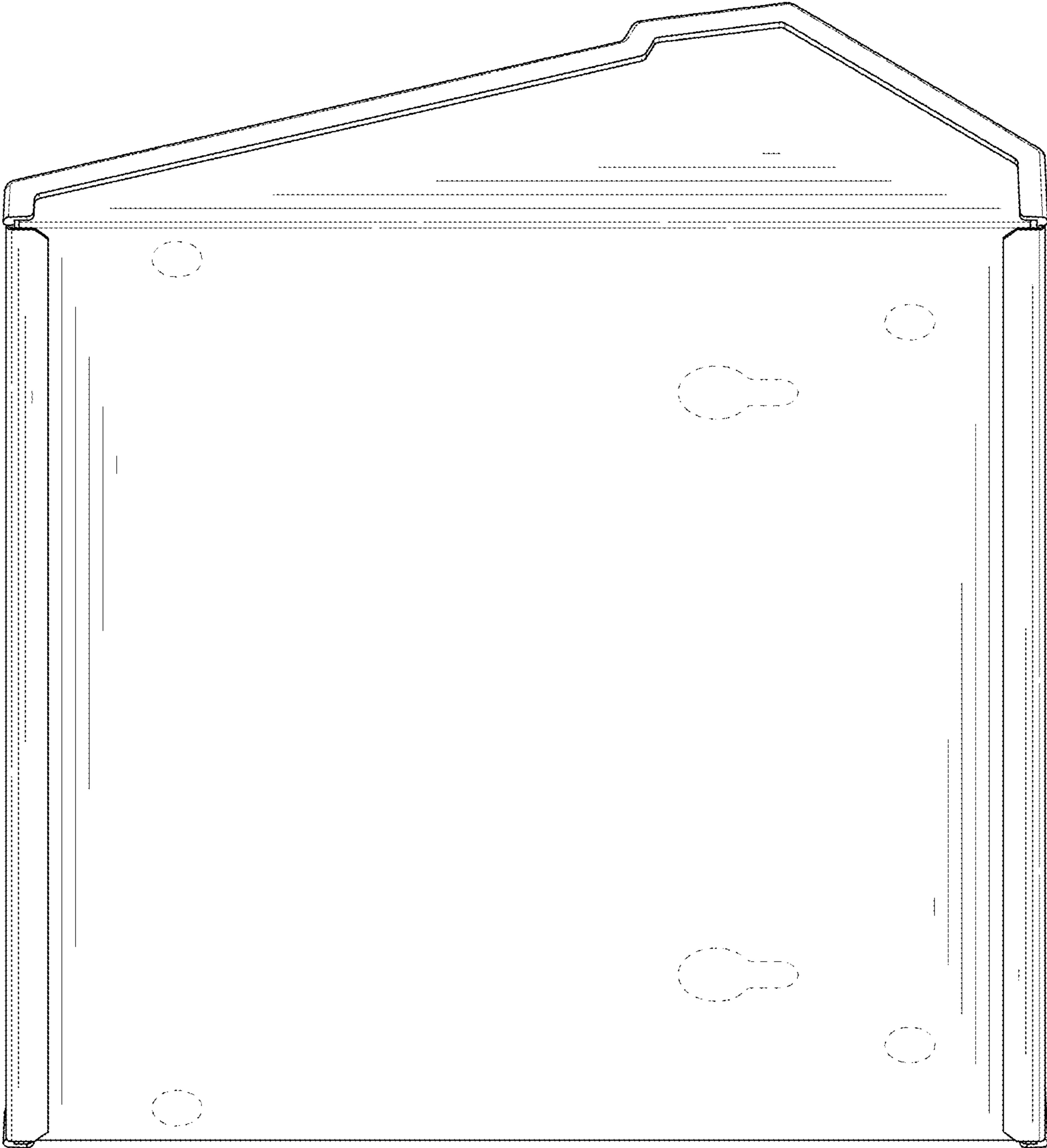


FIG. 2

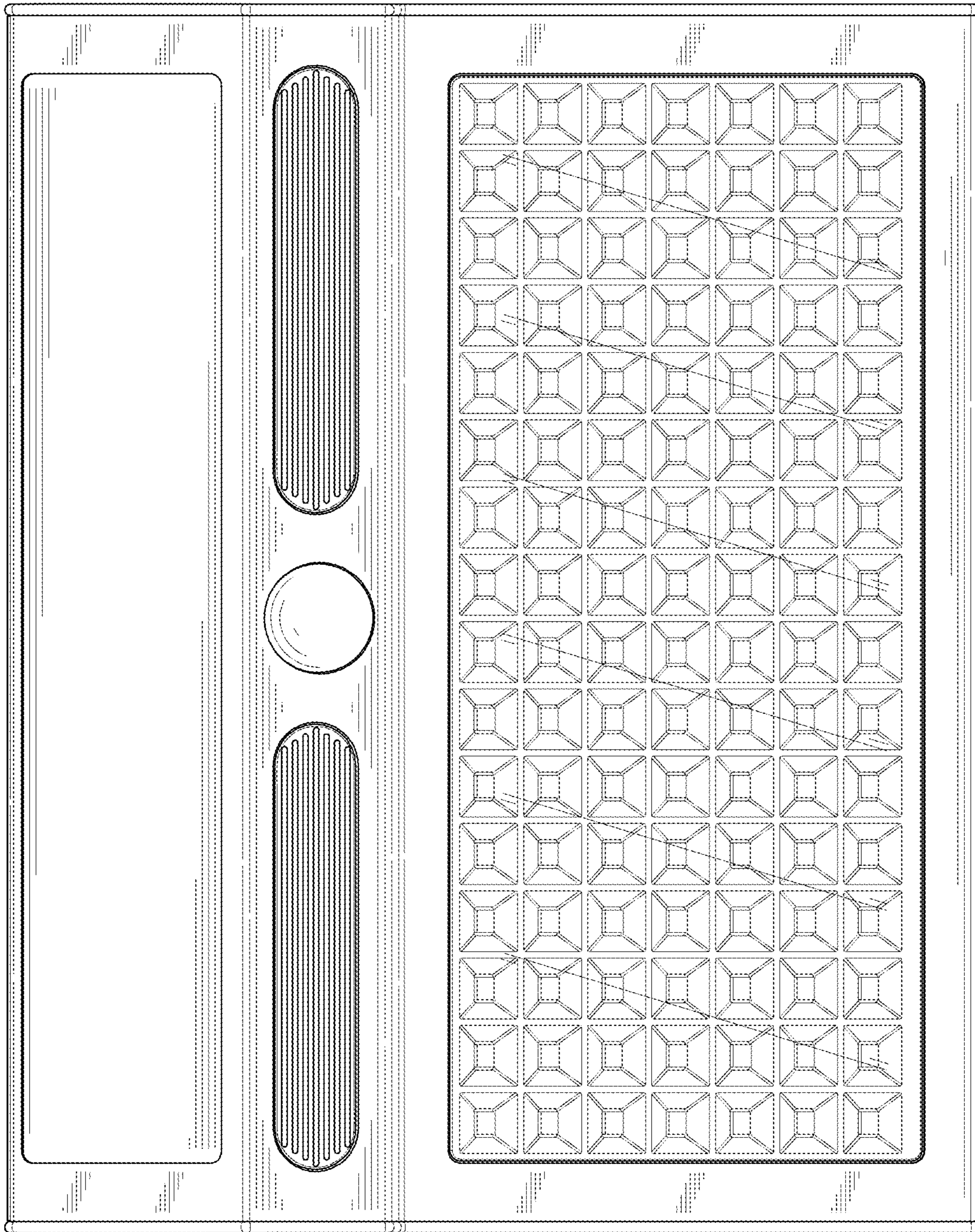


FIG. 3

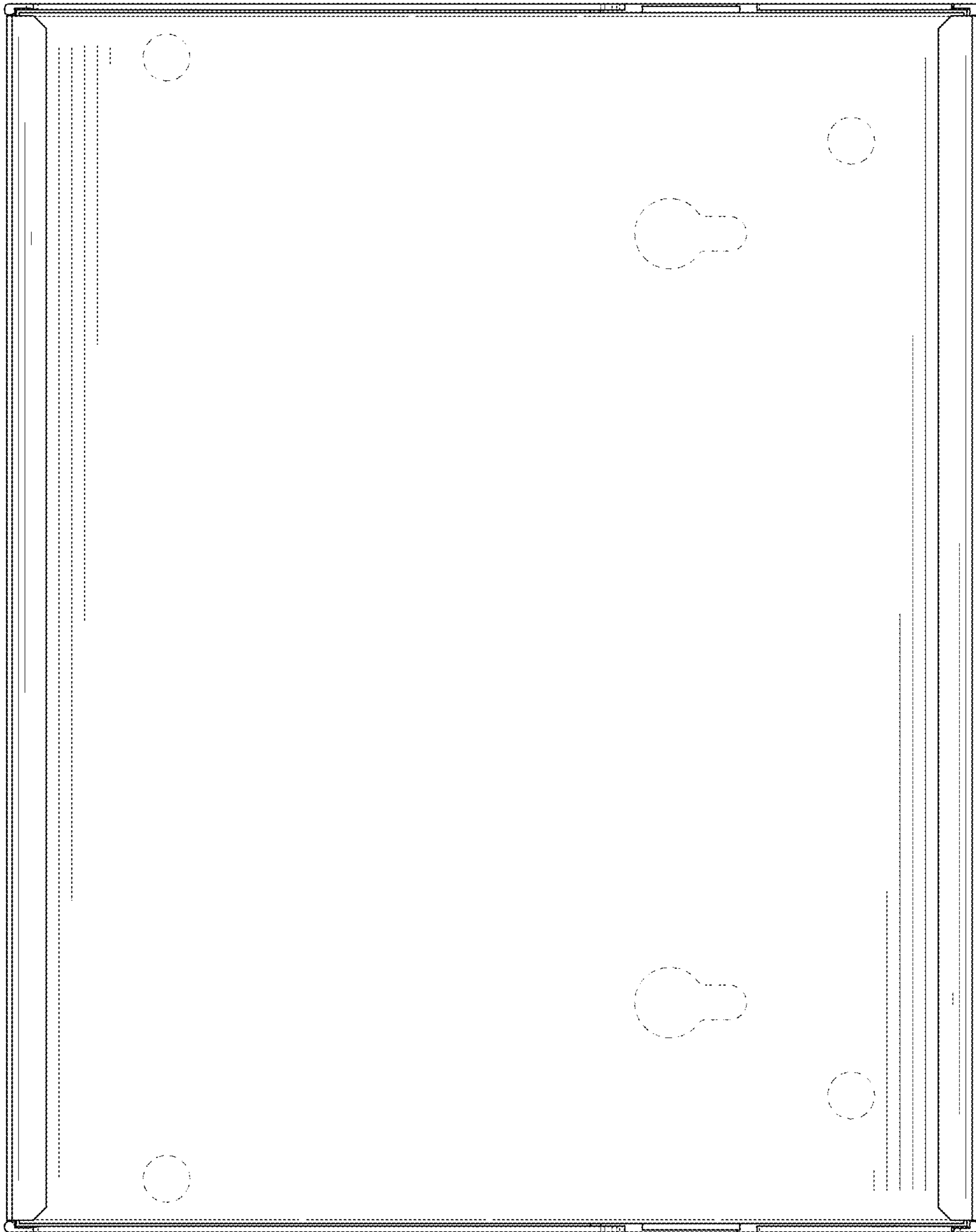


FIG. 4

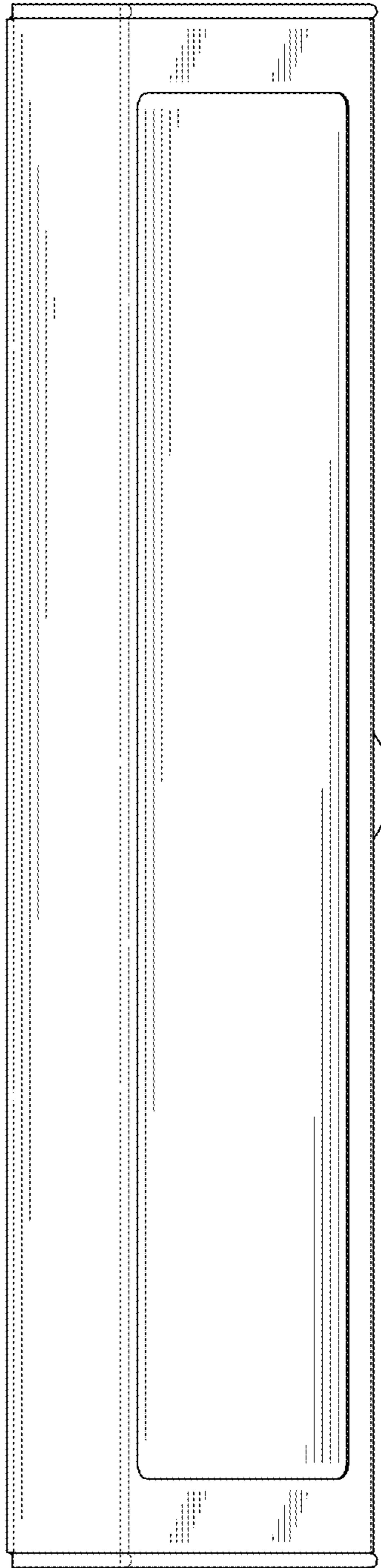


FIG. 5

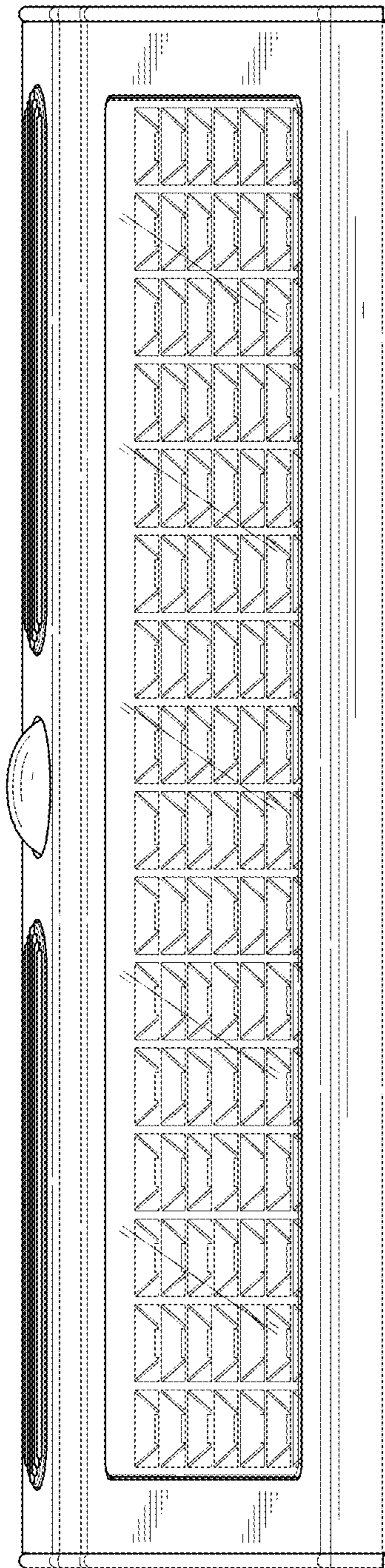


FIG. 6

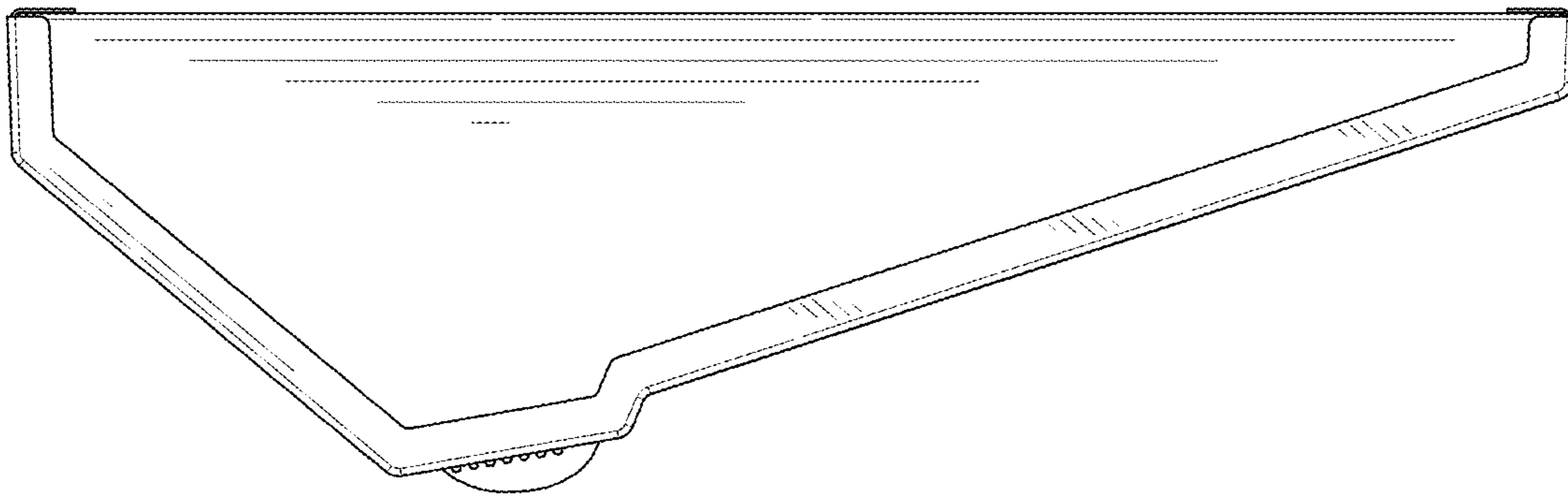


FIG. 7

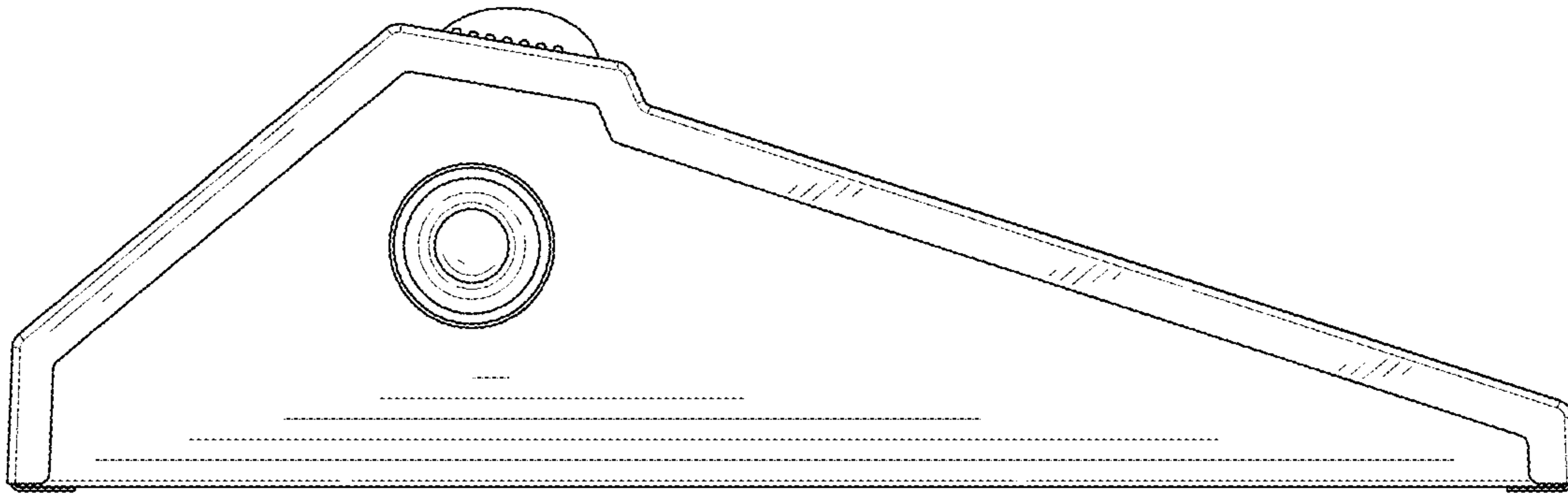


FIG. 8

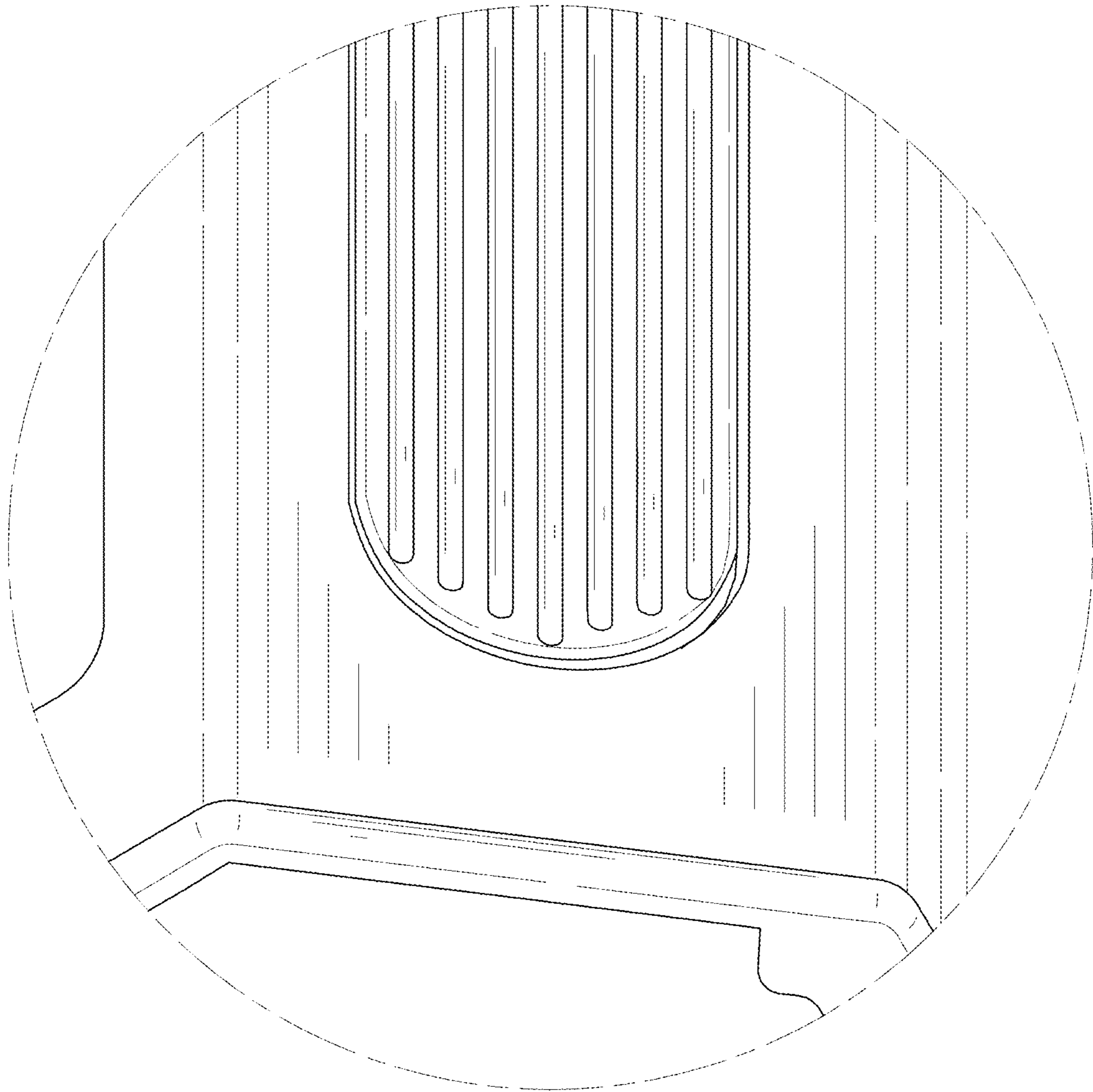


FIG. 9