



US00D984017S

(12) **United States Design Patent**
Chen et al.

(10) **Patent No.:** **US D984,017 S**
(45) **Date of Patent:** **** Apr. 18, 2023**

(54) **LED GROW LIGHT**

(71) Applicant: **LUMLUX CORP.**, Suzhou (CN)

(72) Inventors: **Honghua Chen**, Suzhou (CN); **Ming Qiu**, Suzhou (CN); **Yao Dong**, Suzhou (CN)

(73) Assignee: **LUMLUX CORP.**, Jiangsu (CN)

(**) Term: **15 Years**

(21) Appl. No.: **29/757,509**

(22) Filed: **Nov. 6, 2020**

(51) **LOC (14) Cl.** **26-05**

(52) **U.S. Cl.**
USPC **D26/76**

(58) **Field of Classification Search**
USPC D26/13, 24, 25, 72, 75-77, 85, 90
(Continued)

(56) **References Cited**

U.S. PATENT DOCUMENTS

D881,440 S * 4/2020 Zhu D26/76
10,619,807 B1 * 4/2020 Flannery E06B 9/02
(Continued)

FOREIGN PATENT DOCUMENTS

CN 305718261 * 4/2020
CN 305862680 * 6/2020
EM 008263842-0005 * 11/2020

OTHER PUBLICATIONS

“Folded” reference on lumluxlighting.com, site visited Jun. 7, 2022, internet URL: <https://www.lumluxlighting.com/folded-or-foldable-high-performance-indoor-led-grow-light-with-full-spectrumdeep-red-product/> (Year: 2022).*

(Continued)

Primary Examiner — Richard Kearney
Assistant Examiner — Liv C Anderson
(74) *Attorney, Agent, or Firm* — Taft Stettinius & Hollister LLP

(57) **CLAIM**

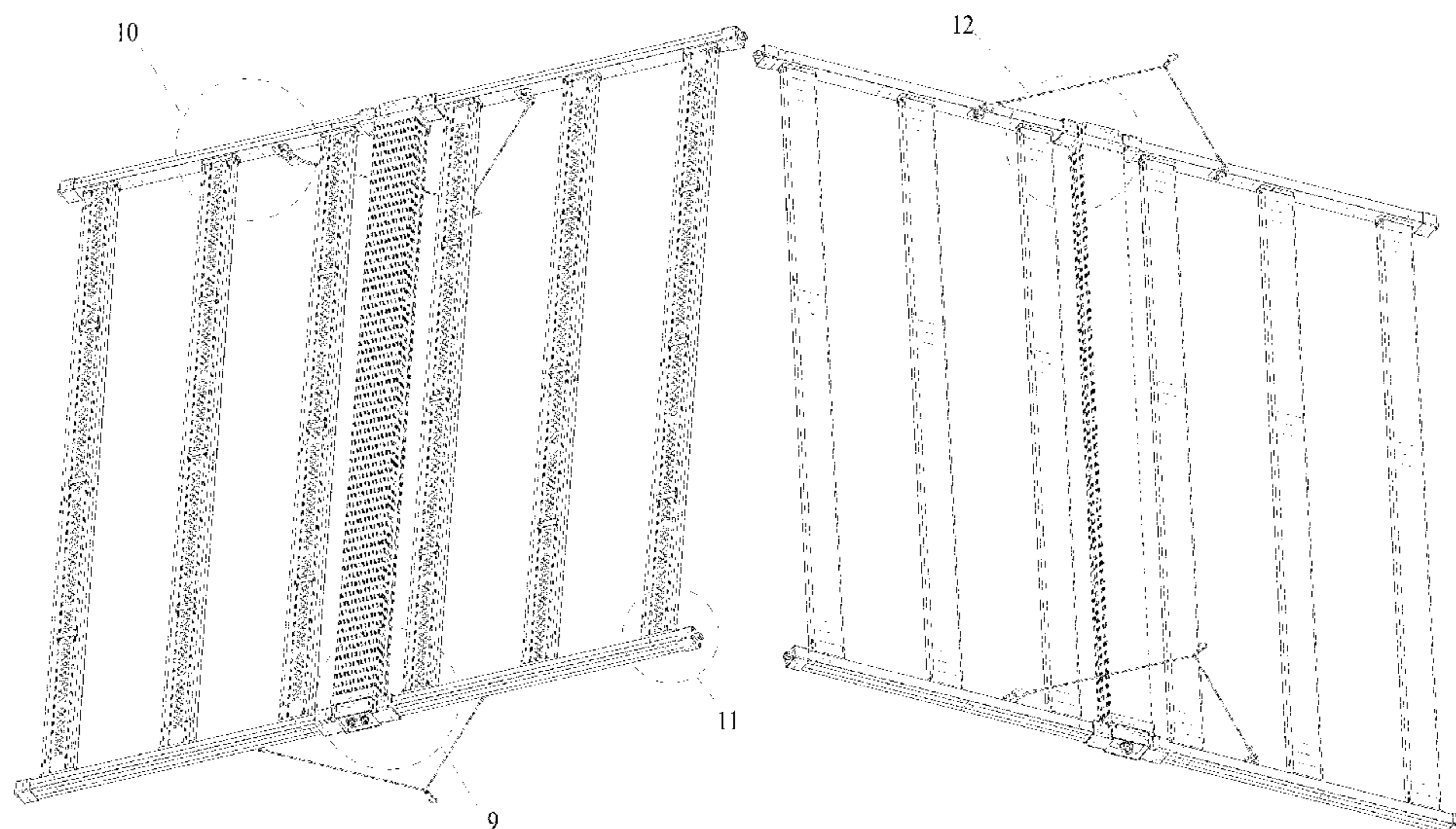
The ornamental design for an LED grow light, as shown and described.

DESCRIPTION

FIG. 1 is a front, right side perspective view of an LED grow light showing our new design;
FIG. 2 is a rear, right side perspective view thereof;
FIG. 3 is a front elevation view thereof;
FIG. 4 is a rear elevation view thereof;
FIG. 5 is a left side elevation thereof;
FIG. 6 is a right side elevation thereof;
FIG. 7 is a top plan view thereof;
FIG. 8 is a bottom plan view thereof;
FIG. 9 is an enlarged view of the selected portion 9 of FIG. 1;
FIG. 10 is an enlarged view of the selected portion 10 of FIG. 1;
FIG. 11 is an enlarged view of the selected portion 11 of FIG. 1;
FIG. 12 is an enlarged view of the selected portion 12 of FIG. 2;
FIG. 13 is an enlarged view of the selected portion 13 of FIG. 5; and,
FIG. 14 is an enlarged view of the selected portion 14 of FIG. 6.

The broken lines shown in the figures depict portions of the LED grow light that form no part of the claimed design. The additional broken lines encircling the enlarged views in FIGS. 1-2, 5-6, and 9-14 are for annotative purposes only and form no part of the claim thereof. The solid lines depict claimed subject matter, while the broken lines segments adjacent the solid lines depict unclaimed subject matter.

1 Claim, 13 Drawing Sheets



(58) **Field of Classification Search**

CPC A01G 7/045; F21S 2/00; F21S 4/00; F21S
4/28; F21S 8/00; F21S 8/03; F21S 8/031;
F21S 8/036; F21S 8/04; F21S 8/043;
F21S 8/06; F21S 8/061

See application file for complete search history.

(56) **References Cited**

U.S. PATENT DOCUMENTS

10,830,420 B2 * 11/2020 Van Der Schyf E05D 3/02
D945,044 S * 3/2022 Chen D26/76
D949,454 S * 4/2022 Burkhart D26/76
D955,027 S * 6/2022 Lauck D26/76
D964,630 S * 9/2022 Wang D26/76
D970,782 S * 11/2022 Zhou D26/76
D970,783 S * 11/2022 Liu D26/76
2016/0003453 A1 * 1/2016 Klase F21S 4/28
362/220
2018/0087755 A1 * 3/2018 Yorio F21V 17/007
2019/0230868 A1 * 8/2019 Tao A01G 7/045
2020/0041109 A1 * 2/2020 Van Der Schyf F21V 21/14
2020/0060105 A1 * 2/2020 Tsivikis A01G 25/09
2020/0300447 A1 * 9/2020 Luo F21V 21/30
2021/0310635 A1 * 10/2021 Daly F21S 8/061
2021/0372599 A1 * 12/2021 Chan A01G 9/249

OTHER PUBLICATIONS

“Mars” reference by Mars Hydro on Amazon.com, date first available Mar. 17, 2020 [online], site visited Jun. 7, 2022, available from internet URL: <https://www.amazon.com/MARS-HYDRO-FC-E6500-Commercial-Detachable/dp/B08Q3F4TX3> (Year: 2020).*

* cited by examiner

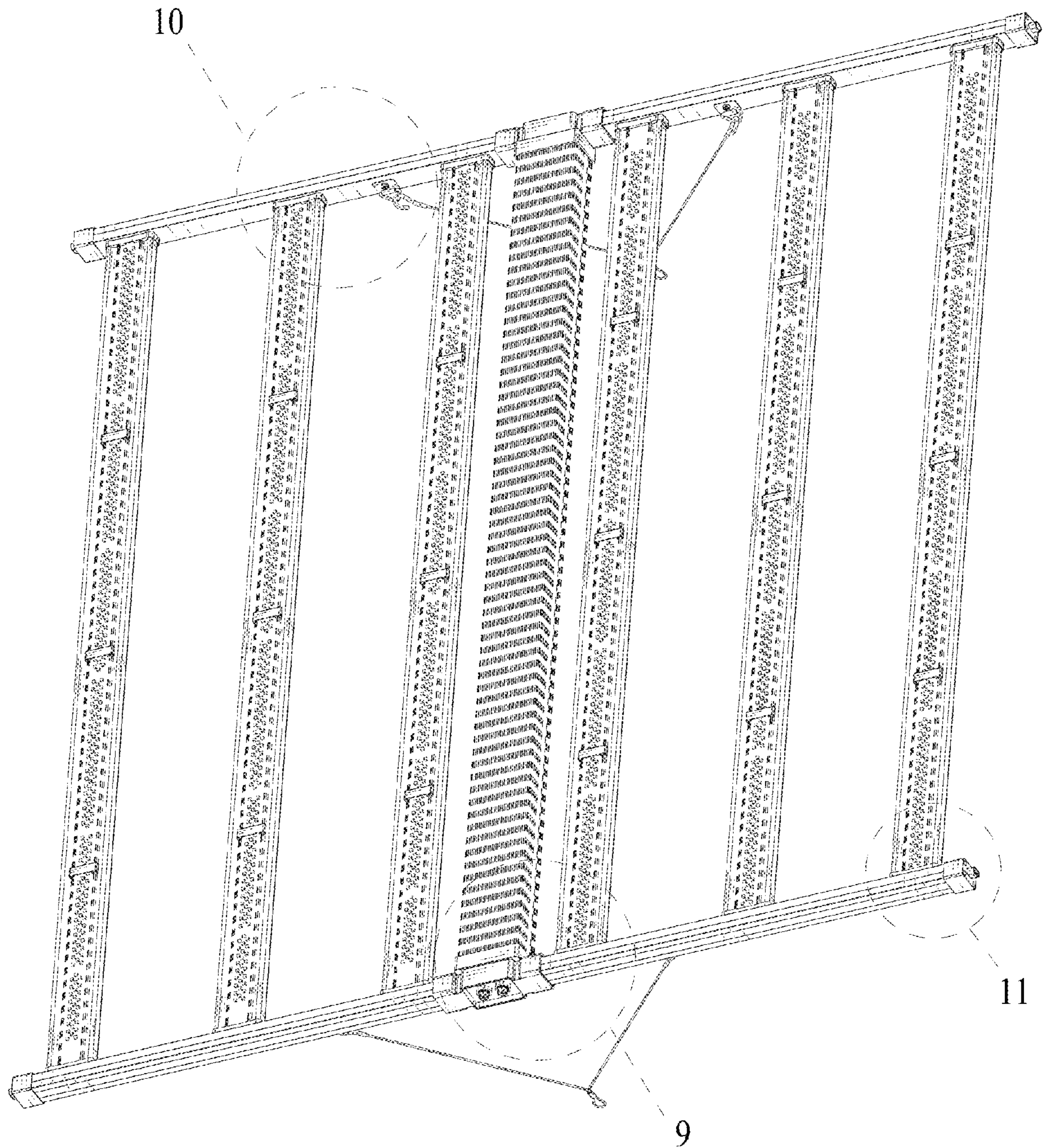


FIG. 1

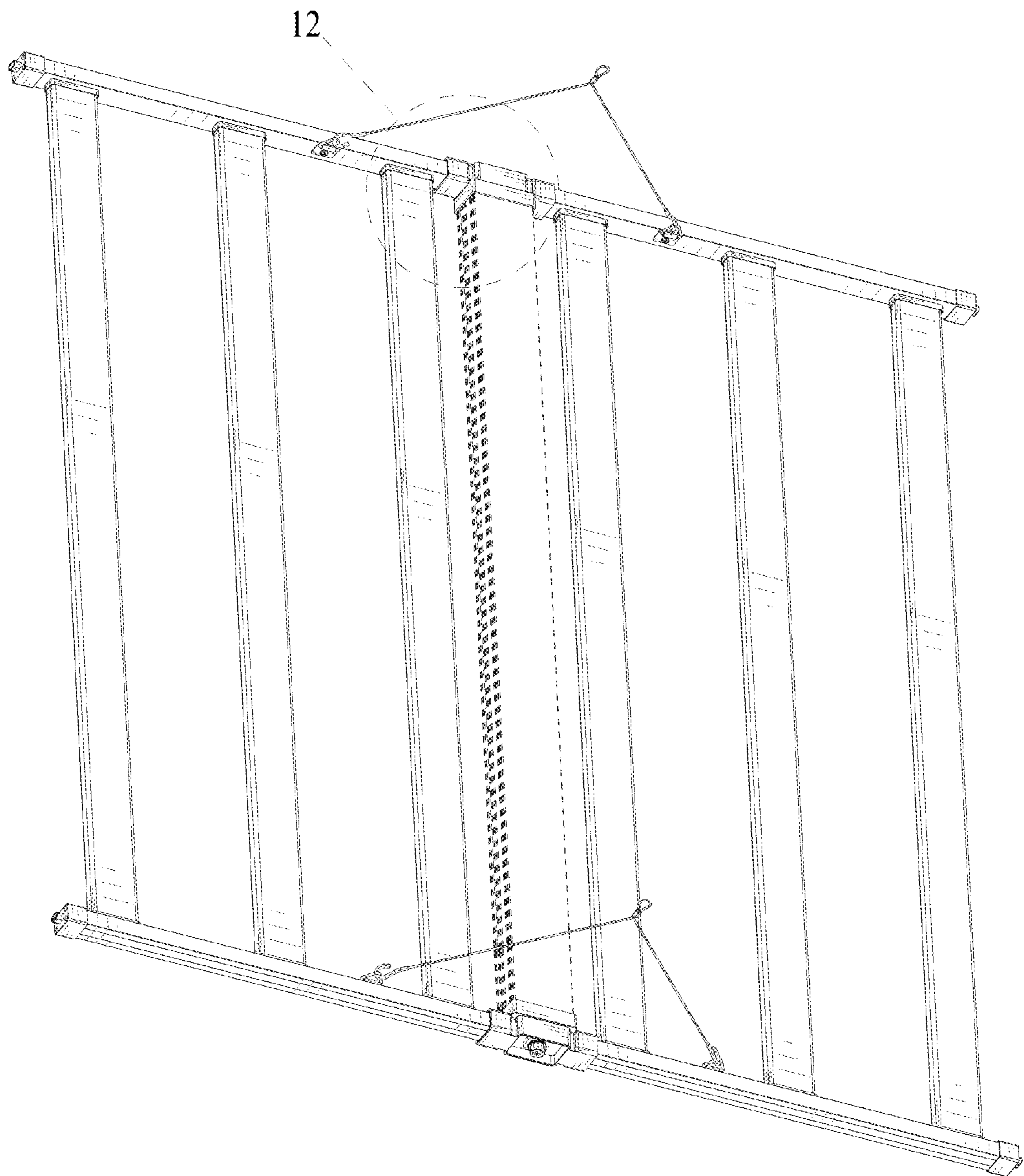


FIG.2

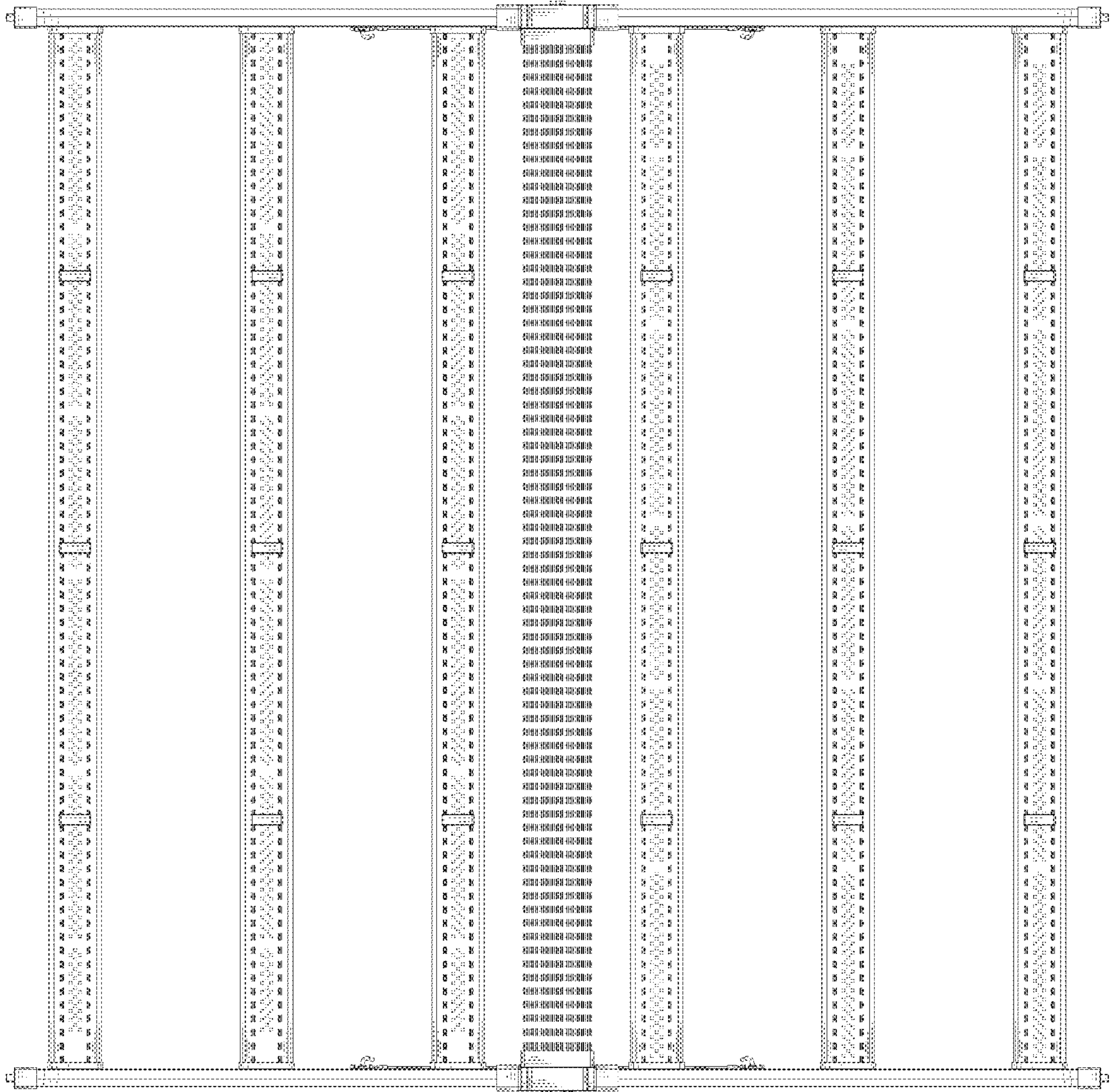


FIG.3



FIG.4

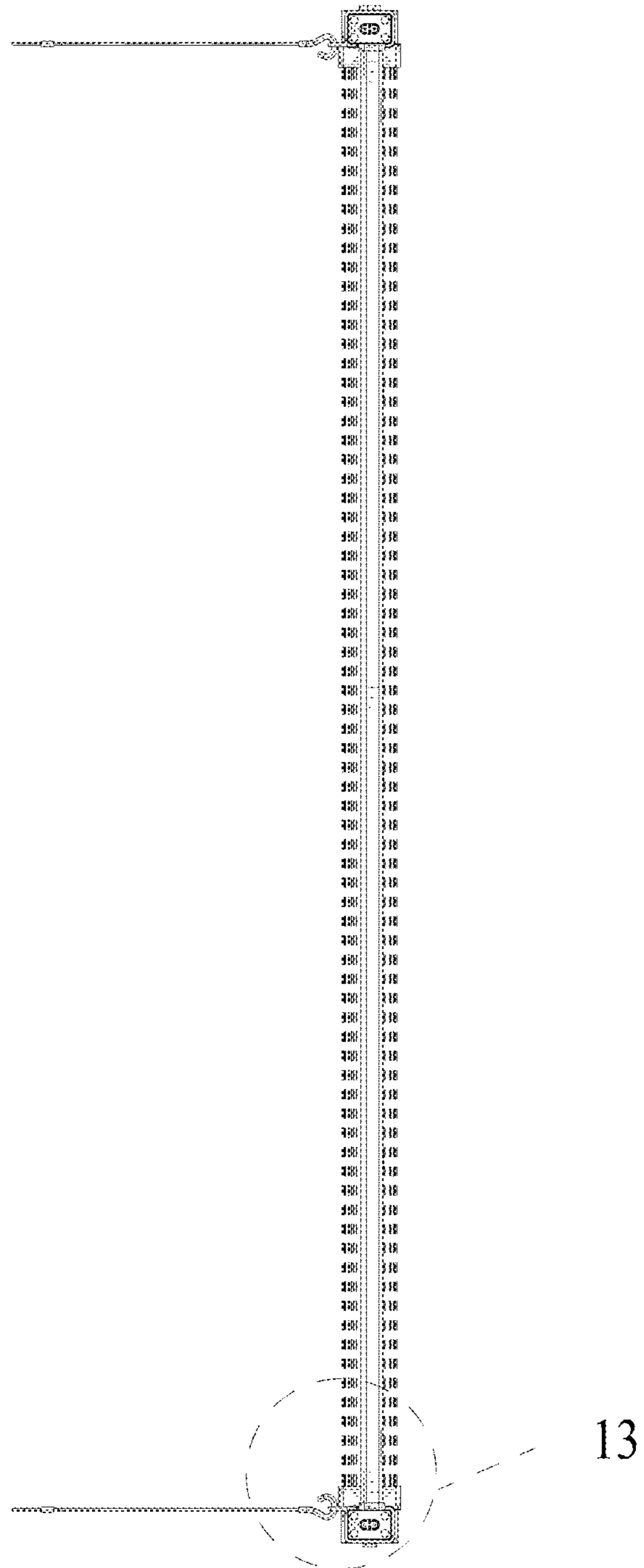


FIG.5

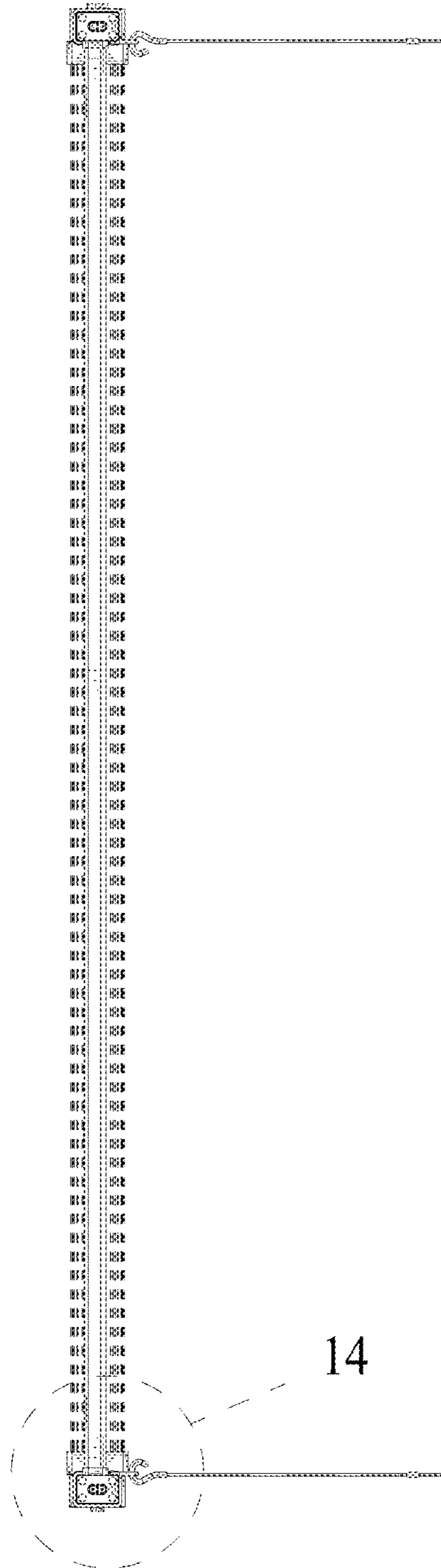


FIG.6

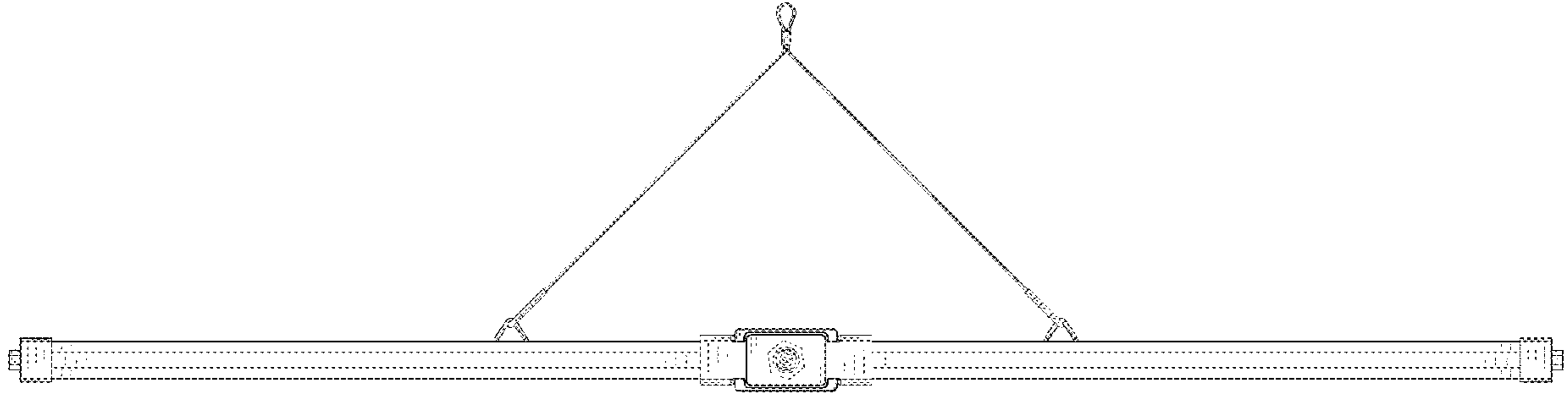


FIG. 7

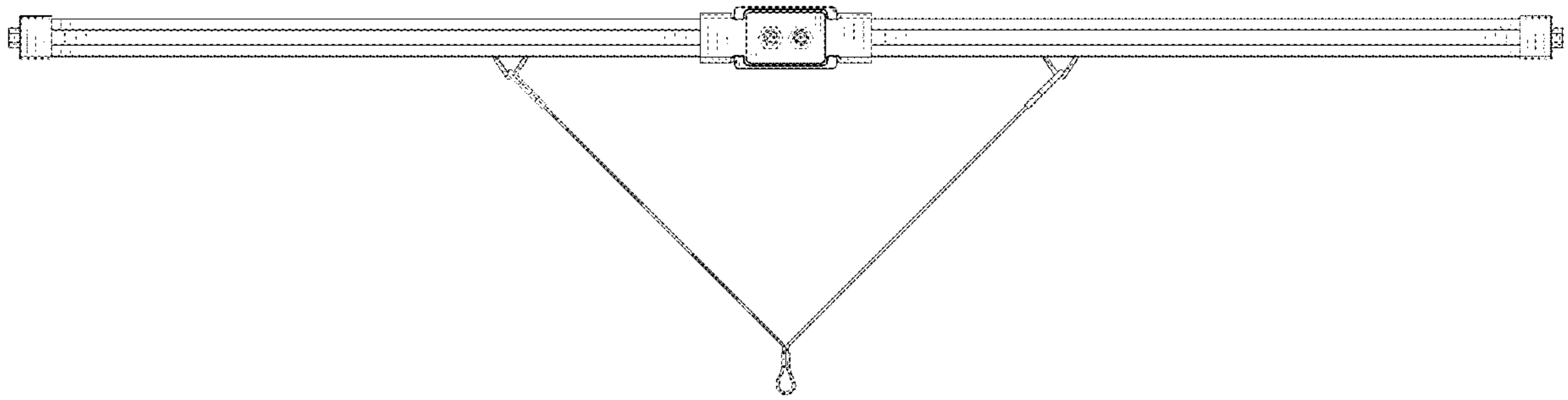


FIG. 8

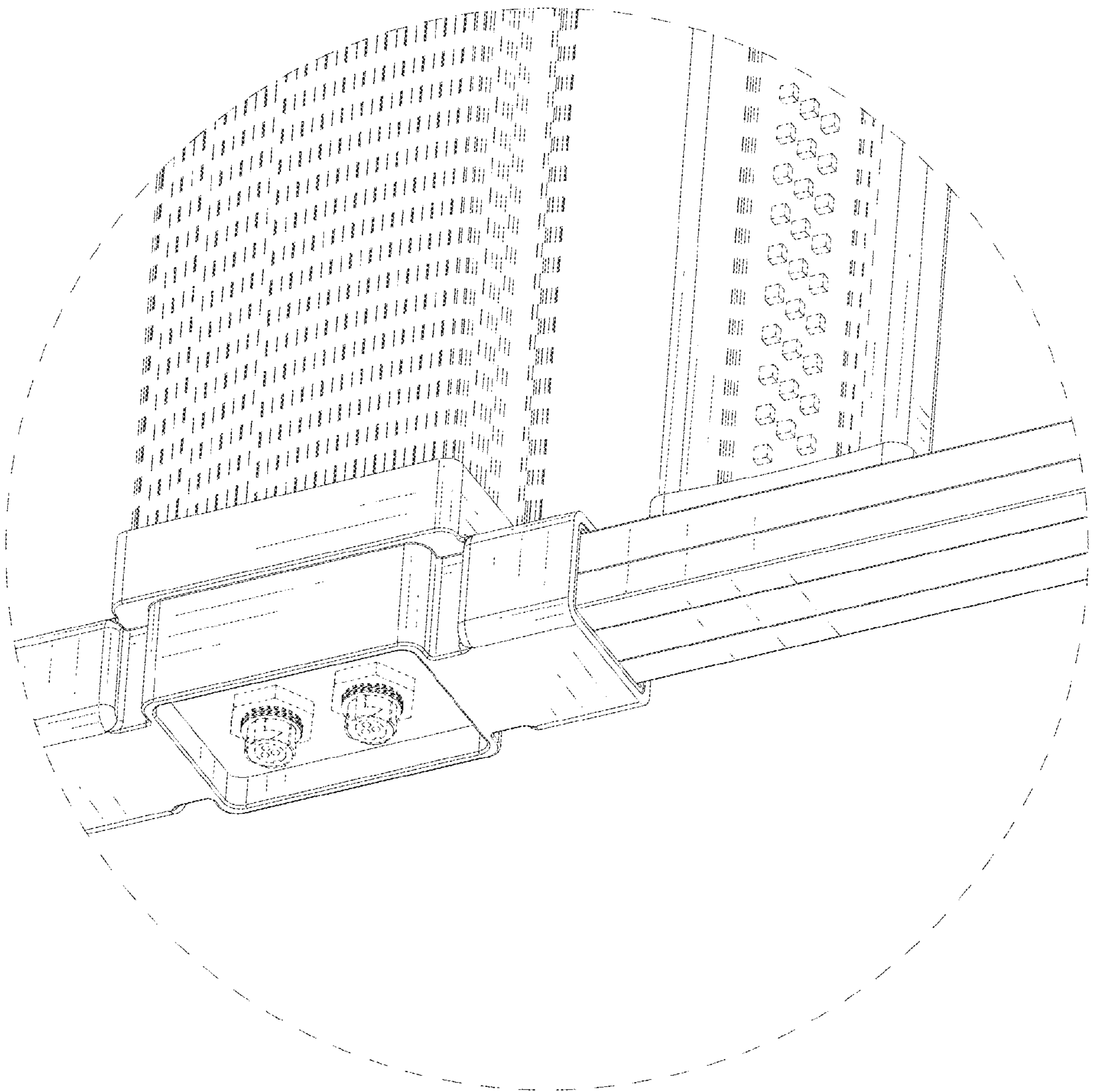


FIG.9

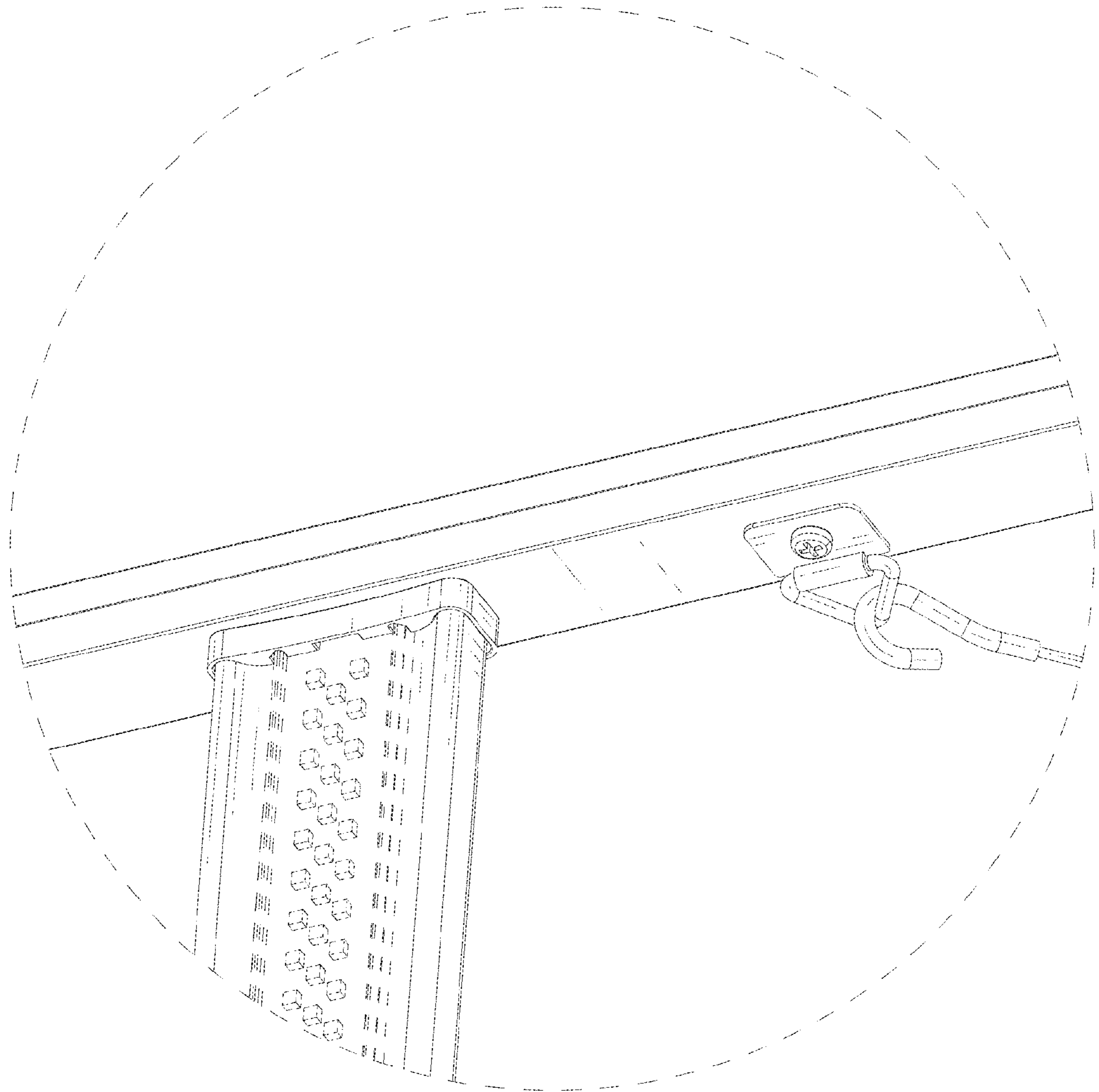


FIG.10

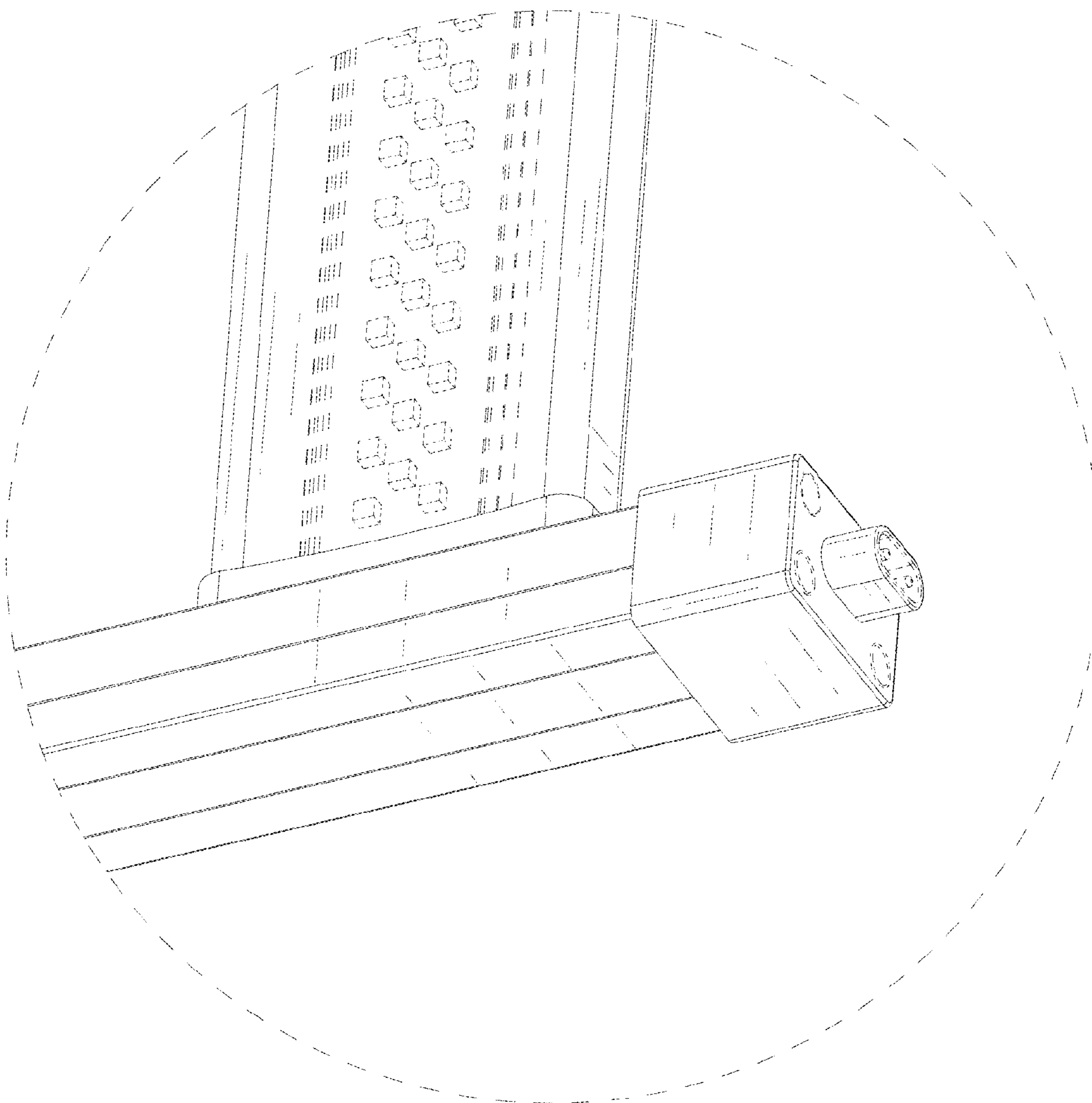


FIG.11

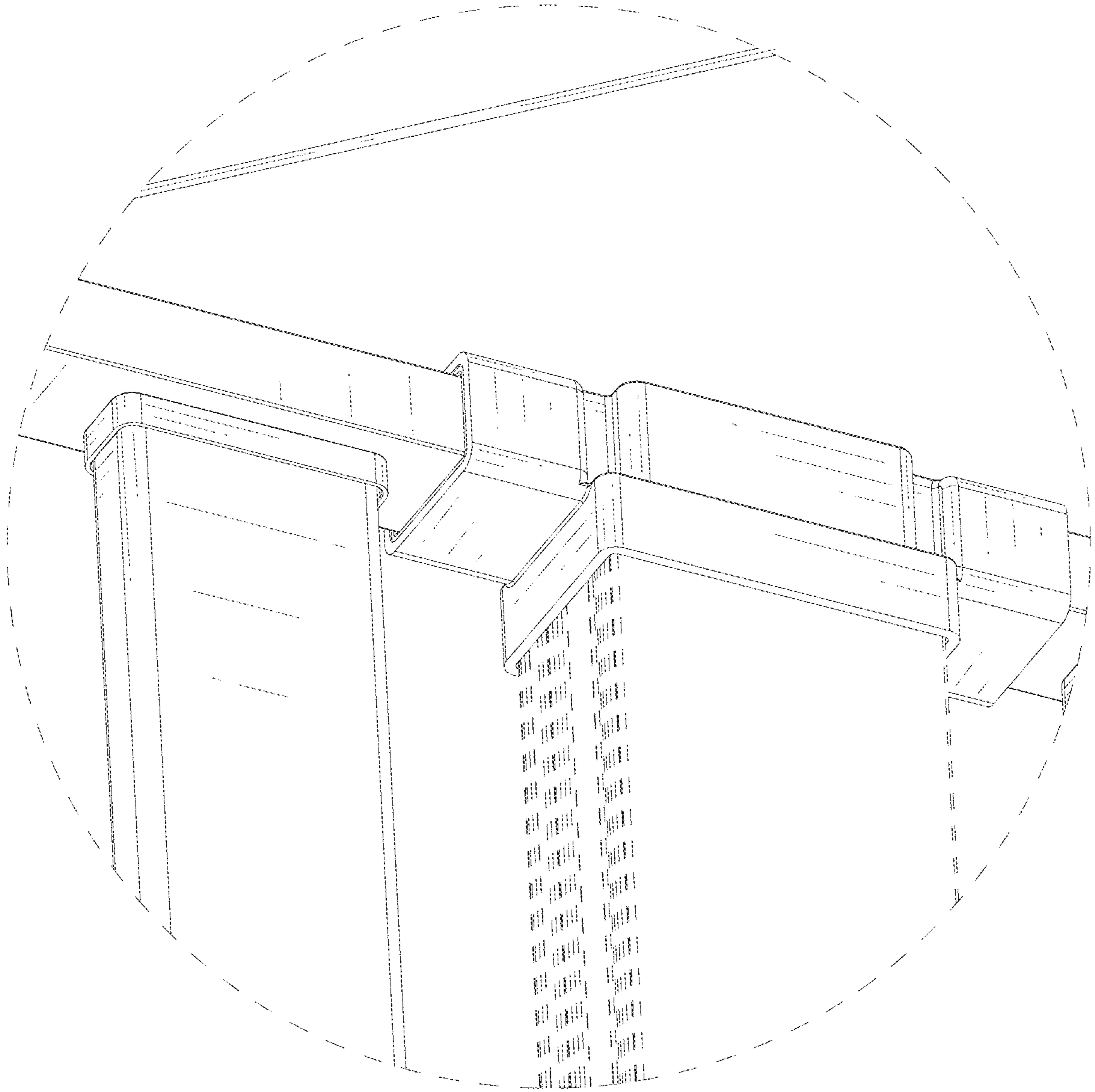


FIG.12

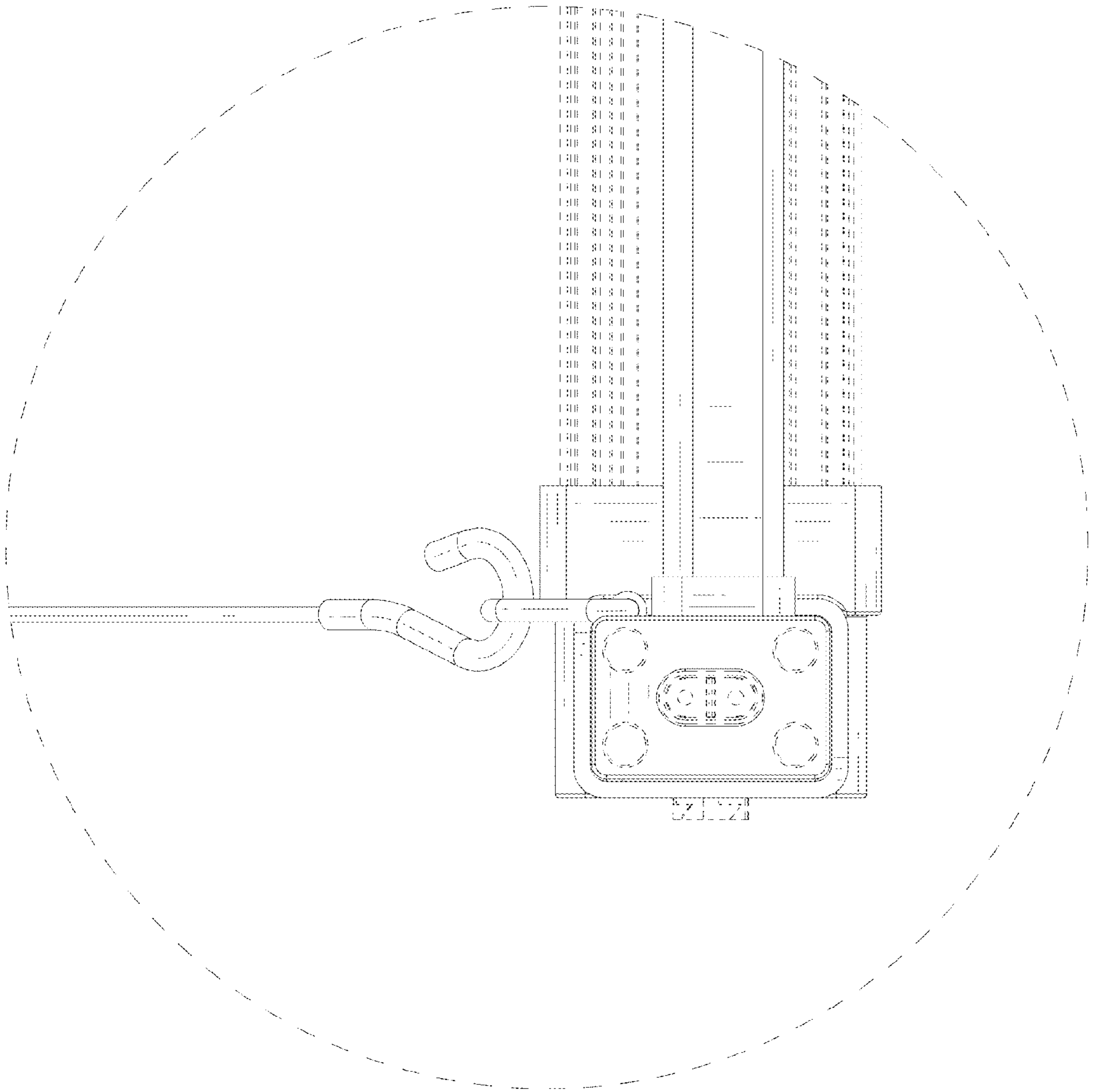


FIG.13

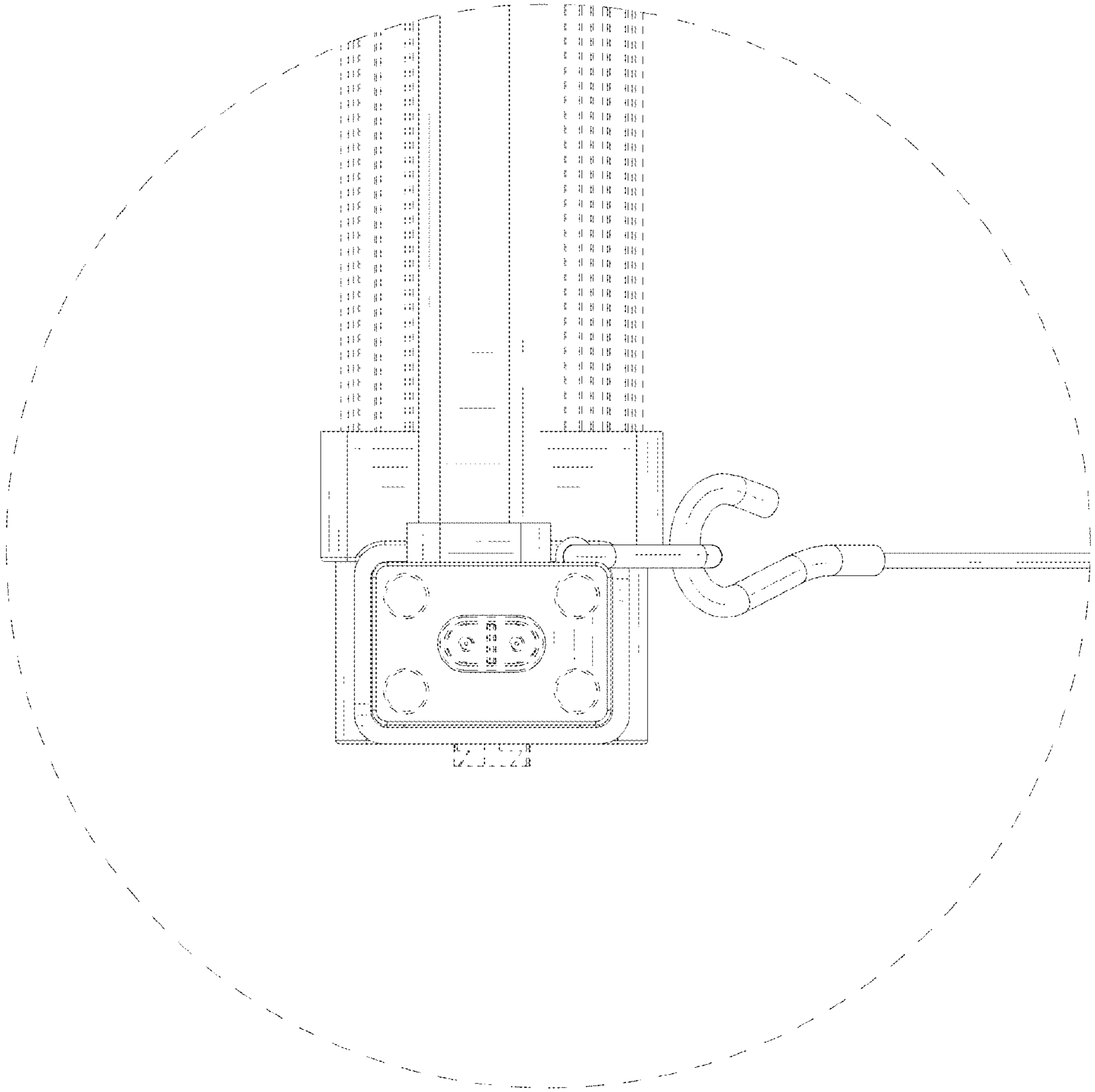


FIG.14