



US00D984015S

(12) **United States Design Patent** (10) **Patent No.:** **US D984,015 S**
Ding (45) **Date of Patent:** **** Apr. 18, 2023**

(54) **OUTDOOR LIGHT**

FOREIGN PATENT DOCUMENTS

(71) Applicant: **Xiangsong Ding**, Guangzhou (CN)

CN 304579712 * 4/2018
CN 306682157 * 7/2021

(72) Inventor: **Xiangsong Ding**, Guangzhou (CN)

OTHER PUBLICATIONS

(**) Term: **15 Years**

Beionxii Outdoor Wall Mount Lights. May 8, 2019. Site visited Oct. 6, 2022. [https://www.amazon.com/Beionxii-Outdoor-Exterior-Fixture-Aluminum/dp/B07VSN8FDH/ref=sxin_15_pa_sp_search_thematic_sspa?content-id=amzn1.sym.e3a8c50b-02ed-41f1-8fc6-3115cef1663a%3Aamzn1.sym.e3a8c50b-02ed-41f1-8fc6-3115cef1663a&crd=2W2788W0EKG28&cv_ct_cx=outdoor+light+sconce&keywords=outdoor+light+sconce&pd_rd_i=B07VSN8FDH&pd_rd_r=7e780bC8-250f-41f0-8aa7-429a7e9ec23f&pd_rd_w=nHZwn&pd_rd_wg=zbkM88pf_rd_p=e3a8c50b-02ed-41f1-8fc6-3115cef1663a&pf_rd_r=VF6VW47ETJC0NN31T3YT&qid=1665080022&qu=eyJxc2MiOiJ3Ljc3liwicXNhIjoiNy4yNyIsbnFzcCI6IjUuODQifQ%3D%3D&srefix=outdoor+light+sconce%2Caps%2C184&sr=1-98-bb4842f6-7db0-410d-8e58-ed475f3f7b54-spons&psc=1&spLa=ZW5jcnlwdGVkUXVhbGlmaWVyPUEyMERGOUpYSkVaQUI5JmVuY3J5cHRlZElkPUEwNTIzNjgzVDE5MldKS1A3M1NFJmVuY3J5cHRlZEFkSWQ9QTAxNjA5OTQyOFZPMjRlZjRE5hbWU9c3Bfc2VhcmNoX3RoZW1hdGJlJmFjdGlvbj1jbGlja1JIZGlyZWNoJmRvTm90TG9nQ2xpY2s9dHJlZQ==] (Year: 2019).*

(21) Appl. No.: **29/843,359**

(22) Filed: **Jun. 21, 2022**

(51) **LOC (14) Cl.** **26-05**

(52) **U.S. Cl.**

USPC **D26/72**; D26/87

(58) **Field of Classification Search**

USPC D26/67, 72, 73, 80-93, 118, 128

CPC F21S 8/04; F21S 8/043; F21S 8/046; F21S 8/06; F21S 8/061; F21S 8/063; F21S 8/065; F21S 8/066; F21S 8/068

See application file for complete search history.

(56) **References Cited**

U.S. PATENT DOCUMENTS

- D388,220 S * 12/1997 Hsu D26/87
- D417,925 S 12/1999 Meck
- D417,926 S 12/1999 Meck
- D427,352 S * 6/2000 Miranda D26/72
- D427,355 S * 6/2000 Miranda D26/87
- D429,018 S * 8/2000 De'Armond D26/85
- D438,660 S * 3/2001 De'Armond D26/72
- D439,360 S * 3/2001 Berry D26/87
- D442,721 S * 5/2001 Hsu D26/72
- D445,210 S * 7/2001 Chen D26/72
- D468,470 S 1/2003 Chen
- D470,963 S 2/2003 Cheong
- D477,890 S 7/2003 Cheong
- D478,683 S * 8/2003 Kuelbs D26/88
- D482,478 S * 11/2003 Cheong D26/89
- D483,139 S * 12/2003 Kuelbs D26/88
- D492,437 S 6/2004 Hon
- D499,503 S 12/2004 Hon
- D500,382 S * 12/2004 Phillips D26/92
- D504,189 S 4/2005 Hon

(Continued)

(Continued)

Primary Examiner — Wendy L Arminio

Assistant Examiner — Maheen Khurshid

(74) *Attorney, Agent, or Firm* — Rumit Ranjit Kanakia

(57) **CLAIM**

The ornamental design for an outdoor light, as shown and described.

DESCRIPTION

FIG. 1 is a perspective view of an outdoor light showing my new design;

FIG. 2 is another perspective view thereof;

FIG. 3 is a front elevational view thereof, the rear elevational view being a mirror image of FIG. 3;

FIG. 4 is a left elevational view thereof;

(Continued)

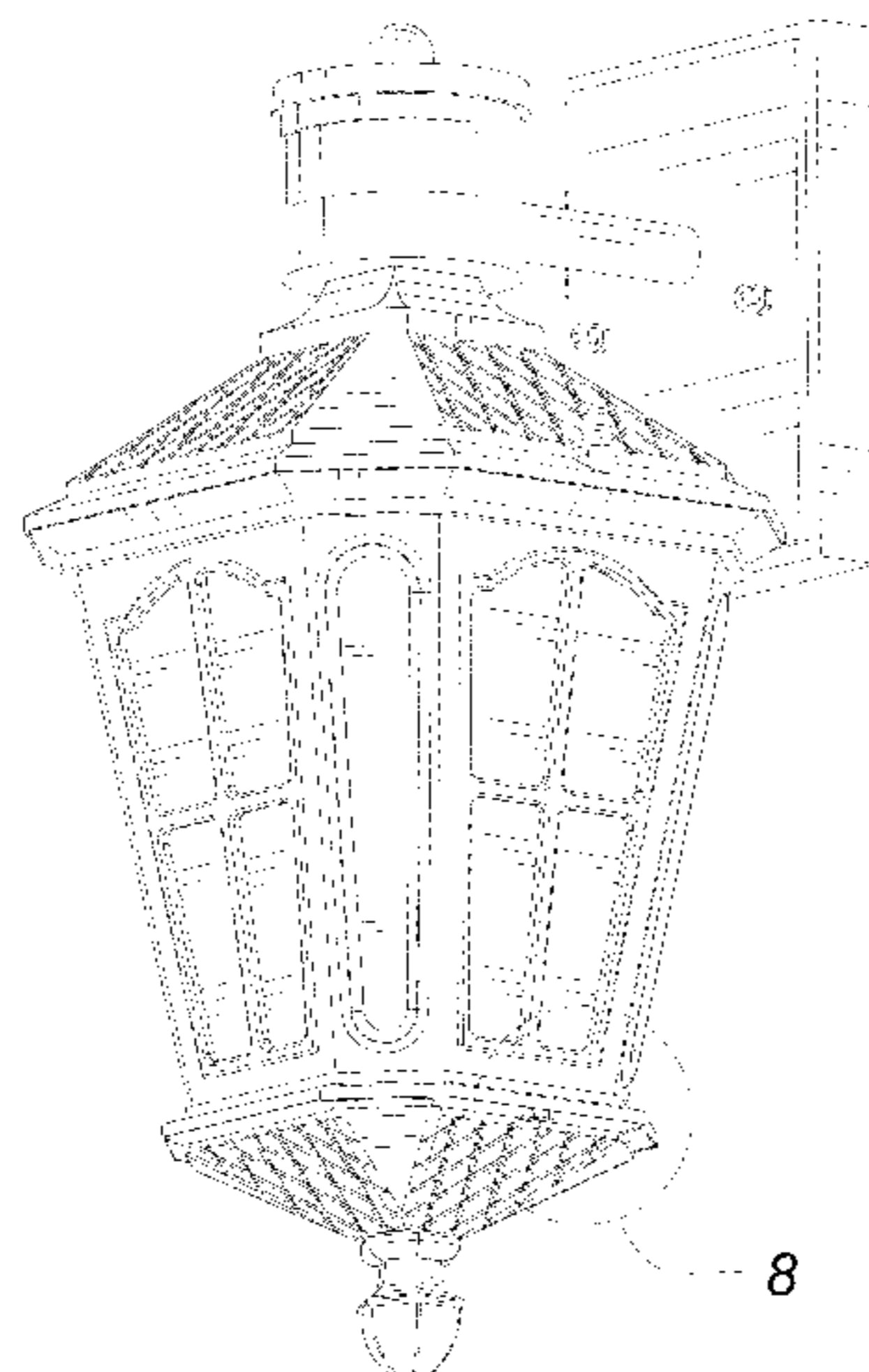


FIG. 5 is a right elevational view thereof;
FIG. 6 is a top plan view thereof;
FIG. 7 is a bottom plan view thereof;
FIG. 8 is an enlarged detail view of the portion indicated by the number 8 in FIG. 1; and,
FIG. 9 is enlarged detail view of the portion indicated by the number 9 in FIG. 2.
The dash-dash broken lines in the drawings denote the boundaries of the enlarged detail views and form no part of the claimed design.

1 Claim, 9 Drawing Sheets

(56)

References Cited

U.S. PATENT DOCUMENTS

D511,855 S * 11/2005 De'Armond D26/128
D513,337 S * 12/2005 Burke D26/92

D563,585 S 3/2008 Lee
D666,758 S 9/2012 Ho
D754,907 S * 4/2016 Orozco D26/85

OTHER PUBLICATIONS

Outdoor Wall Lantern Sconce. Mar. 22, 2022. Site visited Oct. 6, 2022. [https://www.amazon.com/Exterior-Fixtures-Anti-Rust-Aluminium-Lighting/dp/B09W3ZCBTC/ref=sr_1_53?crid=2W2788W0EKG28&keywords=outdoor%2Blight%2Bsconce&qid=1665079908&qu=eyJxc2MiOil3Ljc3liwicXNhIjoNj4yNyIsInFzcCI6IjUuODQifQ%3D%3D&sprefix=outdoor%2Blight%2Bsconce%2Caps%2C184&sr=8-53&th=1] (Year: 2022).*

* cited by examiner

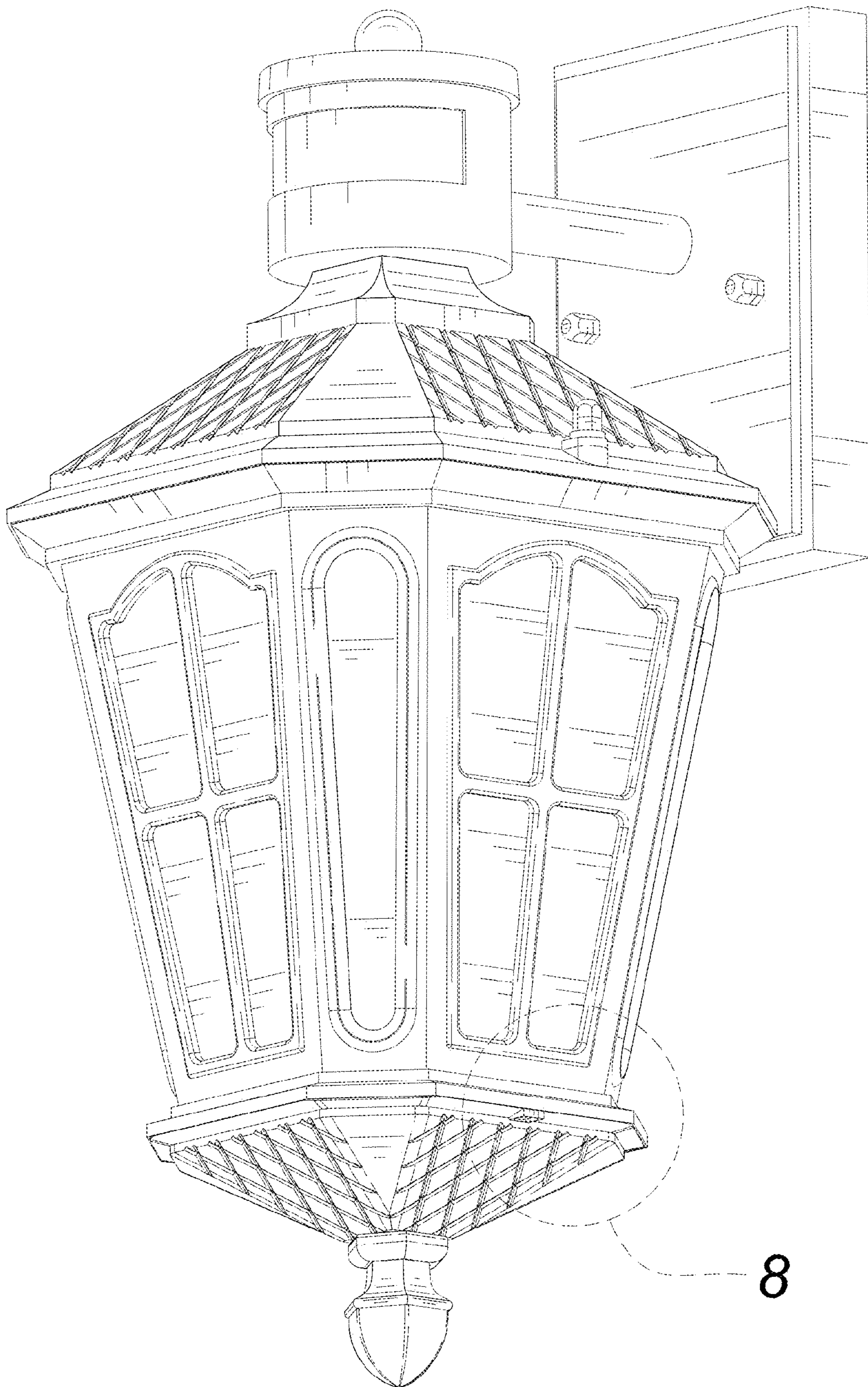


FIG. 1

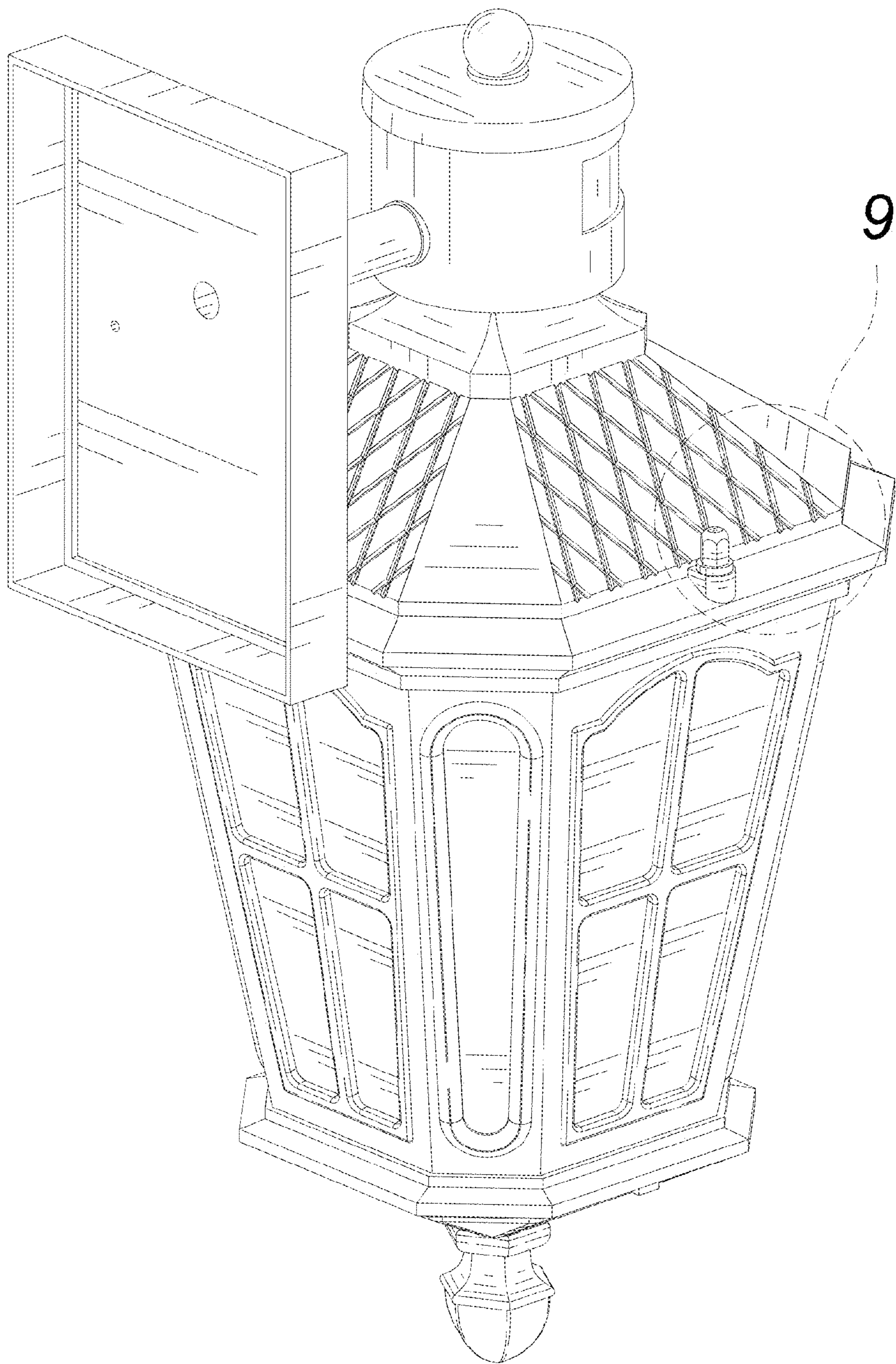


FIG. 2

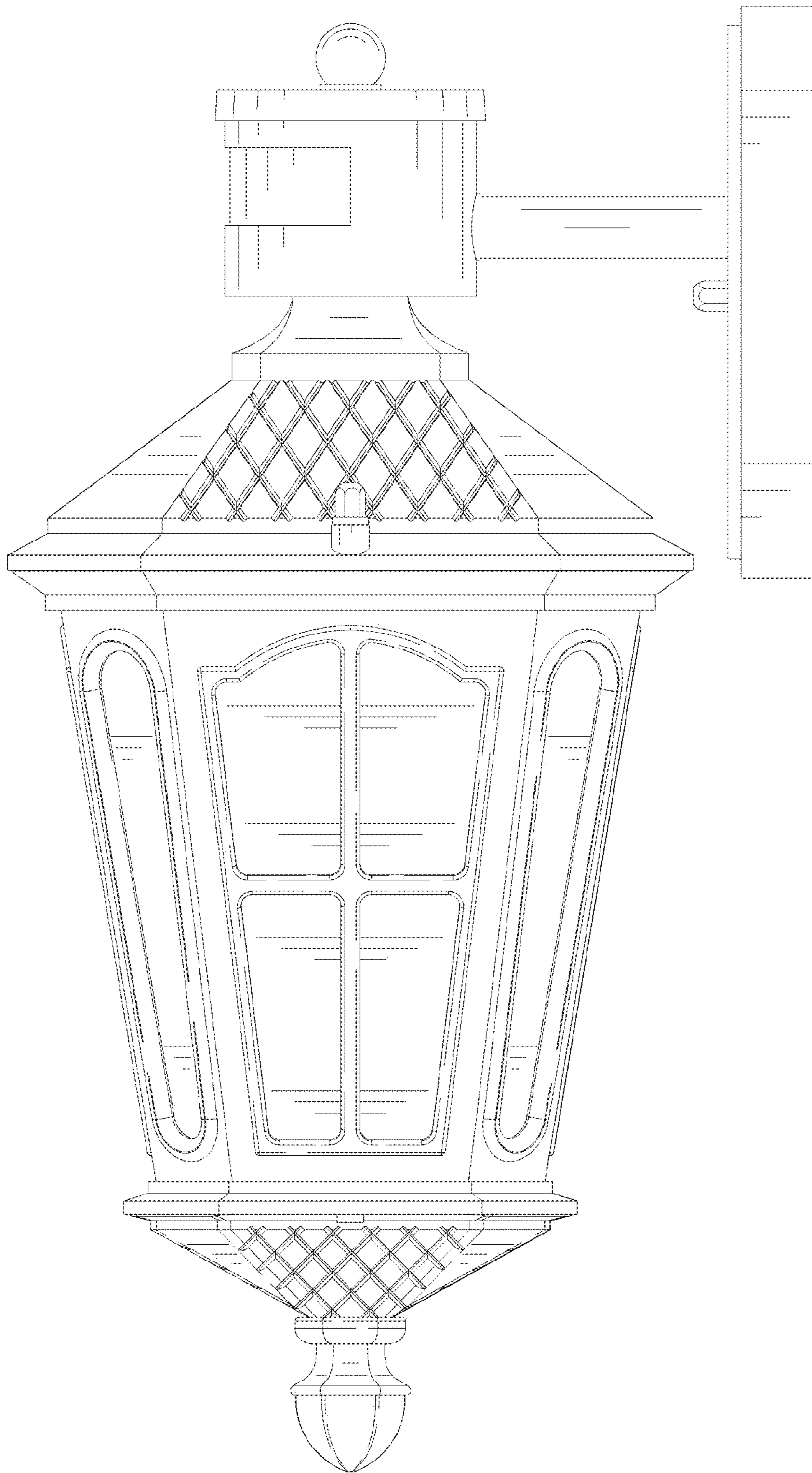


FIG. 3

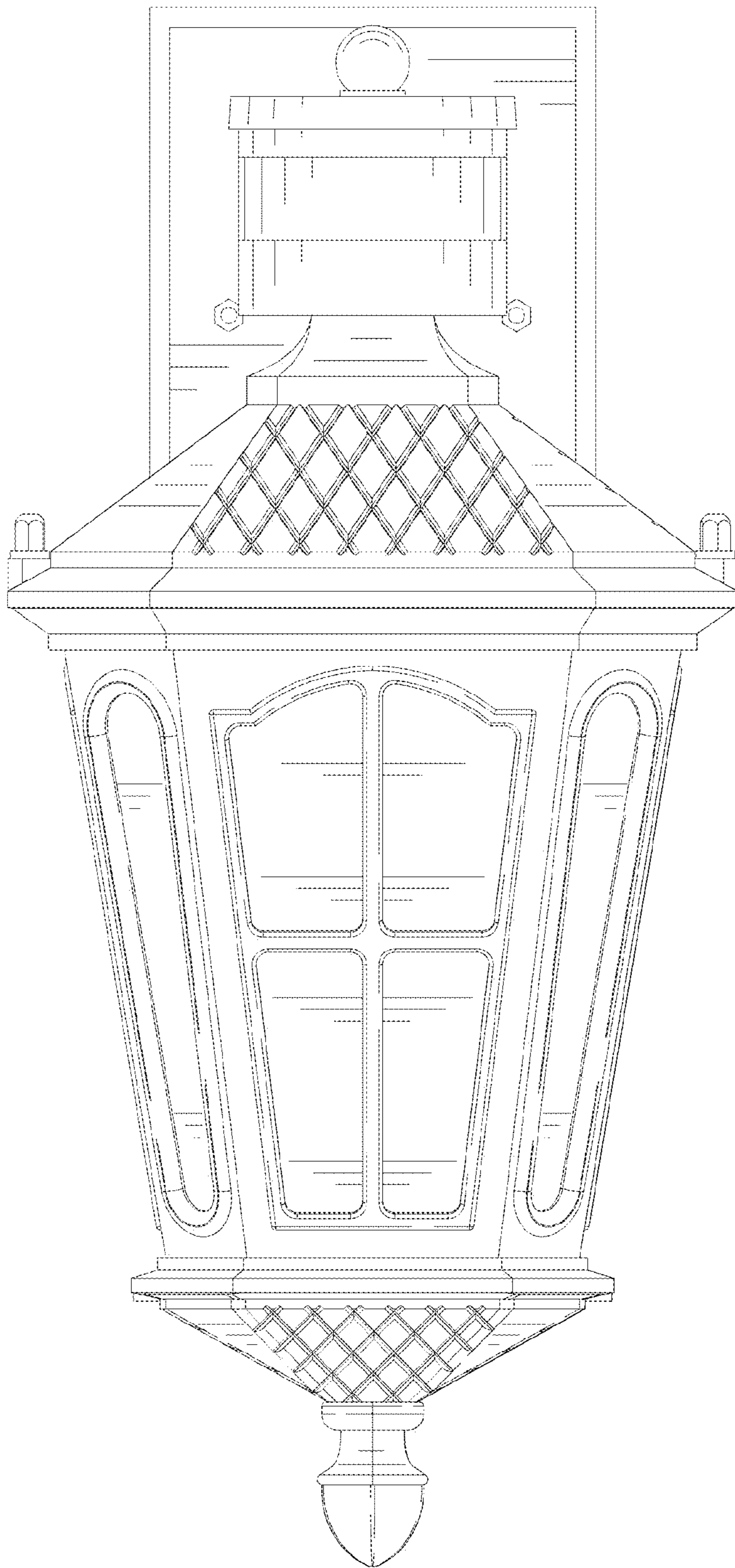


FIG. 4

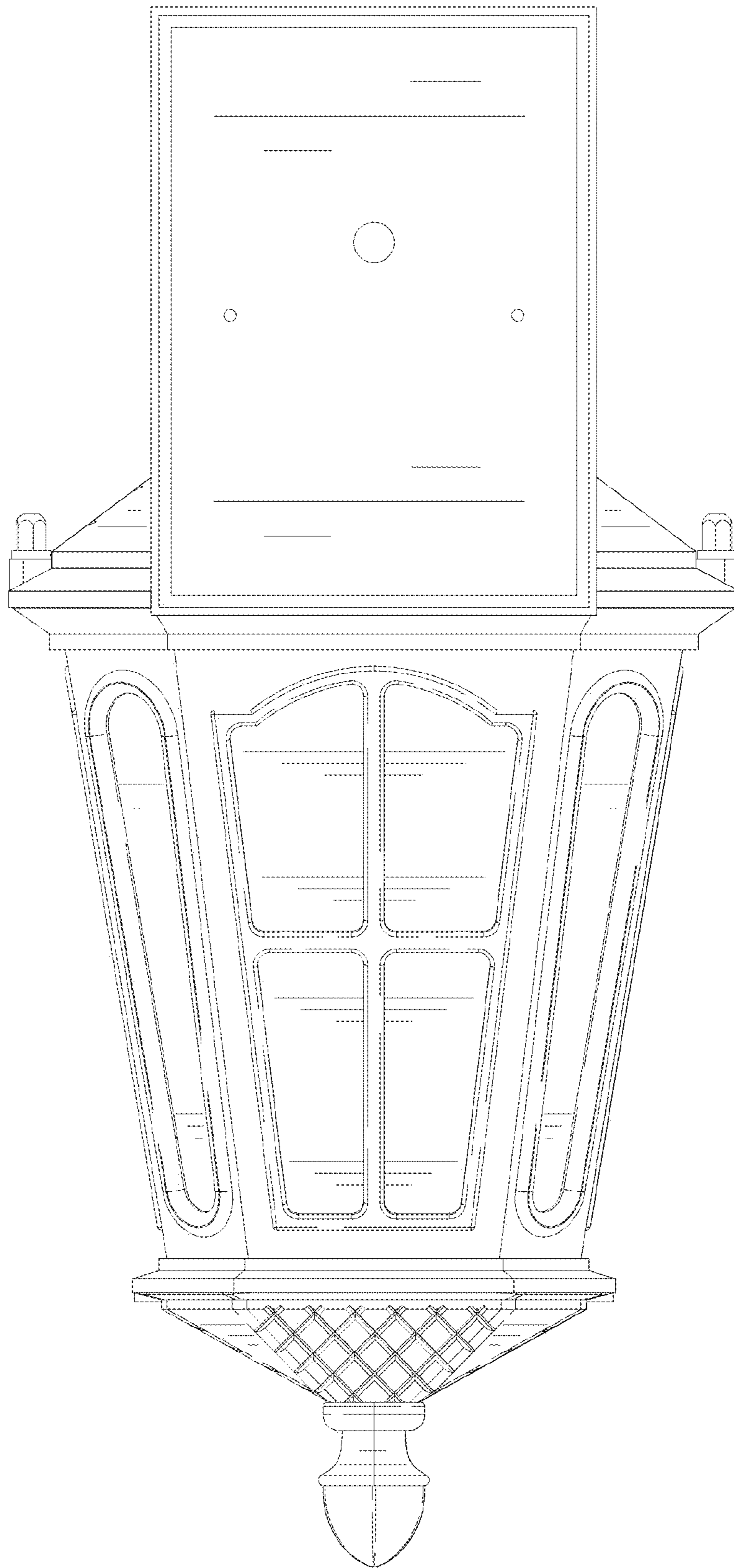


FIG. 5

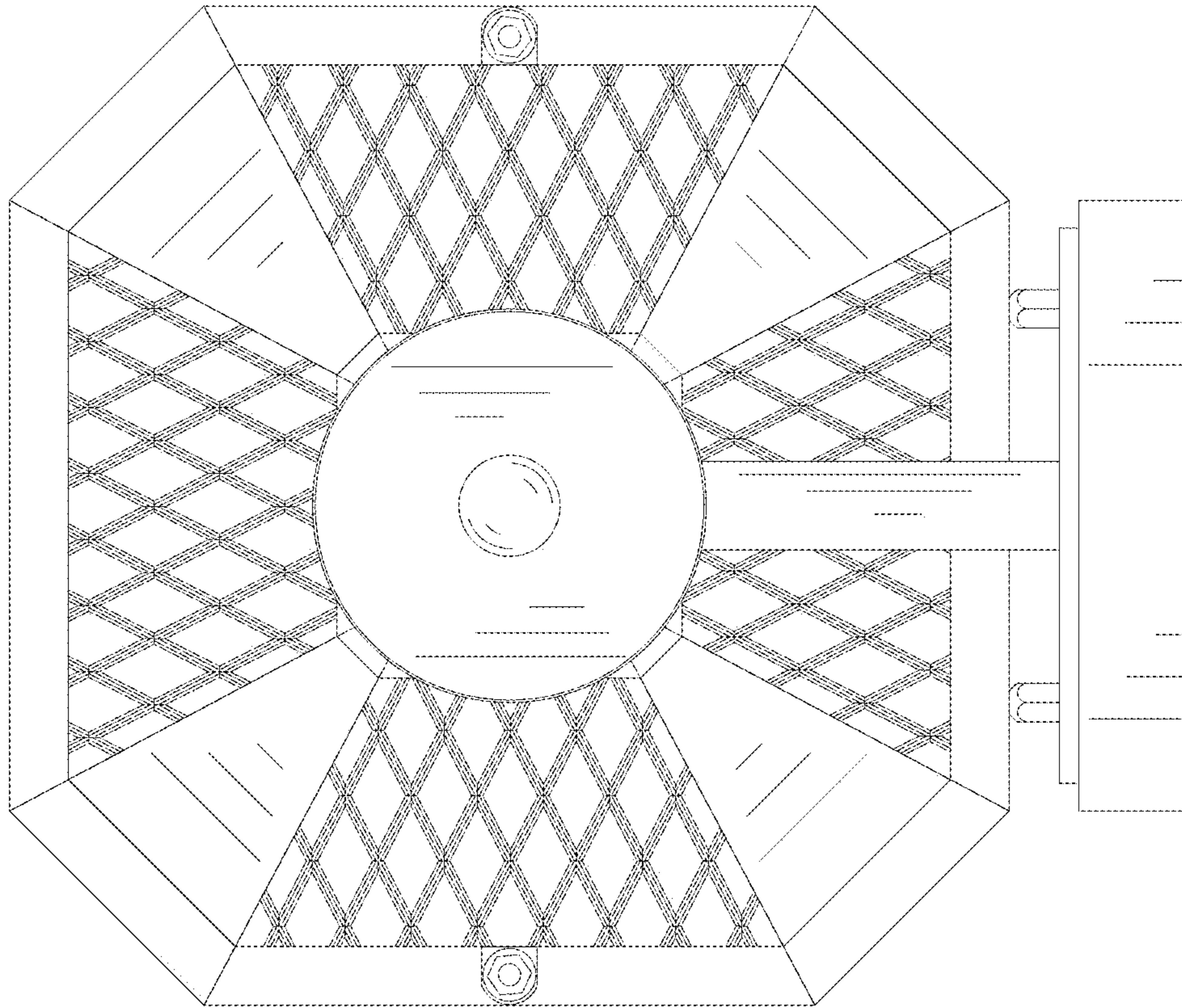


FIG. 6

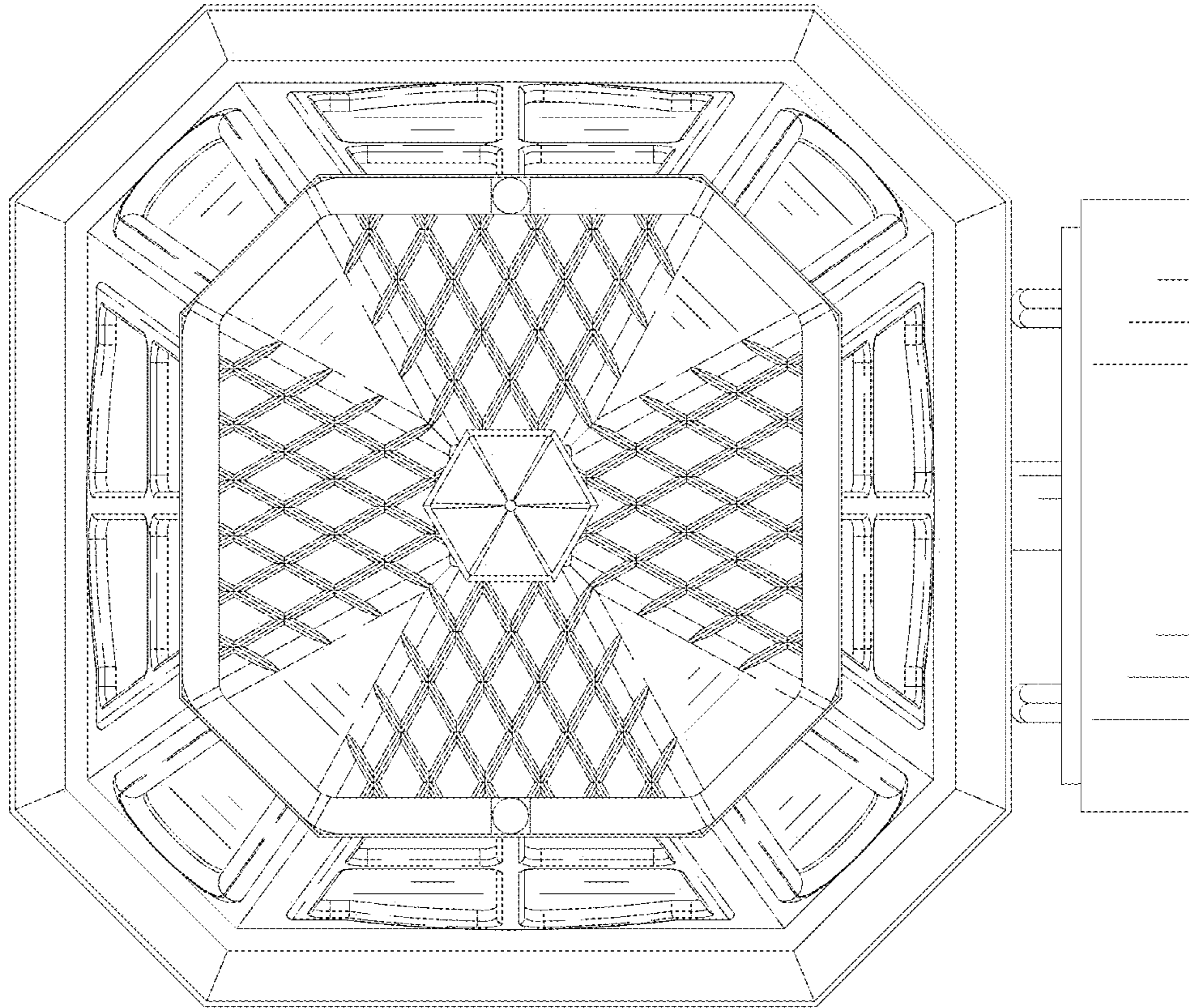


FIG. 7

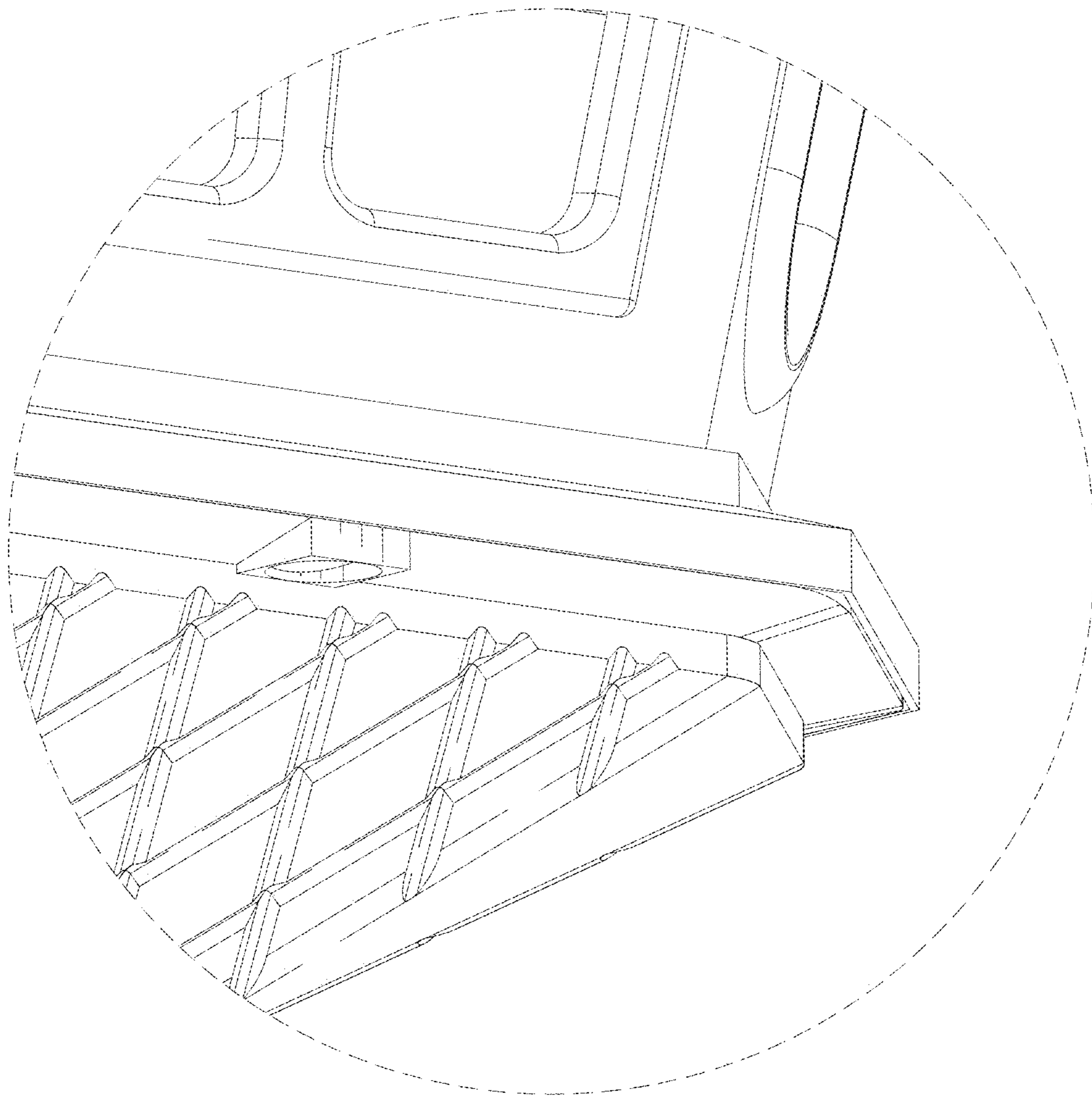


FIG. 8

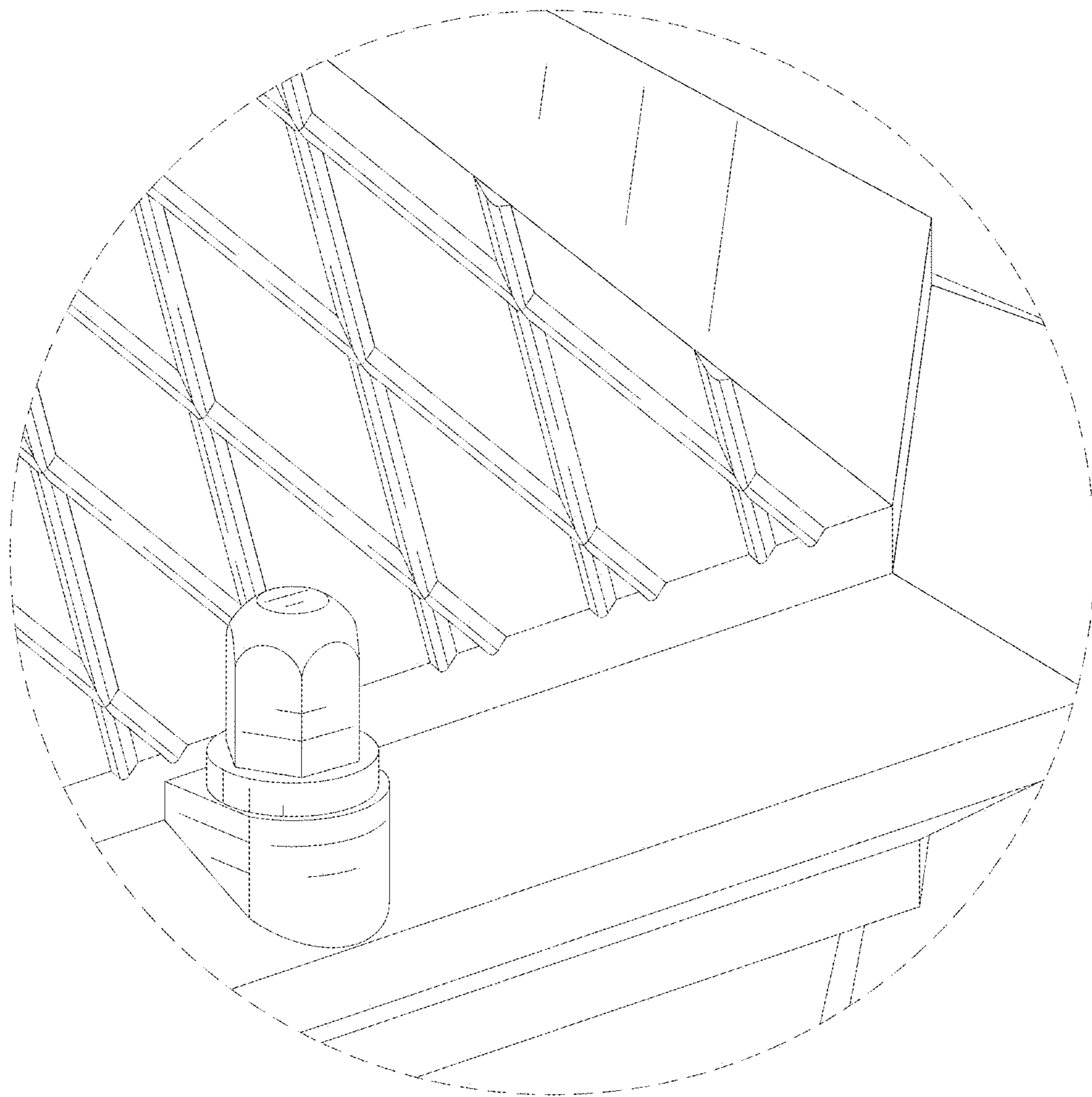


FIG. 9