



US00D984013S

(12) **United States Design Patent**  
**Pan et al.**

(10) **Patent No.:** **US D984,013 S**

(45) **Date of Patent:** **\*\* Apr. 18, 2023**

(54) **LIGHT FIXTURE**

(71) Applicant: **Shenzhen Intellirocks Tech. Co., Ltd.**,  
Shenzhen (CN)

(72) Inventors: **Jinyu Pan**, Shenzhen (CN); **Peifeng Wang**,  
Shenzhen (CN); **Wenlong Wu**, Shenzhen (CN)

(73) Assignee: **Shenzhen Intellirocks Tech. Co., Ltd.**,  
Shenzhen (CN)

(\*\*) Term: **15 Years**

(21) Appl. No.: **29/745,597**

(22) Filed: **Aug. 7, 2020**

(51) **LOC (14) Cl.** ..... **26-05**

(52) **U.S. Cl.**  
USPC ..... **D26/72; D26/85**

(58) **Field of Classification Search**  
USPC ..... D26/72, 76, 80, 85  
CPC .... F21S 8/03; F21S 8/033; F21S 8/036; F21S  
8/037; F21S 9/022; F21S 9/024; F21S  
9/03; F21S 9/035; F21S 9/037; F21W  
2131/107; G08B 13/193  
See application file for complete search history.

(56) **References Cited**

**U.S. PATENT DOCUMENTS**

D564,694 S *	3/2008	Southern, Jr.	.....	D26/85
D602,626 S *	10/2009	Santoro	.....	D26/76
D650,507 S *	12/2011	Osiecki	.....	D26/85
D797,963 S *	9/2017	Johnson	.....	D26/24
D800,942 S *	10/2017	Poyrah	.....	D26/72
D820,500 S *	6/2018	Li	.....	D26/85
D825,792 S *	8/2018	Johnson	.....	D26/24
D851,789 S *	6/2019	Johnson	.....	D26/24
D857,963 S *	8/2019	Johnson	.....	D26/76
D858,852 S *	9/2019	Chen	.....	D26/76
D872,339 S *	1/2020	Chen	.....	D26/76
D873,468 S *	1/2020	Ma	.....	D26/85

D874,709 S *	2/2020	Coleman	.....	D26/85
D900,374 S *	10/2020	Luo	.....	D26/85
D912,873 S *	3/2021	Hsu	.....	D26/72
D917,091 S *	4/2021	Ma	.....	D26/76
D921,237 S *	6/2021	Schneider, IV	.....	D26/24
D927,758 S *	8/2021	Jordan	.....	D26/74
D930,882 S *	9/2021	Song	.....	D26/76
D933,281 S *	10/2021	Johnson	.....	D26/89
D935,679 S *	11/2021	Yuan	.....	D26/76

(Continued)

**OTHER PUBLICATIONS**

Lightbiz, LED Closet Light. First available Jul. 18, 2018. Searched on Nov. 7, 2022. [<https://www.amazon.com/24-LED-Rechargeable-Wireless-Stick-Anywhere-Packs/dp/B07V2YBQN1/>] (Year: 2018).\*

(Continued)

*Primary Examiner* — W. A. Teddy Falloway

*Assistant Examiner* — Melissa A Santos

(74) *Attorney, Agent, or Firm* — ScienBiziP, P.C.

(57) **CLAIM**

The ornamental design for a light fixture, as shown and described.

**DESCRIPTION**

FIG. 1 is a first perspective view of a light fixture showing the new design;

FIG. 2 is a second perspective view of the light fixture showing the new design;

FIG. 3 is a front view thereof;

FIG. 4 is a rear view thereof;

FIG. 5 is a left view thereof;

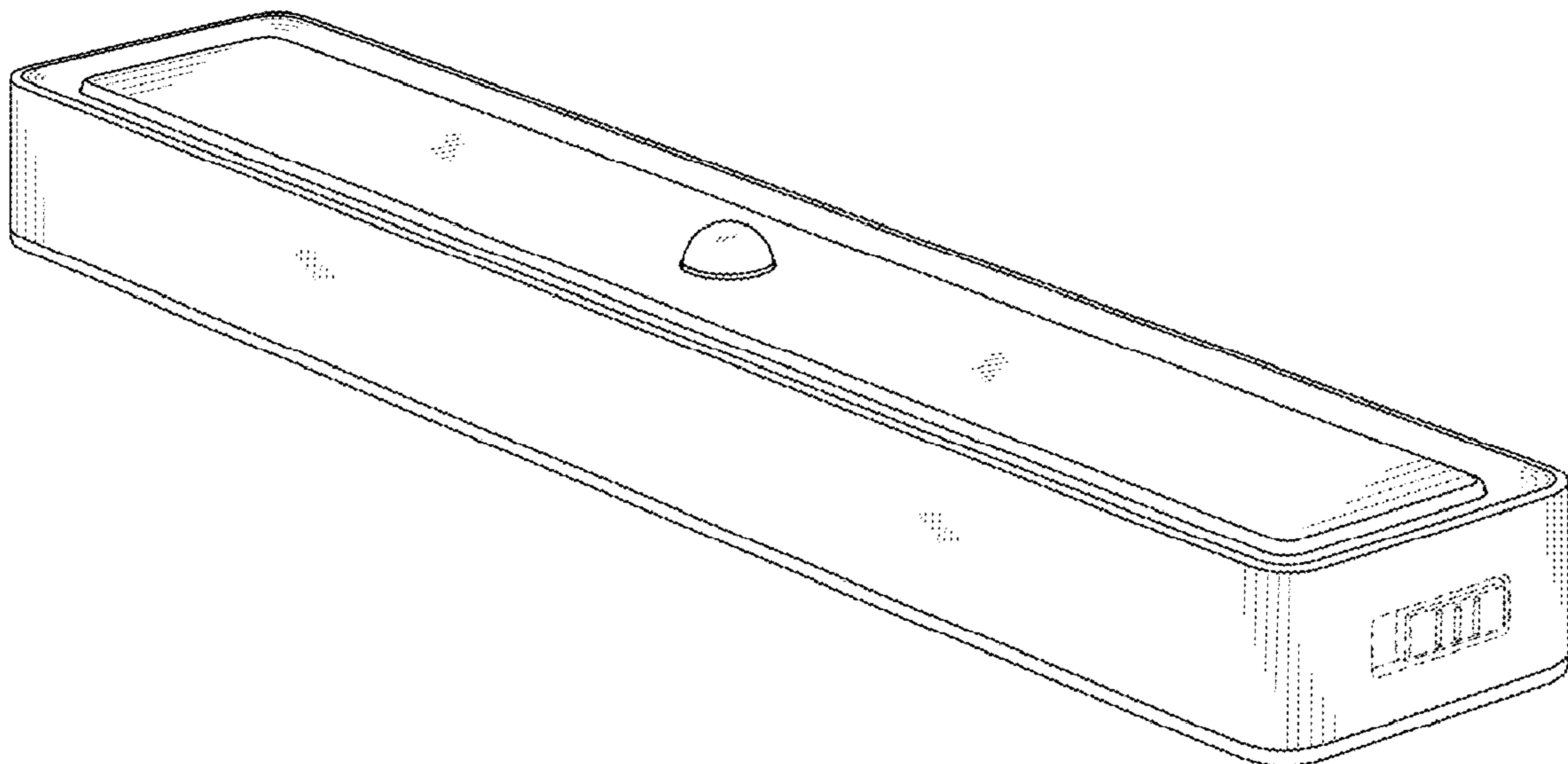
FIG. 6 is a right view thereof;

FIG. 7 is a top view thereof; and,

FIG. 8 is a bottom view thereof.

The broken lines in the drawings show portions of the light fixture which form no part of the claimed design.

**1 Claim, 8 Drawing Sheets**



(56)

**References Cited**

U.S. PATENT DOCUMENTS

D935,680	S	*	11/2021	Yuan	.....	D26/76
D938,086	S	*	12/2021	Yang	.....	D26/85
D938,087	S	*	12/2021	Zou	.....	D26/85
D938,639	S	*	12/2021	Yang	.....	D26/85
D938,640	S	*	12/2021	Zou	.....	D26/85
D945,045	S	*	3/2022	Shen	.....	D26/85
D945,046	S	*	3/2022	Shen	.....	D26/85
D963,227	S	*	9/2022	Wu	.....	D26/85

OTHER PUBLICATIONS

Light It! 20-LED Anywhere Light. First available unknown. Searched on Nov. 7, 2022. [<https://www.lowes.com/pd/Light-It-20-LED-Anywhere-Light/5005553223>] (Year: 2022).\*

Good Earth Lighting, Ecolight 9-inch Bar Light. First available Jul. 24, 2021. Searched on Nov. 7, 2022. [<https://www.amazon.com/dp/B09B4KXXCJ/>] (Year: 2021).\*

Tekstap, Closet Light. First available May 23, 2022. Searched on Nov. 7, 2022. [<https://www.amazon.com/Sensored-Wireless-Magnetic-Rechargeable-Wardrobe/dp/B0B21W79YC/>] (Year: 2022).\*

\* cited by examiner

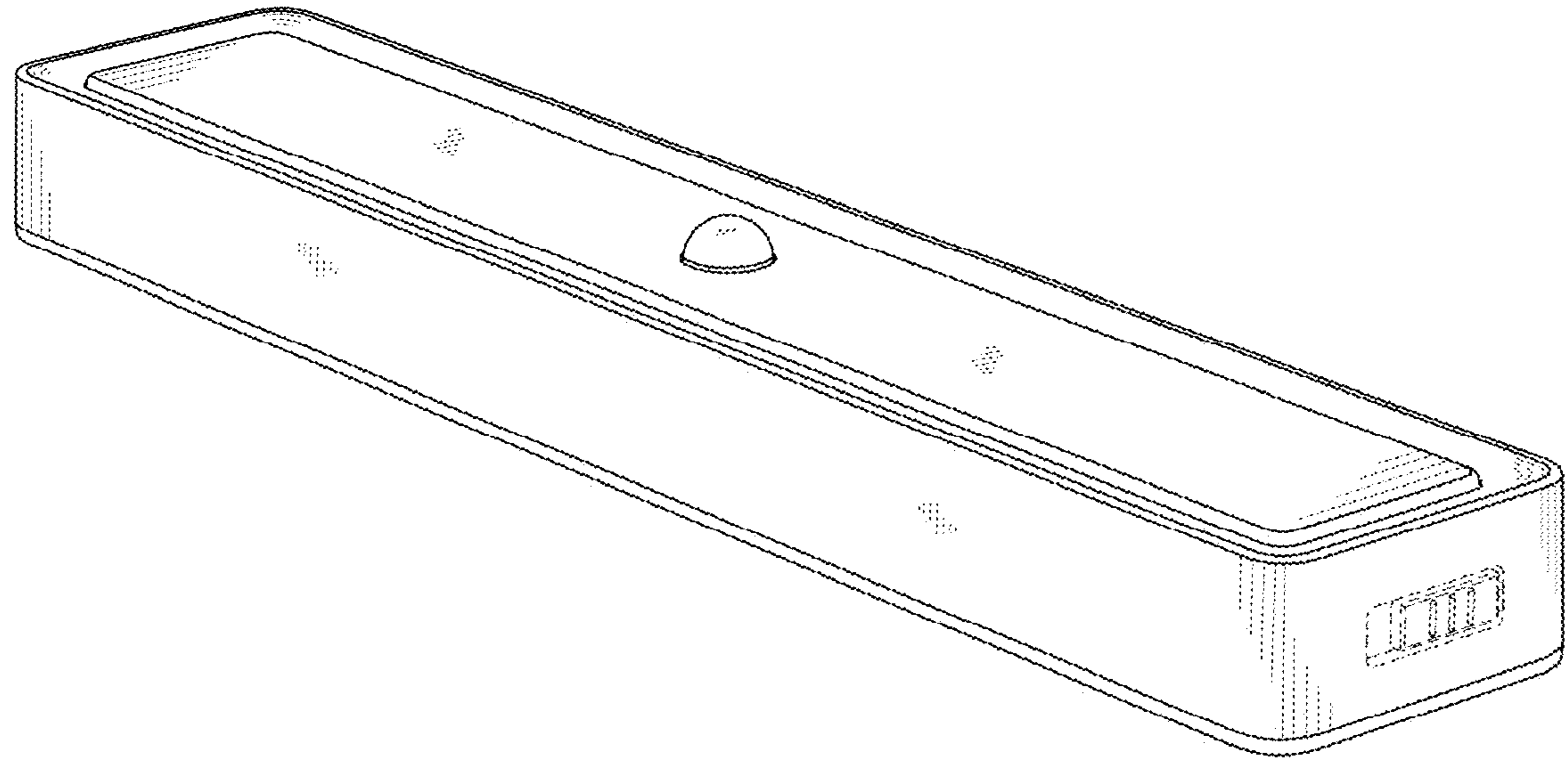


FIG. 1

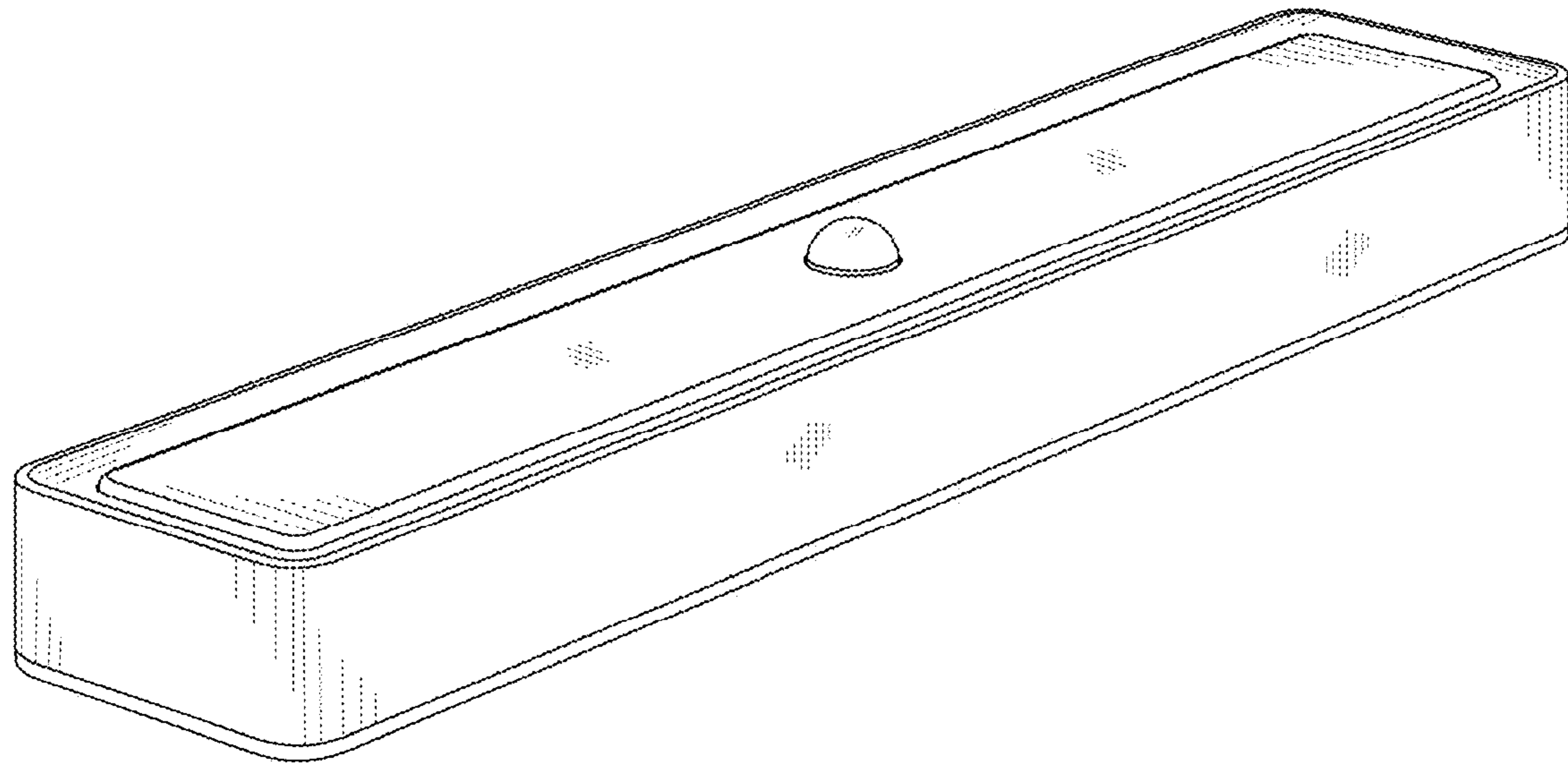


FIG. 2

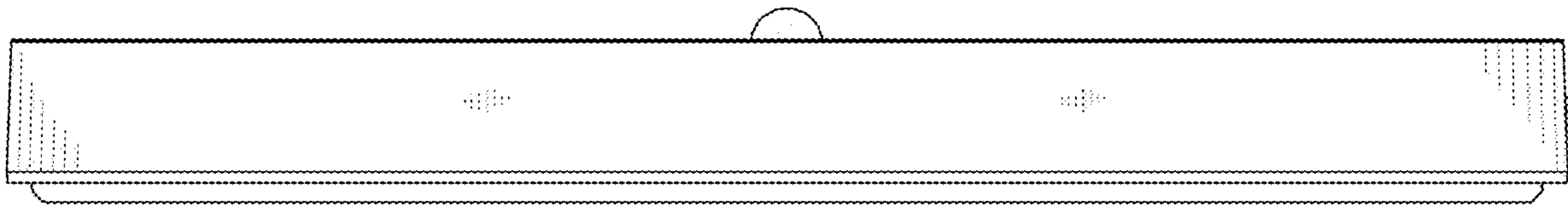


FIG. 3

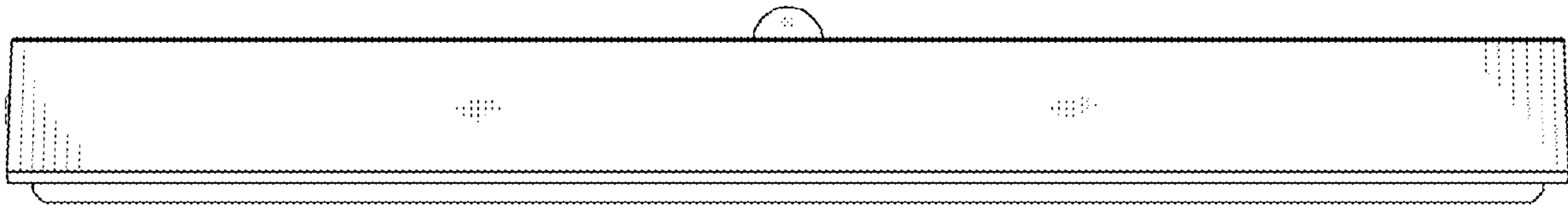


FIG. 4

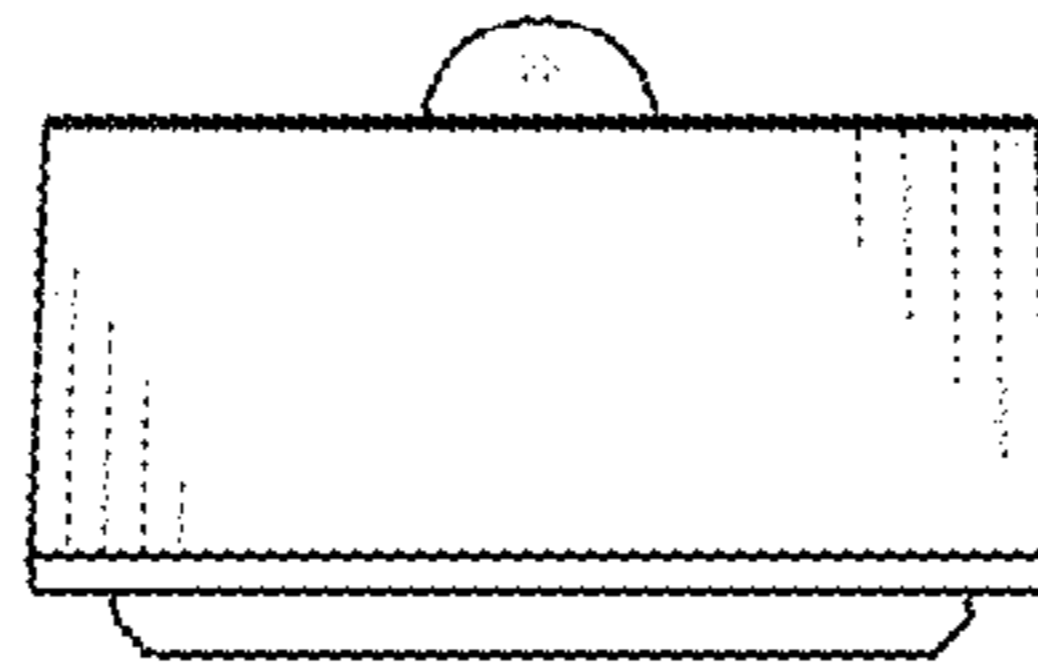


FIG. 5

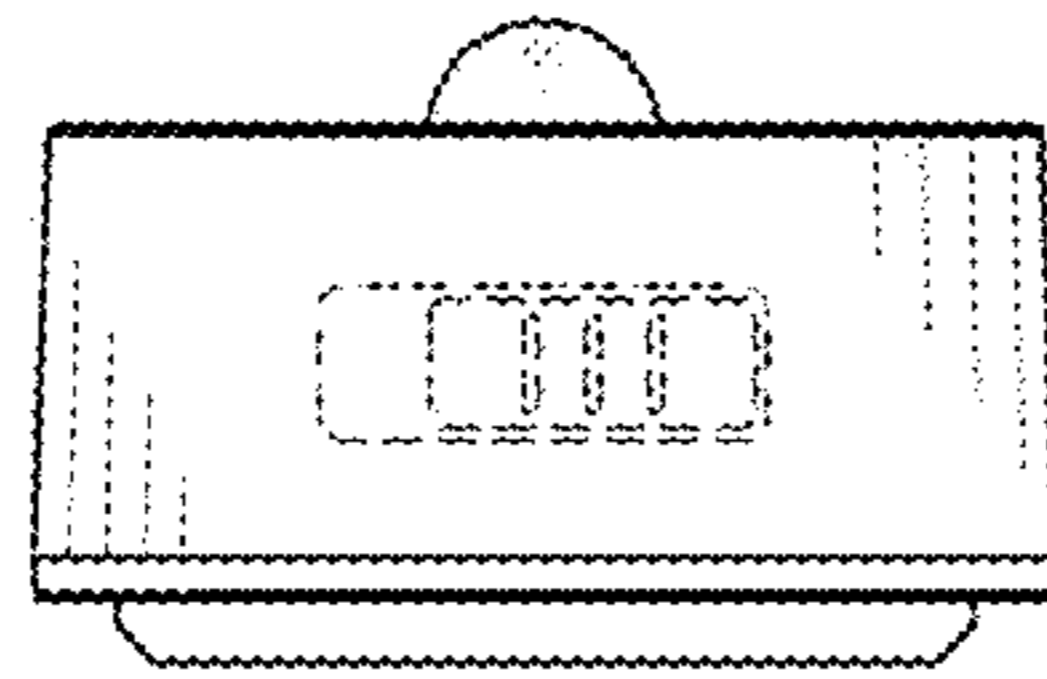


FIG. 6



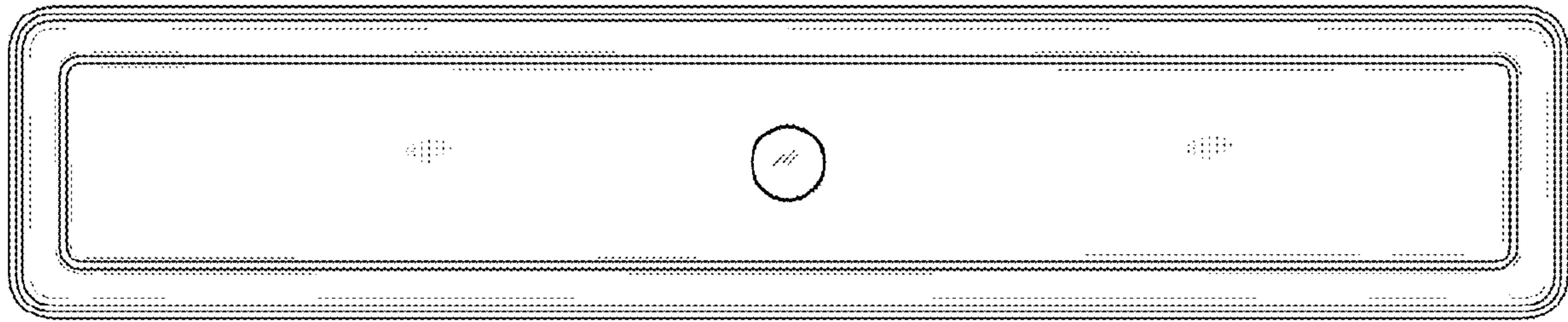


FIG. 7

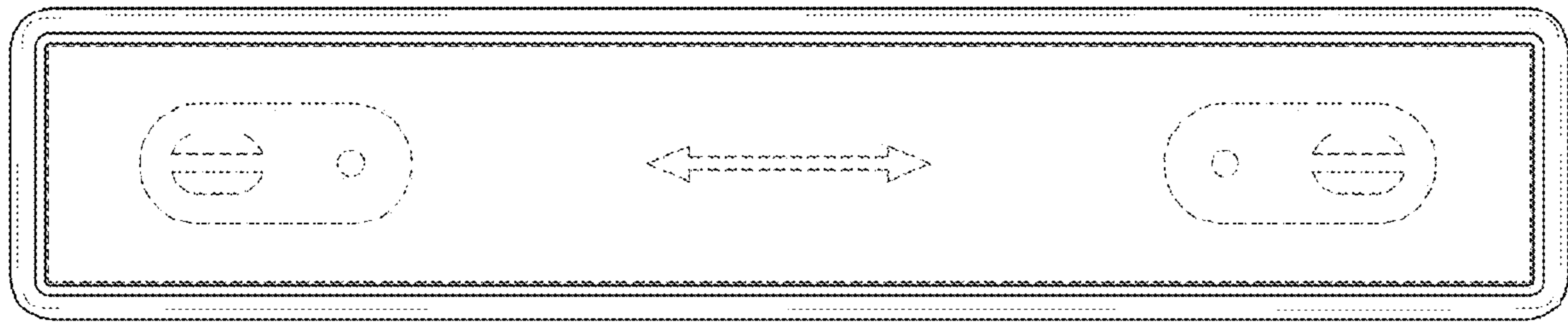


FIG. 8