



US00D984012S

(12) **United States Design Patent**  
**Kuang**

(10) **Patent No.:** **US D984,012 S**  
(45) **Date of Patent:** **\*\* Apr. 18, 2023**

(54) **LED PANEL**

(71) Applicant: **ShenZhen Sunny Xiao Technology Co., Ltd.**, Shenzhen (CN)

(72) Inventor: **Xiao Kuang**, Shenzhen (CN)

(73) Assignee: **ShenZhen Sunny Xiao Technology Co., Ltd.**, Shenzhen (CN)

(\*\*) Term: **15 Years**

(21) Appl. No.: **29/809,828**

(22) Filed: **Sep. 30, 2021**

(30) **Foreign Application Priority Data**

Sep. 23, 2021 (CN) ..... 202130631641.8

(51) **LOC (14) Cl.** ..... **26-05**

(52) **U.S. Cl.**  
USPC ..... **D26/65; D26/61**

(58) **Field of Classification Search**  
USPC .... D26/24, 37, 61, 63-65, 76, 72, 118, 138;  
D16/237, 239; 362/362

(Continued)

(56) **References Cited**

**U.S. PATENT DOCUMENTS**

D645,184 S \* 9/2011 Zhan ..... D26/63  
D693,397 S \* 11/2013 Zhan ..... D26/63

(Continued)

**FOREIGN PATENT DOCUMENTS**

CN 304034412 \* 2/2017  
GB 9005307998-0002 \* 6/2018

**OTHER PUBLICATIONS**

Yidoblo AI-3000C RGB LED Video Light, available in Amazon.com, date first available May 29, 2019 [online], [site visited Nov. 30, 2022]. Available from the internet URL: <https://www.amazon.com>

com/AI-3000C-Dimmable-2800k-9990k-Lighting-powerCON/dp/B07SC8LXVM?th=1 (Year: 2019).\*

(Continued)

*Primary Examiner* — Jennifer L Rempfer

*Assistant Examiner* — Jasmine L. Comedy

(74) *Attorney, Agent, or Firm* — ScienBiziP, P.C.

(57) **CLAIM**

The ornamental design for a LED panel, as shown and described.

**DESCRIPTION**

FIG. 1 is a front, right, and top perspective view of a LED panel, showing my design.

FIG. 2 is a rear, left, and bottom perspective view thereof.

FIG. 3 is a front elevation view thereof.

FIG. 4 is a rear elevation view thereof.

FIG. 5 is a left side elevation view thereof.

FIG. 6 is a right side elevation view thereof.

FIG. 7 is a top plan view thereof.

FIG. 8 is a bottom plan view thereof.

FIG. 9 is a partial enlarged view of an area labeled 9 in FIG. 1 comprising a groove.

FIG. 10 is a partial enlarged view of an area labeled 10 in FIG. 1 comprising an adjusting knob.

FIG. 11 is a partial enlarged view of an area labeled 11 in FIG. 2 comprising a groove.

FIG. 12 is a partial enlarged view of an area labeled 12 in FIG. 2 comprising a radiating hole.

FIG. 13 is a partial enlarged view of an area labeled 13 in FIG. 2 comprising a groove.

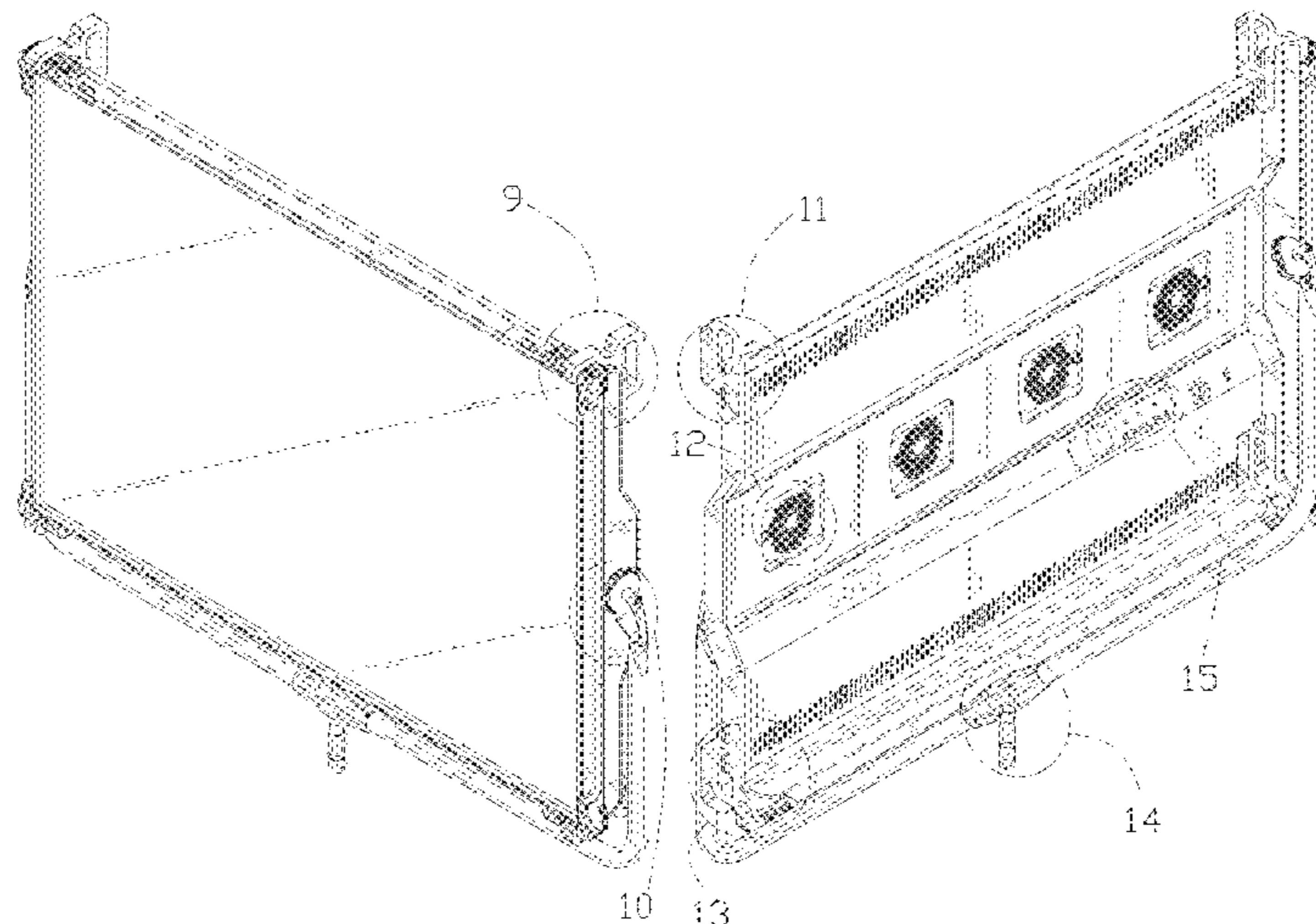
FIG. 14 is a partial enlarged view of an area labeled 14 in FIG. 2 comprising a support part; and,

FIG. 15 is a partial enlarged view of an area labeled 15 in FIG. 2 comprising an adjustment button.

The broken lines shown in the drawings are included for the purpose of illustrating portions of the LED panel that form no part of the claimed design.

The dash-dot broken lines represent boundary lines of the enlarged views and form no part of the claimed design.

**1 Claim, 15 Drawing Sheets**



(58) **Field of Classification Search**

CPC ..... G03B 17/561; G03B 15/02; G03B 15/07;  
 G03B 15/06; F21V 13/02; F21V 3/06;  
 F21V 19/04

See application file for complete search history.

(56) **References Cited**

U.S. PATENT DOCUMENTS

D711,577	S	*	8/2014	Zhan	.....	D26/65
D814,678	S	*	4/2018	Zhan	.....	D26/63
D869,544	S	*	12/2019	Zhan	.....	D16/237
D884,245	S	*	5/2020	Ke	.....	D26/65
D887,605	S	*	6/2020	Zhan	.....	D26/61
D900,379	S	*	10/2020	McLaughlin	.....	D26/118
D901,059	S	*	11/2020	Su	.....	D26/72
D921,260	S	*	6/2021	Ke	.....	D26/65
D922,670	S	*	6/2021	Wendling	.....	D26/138
D969,199	S	*	11/2022	Feng	.....	D26/63
2017/0202067	A1	*	7/2017	Lin	.....	F21V 3/06

OTHER PUBLICATIONS

Fotodiox Pro Factor 1x2 V-4000ASVL Bicolor Dimmable Studio Light, available in Amazon.com, date first available Mar. 29, 2017 [online], [site visited Nov. 30, 2022], Available from the internet URL: <https://www.amazon.com/Fotodiox-FACTOR-V-4000ASVL-Bicolor-Dimmable/dp/B06XXS6RZG> (Year: 2017).\*

LED Panel vs Point Source, announced in YouTube on Nov. 16, 2020 [online], [site visited Nov. 30, 2022], Available from the internet URL: <https://www.youtube.com/watch?v=N4H-kGarCWM> (Year: 2020).\*

Aputure NOVA P300c RGBWW LED Panel, available in bhphotovideo.com, customer review oldest date Aug. 8, 2020 [online], [site visited Nov. 30, 2022], Available from the internet URL: [https://www.bhphotovideo.com/c/product/1567538-REG/aputure\\_novap300ckit\\_nova\\_p300c\\_pnl\\_lt.html/reviews](https://www.bhphotovideo.com/c/product/1567538-REG/aputure_novap300ckit_nova_p300c_pnl_lt.html/reviews) (Year: 2020).\*

\* cited by examiner

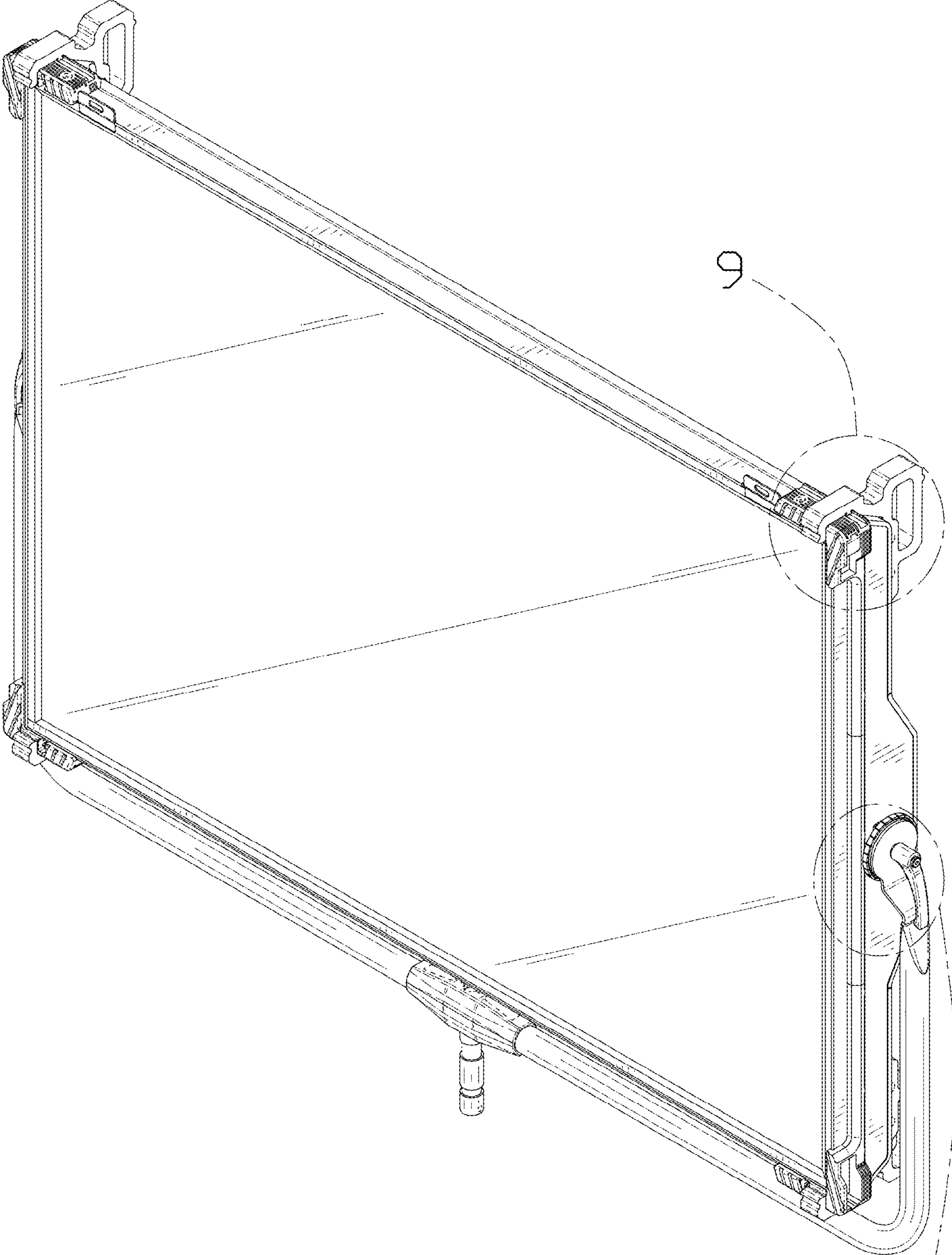


FIG. 1

10



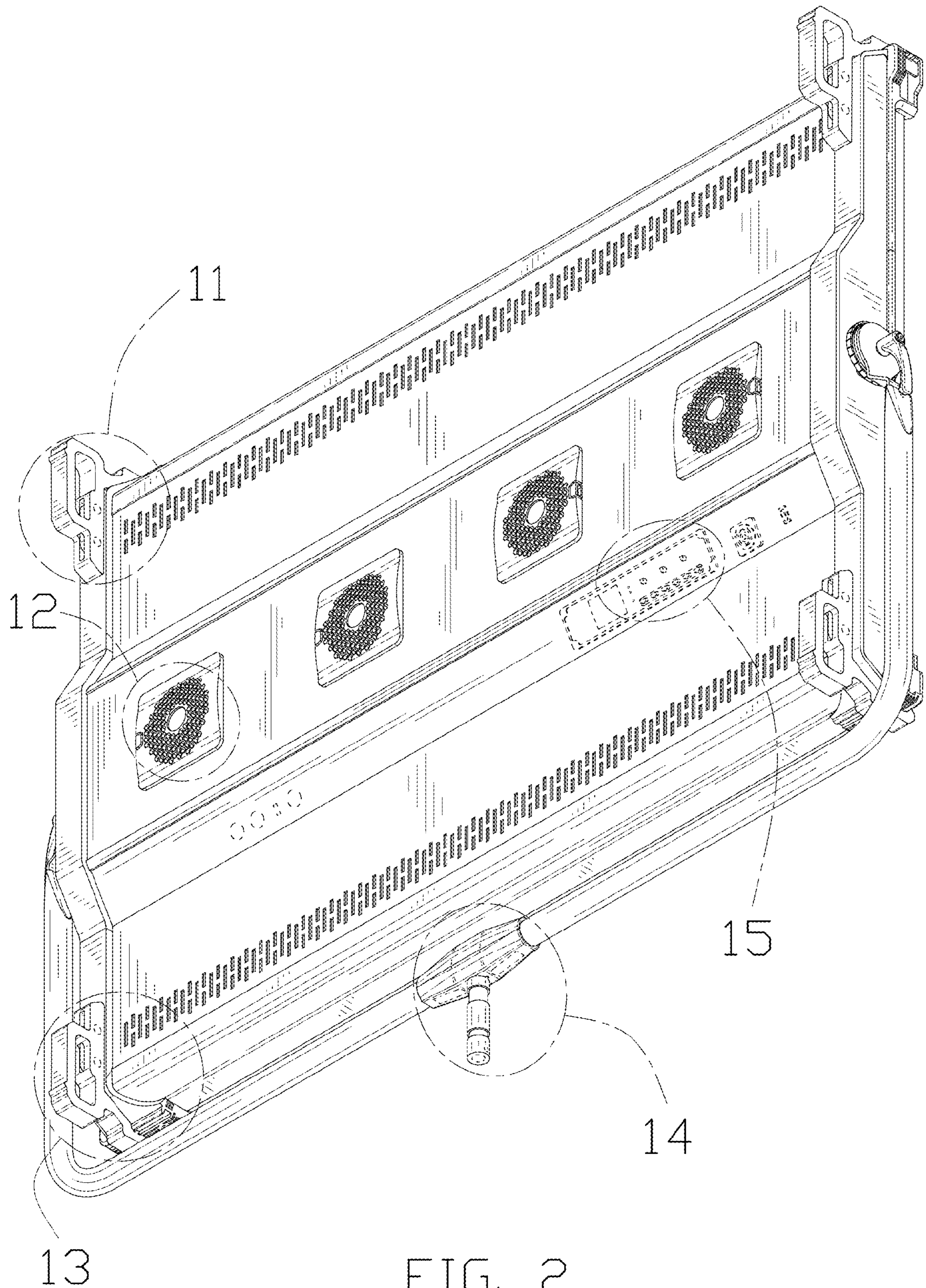


FIG. 2

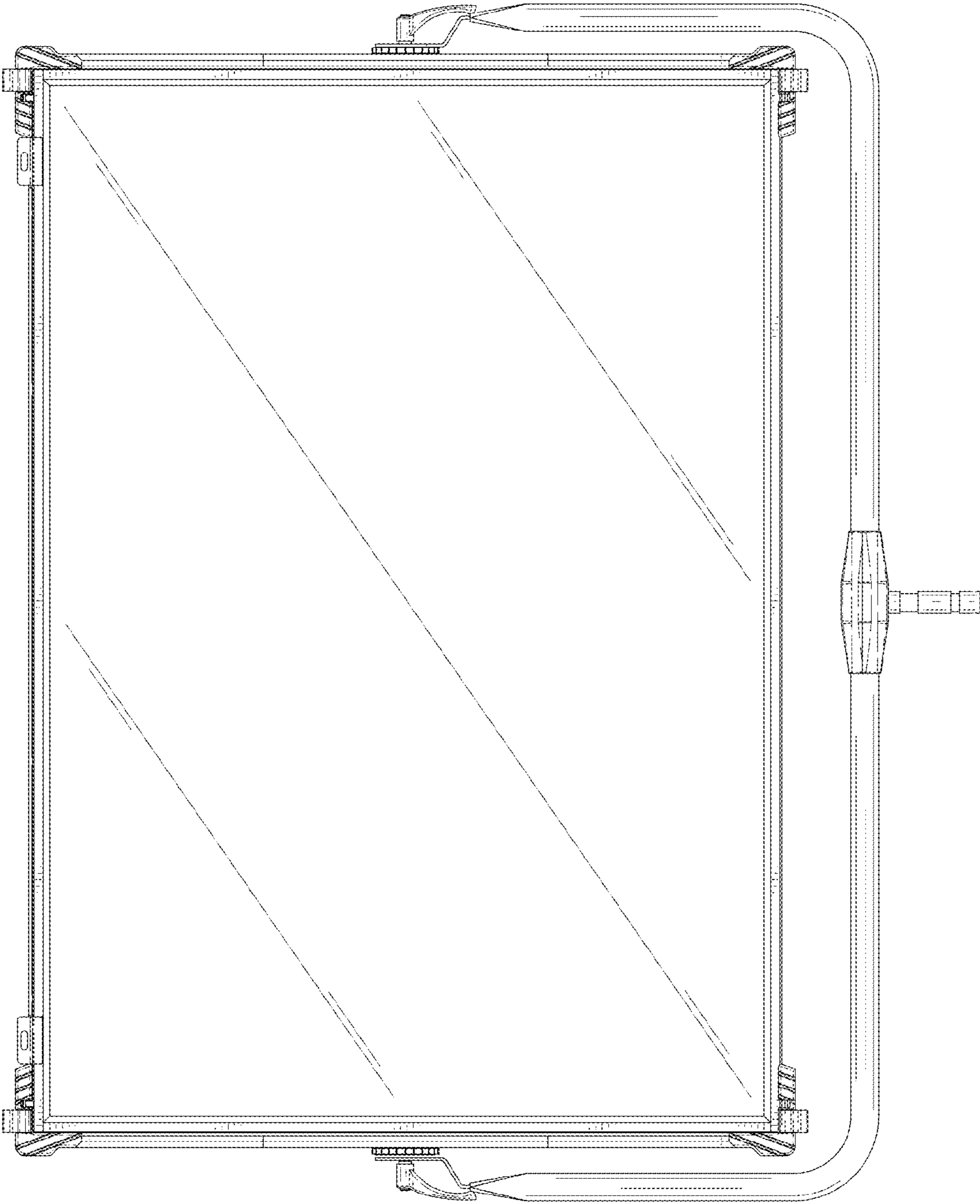


FIG. 3



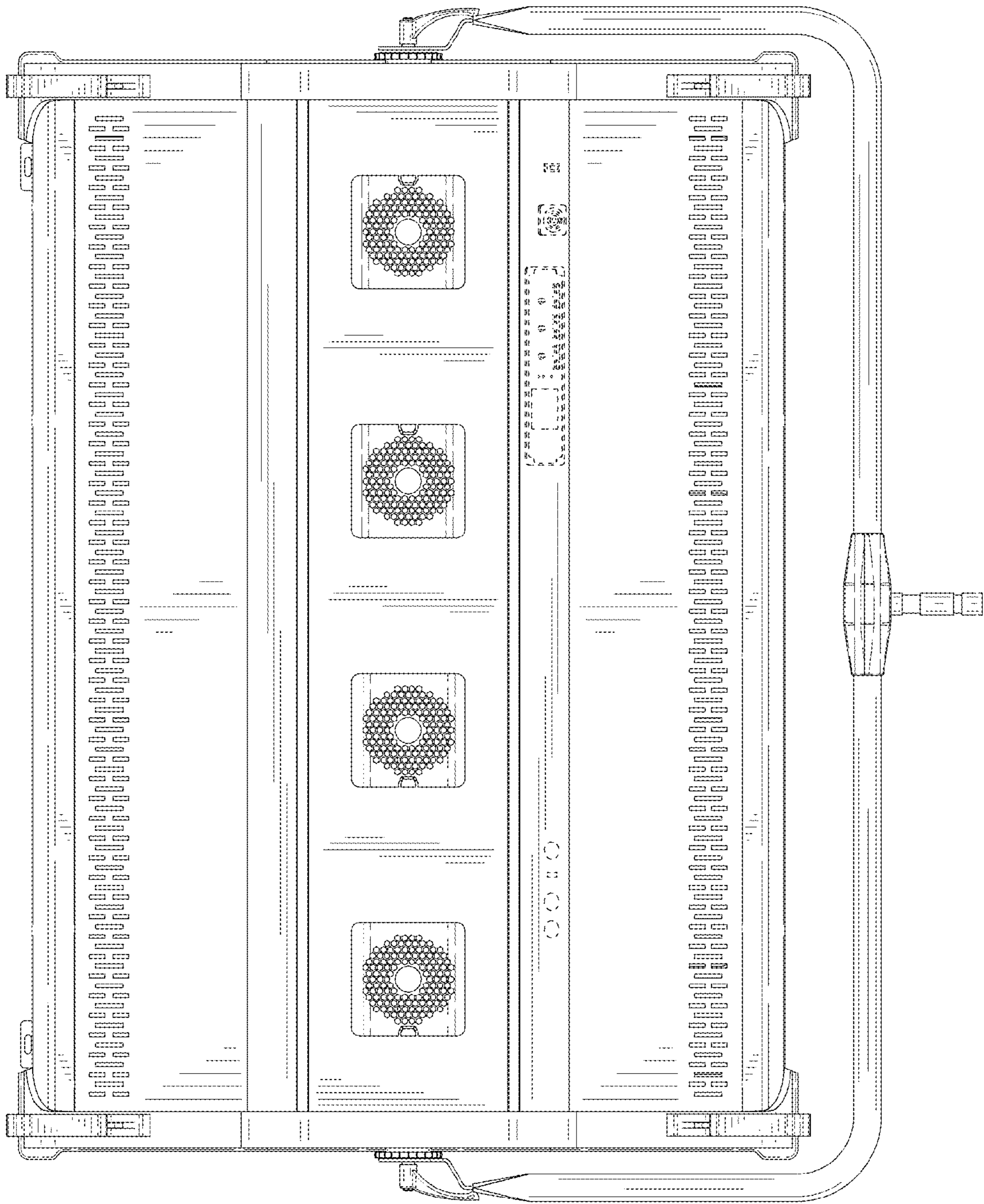


FIG. 4

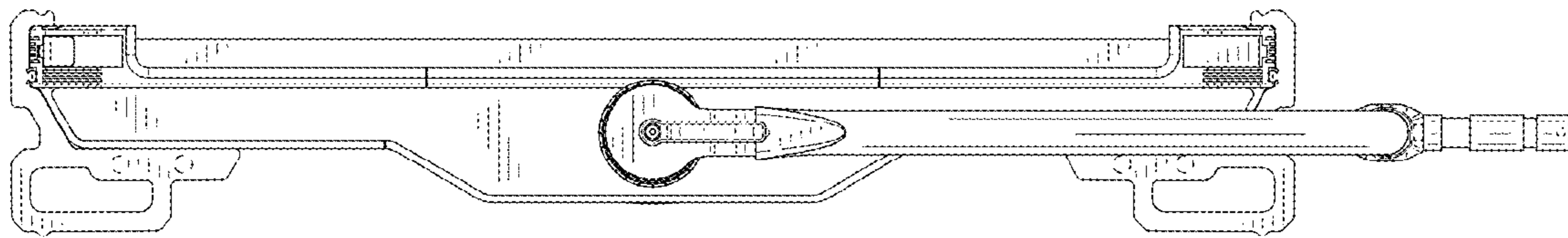


FIG. 5

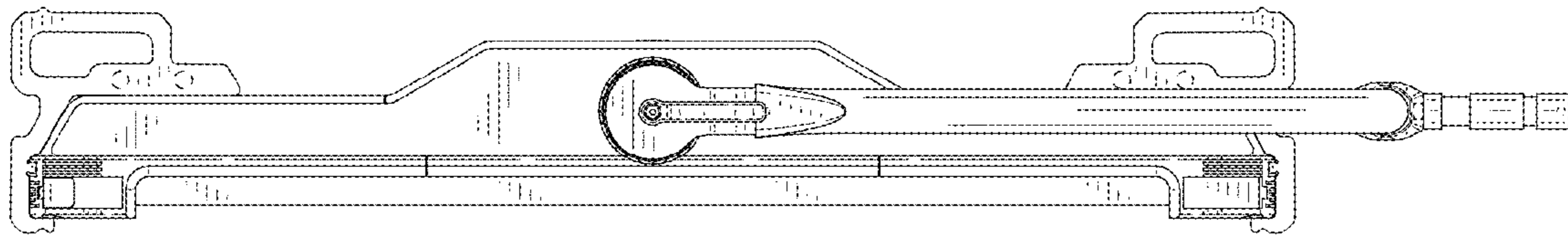


FIG. 6



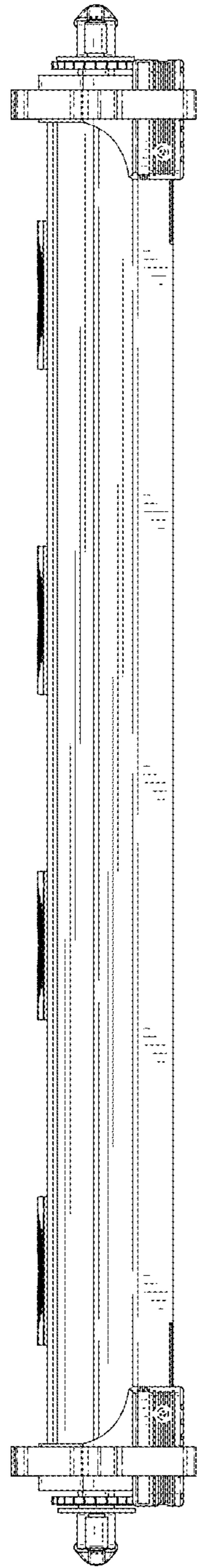


FIG. 7

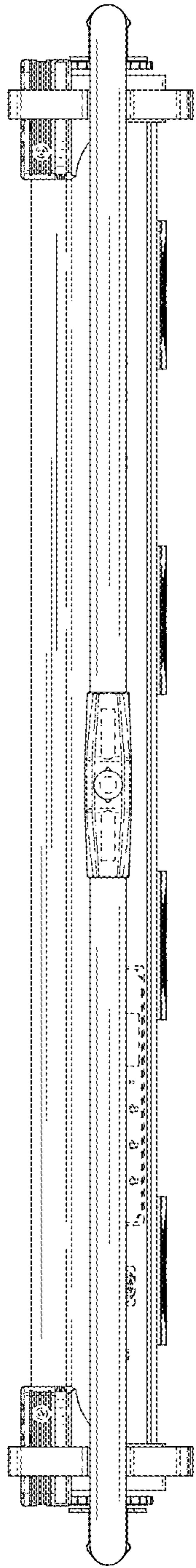


FIG. 8

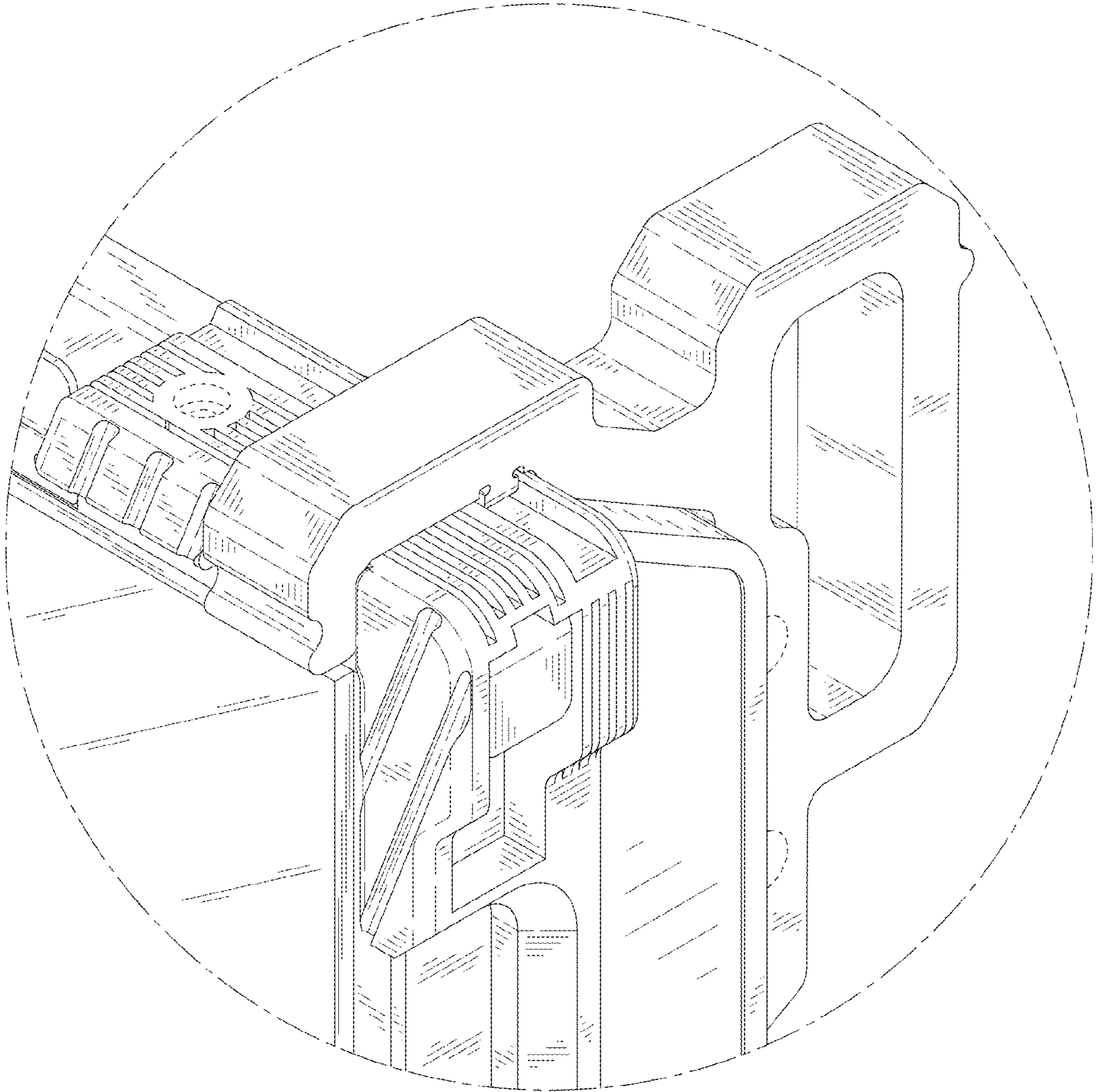


FIG. 9



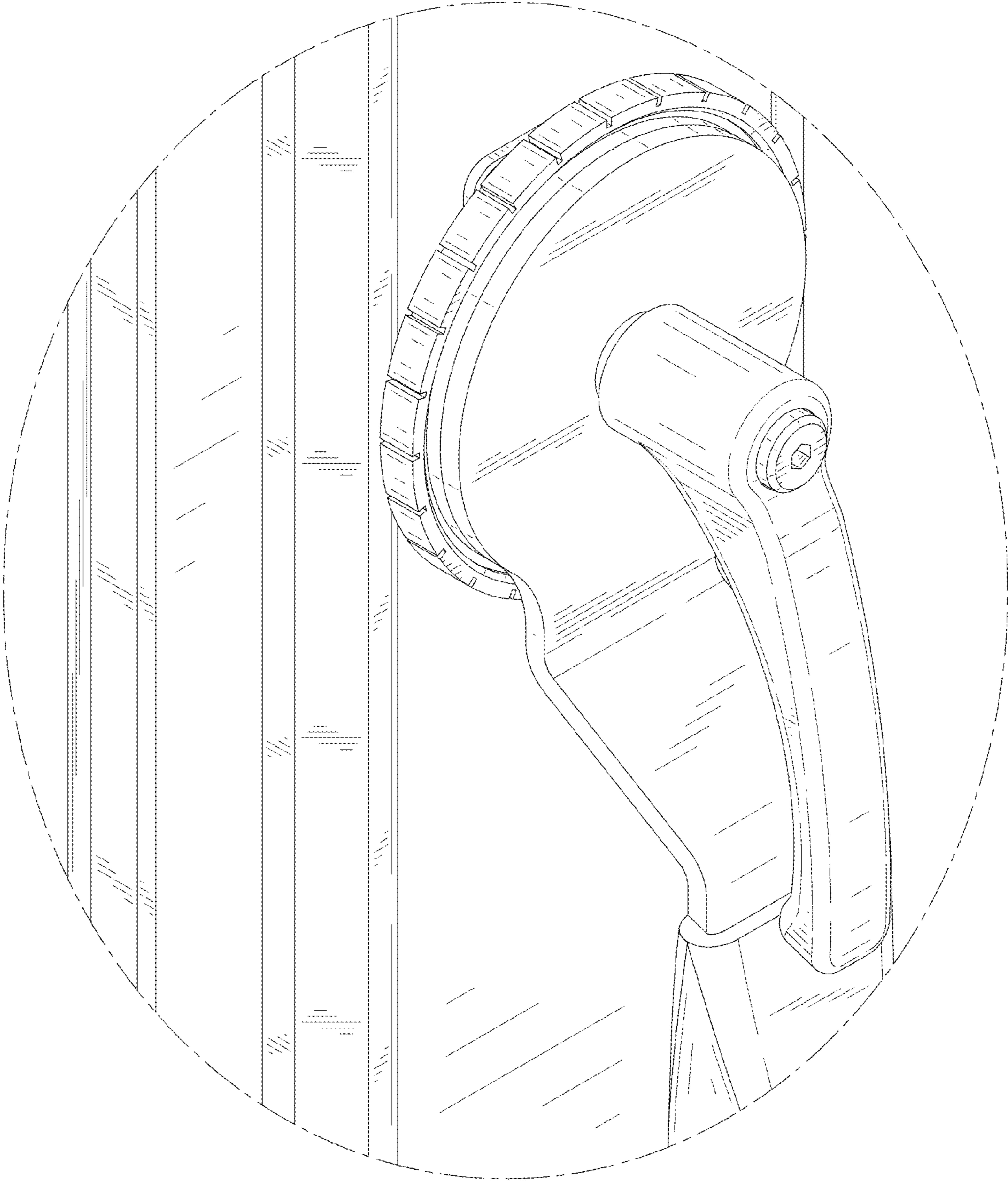


FIG. 10

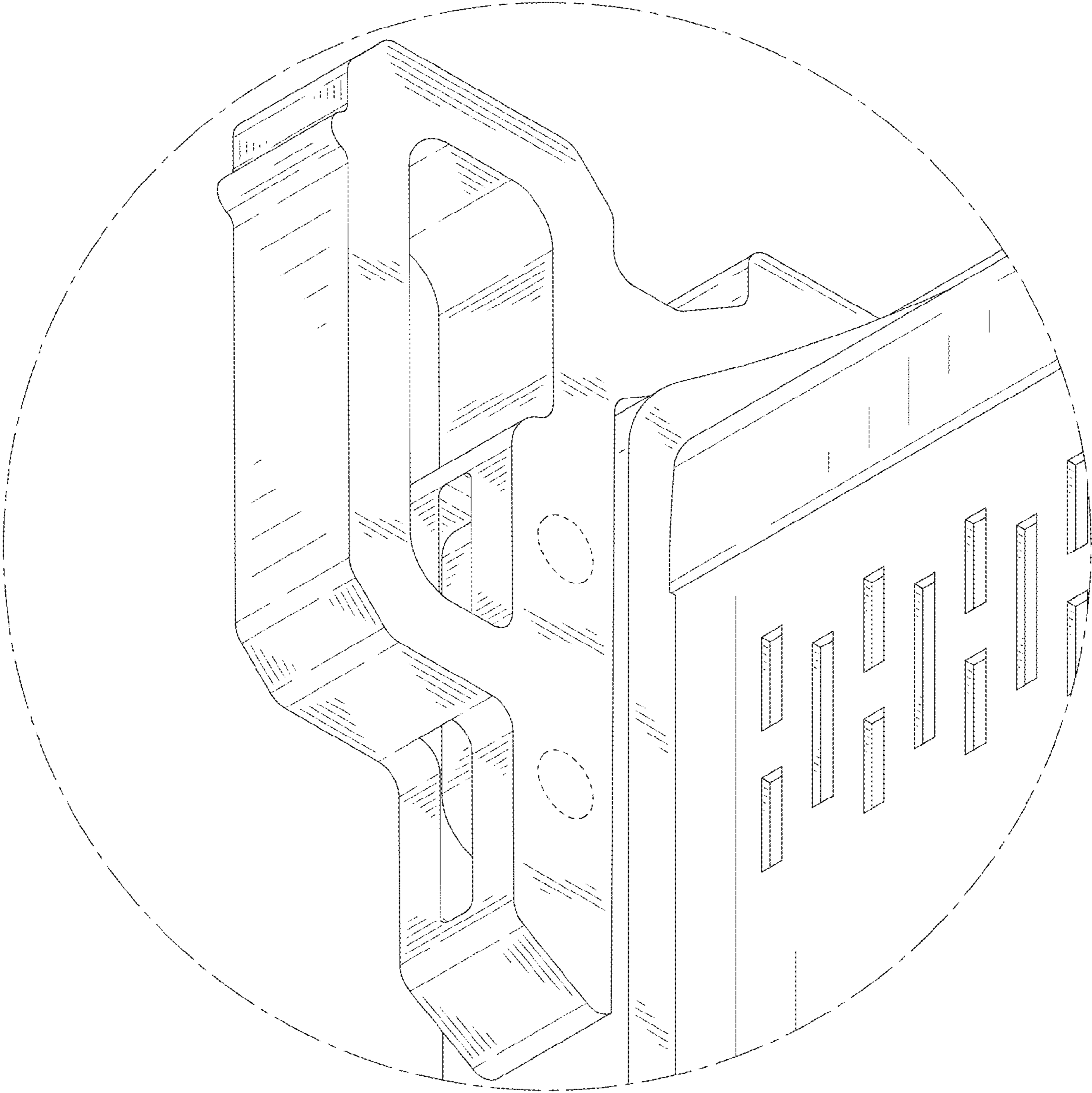


FIG. 11

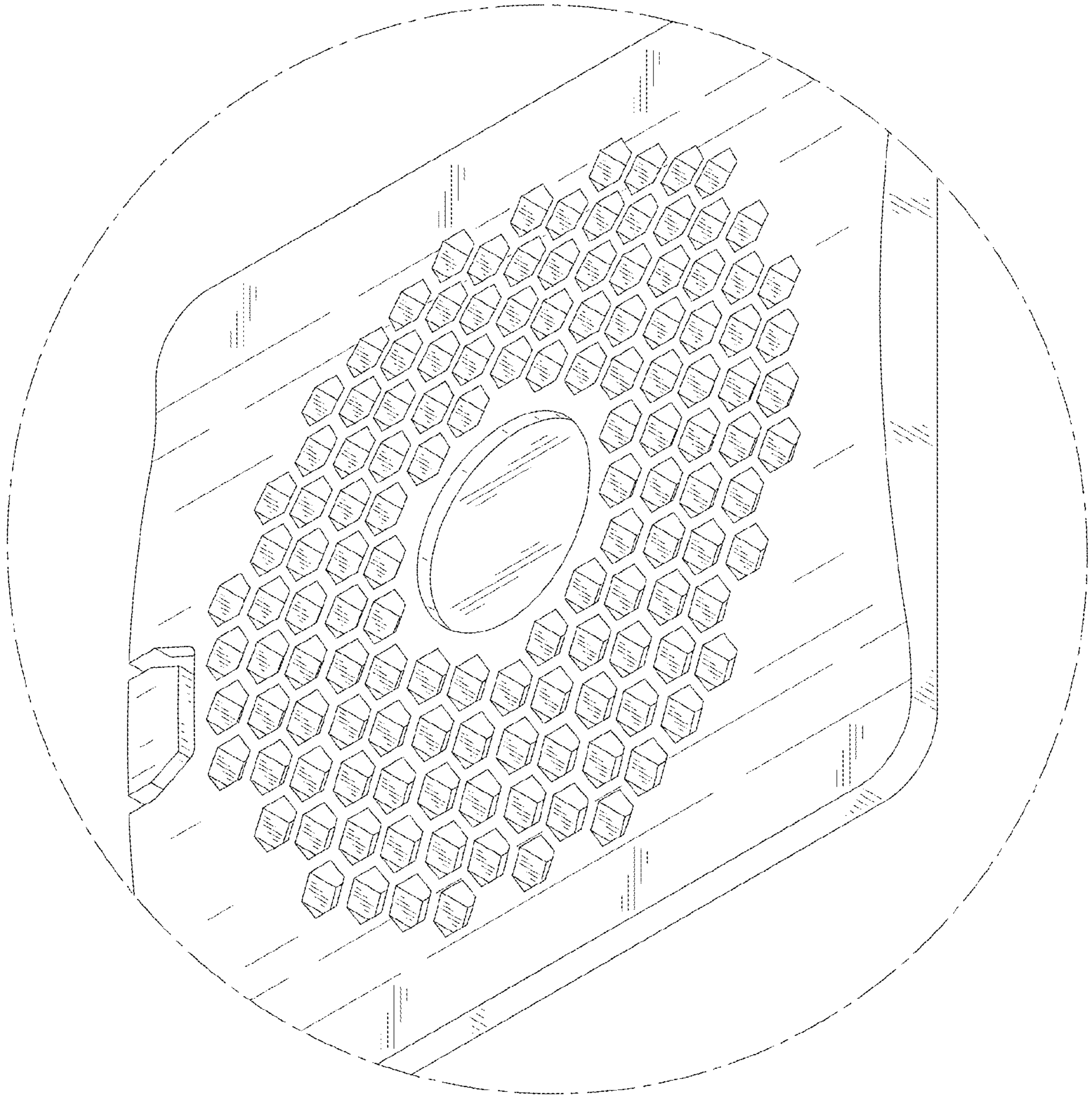


FIG. 12



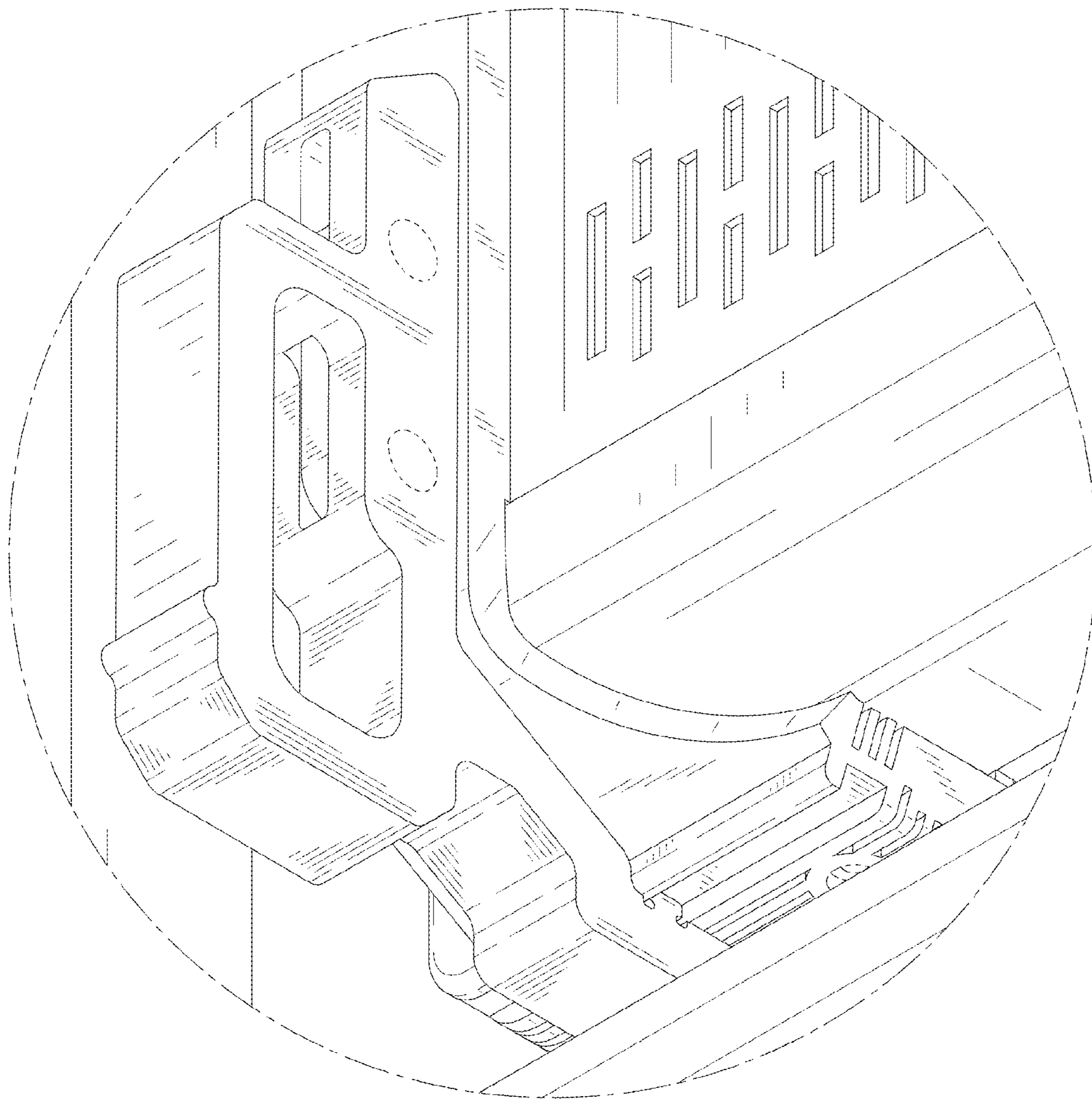


FIG. 13

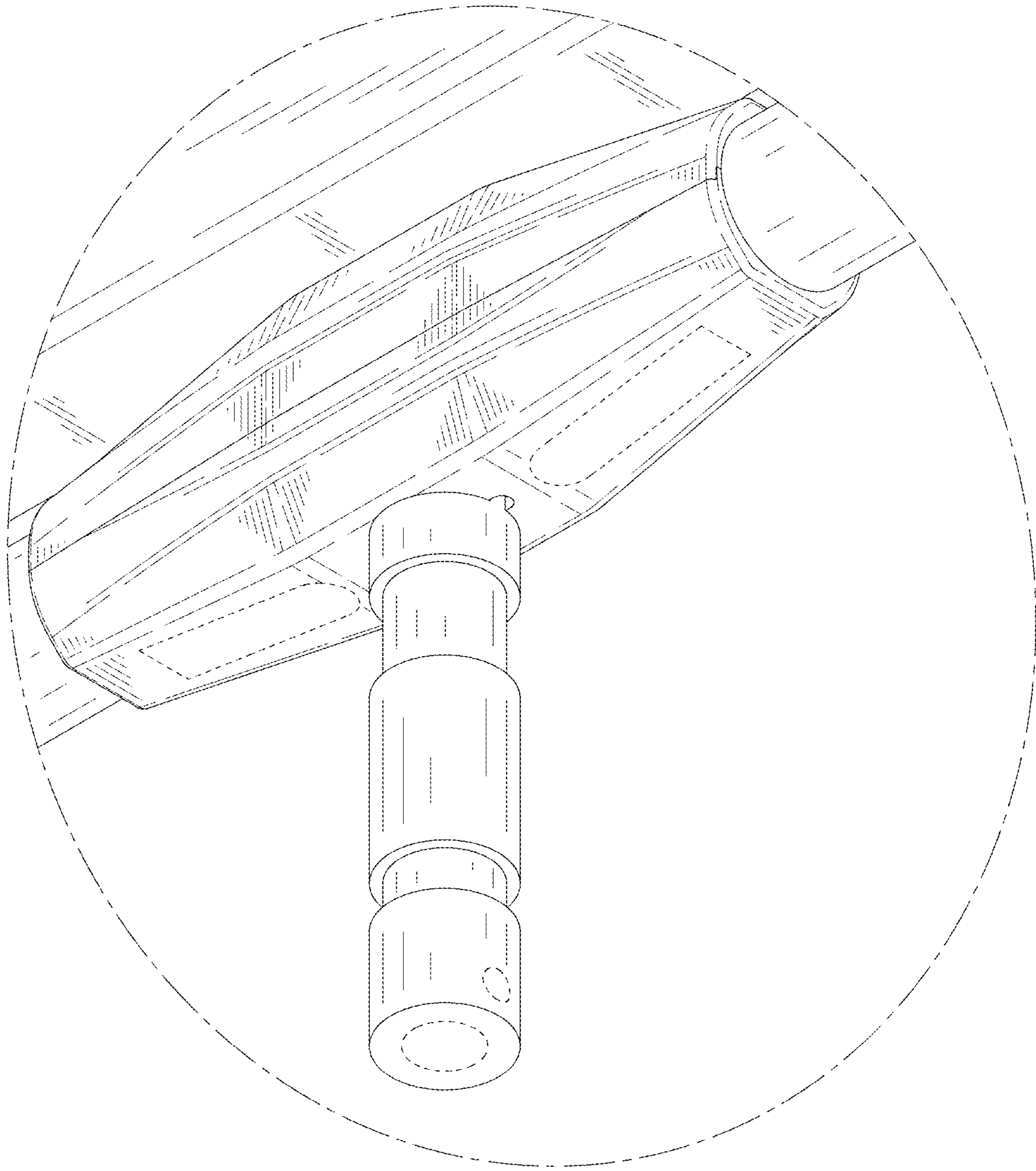


FIG. 14

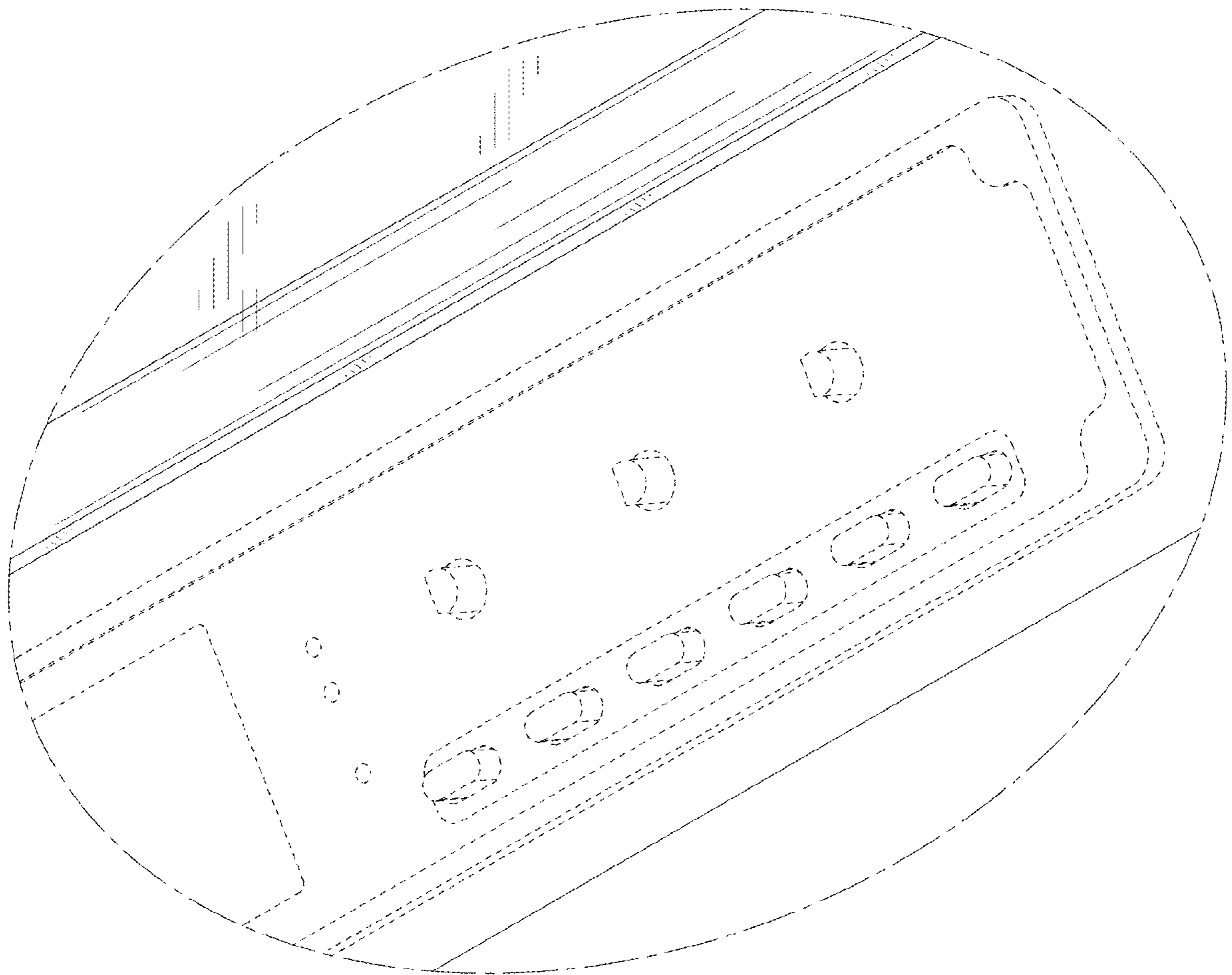


FIG. 15