



US00D984011S

(12) **United States Design Patent**
Yan

(10) **Patent No.:** **US D984,011 S**
(45) **Date of Patent:** **** Apr. 18, 2023**

(54) **SOLAR LIGHT**

D957,024 S * 7/2022 Chen D26/63
D961,830 S 8/2022 You
D965,189 S 9/2022 Liao

(71) Applicant: **Wangquan Yan**, Ningbo (CN)

(72) Inventor: **Wangquan Yan**, Ningbo (CN)

(**) Term: **15 Years**

(21) Appl. No.: **29/862,285**

(22) Filed: **Dec. 8, 2022**

(51) **LOC (14) Cl.** **26-05**

(52) **U.S. Cl.**
USPC **D26/63**; D10/106.8

(58) **Field of Classification Search**
USPC D26/24, 61, 63-77, 85, 87, 92; D13/102;
D10/106.6-106.8
CPC .. F21S 8/033; F21S 8/036; F21S 8/024; F21S
8/03

See application file for complete search history.

(56) **References Cited**

U.S. PATENT DOCUMENTS

D608,924 S *	1/2010	Snyder	D13/102
D677,419 S *	3/2013	Sauvage	D26/92
D714,481 S *	9/2014	Moeller	D26/63
D805,673 S *	12/2017	Dai	D26/63
D818,170 S *	5/2018	Mou	D26/63
D842,526 S *	3/2019	Zhuo	D26/85
D862,759 S *	10/2019	Mo	D26/65
D882,148 S	4/2020	He	
D887,606 S *	6/2020	Liu	D26/63
D892,380 S *	8/2020	Yan	D26/65
D908,253 S	1/2021	Hollinger	
D914,261 S	3/2021	Ouyang	
D914,942 S *	3/2021	Li	D26/63
D923,854 S	6/2021	Huang	
D926,348 S	7/2021	He	
D928,383 S	8/2021	Ye	
D939,753 S	12/2021	Chen	
D955,024 S	6/2022	Wu	

OTHER PUBLICATIONS

AmeriTop Solar Lights Outdoor, available in Amazon.com, date first available Sep. 11, 2019 [online], [site visited Jan. 17, 2023], Available from the internet URL: <https://www.amazon.com/AmeriTop-Wireless-Adjustable-Illumination-Waterproof/dp/B07XLF6QHV> (Year: 2019).*

(Continued)

Primary Examiner — Kathleen L Jones

Assistant Examiner — Jasmine L. Comedy

(74) *Attorney, Agent, or Firm* — Rumit Ranjit Kanakia

(57) **CLAIM**

The ornamental design for a solar light, as shown and described.

DESCRIPTION

FIG. 1 is a front perspective view of a solar light, showing my new design;

FIG. 2 is rear perspective view thereof;

FIG. 3 is a front elevational view thereof;

FIG. 4 is a rear elevational view thereof;

FIG. 5 is a left side view thereof;

FIG. 6 is a right side view thereof;

FIG. 7 is a top plan view thereof;

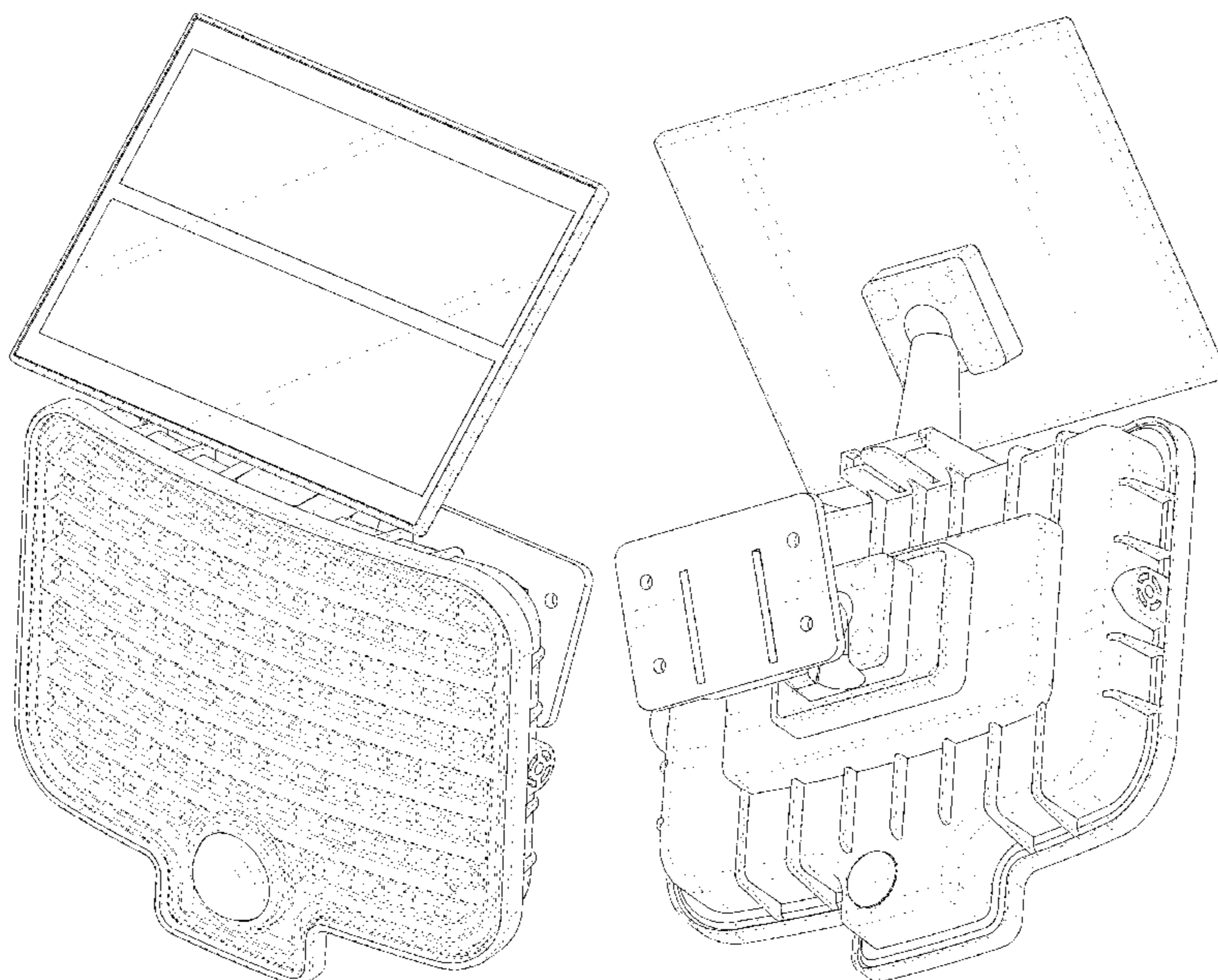
FIG. 8 is a bottom plan view thereof;

FIG. 9 is a front perspective view of the solar light in a detached state; and,

FIG. 10 is a rear perspective view of the solar light in a detached state.

The broken lines in the figures are for the purposes of illustrating portions of the solar light, which form no part of the claimed design.

1 Claim, 10 Drawing Sheets



(56)

References Cited

OTHER PUBLICATIONS

Motion Sensor Outdoor Lights, available in Amazon.com, date first available Dec. 18, 2021 [online], [site visited Jan. 17, 2023], Available from the internet URL: <https://a.co/d/dqrzS3F> (Year: 2021).*

LE Solar Flood Lights Outdoor, available in Amazon.com, date first available Jan. 22, 2021 [online], [site visited Jan. 17, 2023], Available from the internet URL: <https://a.co/d/espZHp1> (Year: 2021).*

Gongyu, Wei, CN-registration No. 306269662, Published at Orbit, publication date Jan. 5, 2021. Site visited Jan. 18, 2023. Available from Internet. (Year: 2021).*

* cited by examiner

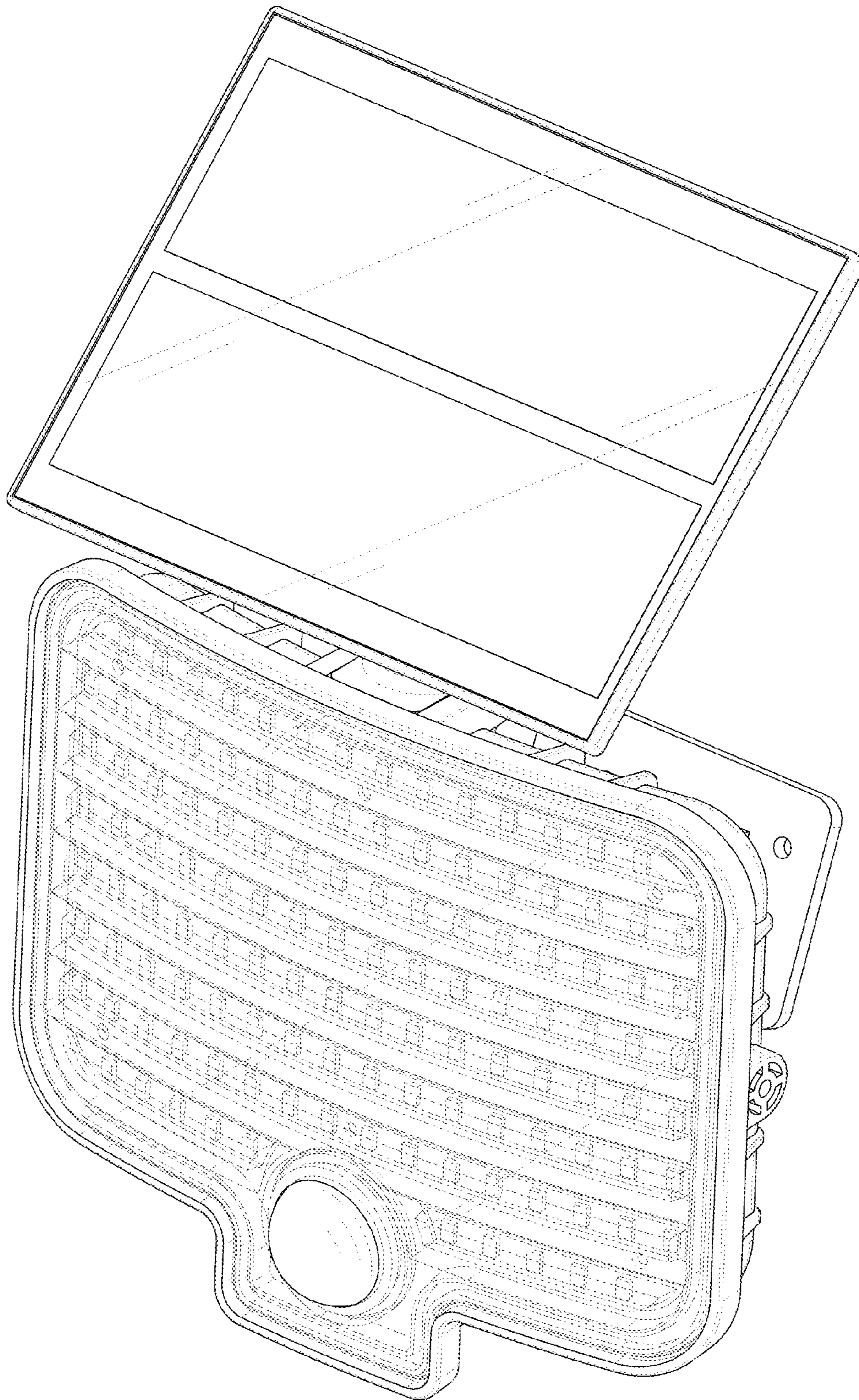


FIG. 1

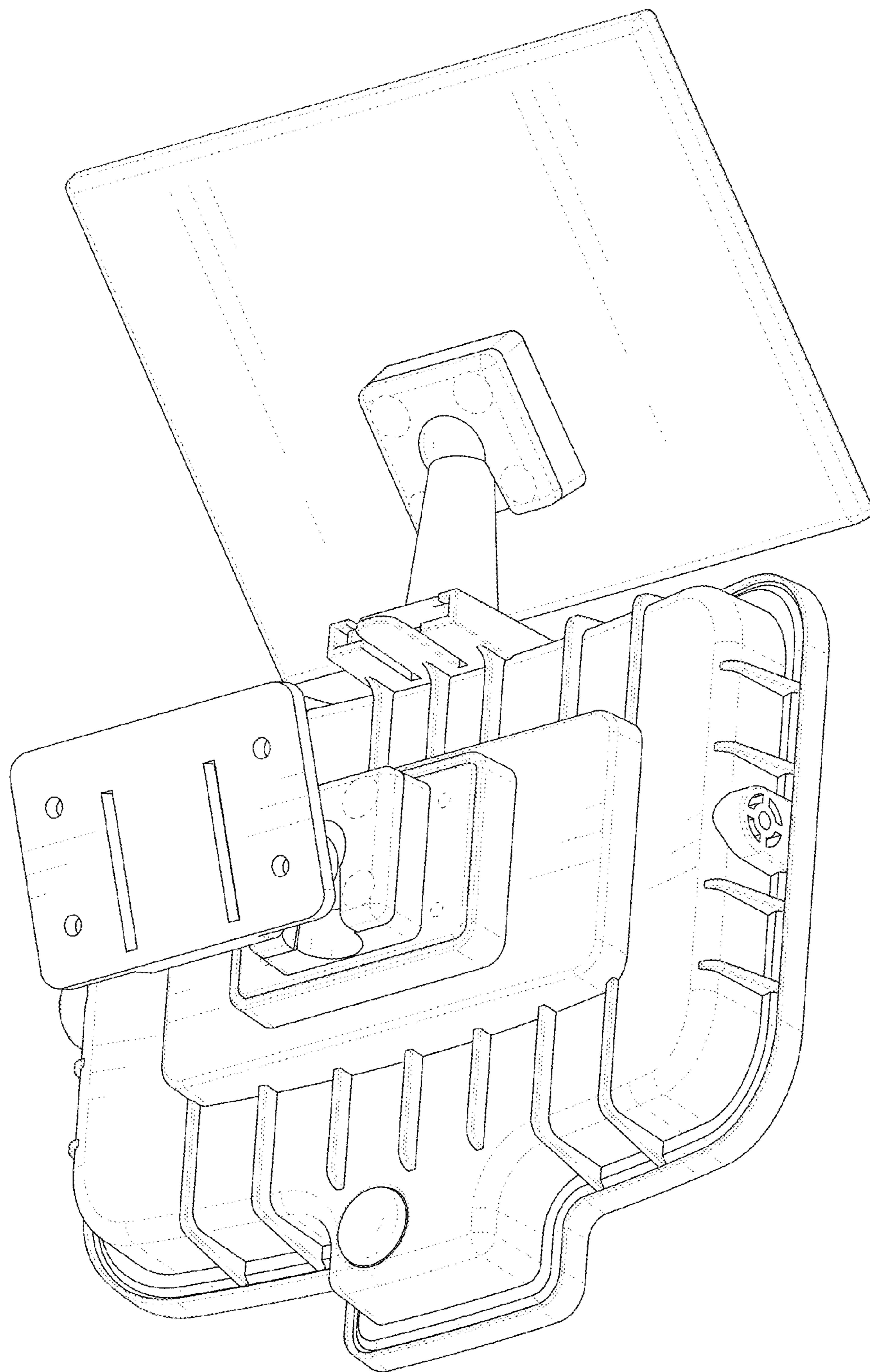


FIG. 2

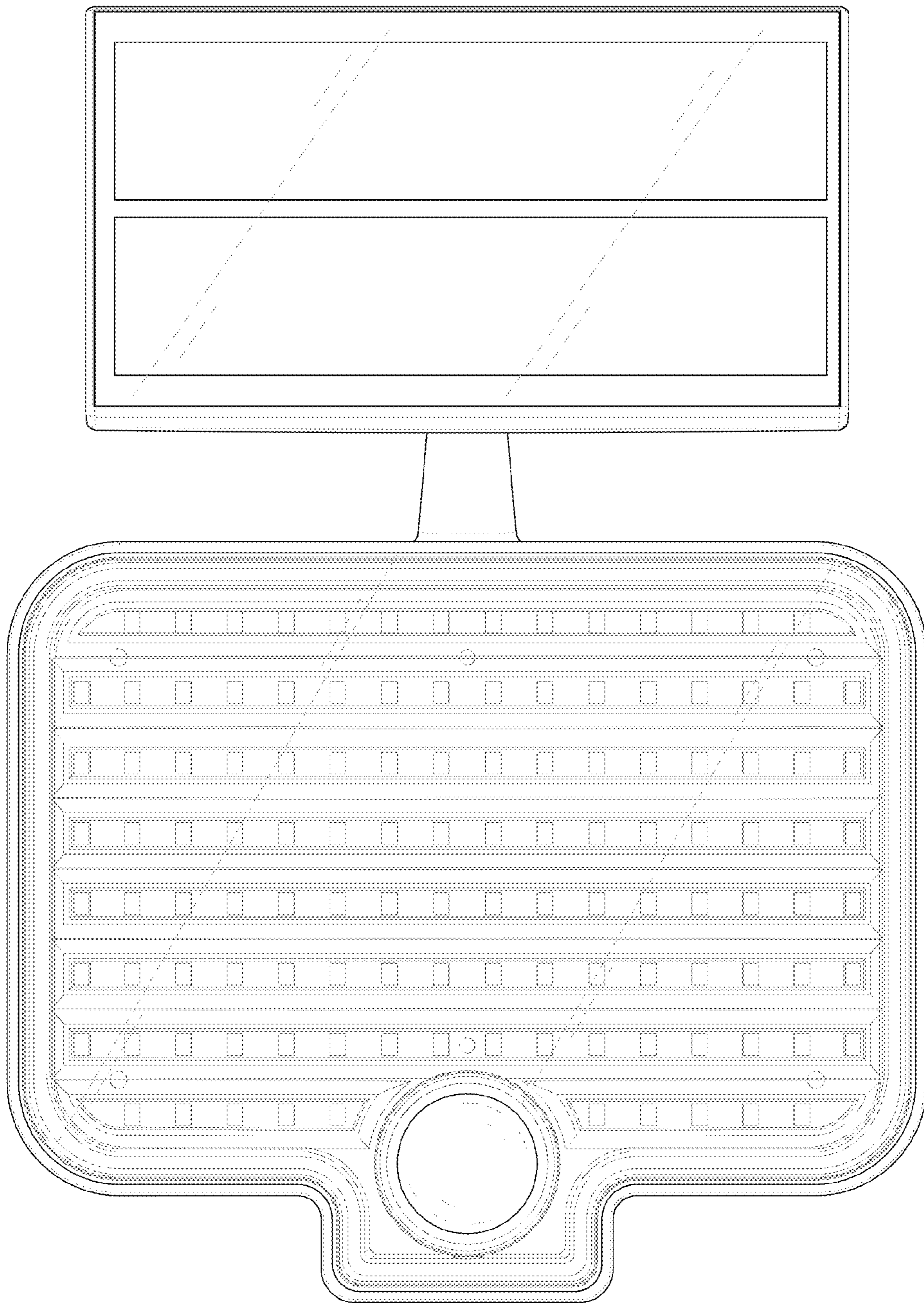


FIG. 3

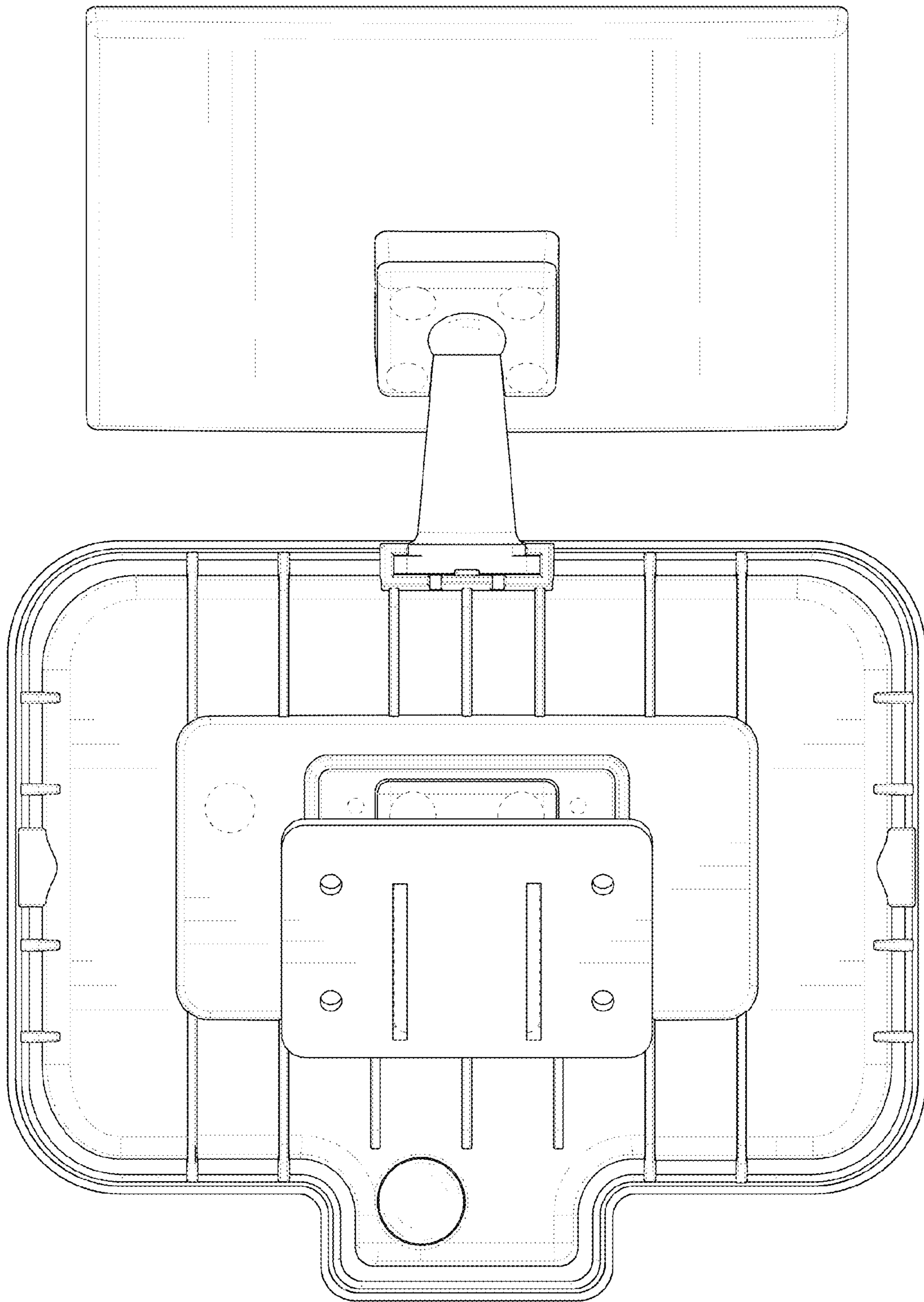


FIG. 4

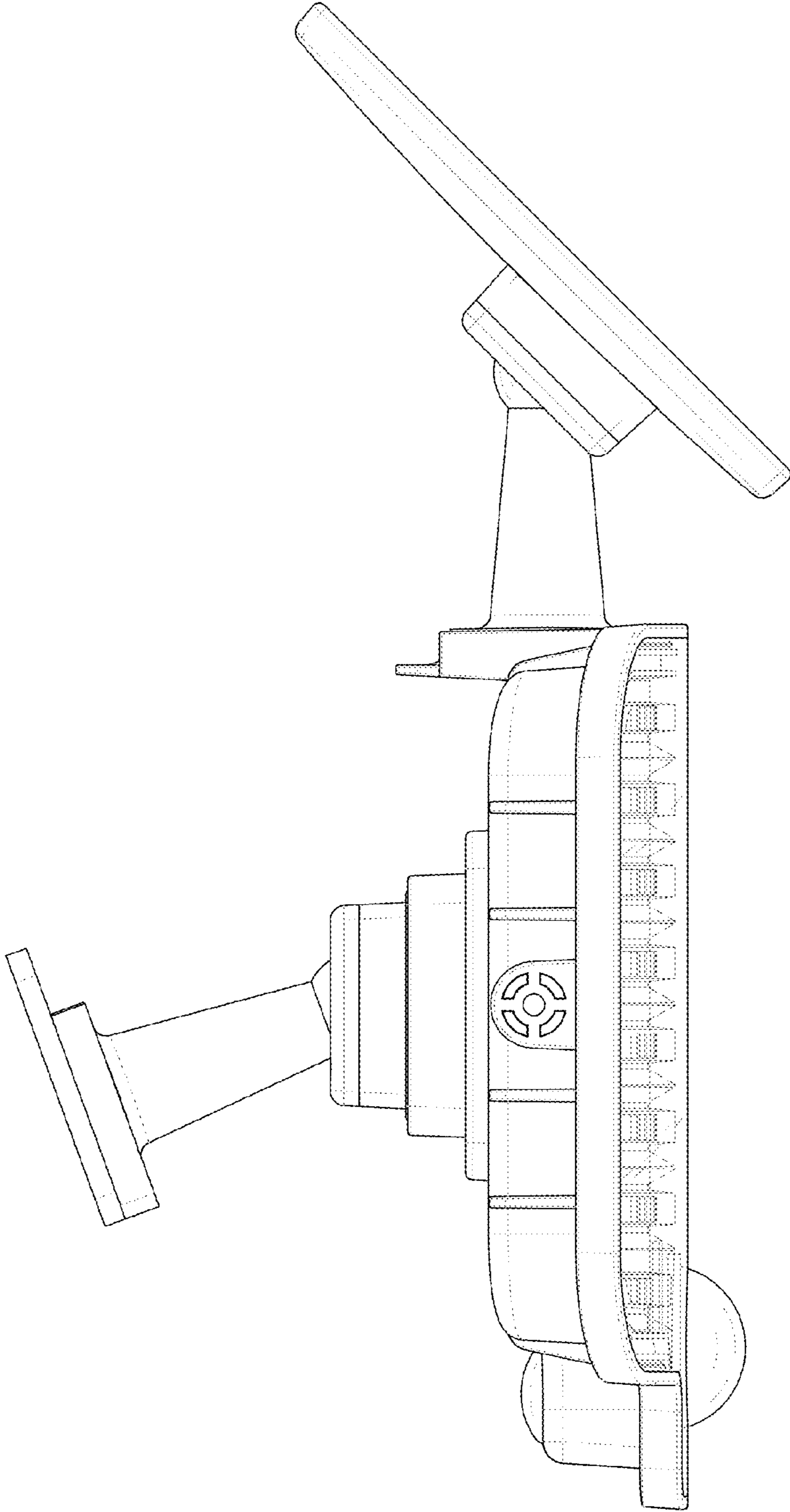


FIG. 5

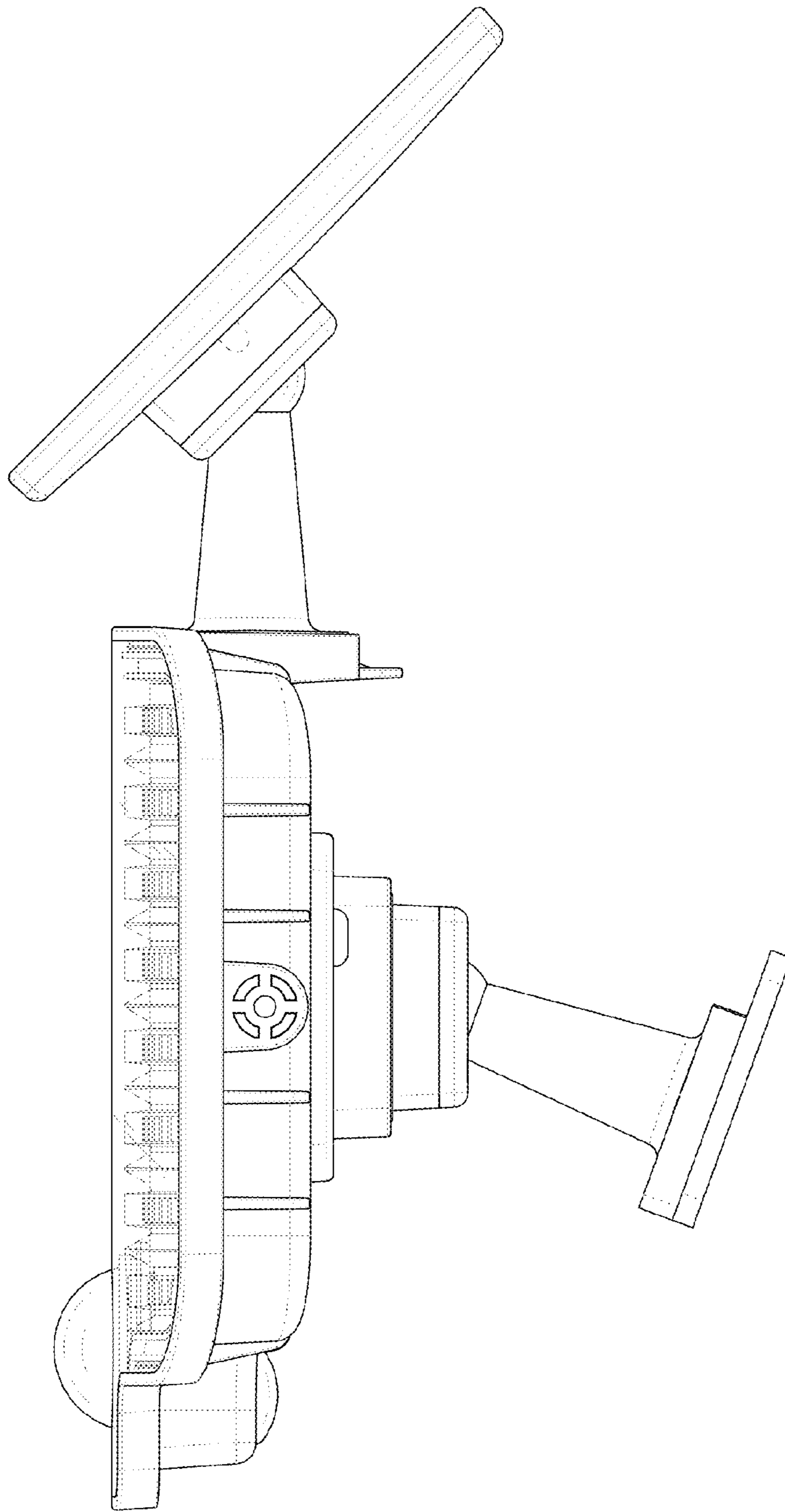


FIG. 6

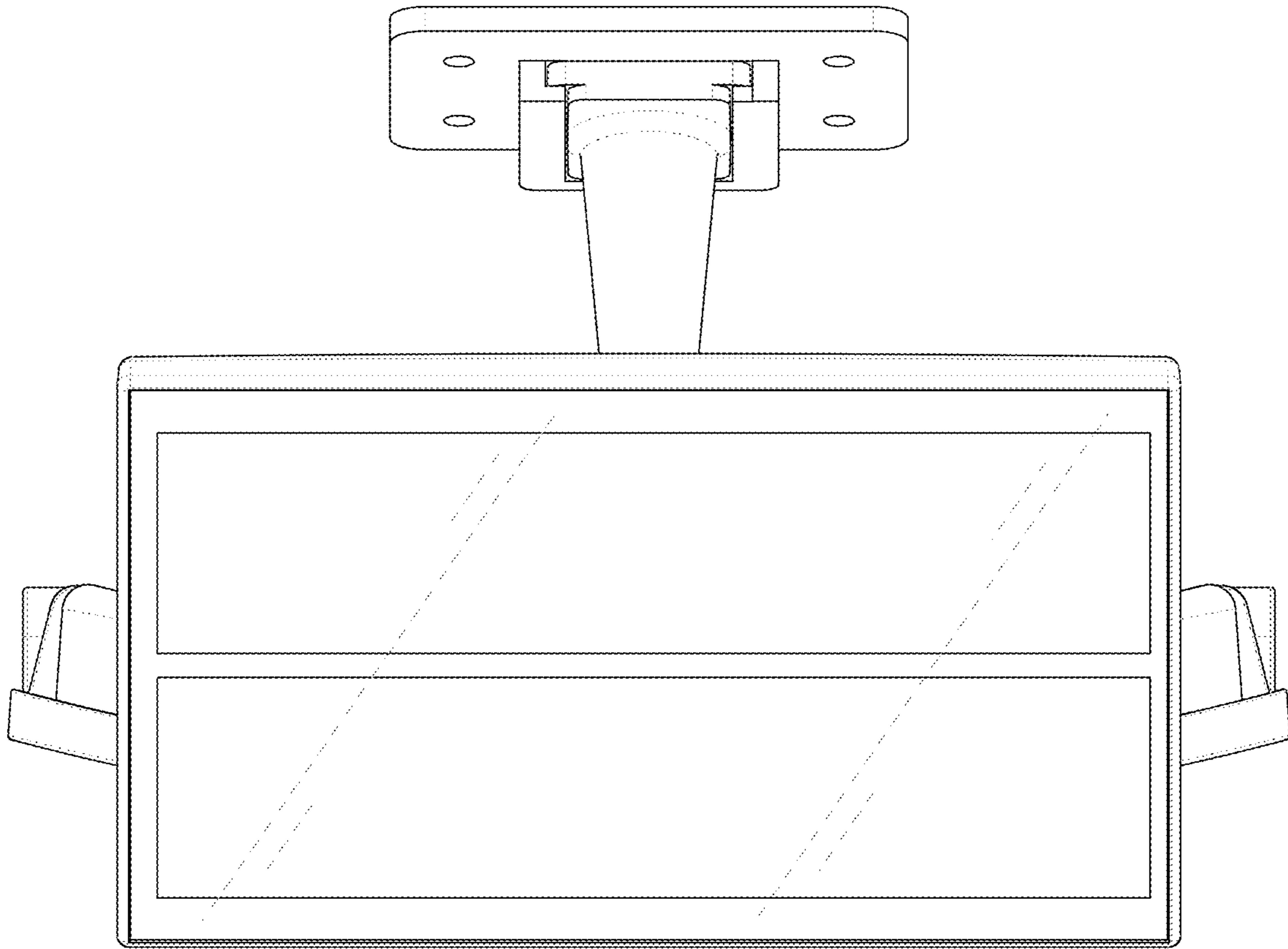


FIG. 7

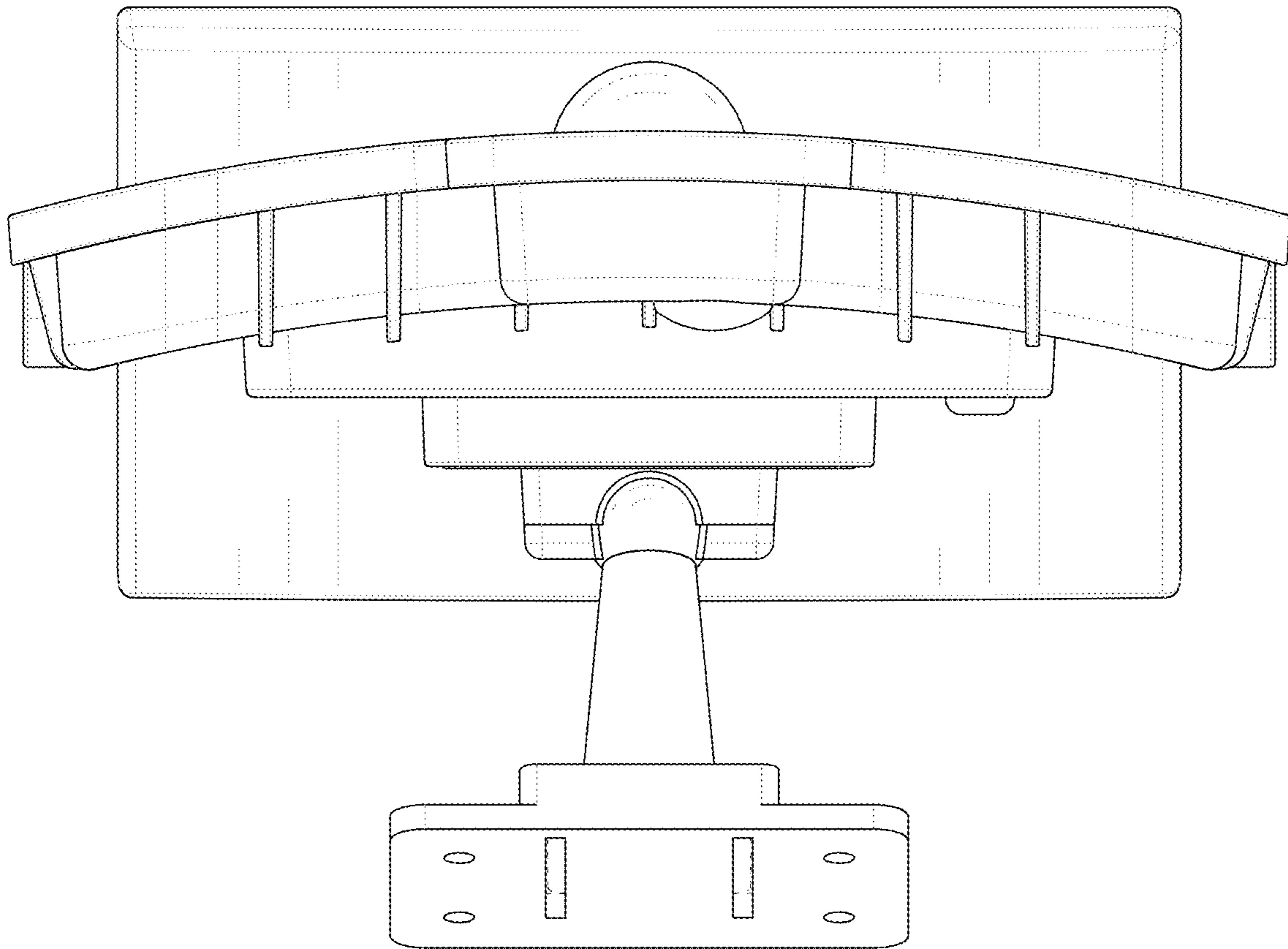


FIG. 8

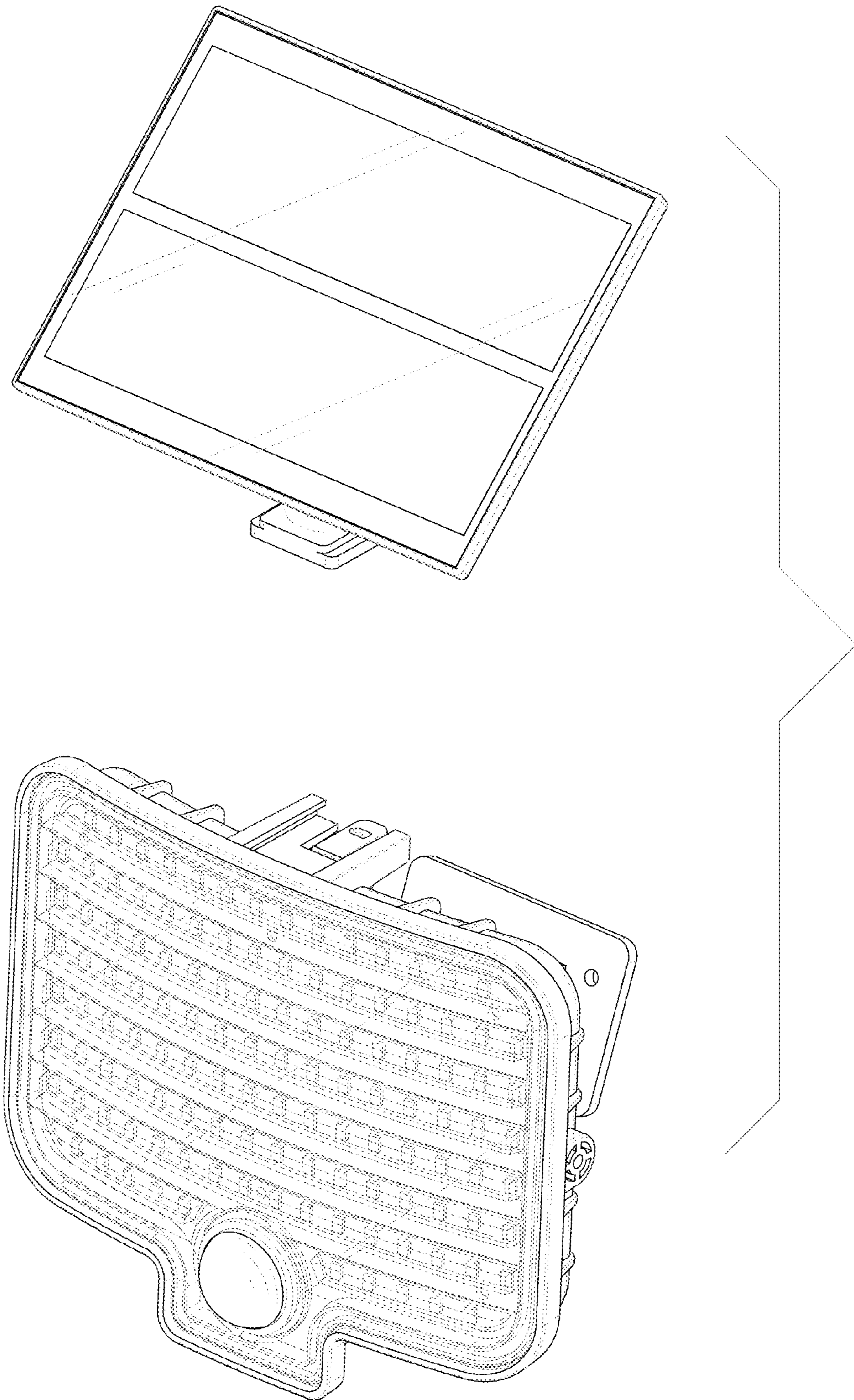


FIG. 9

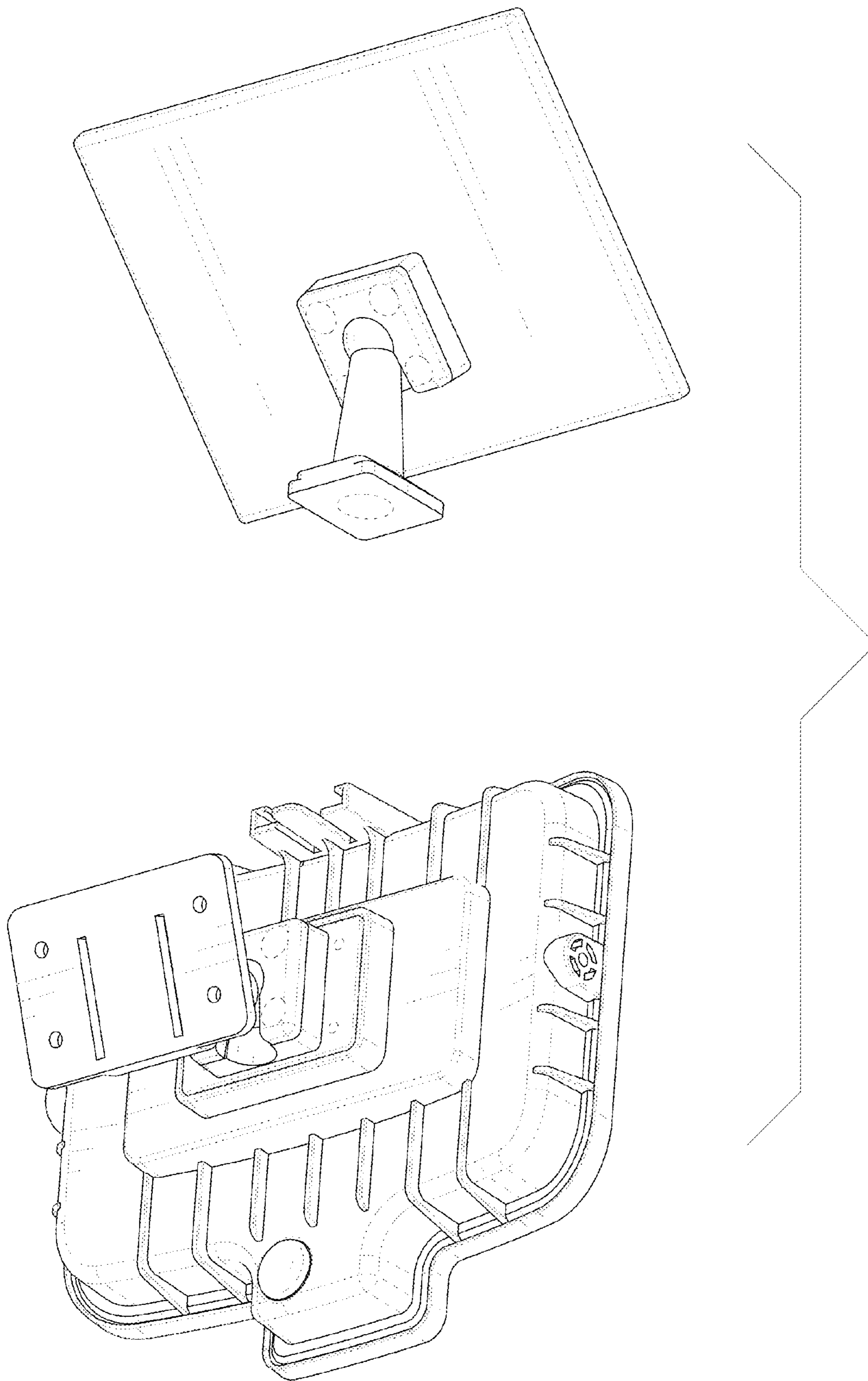


FIG. 10