



US00D984010S

(12) **United States Design Patent**
Zhang

(10) **Patent No.:** **US D984,010 S**
(45) **Date of Patent:** **** Apr. 18, 2023**

(54) **SOLAR LIGHT**

(71) Applicant: **Shenzhen YuYiYuan Technology Co., Ltd.**, Shenzhen (CN)

(72) Inventor: **Donglin Zhang**, Jinniu Town (CN)

(73) Assignee: **Shenzhen YuYiYuan Technology Co., Ltd.**, Shenzhen (CN)

(**) Term: **15 Years**

(21) Appl. No.: **29/804,305**

(22) Filed: **Aug. 19, 2021**

(51) **LOC (14) Cl.** **26-05**

(52) **U.S. Cl.**
USPC **D26/63**

(58) **Field of Classification Search**
USPC D26/1, 2, 3, 24, 51, 61, 63, 65, 66, 69, D26/72, 81, 83, 92, 93, 102, 67, 71, 70, D26/74, 80, 95; D23/370, 375, 377, 379, D23/413; D13/102
CPC F21S 6/004; F21S 8/00; F21S 8/003; F21S 8/04; F21S 8/026; F21S 8/036; F21S 8/037; F21S 8/038; F21S 8/043; F21S 8/081; F21S 8/083; F21S 8/085; F21S 8/086; F21S 9/03; F21S 9/032; F21S 9/035; F21S 9/037; F21V 14/02; F21V 21/00; F21V 21/02; F21V 21/14; F21V 21/26; F21V 21/30; F21W 2111/02; F21W 2111/023; F21W 2131/10; F21Y 2115/10

See application file for complete search history.

(56) **References Cited**

U.S. PATENT DOCUMENTS

D891,687 S * 7/2020 Chen D26/120
D892,380 S * 8/2020 Yan D26/65
D896,428 S * 9/2020 Pan D26/85

D914,261 S * 3/2021 Ouyang D26/65
D934,479 S * 10/2021 Liu D26/63
11,268,682 B1 * 3/2022 Sun F21V 23/02
D949,450 S * 4/2022 Zhang D26/63
D956,300 S * 6/2022 Yan D26/65
D956,304 S * 6/2022 Liu D26/65
D968,002 S * 10/2022 Liu D26/63
D970,769 S * 11/2022 Wu D26/63
D974,623 S * 1/2023 Paredes D26/63
D975,898 S * 1/2023 Wang D26/65

OTHER PUBLICATIONS

Solar Motion Sensor Light, first available Jun. 4, 2021, amazon.com, [online], [site visited Jan. 30, 2023], Available from internet URL: https://www.amazon.com/Lights-Motion-Outdoor-Security-Lighting/dp/B096LCMVJ9/ref=asc_df_B096LCMVJ9/?tag=hyprod-20&linkCode=df0&hvadid%E2%80%A6 (Year: 2021).*

(Continued)

Primary Examiner — Angela J Lee
Assistant Examiner — Audris Park
(74) *Attorney, Agent, or Firm* — Xuan Zhang

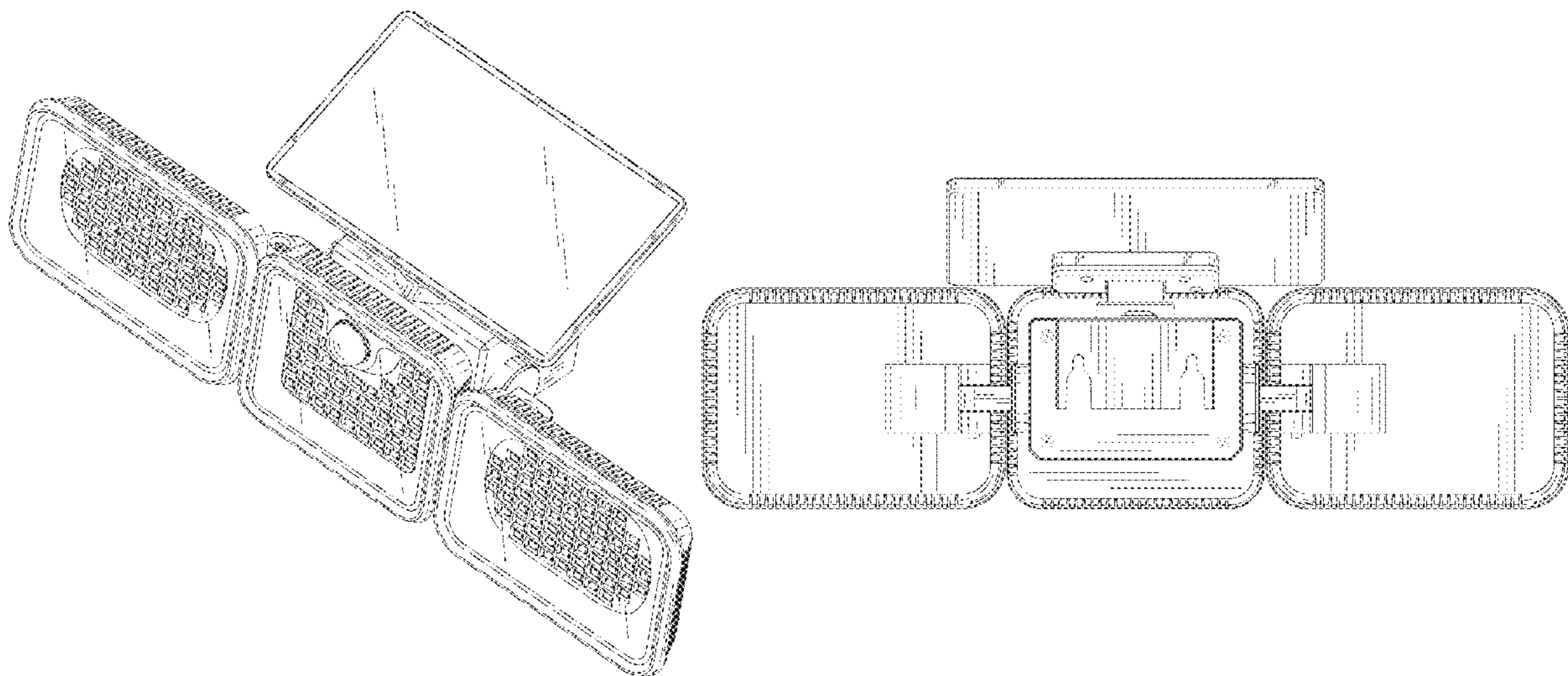
(57) **CLAIM**

The ornamental design for a solar light, as shown and described.

DESCRIPTION

FIG. 1 is a perspective view of a solar light showing my new design;
FIG. 2 is a front view thereof;
FIG. 3 is a rear view thereof;
FIG. 4 is a left view thereof;
FIG. 5 is a right view thereof;
FIG. 6 is a top view thereof; and,
FIG. 7 is a bottom view thereof.
The broken lines in the drawings are included for the purpose of illustrating environmental structure and forms no part of the claimed design.

1 Claim, 7 Drawing Sheets



(56)

References Cited

OTHER PUBLICATIONS

Donline Solar Lights, first available Dec. 10, 2021, amazon.com, [online], [site visited Feb. 8, 2023], Available from internet URL: https://www.amazon.com/Outdoor-DONLINE-Waterproof-Exteriores-Adjustable/dp/B09MK1MPRM?source=ps-sl-shoppingads-lpcontext&ref_=fpifs&smi%E2%80%A6 (Year: 2021).*

Ollivage LED Solar Outdoor Lights, first available May 20, 2022, amazon.com, [online], [site visited Jan. 30, 2023], Available from internet URL: https://www.amazon.com/Outdoor-Ollivage-Security-Powered-Waterproof/dp/B0B1PKZLZ5/ref=sr_1_148_sspa?crid=154WG337QIOLC&keywords=so%E2%80%A6 (Year: 2022).*

* cited by examiner

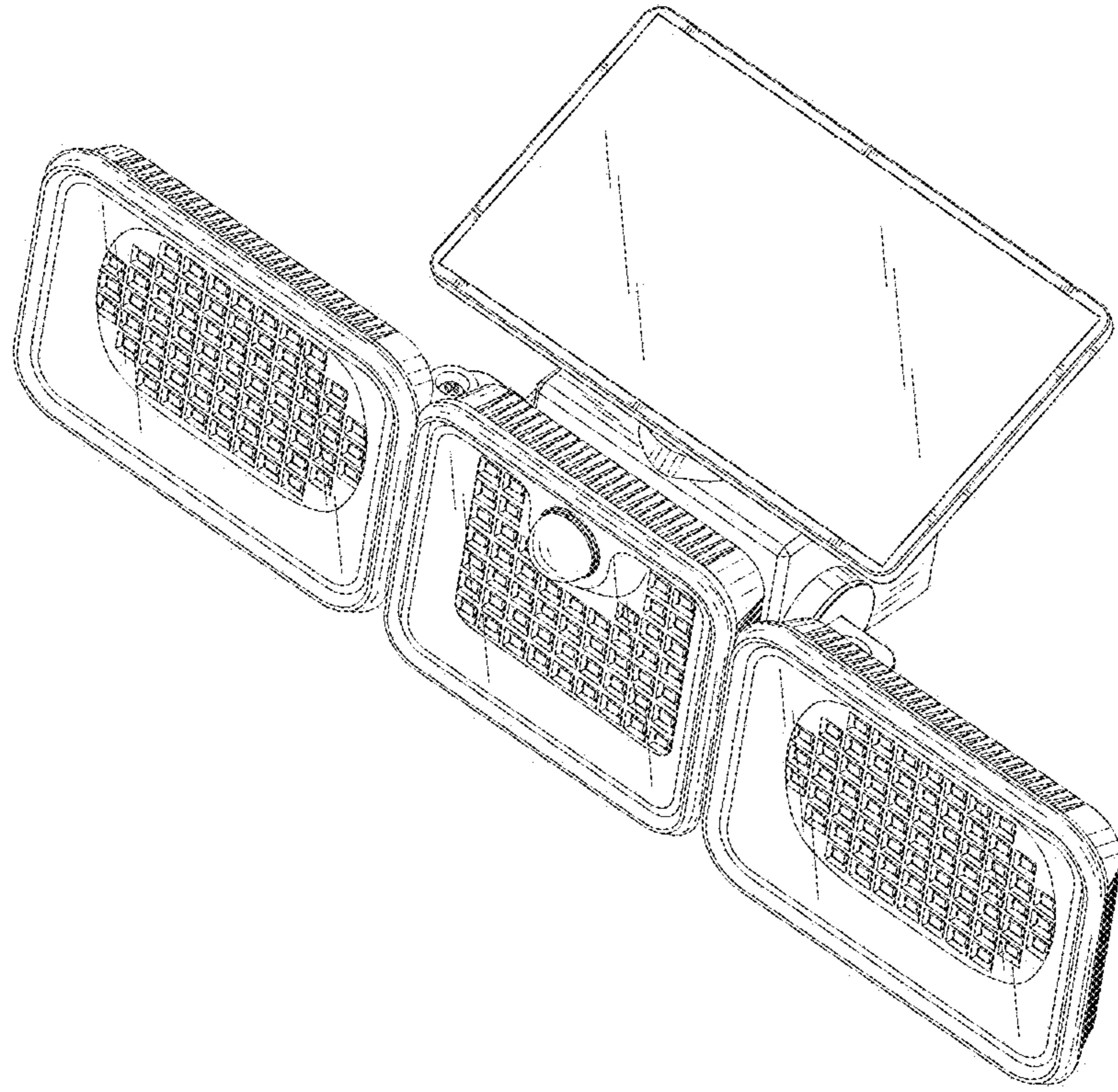


FIG. 1

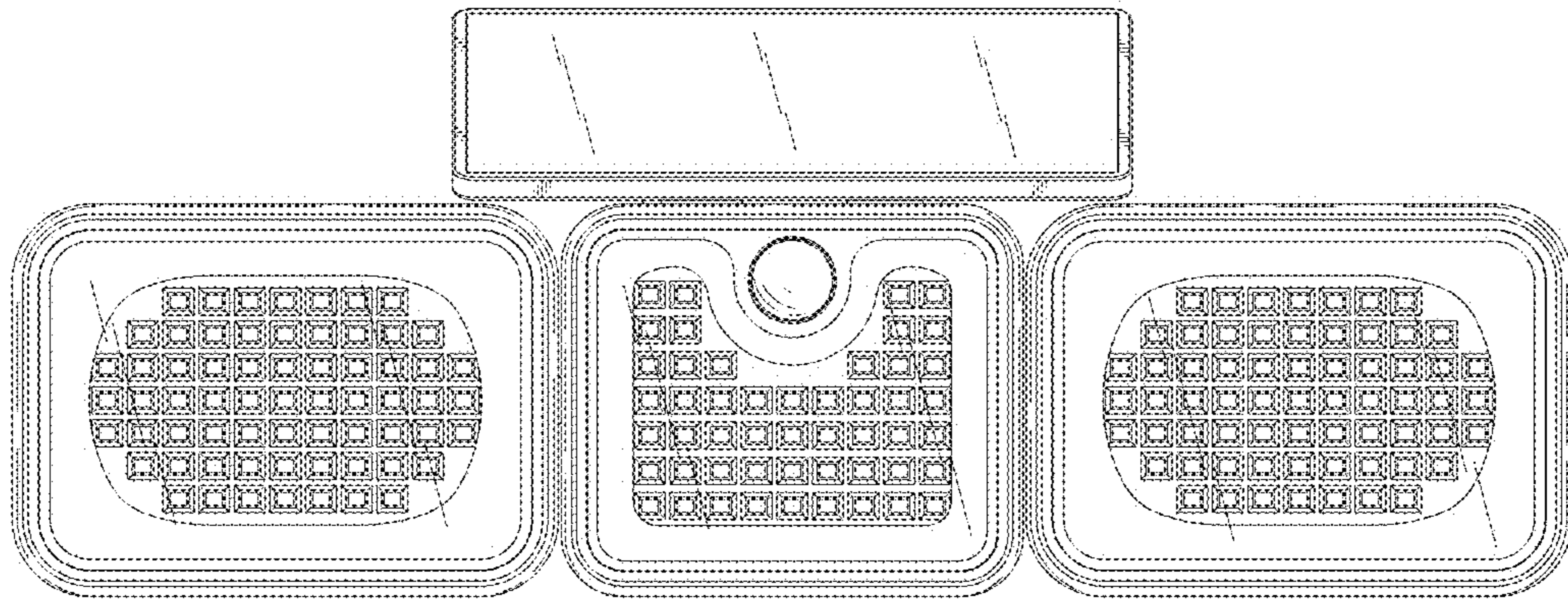


FIG. 2

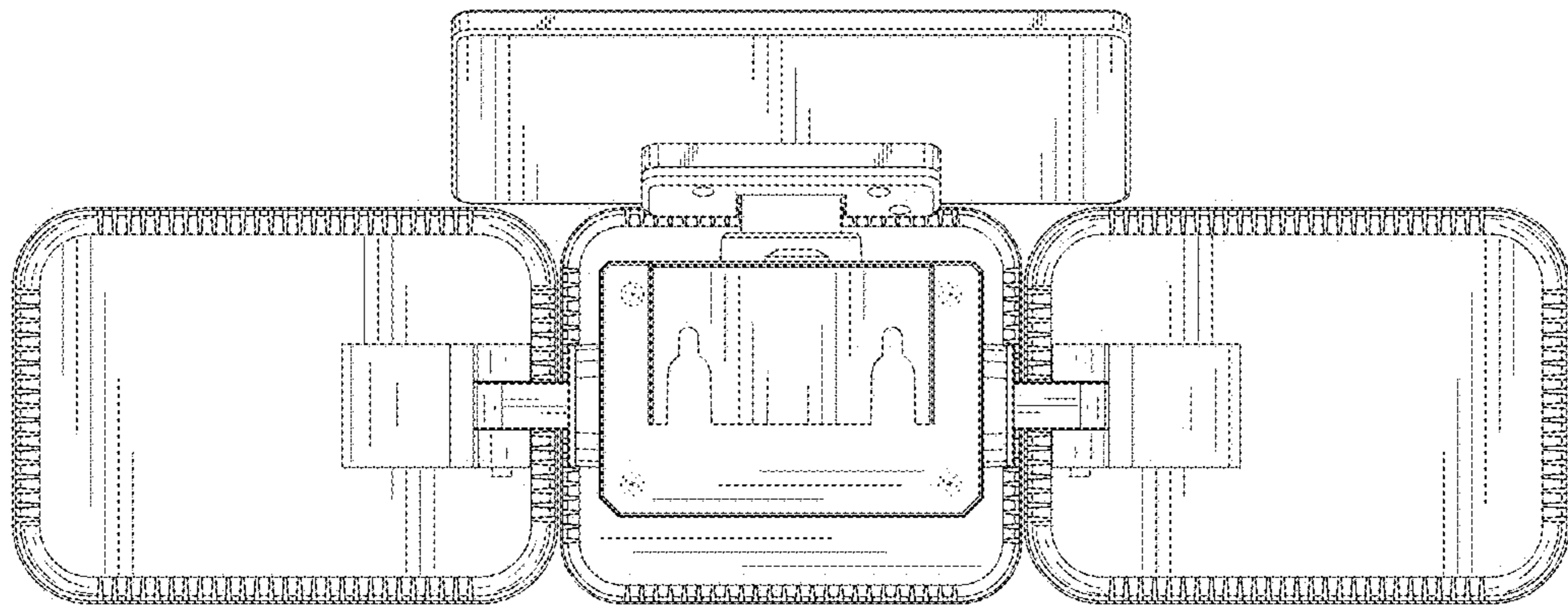


FIG. 3

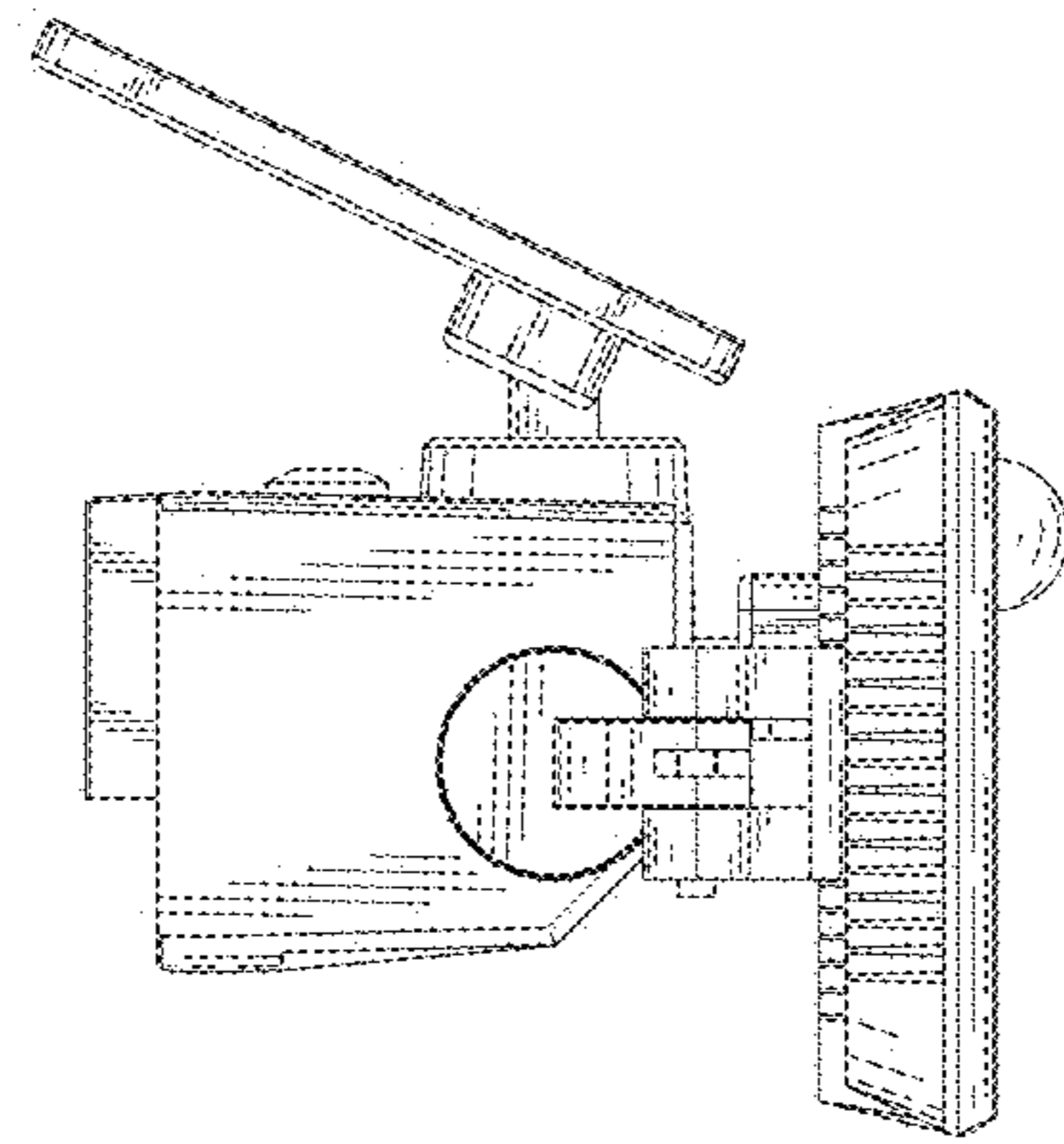


FIG. 4

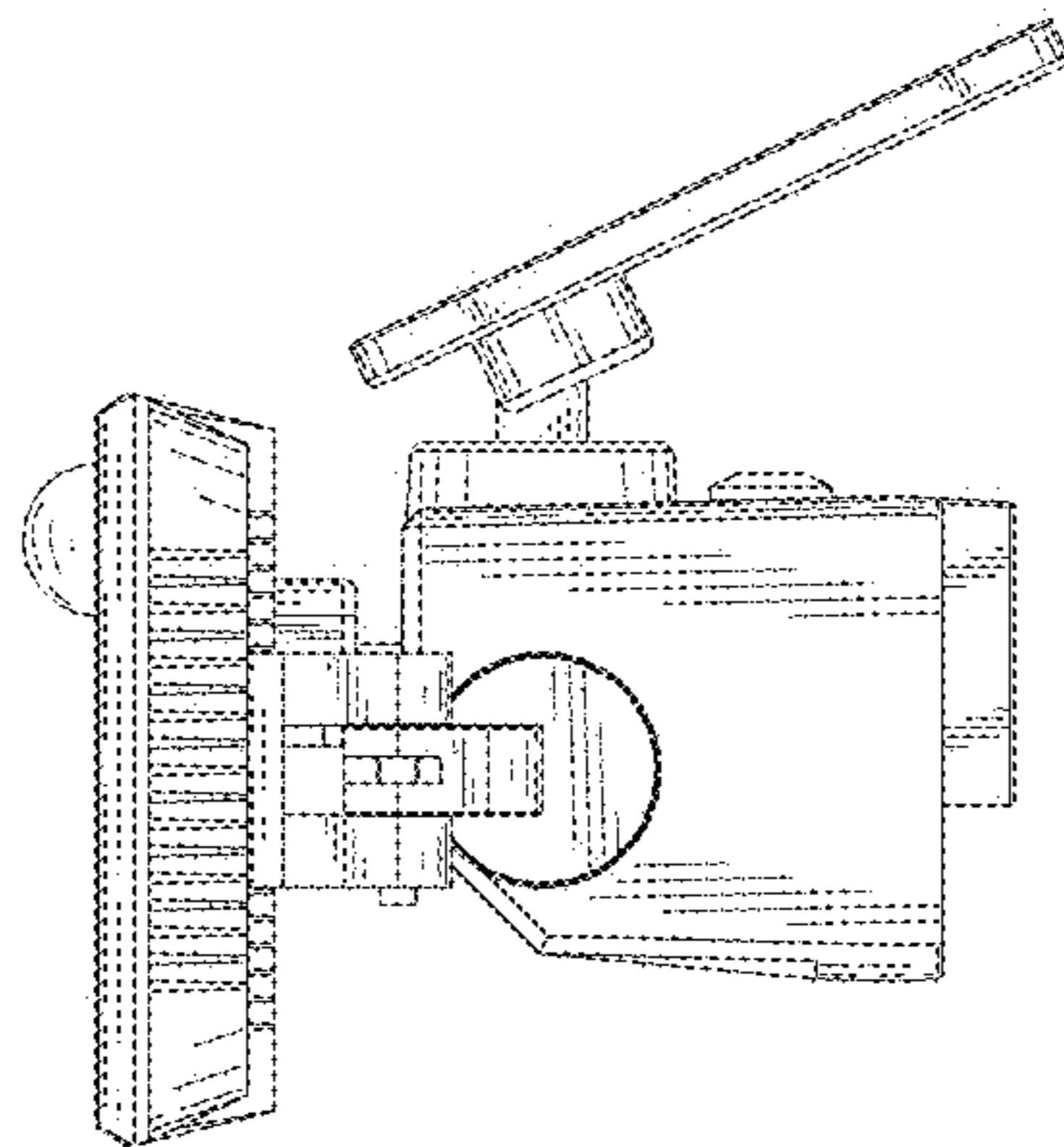


FIG. 5

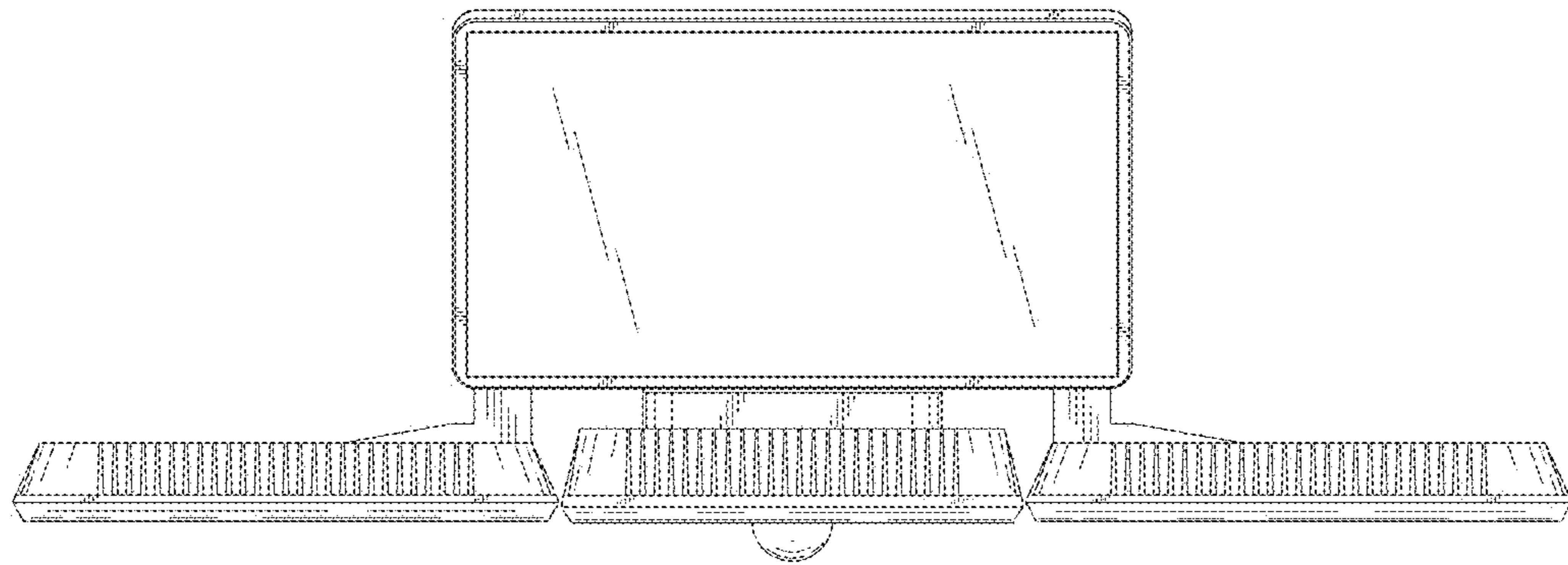


FIG. 6

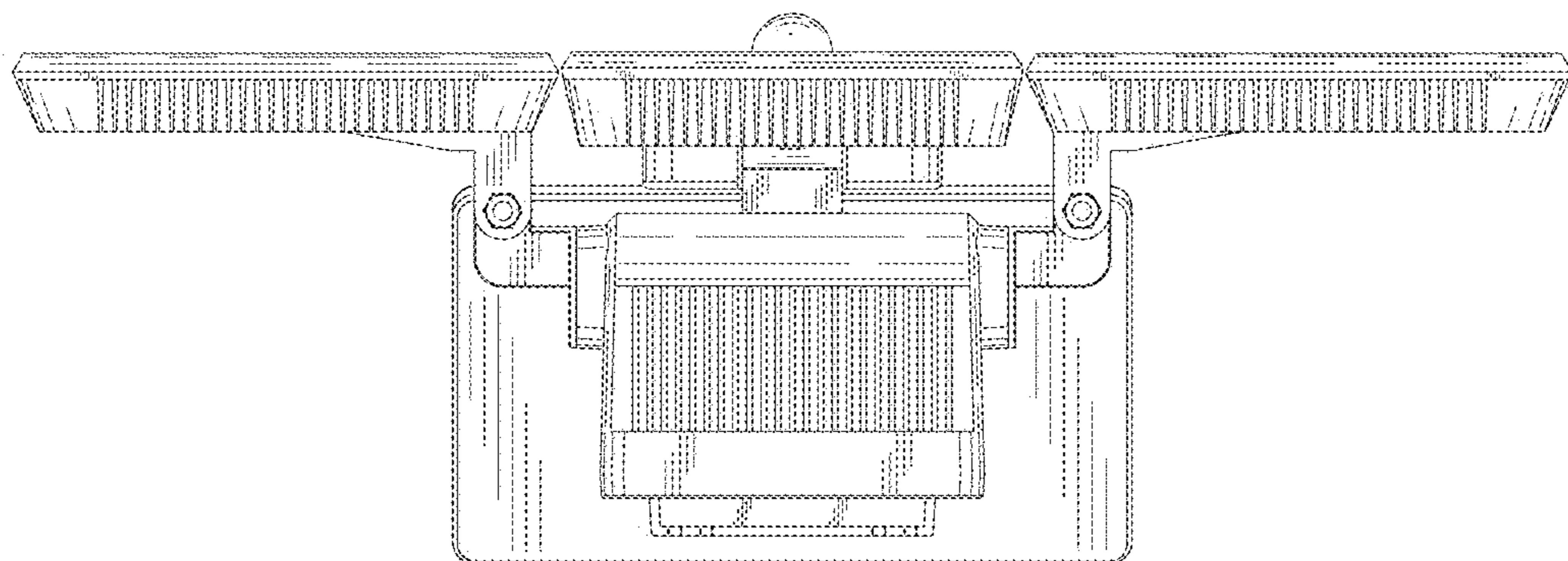


FIG. 7