



US00D984009S

(12) **United States Design Patent**
Zhang

(10) **Patent No.:** **US D984,009 S**

(45) **Date of Patent:** **** Apr. 18, 2023**

(54) **SOLAR LIGHT**

(71) Applicant: **Shenzhen YuYiYuan Technology Co., Ltd.**, Shenzhen (CN)

(72) Inventor: **Donglin Zhang**, Jinniu Town (CN)

(73) Assignee: **Shenzhen YuYiYuan Technology Co., Ltd.**, Shenzhen (CN)

(**) Term: **15 Years**

(21) Appl. No.: **29/804,303**

(22) Filed: **Aug. 19, 2021**

(51) **LOC (14) Cl.** **26-05**

(52) **U.S. Cl.**
USPC **D26/63**

(58) **Field of Classification Search**
USPC D26/1, 2, 3, 24, 51, 61, 63, 65, 66, 69, D26/72, 81, 83, 92, 93, 102, 67, 71, 70, D26/74, 80, 95; D23/370, 375, 377, 379, D23/413; D13/102
CPC F21S 6/004; F21S 8/00; F21S 8/003; F21S 8/04; F21S 8/026; F21S 8/036; F21S 8/037; F21S 8/038; F21S 8/043; F21S 8/081; F21S 8/083; F21S 8/085; F21S 8/086; F21S 9/03; F21S 9/032; F21S 9/035; F21S 9/037; F21V 14/02; F21V 21/00; F21V 21/02; F21V 21/14; F21V 21/26; F21V 21/30; F21W 2111/02; F21W 2111/023; F21W 2131/10; F21Y 2115/10

See application file for complete search history.

(56) **References Cited**

U.S. PATENT DOCUMENTS

D866,849 S * 11/2019 Lafleur D26/120
D879,352 S * 3/2020 Liu D26/85
D914,261 S * 3/2021 Ouyang D26/65

D929,008 S * 8/2021 Singh D26/63
D939,752 S * 12/2021 Luo D26/85
D950,820 S * 5/2022 Zheng D26/63
D956,300 S * 6/2022 Yan D26/65
D956,304 S * 6/2022 Liu D26/65
D968,002 S * 10/2022 Liu D26/63
D970,769 S * 11/2022 Wu D26/63
D975,327 S * 1/2023 Gowing D26/63
D975,898 S * 1/2023 Wang D26/65
2021/0274619 A1 * 9/2021 Bailey H05B 47/17

OTHER PUBLICATIONS

Solar Outdoor Lights Motion Sensor, first available Apr. 13, 2018, amazon.com, [online], [site visited Jan. 30, 2023], Available from internet URL: https://www.amazon.com/Motion-Sensor-Outdoor-Upgrade-Waterproof/dp/B07QNNQ5TXZ/ref=sr_1_4_sspa?crd=1KAGCS1BZ1D79&keywords=solar%E2%80%A6 (Year: 2018).*

(Continued)

Primary Examiner — Angela J Lee

Assistant Examiner — Audris Park

(74) *Attorney, Agent, or Firm* — Xuan Zhang

(57) **CLAIM**

The ornamental design for a solar light, as shown and described.

DESCRIPTION

FIG. 1 is a perspective view of a solar light showing my new design;

FIG. 2 is a front view thereof;

FIG. 3 is a rear view thereof;

FIG. 4 is a left view thereof;

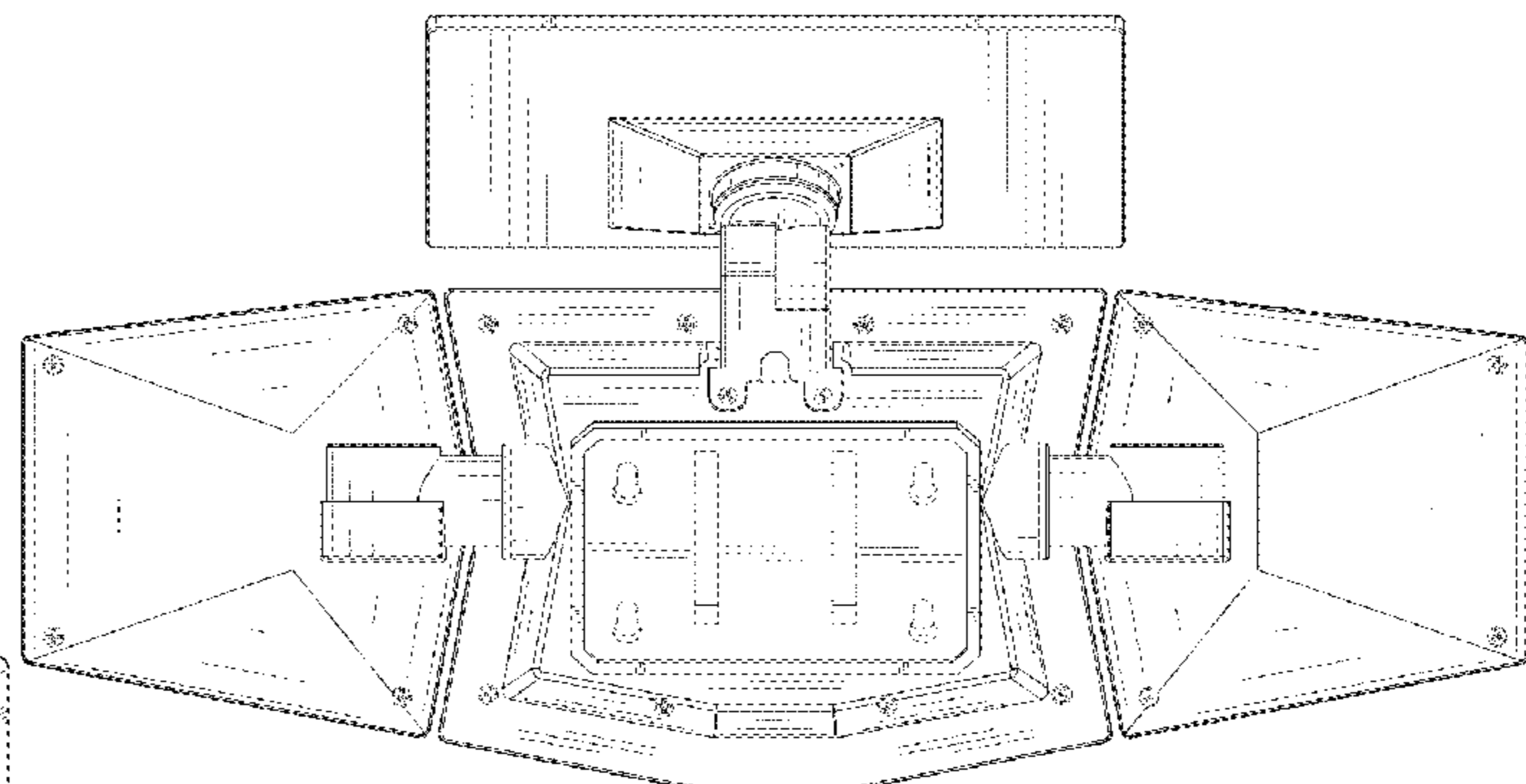
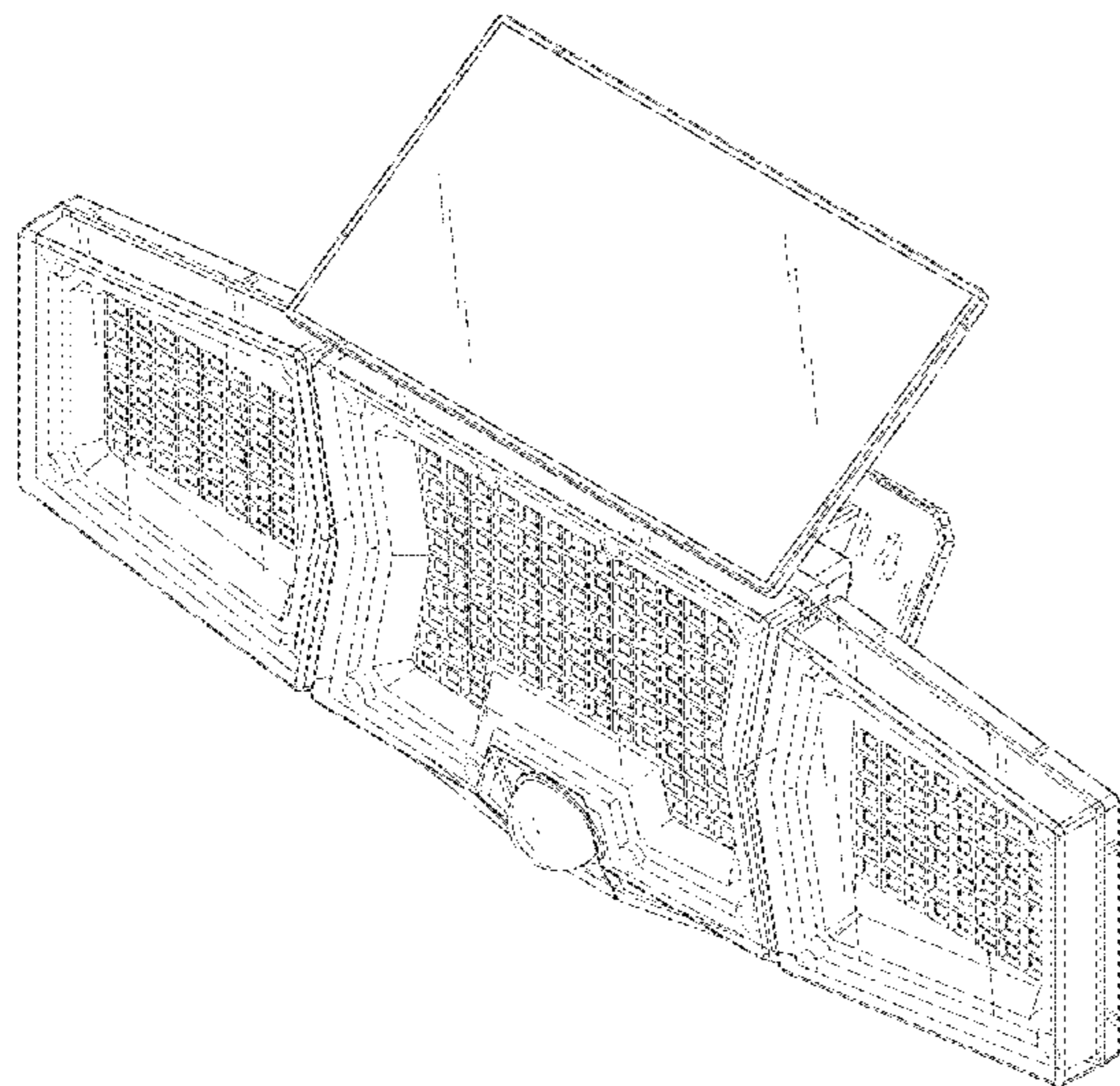
FIG. 5 is a right view thereof;

FIG. 6 is a top view thereof; and,

FIG. 7 is a bottom view thereof.

The broken lines in the drawings are included for the purpose of illustrating environmental structure and forms no part of the claimed design.

1 Claim, 7 Drawing Sheets



(56)

References Cited

OTHER PUBLICATIONS

WWimy Motion Sensor Lights, first available Jan. 18, 2021, amazon.com, [online], [site visited Jan. 21, 2023], Available from internet URL: https://www.amazon.com/Outdoor-ATUPEN-Security-Waterproof-Illumination/dp/B08T9F2MM1/ref=sr_1_7?crid=2BK30ZQ28P7WX&keywords=solar%E2%80%A6 (Year: 2021).*

* cited by examiner

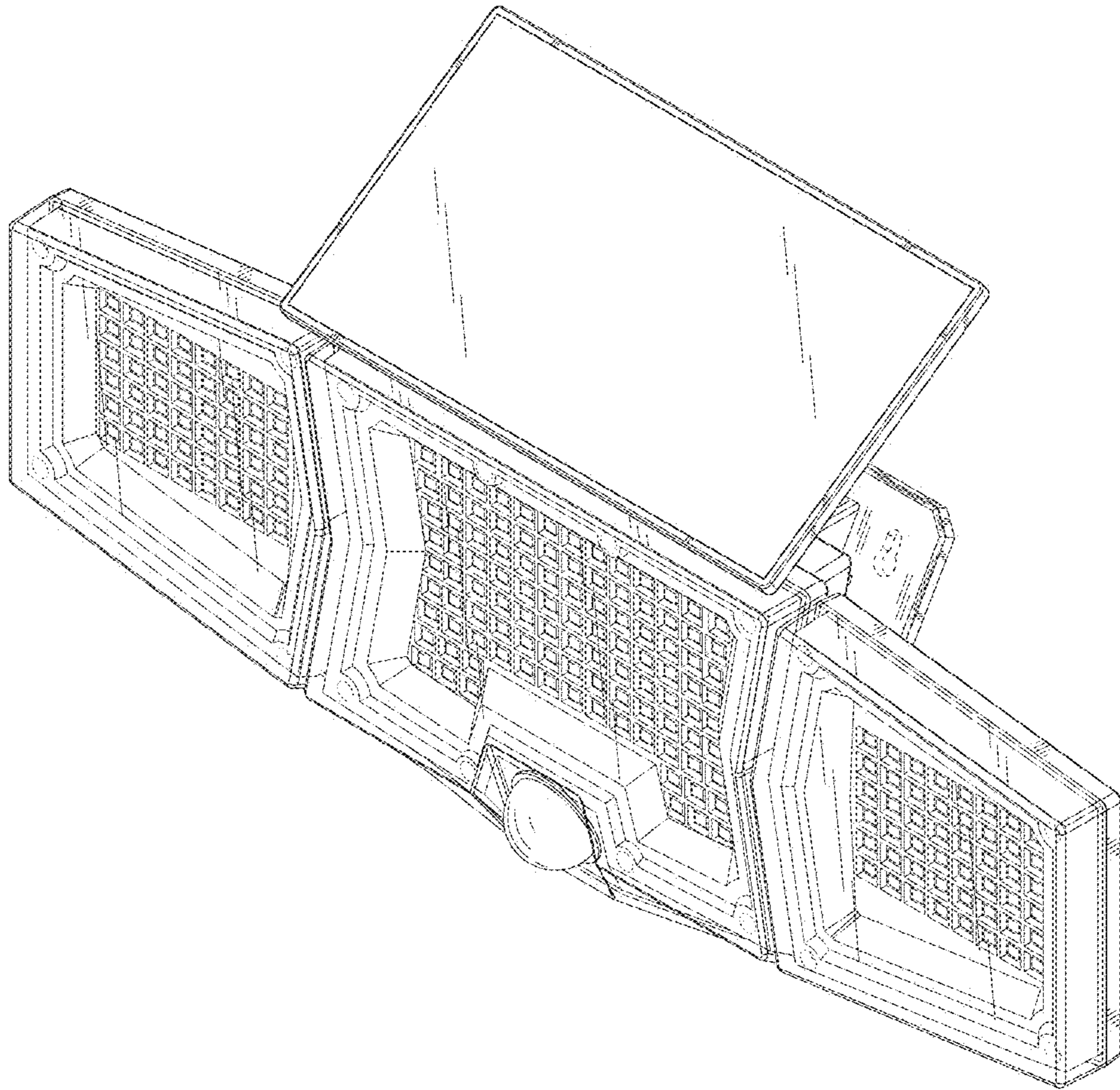


FIG. 1

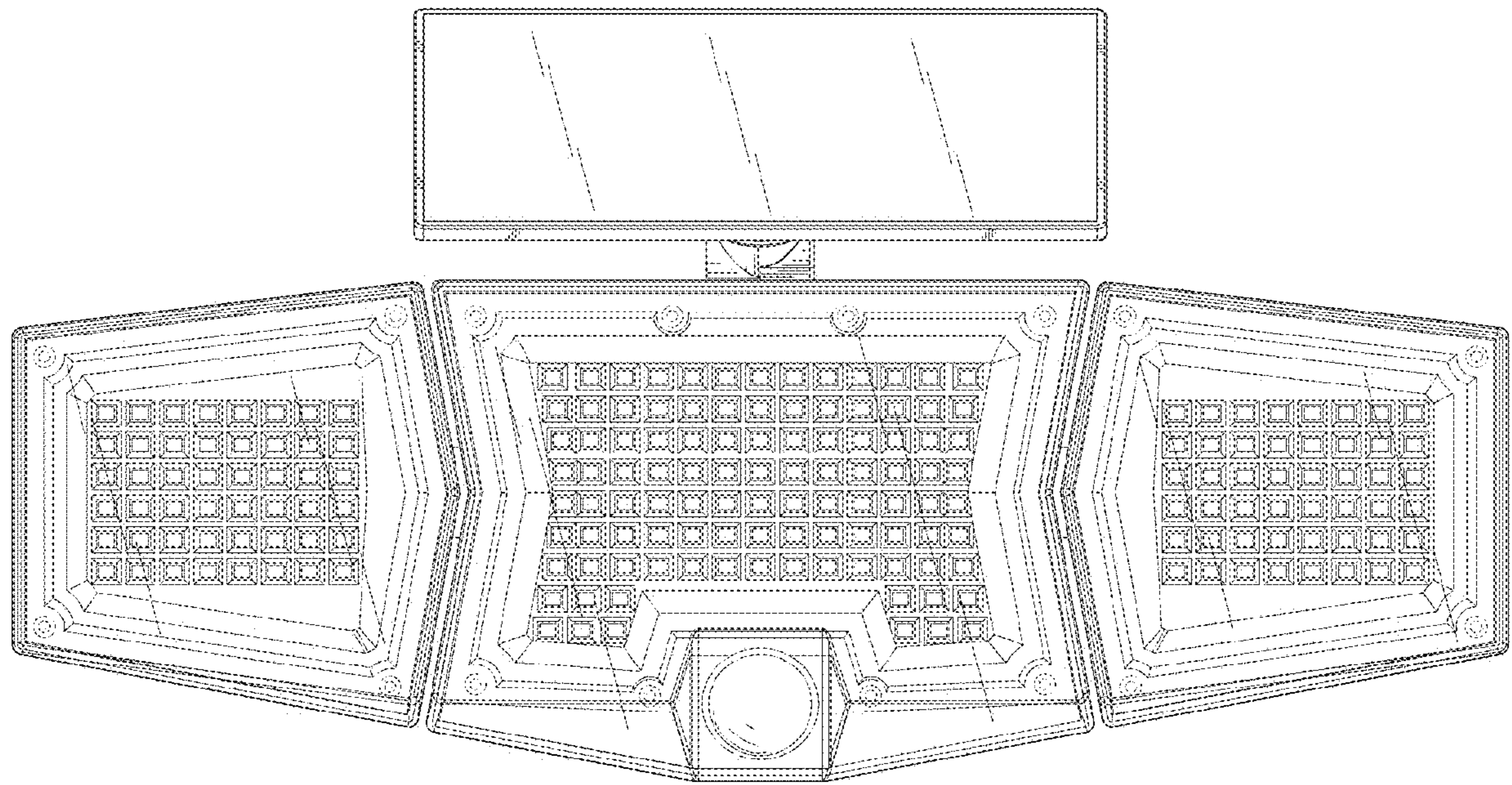


FIG. 2

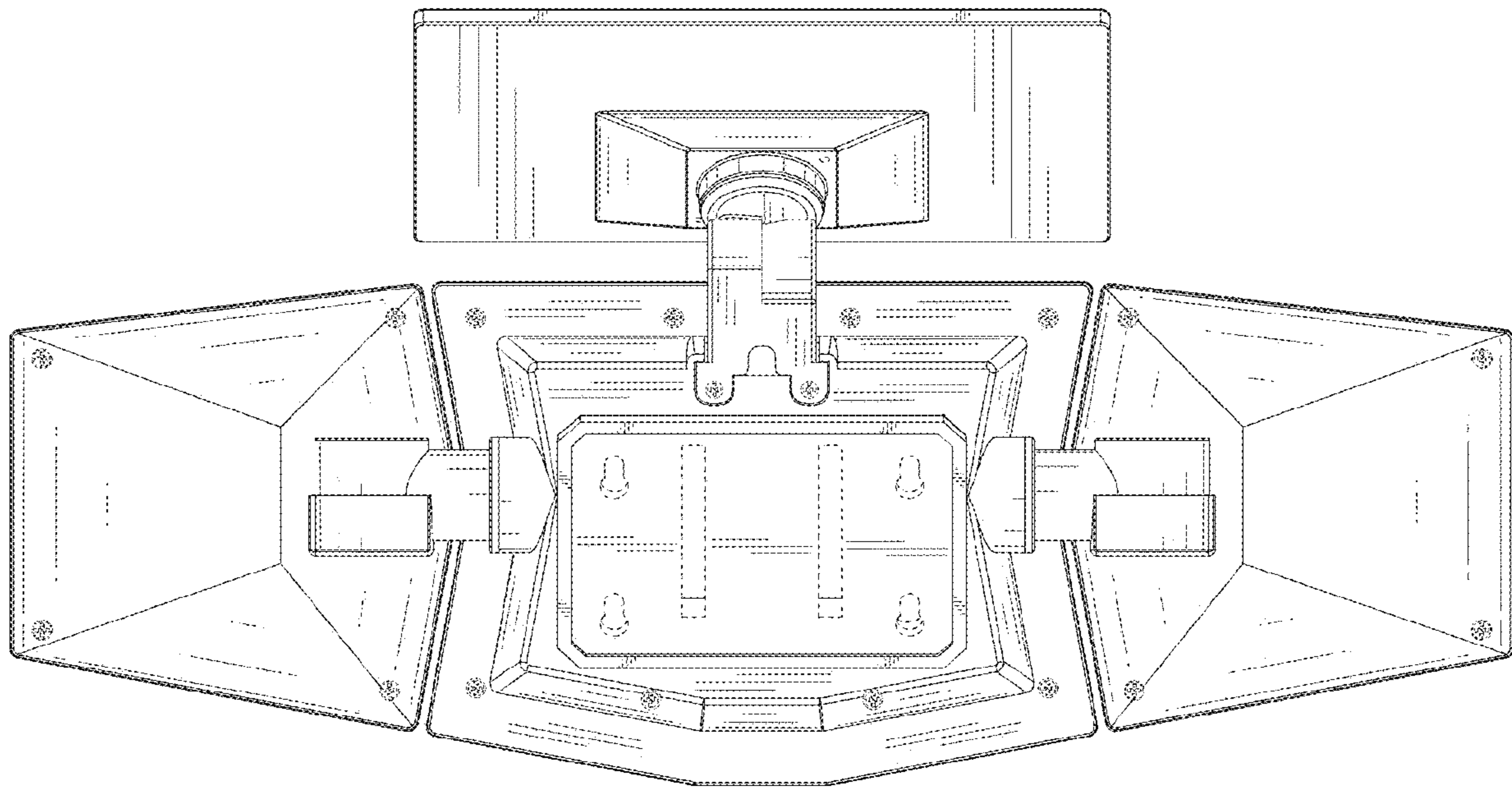


FIG. 3

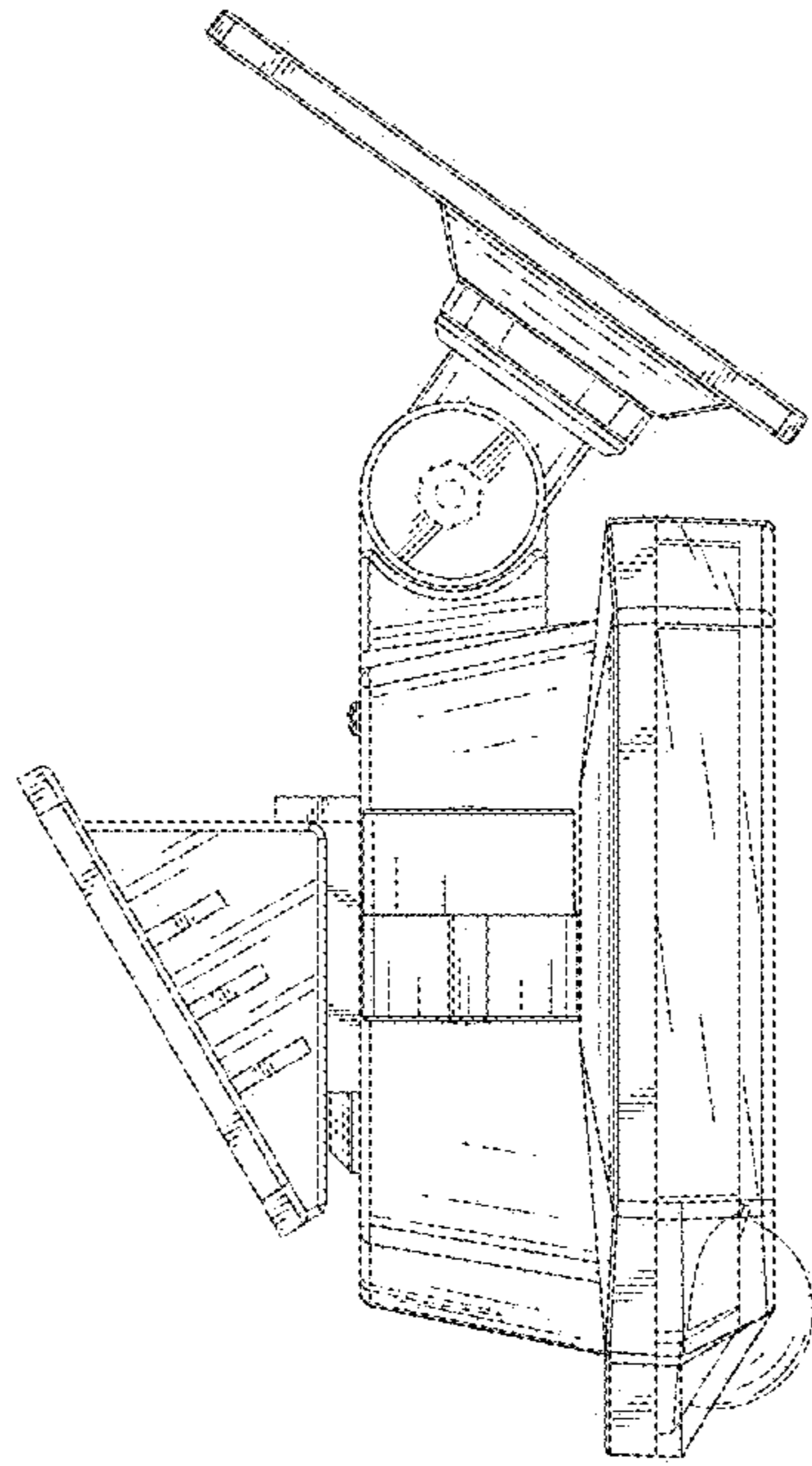


FIG. 4

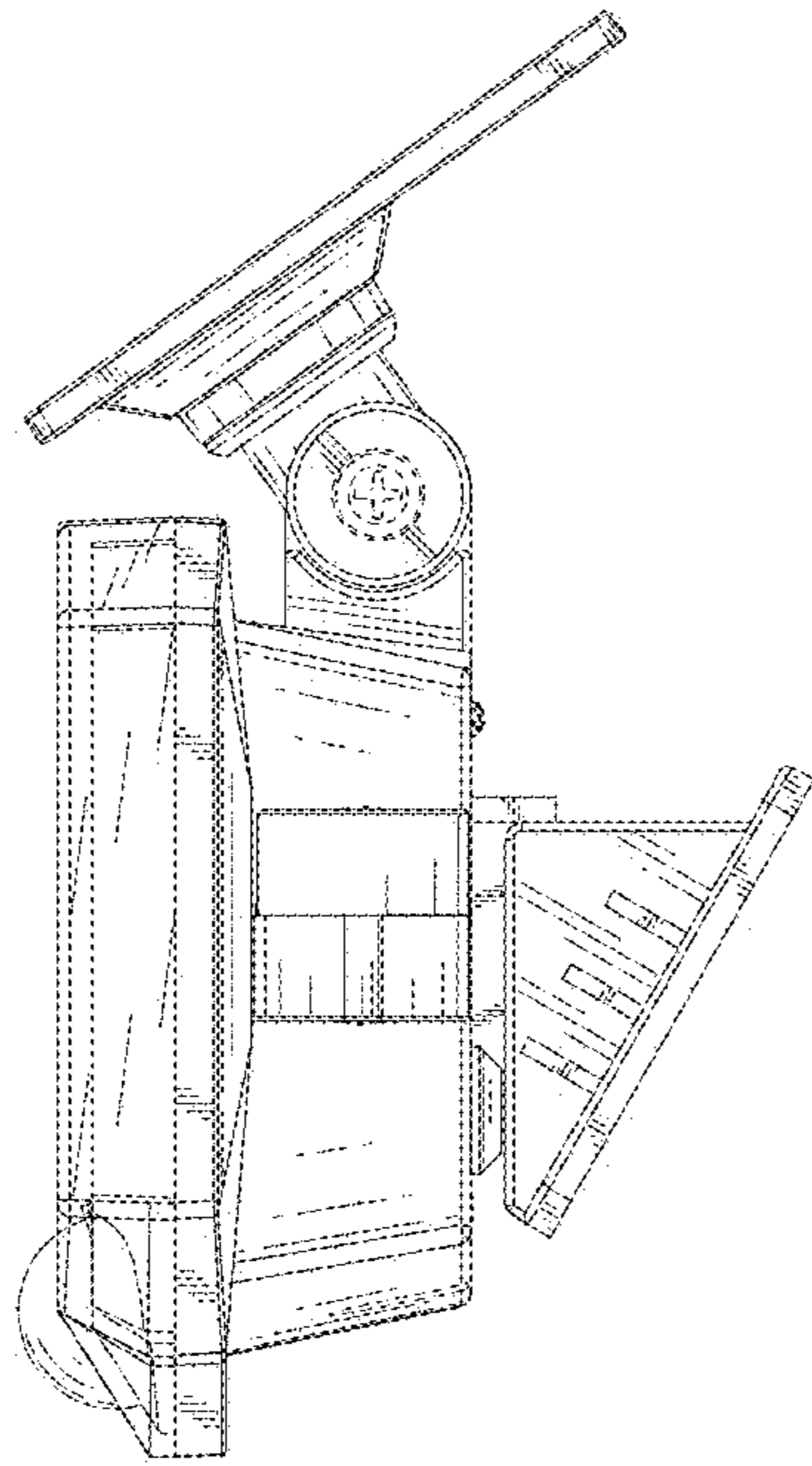


FIG. 5

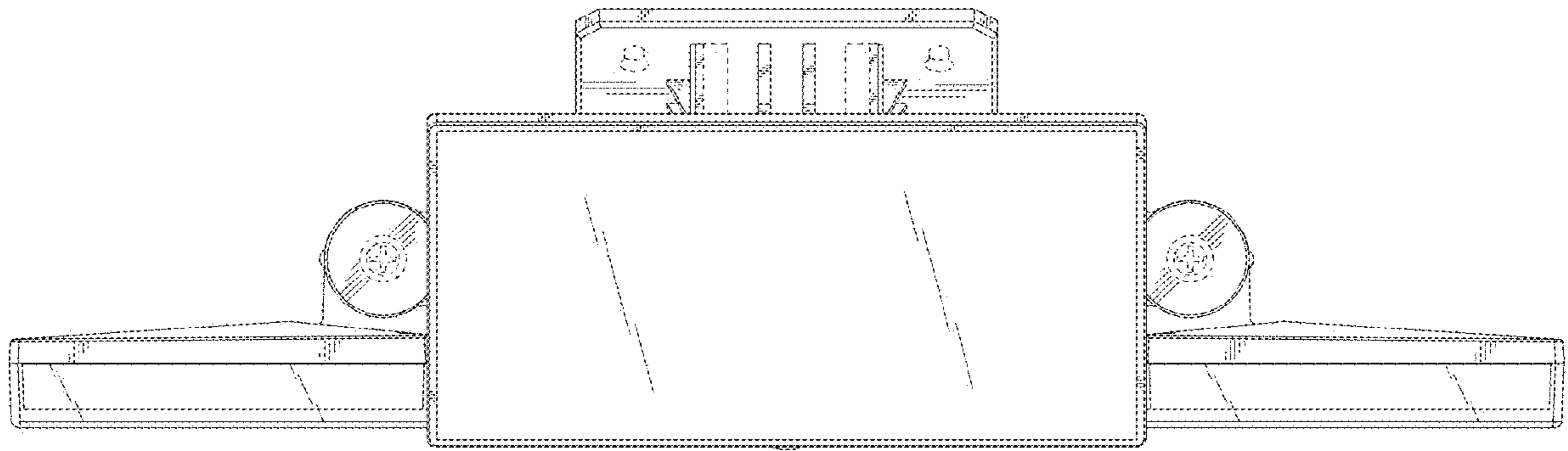


FIG. 6

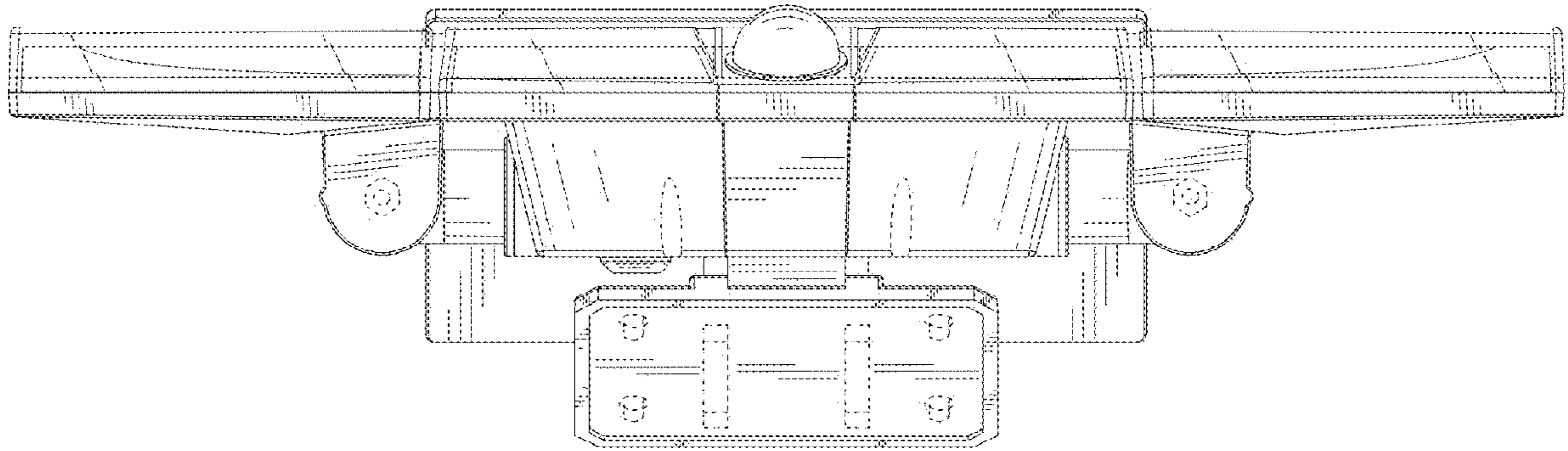


FIG. 7