



US00D984008S

(12) **United States Design Patent**  
**Tang**

(10) **Patent No.:** **US D984,008 S**  
(45) **Date of Patent:** **\*\* Apr. 18, 2023**

(54) **SOLAR LAMP**

(71) Applicant: **Shenzhen JinDian Electronic Technology Co., Ltd., Shenzhen (CN)**

(72) Inventor: **Shifu Tang, Shenzhen (CN)**

(73) Assignee: **SHENZHEN JINDIAN ELECTRONIC TECHNOLOGY CO., LTD., Shenzhen (CN)**

(\*\*) Term: **15 Years**

(21) Appl. No.: **29/801,473**

(22) Filed: **Jul. 29, 2021**

(30) **Foreign Application Priority Data**

Jul. 17, 2021 (CN) ..... 202130455034.0

(51) **LOC (14) Cl.** ..... **26-05**

(52) **U.S. Cl.**  
USPC ..... **D26/63**

(58) **Field of Classification Search**

USPC ..... D26/1, 2, 3, 24, 51, 61, 63, 65, 66, 69, D26/72, 81, 83, 92, 93, 102, 67, 71, 70, D26/74, 80, 95; D23/370, 375, 377, 379, D23/413; D13/102

CPC .... F21S 6/004; F21S 8/00; F21S 8/003; F21S 8/04; F21S 8/026; F21S 8/036; F21S 8/037; F21S 8/038; F21S 8/043; F21S 8/081; F21S 8/083; F21S 8/085; F21S 8/086; F21S 9/03; F21S 9/032; F21S 9/035; F21S 9/037; F21V 14/02; F21V 21/00; F21V 21/02; F21V 21/14; F21V 21/26; F21V 21/30; F21W 2111/02; F21W 2111/023; F21W 2131/10; F21Y 2115/10

See application file for complete search history.

(56) **References Cited**

**U.S. PATENT DOCUMENTS**

D835,335 S \* 12/2018 Paredes ..... F21V 21/29  
D26/120  
D891,687 S \* 7/2020 Chen ..... D26/120

D896,428 S \* 9/2020 Pan ..... D26/85  
D908,262 S \* 1/2021 Dai ..... D26/63  
D914,261 S \* 3/2021 Ouyang ..... D26/65  
D934,479 S \* 10/2021 Liu ..... D26/63  
D939,752 S \* 12/2021 Luo ..... D26/85  
D956,304 S \* 6/2022 Liu ..... D26/65  
D975,327 S \* 1/2023 Gowing ..... D26/63

(Continued)

**OTHER PUBLICATIONS**

4 Adjustable Heads with Two Motion Sensor Outdoor Lights, first available Sep. 19, 2022, amazon.com, [online], [site visited Jan. 30, 2023], Available from internet URL: [https://www.amazon.com/Outdoor-Lights-Adjustable-Security-Waterproof/dp/B0B6H8ZRYG/ref=sr\\_1\\_96?crd=29JD31UCIS583&keywords=so](https://www.amazon.com/Outdoor-Lights-Adjustable-Security-Waterproof/dp/B0B6H8ZRYG/ref=sr_1_96?crd=29JD31UCIS583&keywords=so) (Year: 2022).\*

(Continued)

*Primary Examiner* — Angela J Lee

*Assistant Examiner* — Audris Park

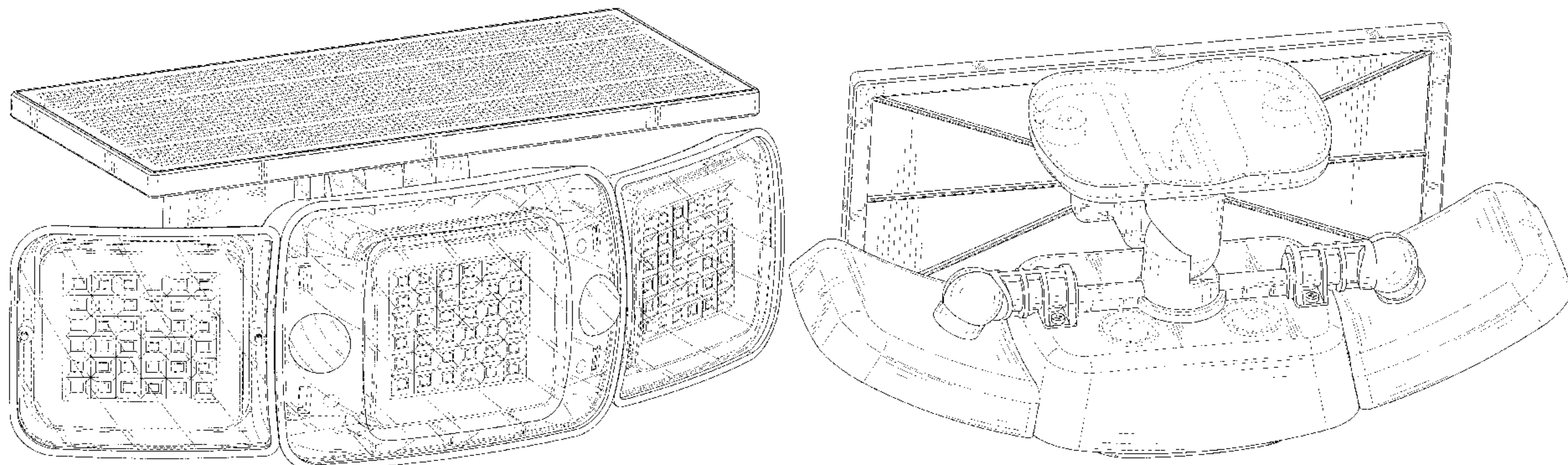
(57) **CLAIM**

The ornamental design for a solar lamp, as shown and described.

**DESCRIPTION**

FIG. 1 is a perspective view of a solar lamp showing my new design;  
FIG. 2 is another perspective view thereof;  
FIG. 3 is a front elevational view thereof;  
FIG. 4 is a rear elevational view thereof;  
FIG. 5 is a top plan view thereof;  
FIG. 6 is a bottom plan view thereof;  
FIG. 7 is a right side elevational view thereof; and,  
FIG. 8 is a left side elevational view thereof.  
The broken lines in the drawings depict portions of the solar lamp that form no part of the claimed design.

**1 Claim, 8 Drawing Sheets**



(56)

**References Cited**

U.S. PATENT DOCUMENTS

D975,898 S \* 1/2023 Wang ..... D26/65  
2018/0195703 A1 \* 7/2018 Bailey ..... F21V 17/02

OTHER PUBLICATIONS

Intelamp Solar Outdoor Lights, first available Feb. 1, 2022, amazon.com, [online], [site visited Jan. 21, 2023], Available from internet URL: [https://www.amazon.com/dp/B09GTYXGB1?pd\\_rd\\_i=B09GTYXGB1&pf\\_rd\\_p=1c6c4cbb-322f-4567-bcfc-bb77ea2429fe&pf\\_rd\\_r=6QWK0C06EGMJ%E2%80%A6](https://www.amazon.com/dp/B09GTYXGB1?pd_rd_i=B09GTYXGB1&pf_rd_p=1c6c4cbb-322f-4567-bcfc-bb77ea2429fe&pf_rd_r=6QWK0C06EGMJ%E2%80%A6) (Year: 2022).\*

SIDSYS Solar Outdoor Lights, first available Jun. 2, 2022, amazon.com, [online], [site visited], Available from internet URL: [https://www.amazon.com/Waterproof-Floodlights-Lighting-Adjustable-Spotlight/dp/B0B31MVTBR/ref=sr\\_1\\_38?crd=240KEXSV1HRAD&keywords=sol%E2%80%A6&th=1](https://www.amazon.com/Waterproof-Floodlights-Lighting-Adjustable-Spotlight/dp/B0B31MVTBR/ref=sr_1_38?crd=240KEXSV1HRAD&keywords=sol%E2%80%A6&th=1) (Year: 2022).\*

\* cited by examiner



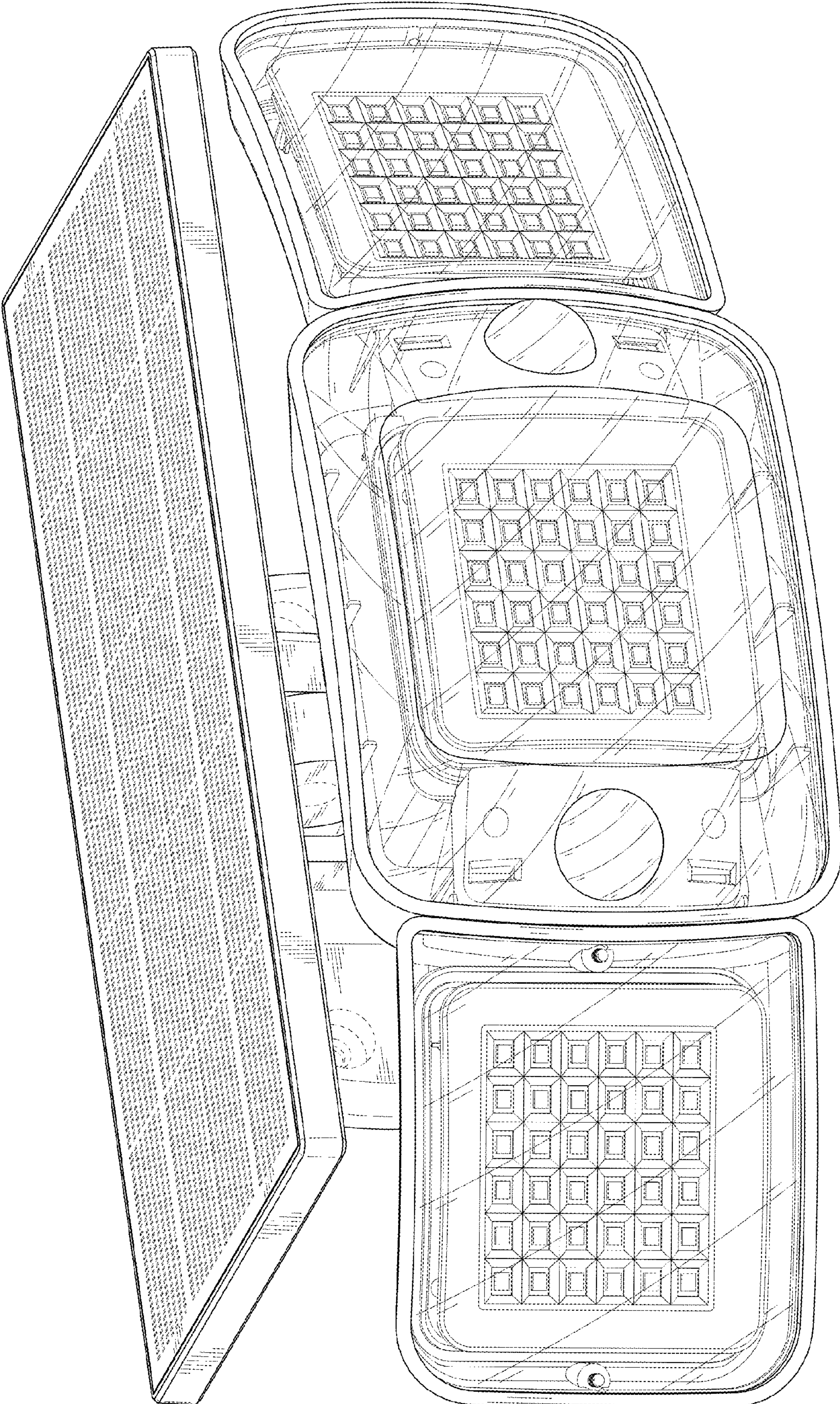


FIG. 1



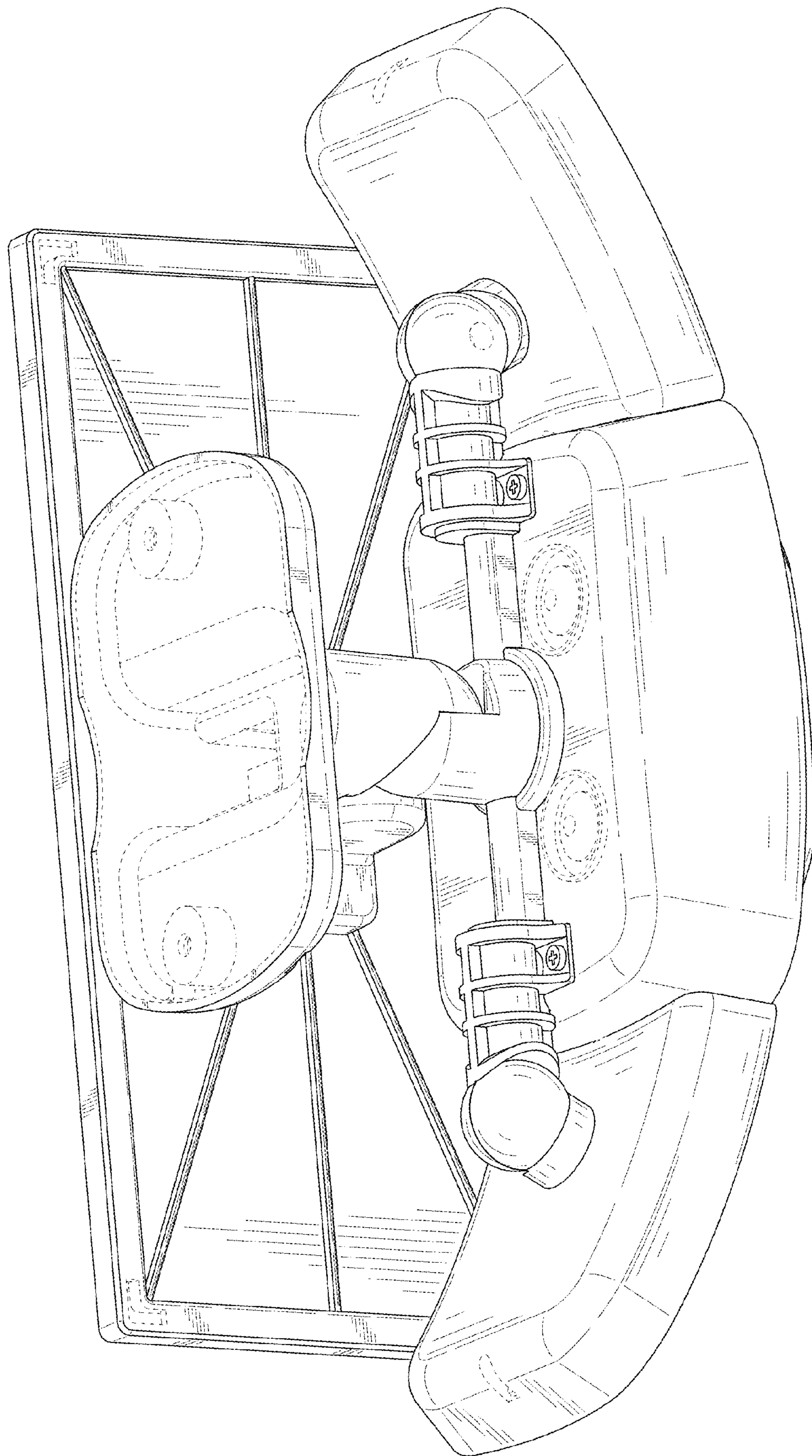


FIG. 2

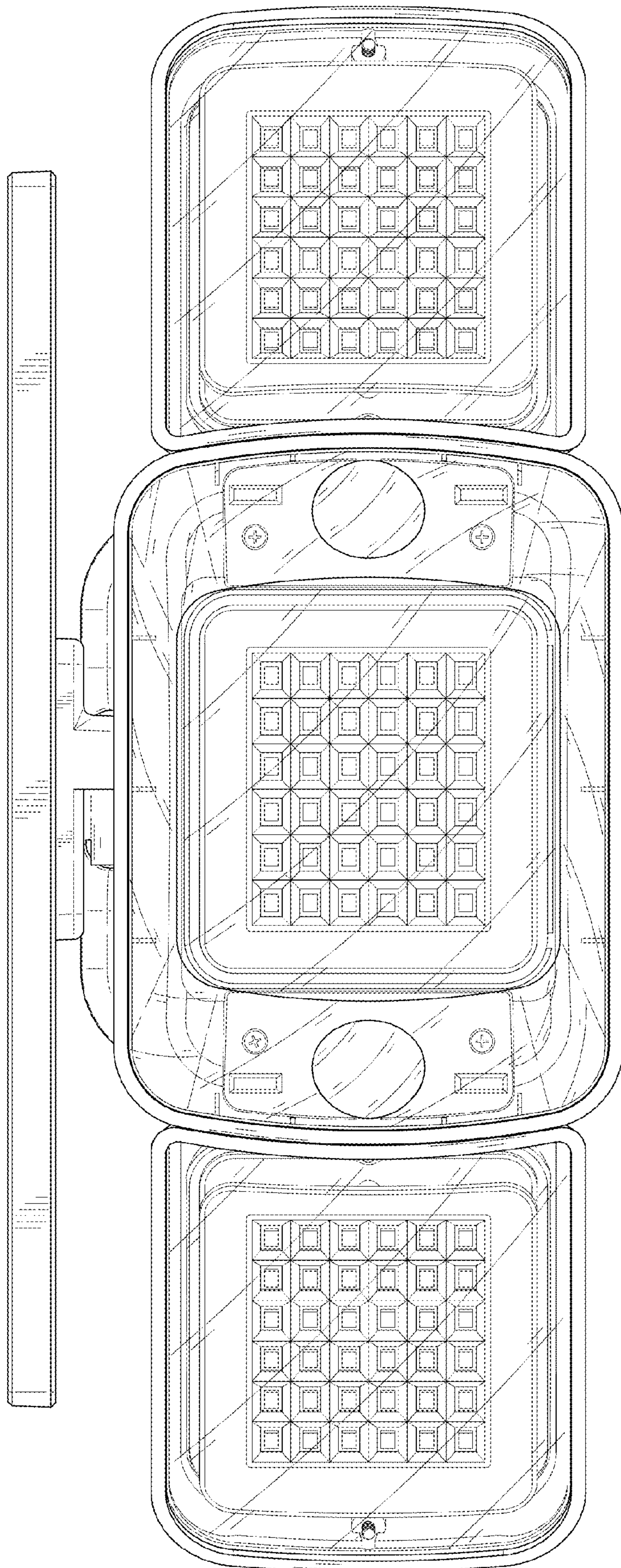


FIG. 3

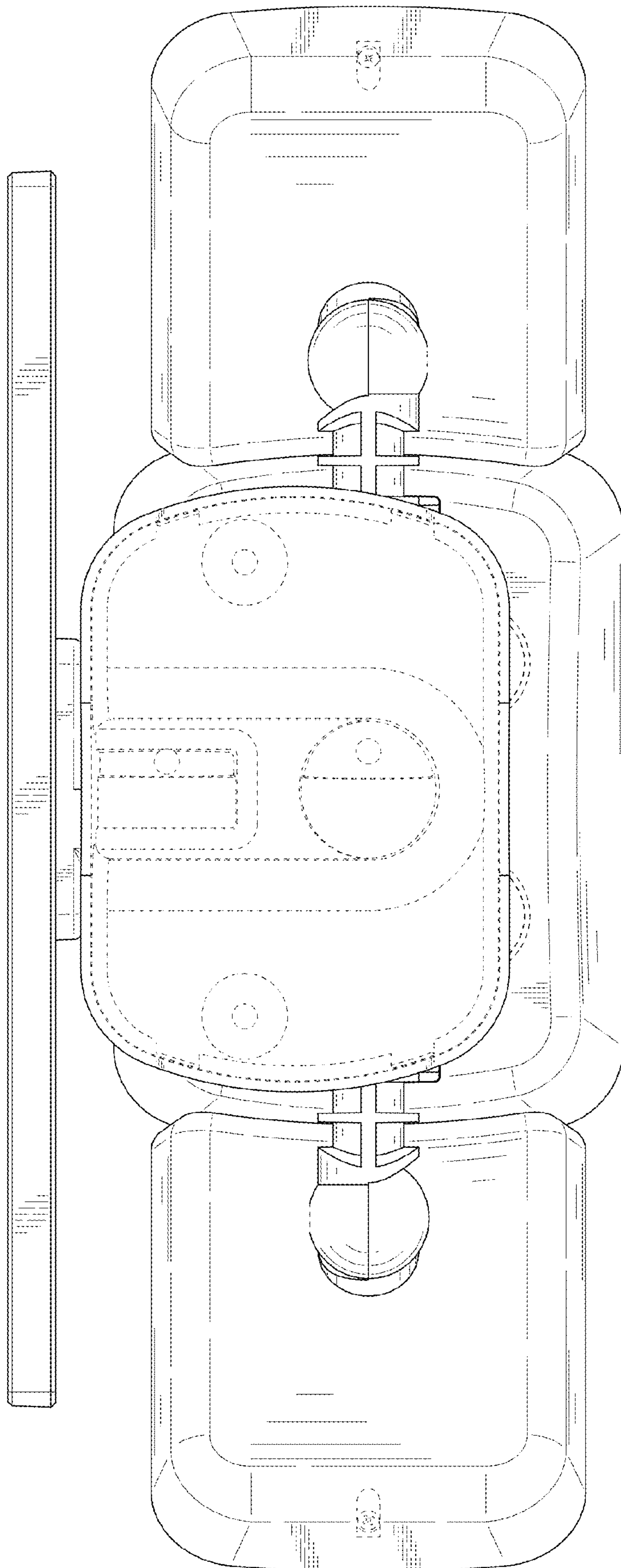


FIG. 4



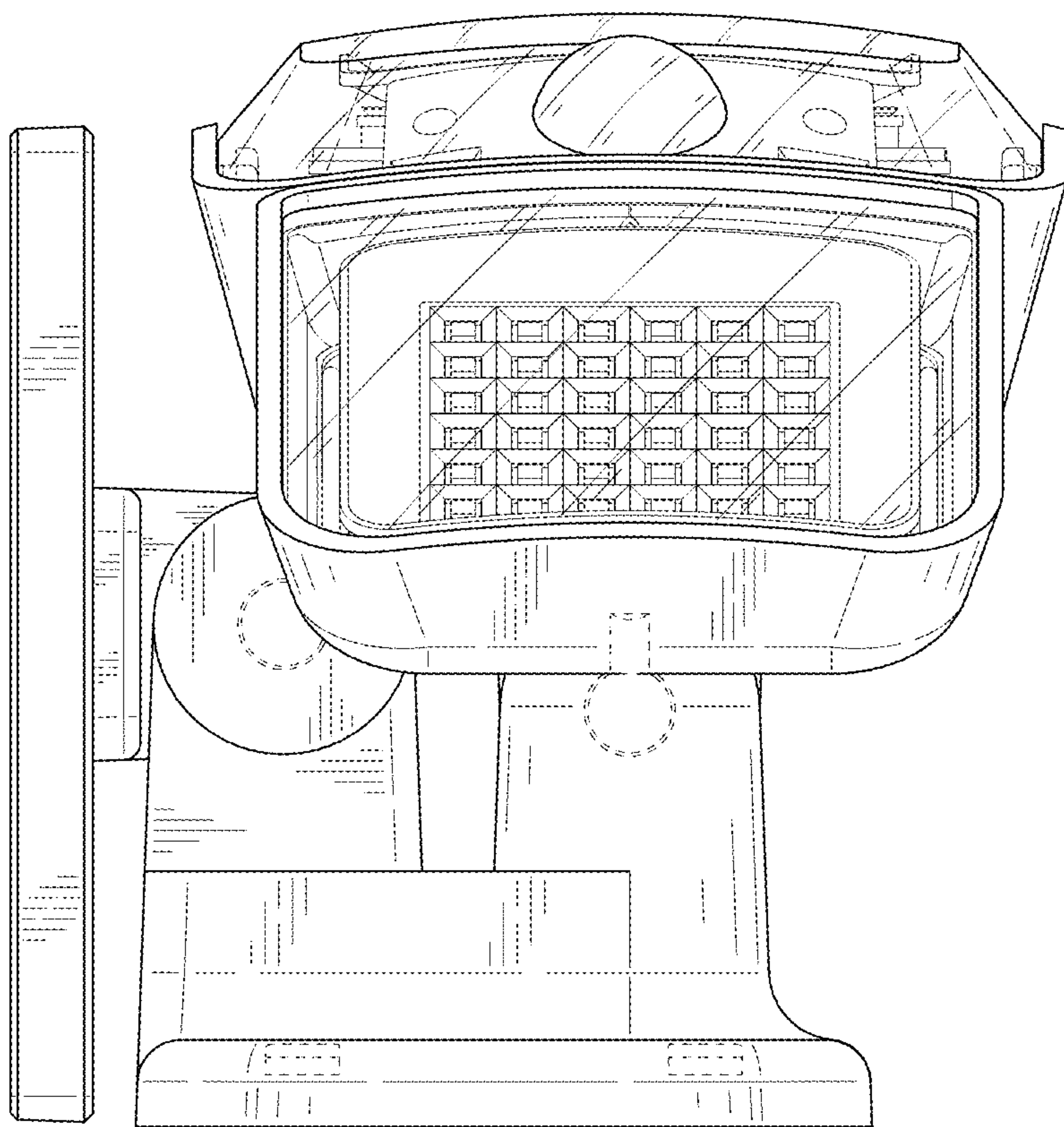


FIG. 5

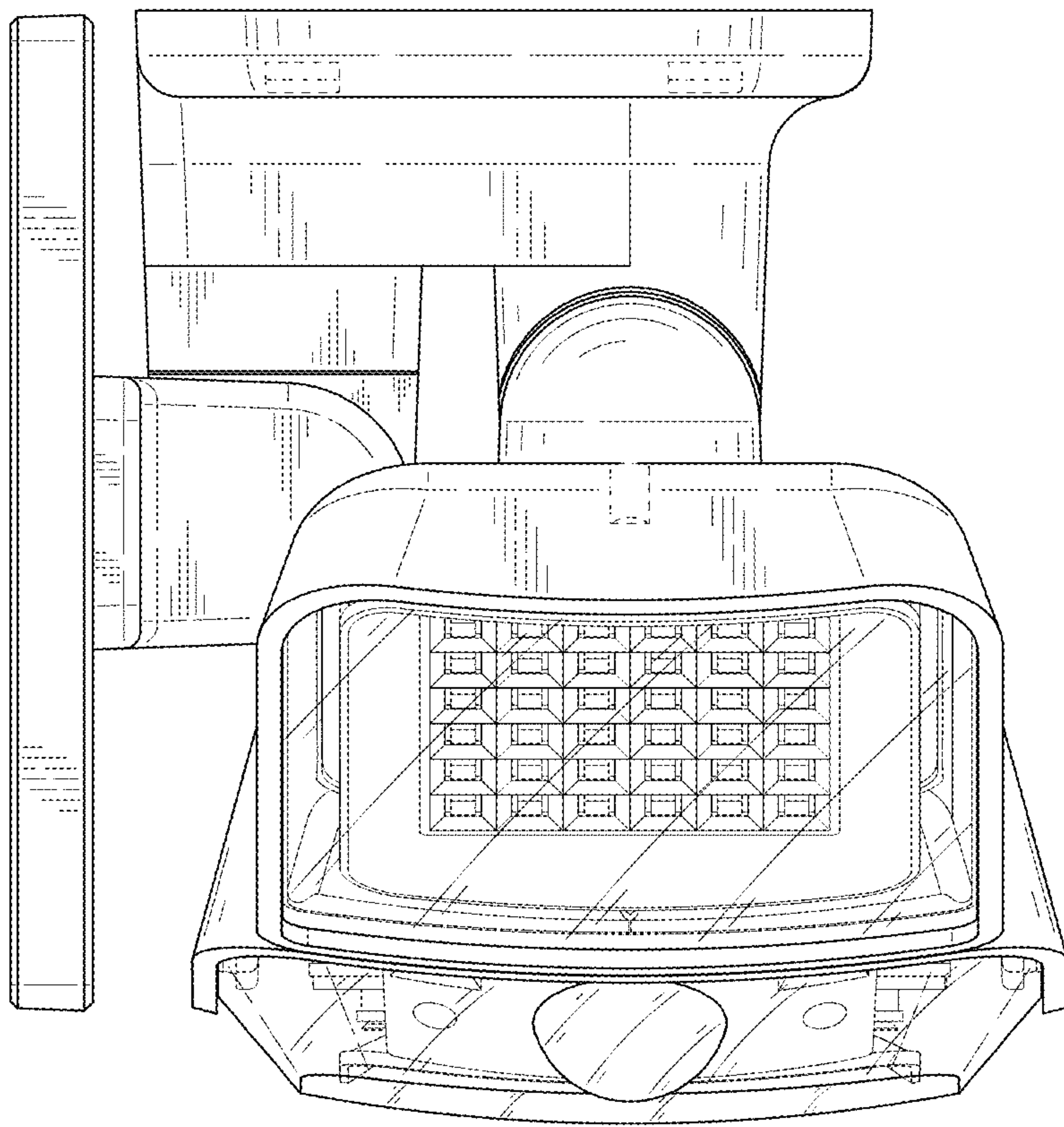


FIG. 6



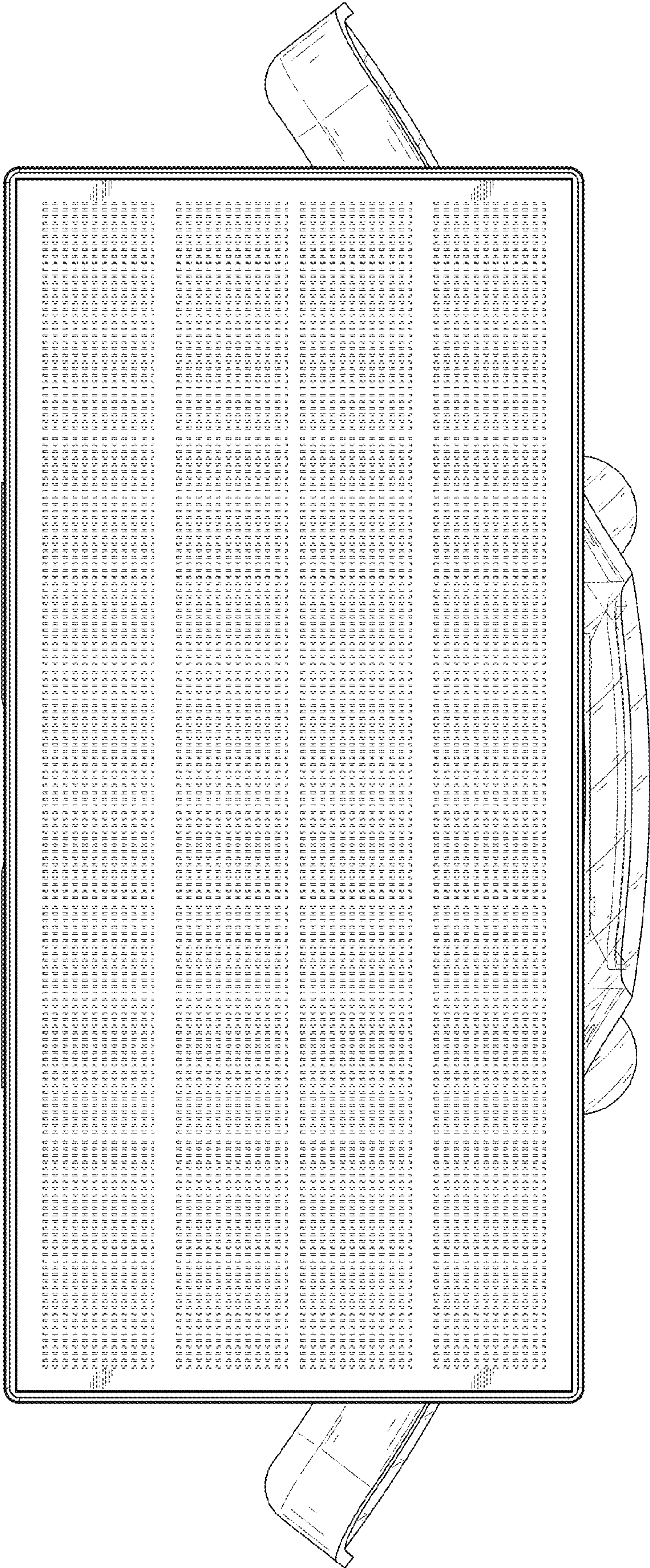


FIG. 7

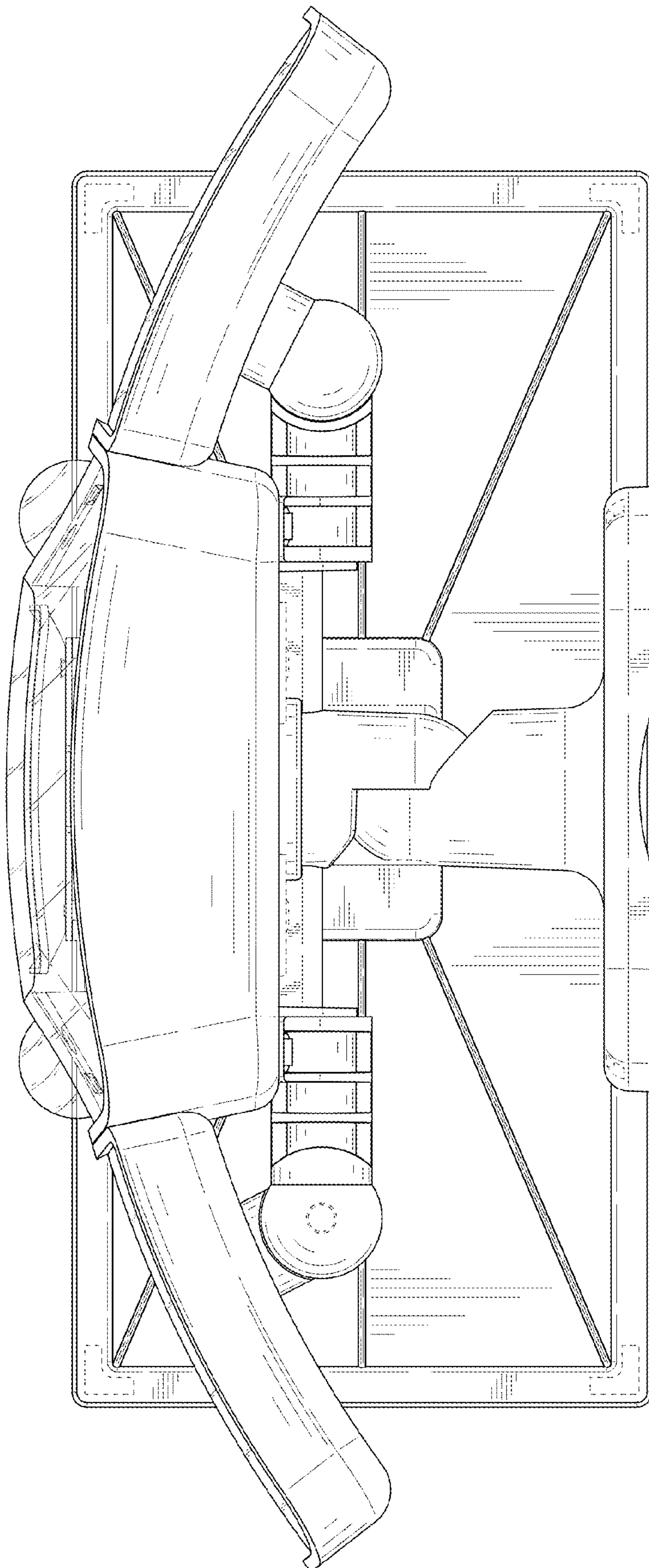


FIG. 8