



US00D984007S

(12) **United States Design Patent**
Kong

(10) **Patent No.:** **US D984,007 S**

(45) **Date of Patent:** **** Apr. 18, 2023**

(54) **LAMP**

D963,911 S * 9/2022 Chen D13/102
D965,838 S * 10/2022 Wu D26/63
D966,590 S * 10/2022 Huang D26/63

(71) Applicant: **ZHONGSHAN XIAOLAN TOWN
YAOSHUOLI LIGHTING
FACTORY**, Zhongshan (CN)

OTHER PUBLICATIONS

(72) Inventor: **Lingguo Kong**, Zhongshan (CN)

WHOUSEWE Solar Landscape Spotlight, ASIN: B08V19LBC1.
Available from amazon.com Jan. 26, 2021. (Year: 2021).*
VEMOLLA Solar Spotlight, ASIN: B0B28Q31HM. Available from
amazon.com Jun. 24, 2022. (Year: 2022).*
HNES Solar Spotlight, ASIN: B09TSK1KB3. Available from amazon.
com Mar. 3, 2022. (Year: 2022).*

(**) Term: **15 Years**

* cited by examiner

(21) Appl. No.: **29/757,148**

(22) Filed: **Nov. 3, 2020**

Primary Examiner — Clare E Heflin

(51) **LOC (14) Cl.** **26-05**

(74) *Attorney, Agent, or Firm* — Daniel M. Cohn;
Howard M. Cohn

(52) **U.S. Cl.**

USPC **D26/63; D26/67**

(58) **Field of Classification Search**

USPC D26/67, 68

CPC F21S 8/02; F21S 8/032; F21S 8/036; F21S
8/081; F21S 8/083; F21S 8/088; F21S
9/02; F21S 9/035; F21S 9/03; F21S
9/037; F21V 21/0824; F21W 2111/02;
F21W 2111/023; F21W 2131/109

See application file for complete search history.

(57) **CLAIM**

The ornamental design for a lamp, as shown and described.

DESCRIPTION

FIG. 1 is a perspective view of a lamp showing my new design;

FIG. 2 is another perspective view thereof;

FIG. 3 is a front elevational view thereof;

FIG. 4 is a rear elevational view thereof;

FIG. 5 is a left side elevational view thereof;

FIG. 6 is a right side elevational view thereof;

FIG. 7 is a top plan view thereof; and,

FIG. 8 is a bottom plan view thereof.

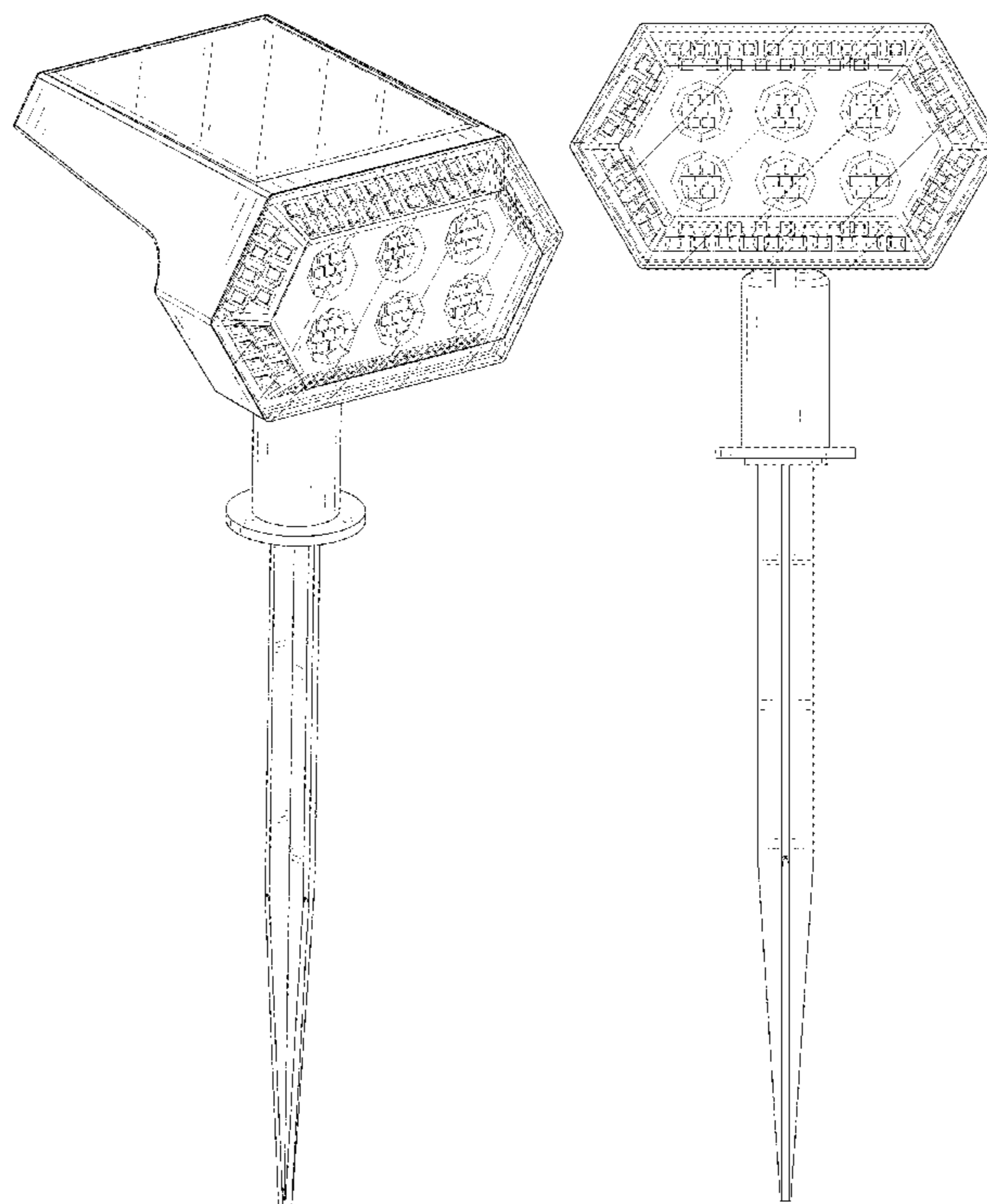
The broken lines in the drawings depict portions of the lamp that form no part of the claimed design.

(56) **References Cited**

U.S. PATENT DOCUMENTS

D834,231 S * 11/2018 Yu D26/63
D921,261 S * 6/2021 Qiu D26/67
D922,646 S * 6/2021 Huang D26/63
D923,226 S * 6/2021 Hu D26/63
D925,100 S * 7/2021 Hui D26/68
D930,225 S * 9/2021 Jiang D26/68
D930,889 S * 9/2021 Liu D26/68
D963,224 S * 9/2022 Wu D26/63

1 Claim, 8 Drawing Sheets



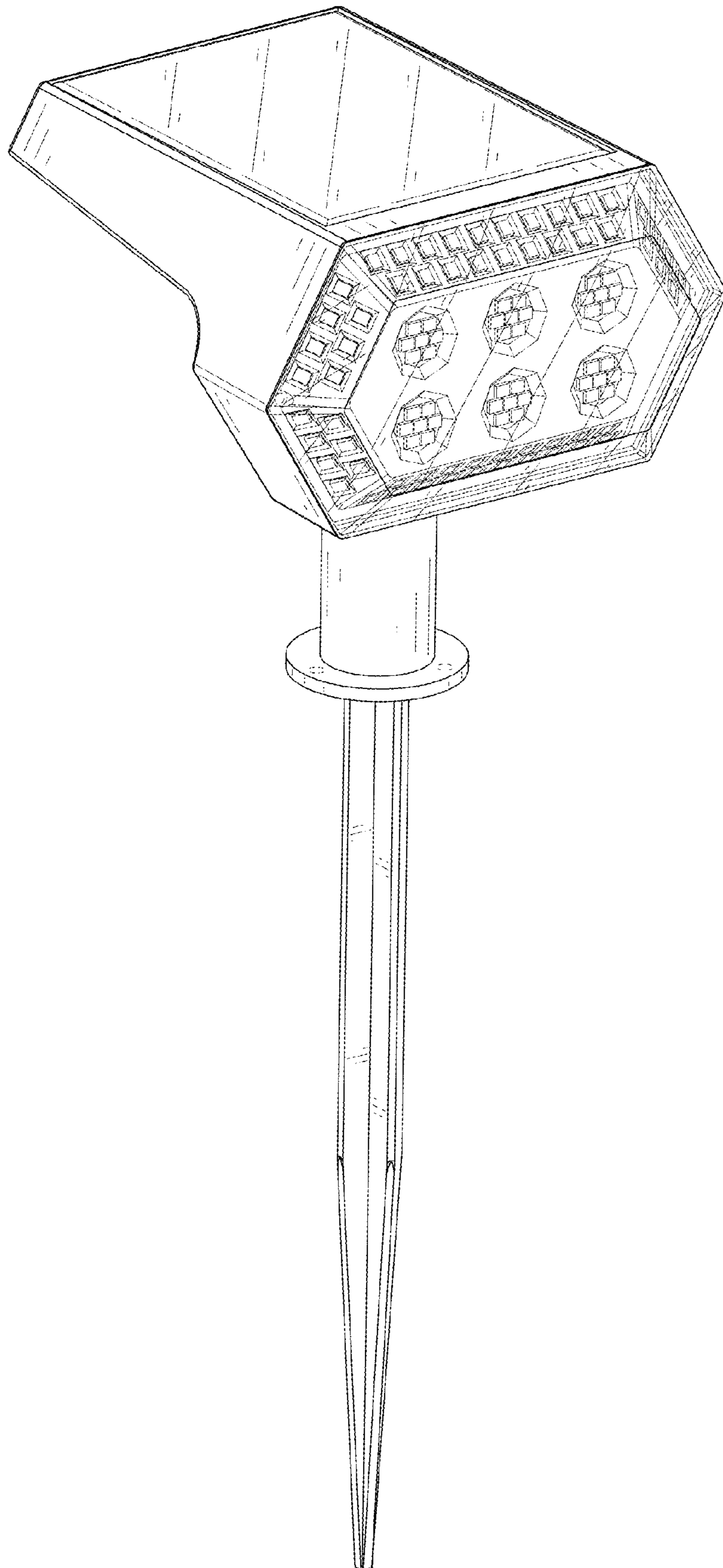


FIG. 1

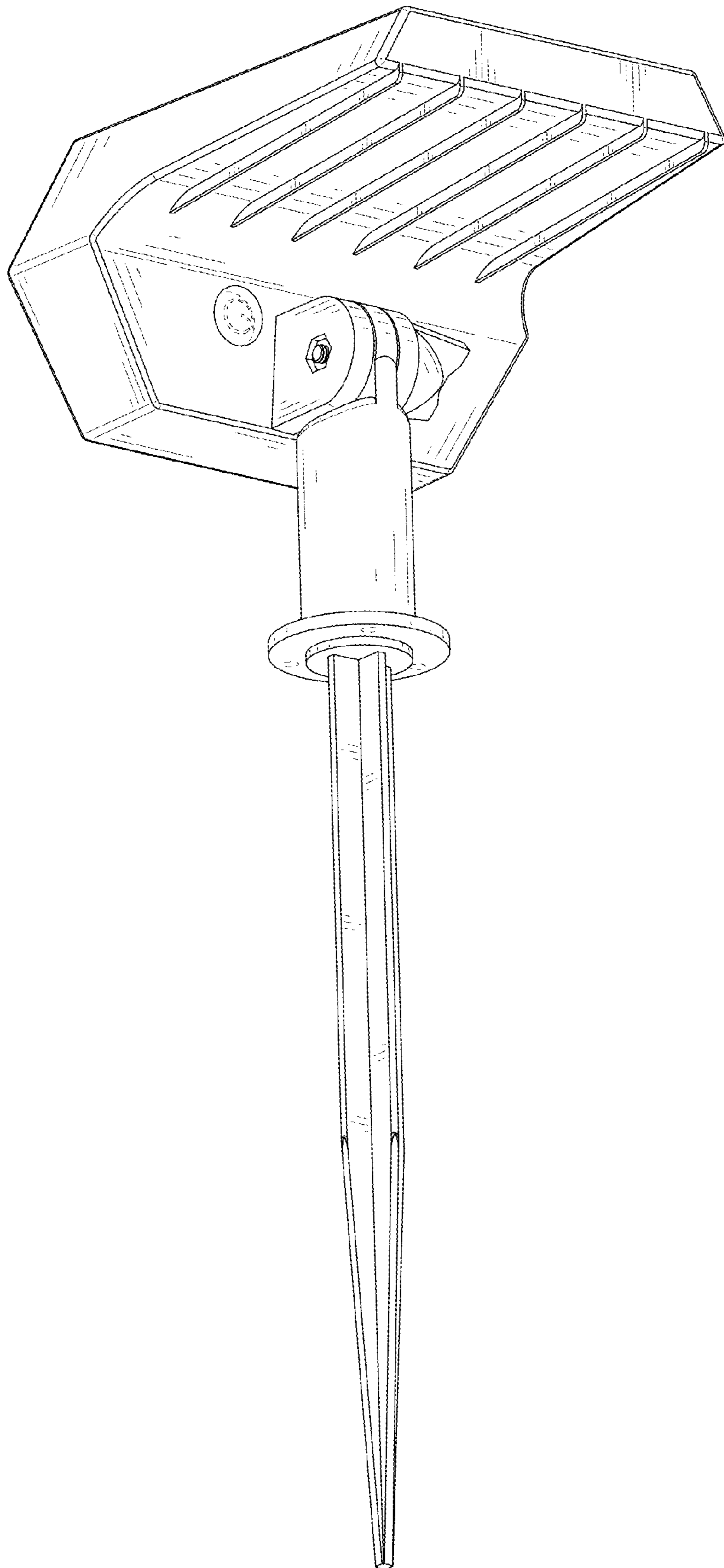


FIG. 2

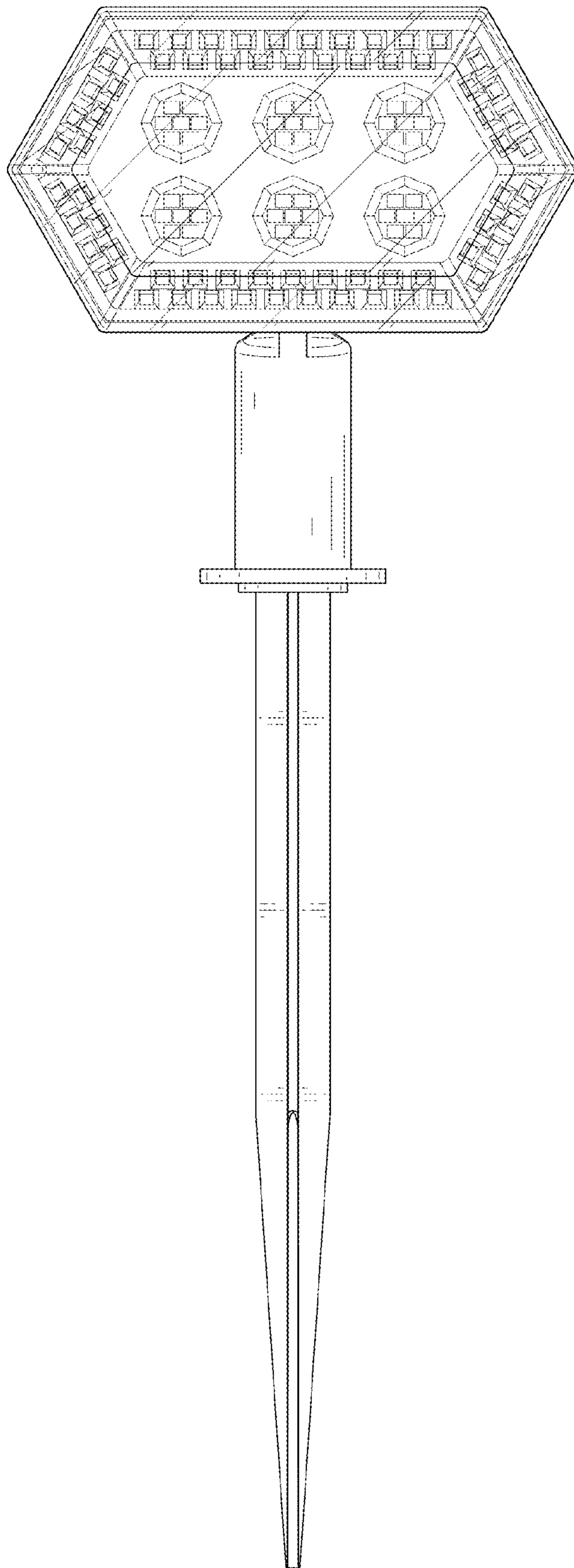


FIG. 3

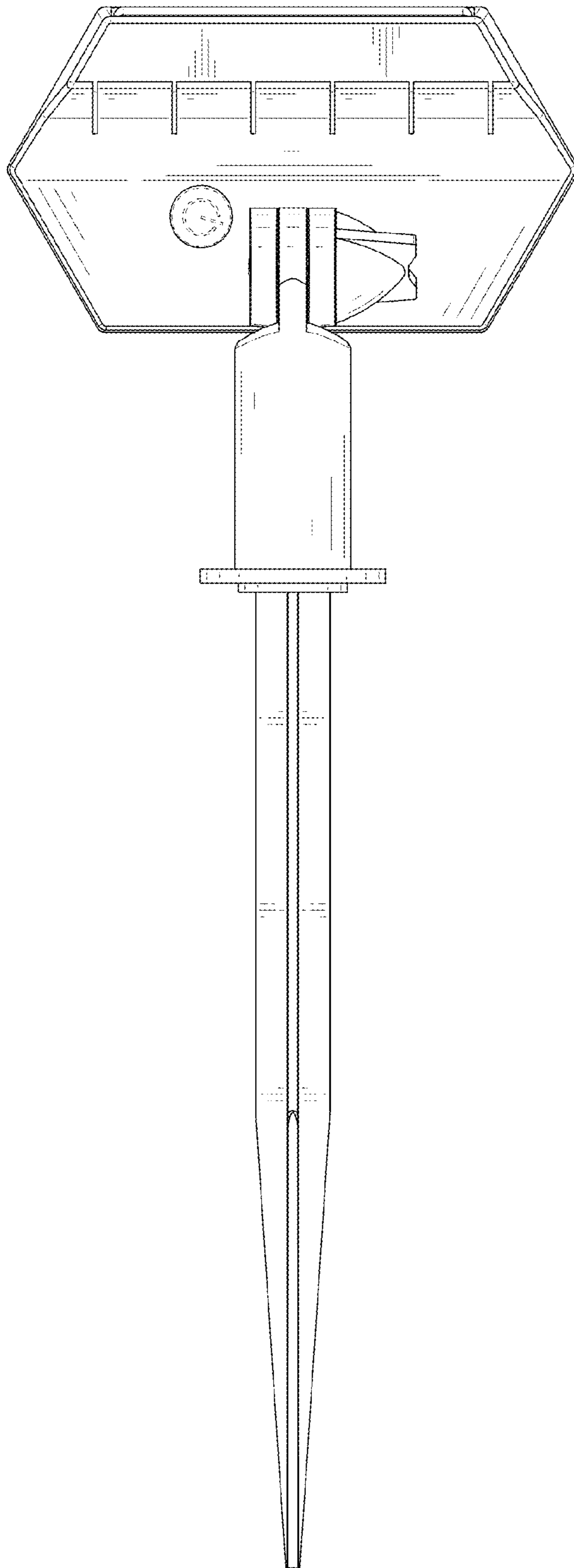


FIG. 4

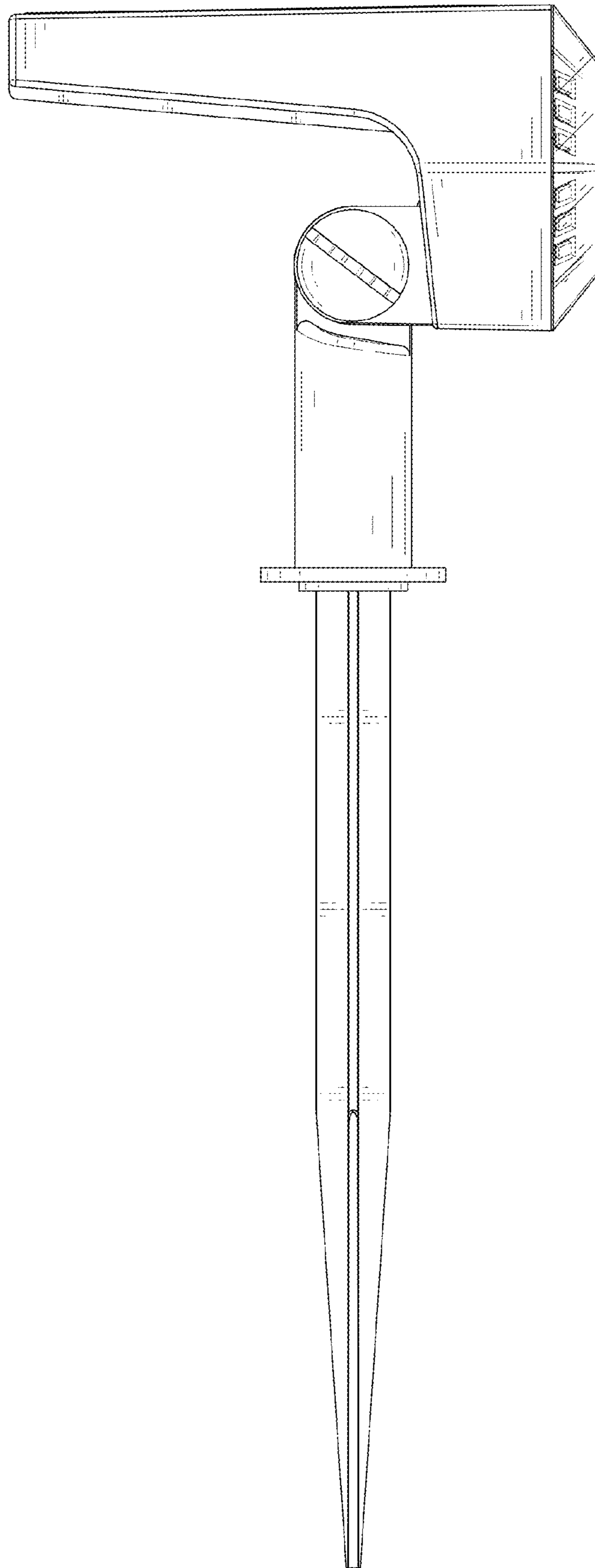


FIG. 5

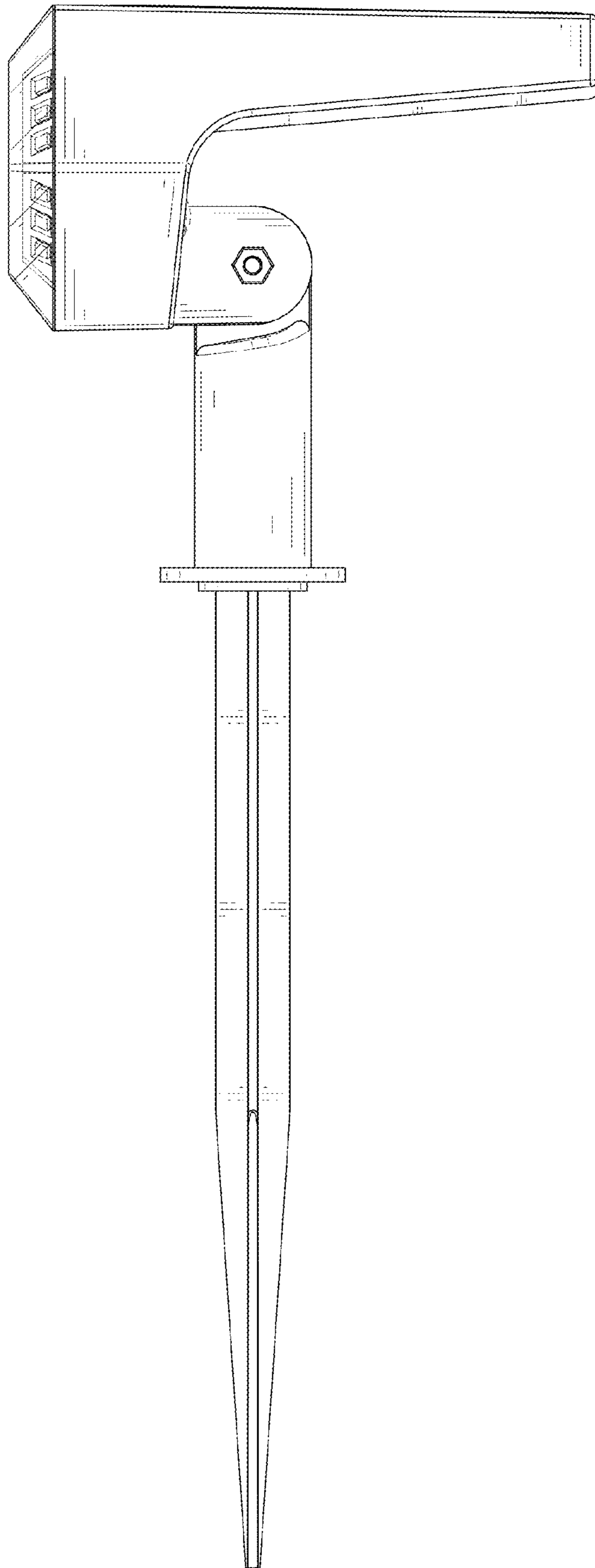


FIG. 6

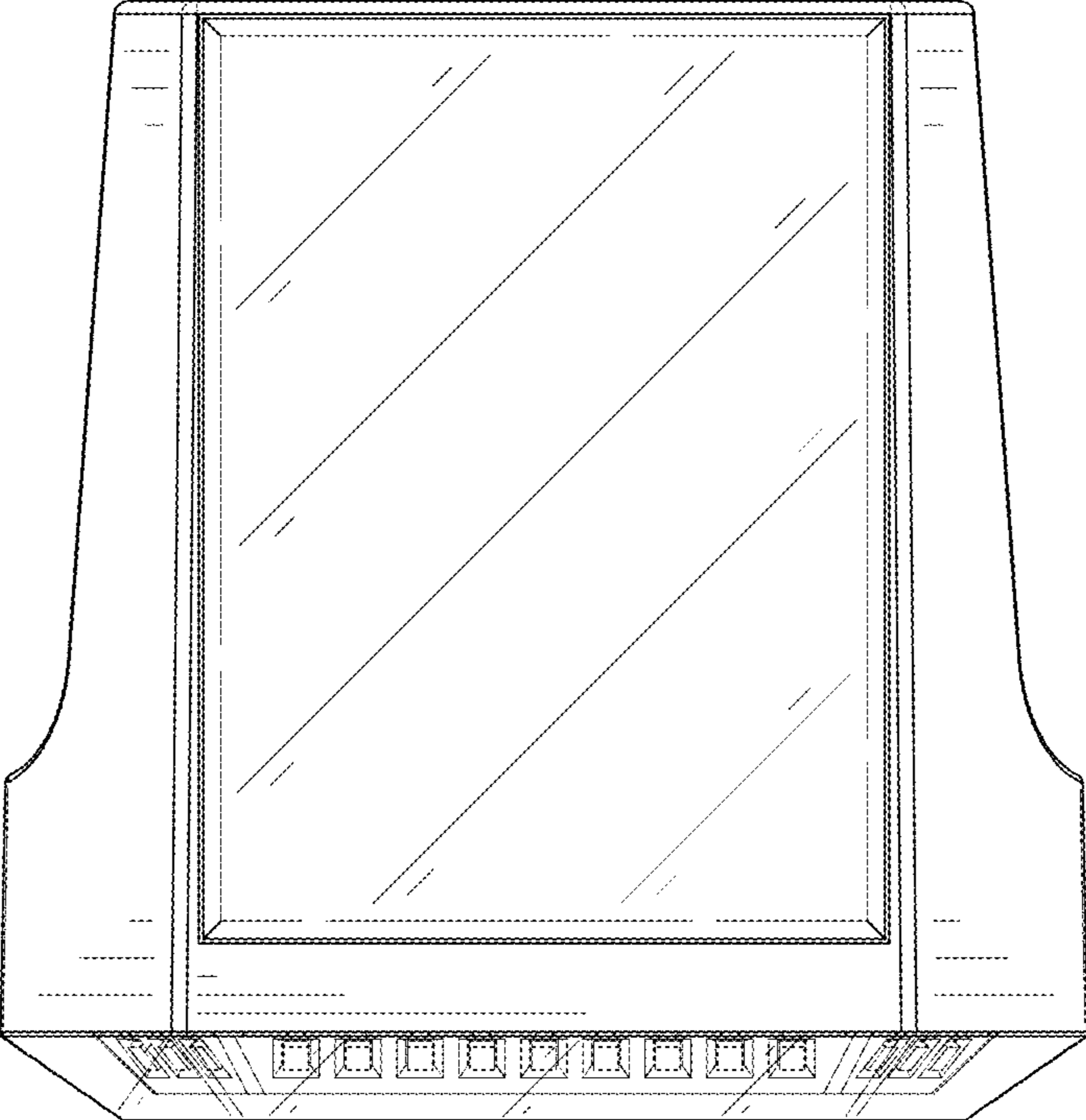


FIG. 7

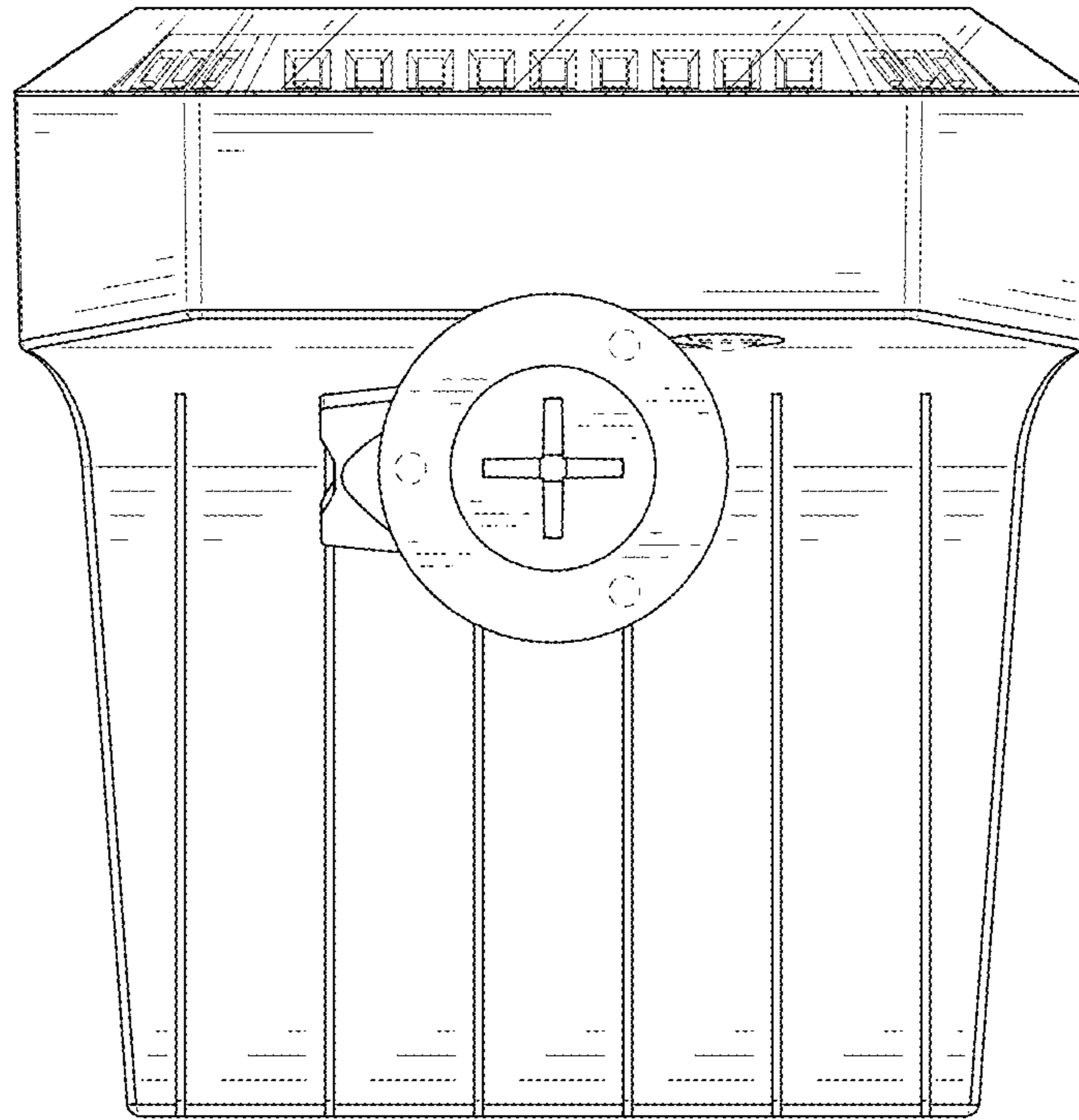


FIG. 8