



US00D984003S

(12) **United States Design Patent** (10) **Patent No.:** **US D984,003 S**  
**Lu** (45) **Date of Patent:** **\*\* Apr. 18, 2023**

(54) **WORK LAMP**

(71) Applicant: **YUYAO TAILIAN LIGHTING ELECTRIC CO., LTD.**, Zhejiang (CN)

(72) Inventor: **Jianqiao Lu**, Zhejiang (CN)

(73) Assignee: **YUYAO TAILIAN LIGHTING ELECTRIC CO., LTD.**, Zhejiang (CN)

(\*\*) Term: **15 Years**

(21) Appl. No.: **29/761,690**

(22) Filed: **Dec. 11, 2020**

(30) **Foreign Application Priority Data**

Sep. 24, 2020 (CN) ..... 202030574268.2

(51) **LOC (14) Cl.** ..... **26-03**

(52) **U.S. Cl.**  
USPC ..... **D26/24**

(58) **Field of Classification Search**  
USPC ..... D26/1, 2, 24, 51, 52, 60, 72, 74, 85, 93,  
D26/104, 106, 37  
CPC ..... F21S 6/00; F21S 8/00; F21S 8/02; F21S  
8/03; F21S 8/035; F21S 8/04; F21S 8/06;  
F21S 8/061; F21S 8/063; F21S 10/00;  
F21K 9/00  
See application file for complete search history.

(56) **References Cited**

**U.S. PATENT DOCUMENTS**

D457,670 S \* 5/2002 Allen ..... D26/37  
D679,849 S \* 4/2013 Ham ..... D26/74  
D736,442 S \* 8/2015 Kovacik ..... D26/37  
D776,321 S \* 1/2017 Saboo ..... D26/63

(Continued)

**FOREIGN PATENT DOCUMENTS**

CN 304506491 \* 9/2017  
CN 304748380 \* 10/2017  
CN 306304904 \* 9/2020

**OTHER PUBLICATIONS**

“Honeywell 3000LM” reference by Honeywell LED Lighting on Amazon.com, date first available Nov. 21, 2019 [online], site visited Apr. 12, 2022, available from internet URL: <https://www.amazon.com/Honeywell-Portable-Integrated-Brightness-Repairing/dp/B081TWQ8TY> (Year: 2019).\*

(Continued)

*Primary Examiner* — Richard Kearney

*Assistant Examiner* — Liv C Anderson

(74) *Attorney, Agent, or Firm* — JCIP Global Inc.

(57) **CLAIM**

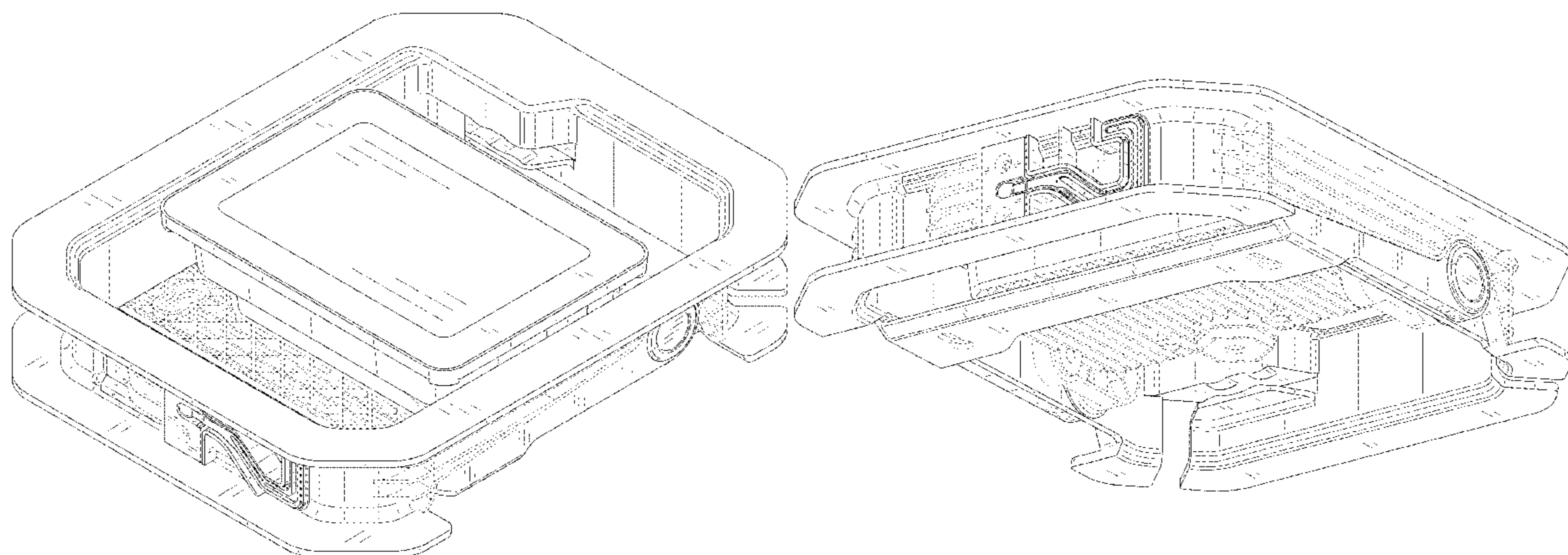
The ornamental design for a work lamp, as shown and described.

**DESCRIPTION**

FIG. 1 is a front top right perspective view of a work lamp showing my new design;  
FIG. 2 is a front bottom right perspective view thereof;  
FIG. 3 is a rear bottom left perspective view thereof;  
FIG. 4 is a front view thereof;  
FIG. 5 is a rear view thereof;  
FIG. 6 is a left view thereof;  
FIG. 7 is a right view thereof;  
FIG. 8 is a top view thereof; and,  
FIG. 9 is a bottom view thereof.

The claim is directed to shaded surfaces. The broken lines immediately adjacent the shaded areas represent the bounds of the claimed design while all other broken lines are directed to portions of the work lamp that form no part of the claimed design. All the broken lines form no part of the claimed design. Any unshaded areas or surfaces between solid lines and broken lines form no part of the claimed design.

**1 Claim, 6 Drawing Sheets**



(56)

**References Cited**

## U.S. PATENT DOCUMENTS

D781,480	S	*	3/2017	Zhan	.....	D26/63
D805,673	S	*	12/2017	Dai	.....	D26/63
D835,820	S	*	12/2018	Zhu	.....	D26/44
D882,838	S	*	4/2020	Mao	.....	D26/37
D890,395	S	*	7/2020	Bertken	.....	D26/37
D893,069	S	*	8/2020	Bertken	.....	D26/37
D896,425	S	*	9/2020	Saboo	.....	D26/65
D918,448	S	*	5/2021	Liu	.....	D26/41
D921,258	S	*	6/2021	Xu	.....	D26/63
D927,752	S	*	8/2021	Mao	.....	D26/65
2016/0265754	A1	*	9/2016	Sun	.....	F21V 21/08
2021/0156528	A1	*	5/2021	Wenzel	.....	F21V 21/406

## OTHER PUBLICATIONS

“Bayco” reference by Amazon.com, date first available Oct. 9, 2015 [online], site visited Apr. 12, 2022, available from internet URL: <https://www.amazon.com/Bayco-SL-1514-Single-Fixture-Magnetic/dp/B016PZTZCC> (Year: 2015).\*

“Honeywell LED” reference by alizee Wholesale Partners on Amazon.com, oldest customer review date Jun. 13, 2019 [online], site visited Apr. 12, 2022, available from internet URL: <https://www.amazon.com/Honeywell-Lumen-Collapsible-Light-Rotating/dp/B07GY1XJW1> (Year: 2019).\*

\* cited by examiner

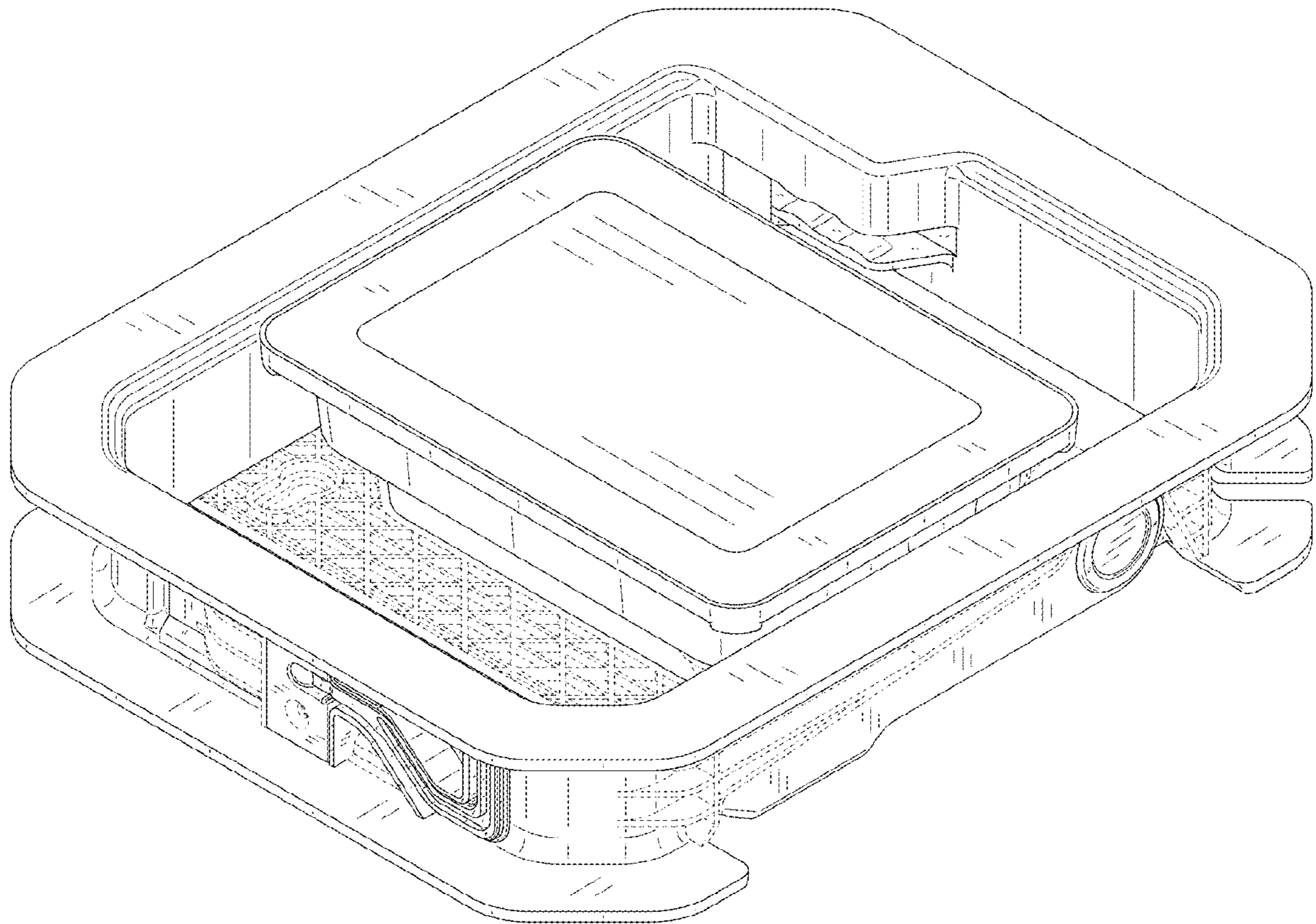


FIG. 1

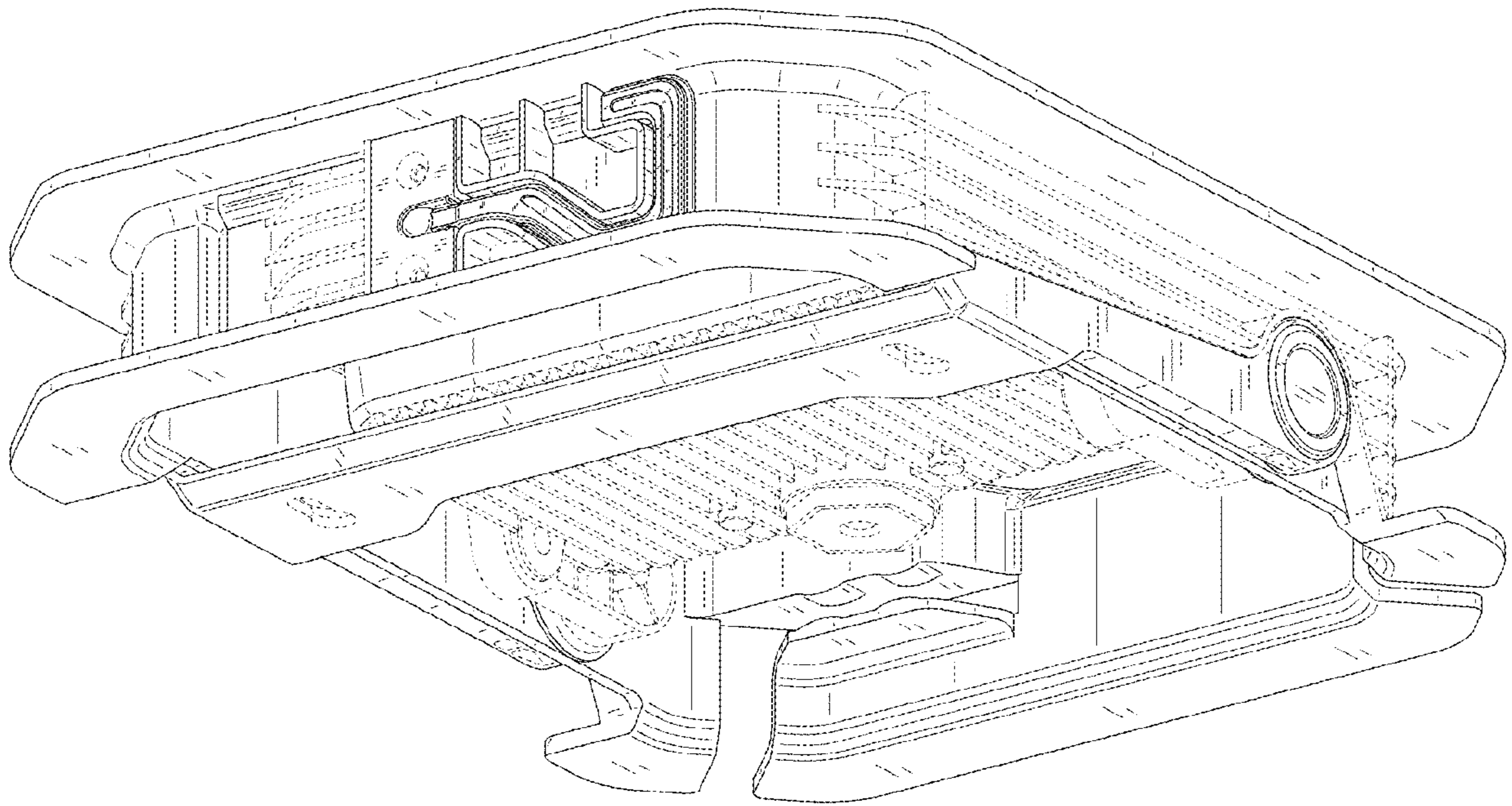


FIG. 2

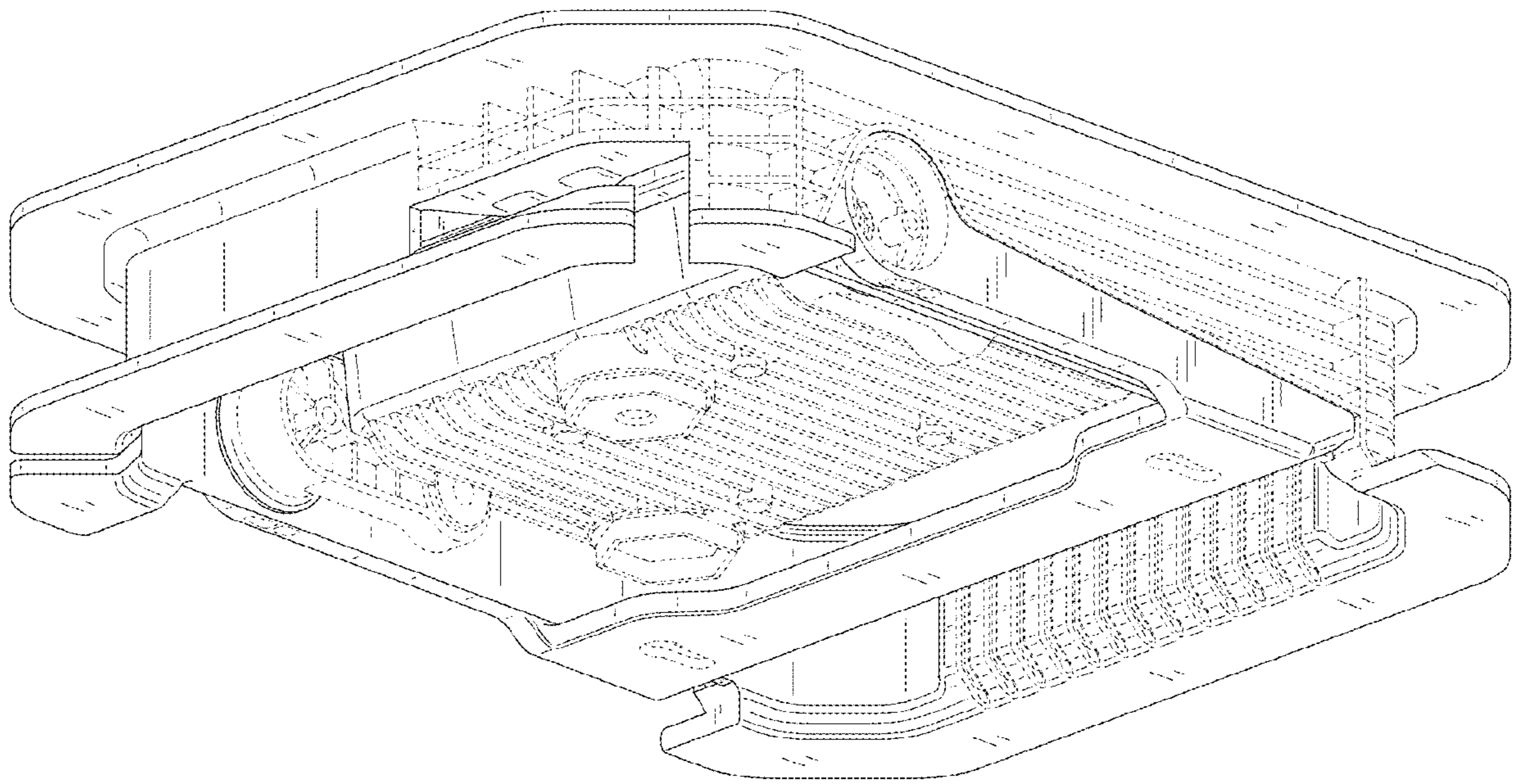


FIG. 3

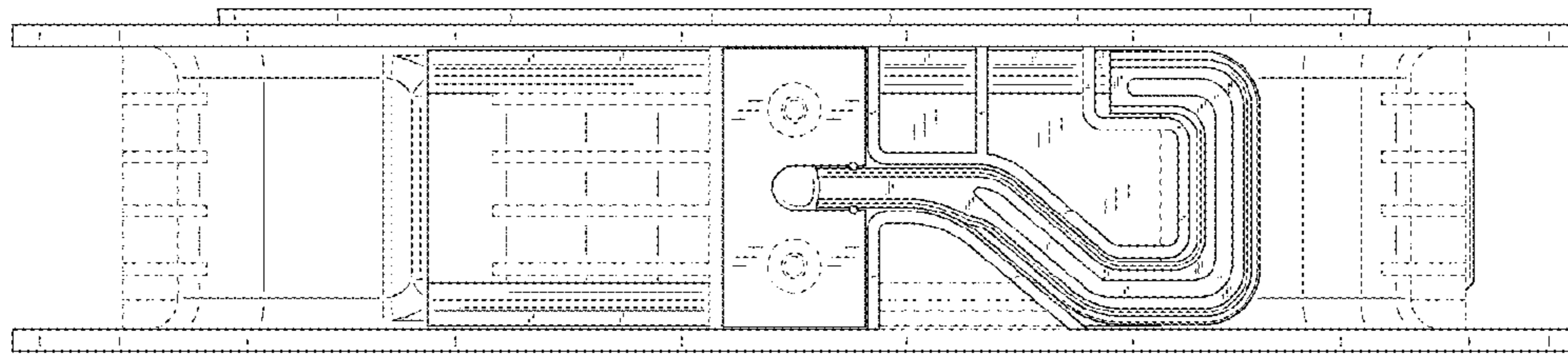


FIG. 4

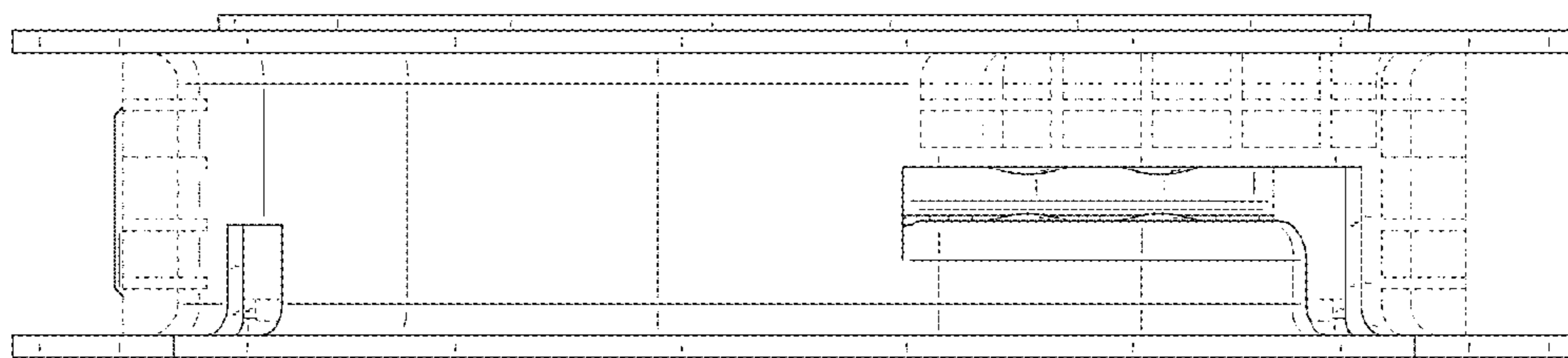


FIG. 5

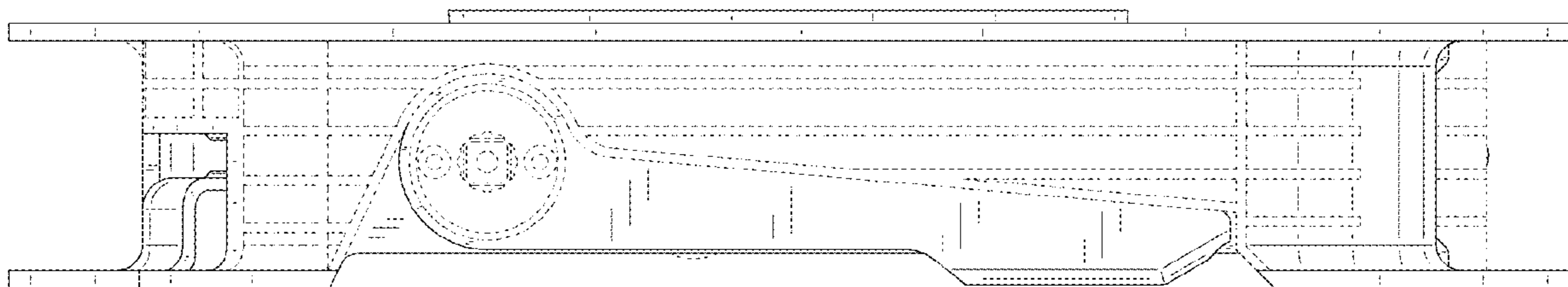


FIG. 6

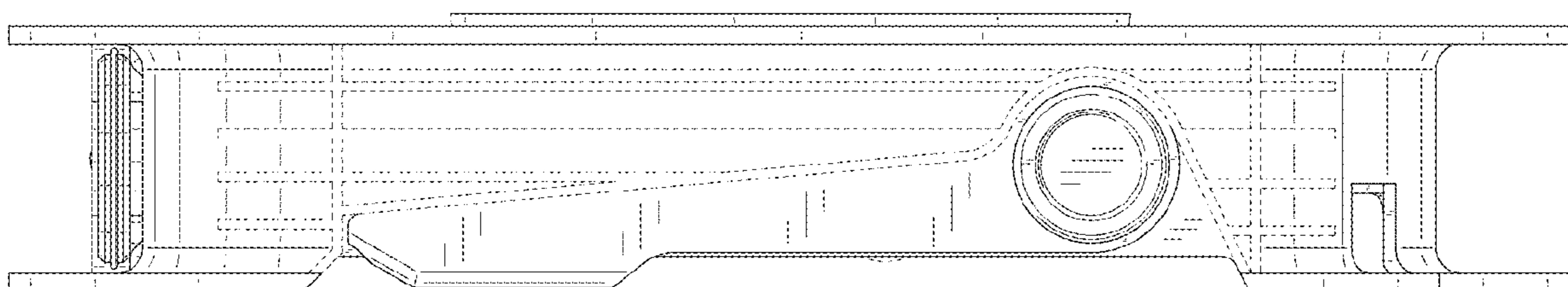


FIG. 7

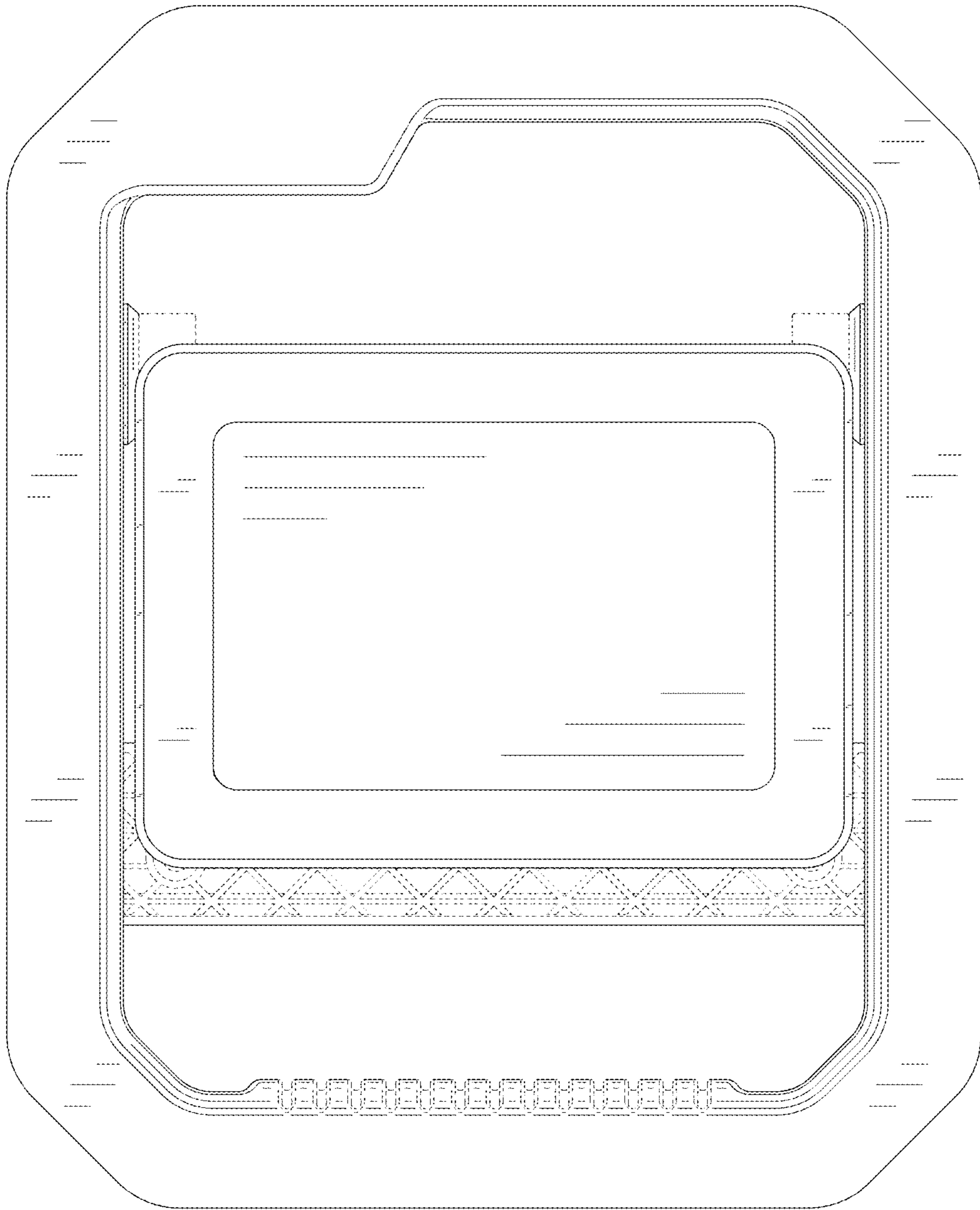


FIG. 8

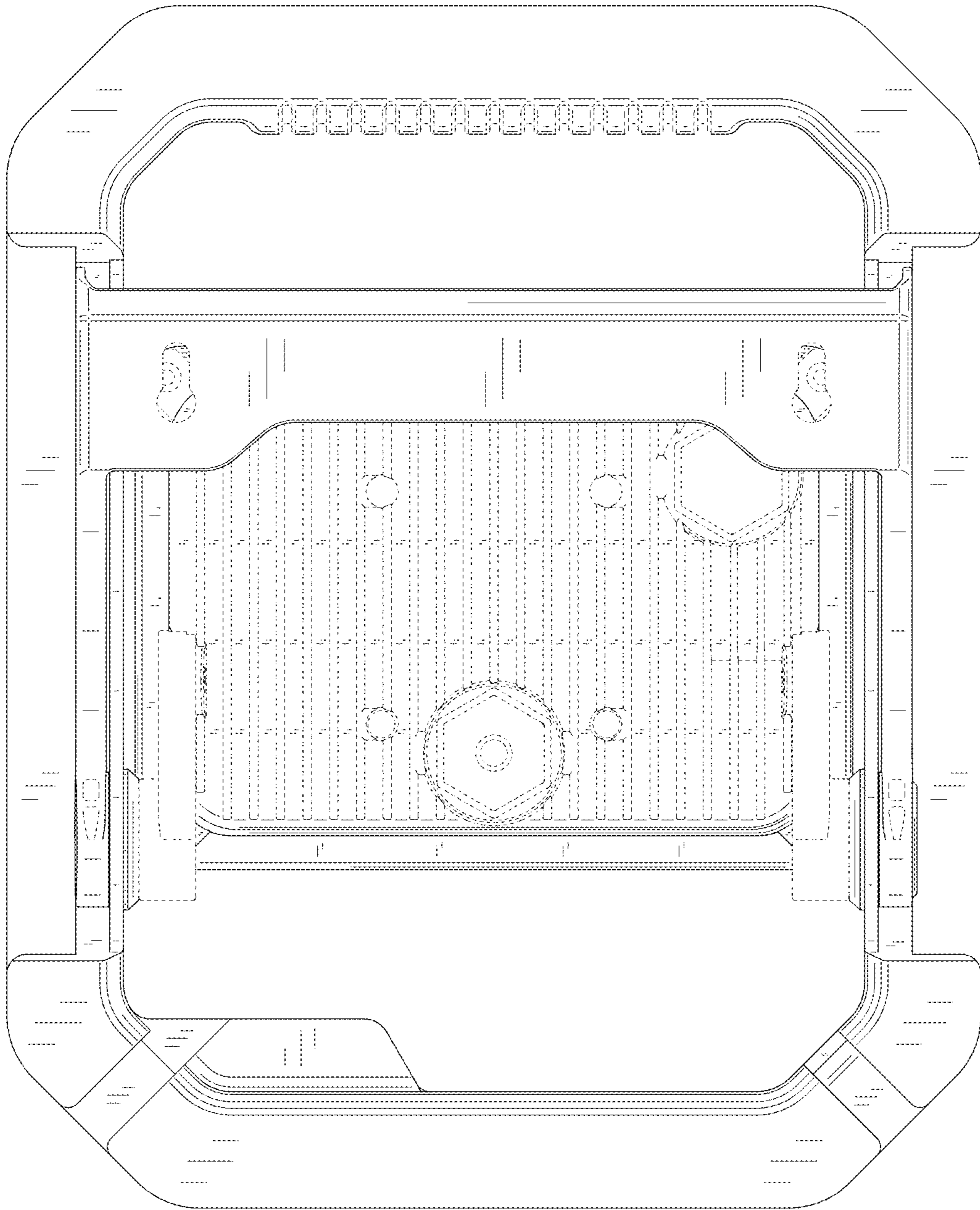


FIG. 9