



US00D984001S

(12) **United States Design Patent** (10) **Patent No.:** **US D984,001 S**  
**He** (45) **Date of Patent:** **\*\* Apr. 18, 2023**

(54) **LIGHT EMITTING DIODE**  
(71) Applicant: **SHANGYOU JIAYI LIGHTING PRODUCT CO., LTD., Jiangxi (CN)**  
(72) Inventor: **Yaowen He, Jiangxi (CN)**  
(73) Assignee: **Shangyou Jiayi Lighting Product Co., Ltd., Jiangxi (CN)**

5,564,819 A \* 10/1996 Yamaguchi ..... H01L 25/0753  
362/249.14  
5,659,222 A \* 8/1997 Ragsdale ..... H01K 1/18  
313/623  
D476,296 S \* 6/2003 Koizumi ..... D13/182  
D480,160 S 9/2003 Matsui et al.  
(Continued)

(\*\*) Term: **15 Years**  
(21) Appl. No.: **29/856,275**

FOREIGN PATENT DOCUMENTS  
CN 306330896 \* 2/2021

(22) Filed: **Oct. 12, 2022**  
(30) **Foreign Application Priority Data**  
Jun. 1, 2022 (CN) ..... 202221358681.5

OTHER PUBLICATIONS  
“Nte Electronics, Inc. Nte30106 ( 6Pack ) 40007004141”, available in Amazon.com, first available online May 28, 2021, site visited Feb. 3, 2023, Internet URL: [https://www.amazon.com/dp/B0963T1KXS?ref\\_=cm\\_sw\\_r\\_cp\\_ud\\_dp\\_4S4EE63M3P6H0AY5PF5D](https://www.amazon.com/dp/B0963T1KXS?ref_=cm_sw_r_cp_ud_dp_4S4EE63M3P6H0AY5PF5D) (Year: 2021).\*  
(Continued)

(51) **LOC (14) Cl.** ..... **26-04**  
(52) **U.S. Cl.**  
USPC ..... **D26/1; D13/182**  
(58) **Field of Classification Search**  
USPC ..... D26/1, 2, 24, 113; D13/180, 182  
CPC .... F21K 9/00; F21L 4/027; F21V 3/04; F21V 5/00; F21V 5/04; F21V 9/08; F21V 14/045; F21V 23/003; F21Y 2115/10; F21Y 2113/17; H05B 45/00; H01K 1/18; Y10S 362/80  
See application file for complete search history.

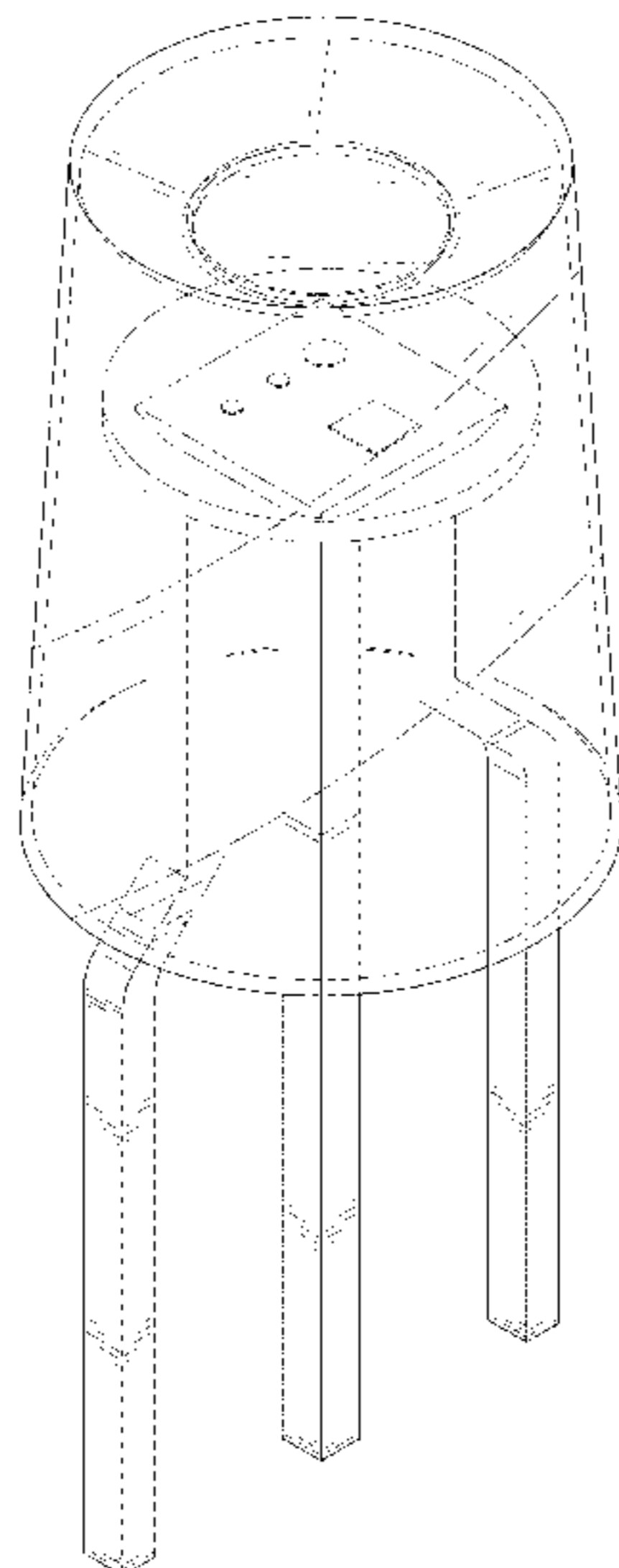
Primary Examiner — Angela J Lee  
Assistant Examiner — Anthony Vincent Rotolo  
(74) *Attorney, Agent, or Firm* — Meunier Carlin & Curfman LLC

(56) **References Cited**  
U.S. PATENT DOCUMENTS  
3,458,779 A \* 7/1969 Blank ..... H01L 29/1608  
313/499  
3,774,086 A \* 11/1973 Vincent, Jr. .... H01L 33/50  
257/433  
3,962,719 A \* 6/1976 Pfaff ..... H05K 7/12  
29/729  
D277,955 S 3/1985 Takahashi  
D278,048 S \* 3/1985 Takahashi ..... D13/182  
D278,049 S \* 3/1985 Takahashi ..... D13/182

(57) **CLAIM**  
The ornamental design for the light emitting diode, as shown and described.

**DESCRIPTION**  
FIG. 1 is a front, left and top side perspective view of the light emitting diode showing my new design;  
FIG. 2 is a rear, right and bottom side perspective view thereof;  
FIG. 3 is a front elevation view thereof;  
FIG. 4 is a rear elevation view thereof;  
FIG. 5 is a left side elevation view thereof;  
FIG. 6 is a right side elevation view thereof;  
FIG. 7 is a top plan view thereof; and,  
FIG. 8 is a bottom plan view thereof.

**1 Claim, 8 Drawing Sheets**



(56)

References Cited

U.S. PATENT DOCUMENTS

D482,666 S 11/2003 Kamada  
 D497,879 S \* 11/2004 Kawamura ..... D10/104.1  
 D564,107 S \* 3/2008 Hor ..... D26/2  
 D568,830 S 5/2008 Park et al.  
 D572,209 S 7/2008 Tokuda  
 D576,967 S 9/2008 Kim et al.  
 D627,494 S \* 11/2010 Wu ..... D26/2  
 D660,258 S 5/2012 Hsu et al.  
 D689,219 S 9/2013 Zhang  
 9,711,690 B2 \* 7/2017 Li ..... F21V 5/04  
 D838,867 S 1/2019 Zhu  
 D861,966 S 10/2019 Wang  
 D935,644 S 11/2021 Zhang  
 D965,536 S 10/2022 Zhang et al.  
 2002/0070681 A1 \* 6/2002 Shimizu ..... H01L 25/0753  
 315/246  
 2004/0245539 A1 \* 12/2004 Chen ..... F21S 4/10  
 257/99  
 2007/0222361 A1 \* 9/2007 Nishi ..... H01L 33/54  
 257/E33.059  
 2021/0358735 A1 11/2021 Hasegawa

OTHER PUBLICATIONS

“WP483YDT, LED Uni-Color Yellow 590nm 2-Pin T-1 3/4 Bulk(50 Items)”, available in Amazon.com, first available online Oct. 11, 2019, site visited Feb. 3, 2023, Internet URL: [https://www.amazon.com/dp/B07YZP9T4H?ref\\_=cm\\_sw\\_r\\_cp\\_ud\\_dp\\_6AAZFW4279GWK0HV4D0N](https://www.amazon.com/dp/B07YZP9T4H?ref_=cm_sw_r_cp_ud_dp_6AAZFW4279GWK0HV4D0N) (Year: 2019).\*

Zhengzhou Winsen Electronics Technology Co., LTD, MP901 Air Quality Gas Sensor Manual, Version 1.1, 2014, 6 pages, retrieved on Nov. 7, 2022 from <[https://www.winsen-sensor.com/d/files/PDF/Flat-surfaced%20Gas%20Sensor/MP901%20Manual%20\(Ver1.1\).pdf](https://www.winsen-sensor.com/d/files/PDF/Flat-surfaced%20Gas%20Sensor/MP901%20Manual%20(Ver1.1).pdf)>.

Standard LEDs—Through Hole Red/Grn Diffused 640/570nm 100/80mcd, 5 pages, retrieved on Nov. 7, 2022 from <<https://www.mouser.com/ProductDetail/VCC/VAOB-3GADE2-C?qs=io7aH2hdVh6KVrorlGlueA%3D%3D>>.

Figaro USA, Inc., TGS 2611—for the detection of Methane, Oct. 2013, 2 pages, retrieved on Nov. 7, 2022 from <[https://figarosensor.com/product/docs/TGS%202611C00\(1013\).pdf](https://figarosensor.com/product/docs/TGS%202611C00(1013).pdf)>.

Beamqus, Laser Diode in 9mm TO Can 500mW 1064nm-1085nm, 7 pages, retrieved on Nov. 7, 2022 from <<https://beamqus.com/product/high-power-diode-laser-in-9mm-to-can-header-500mw-1064nm/>>.

\* cited by examiner

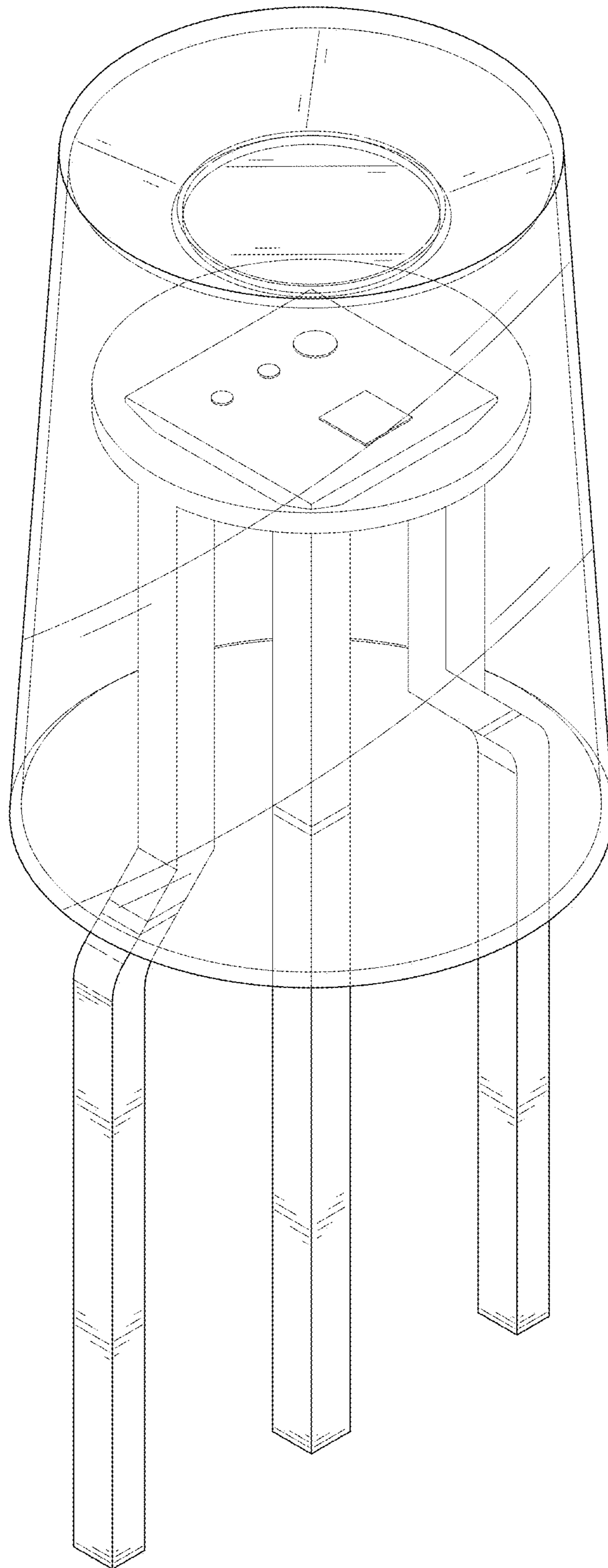


FIG. 1

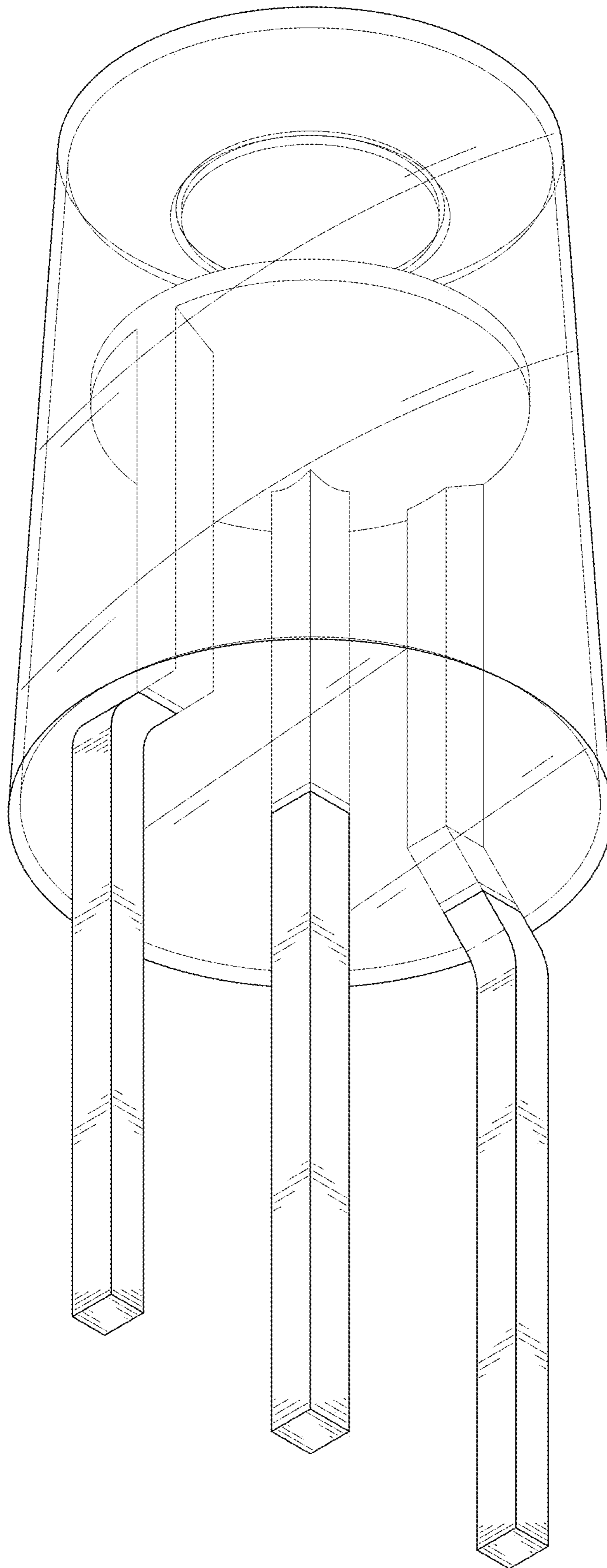


FIG. 2

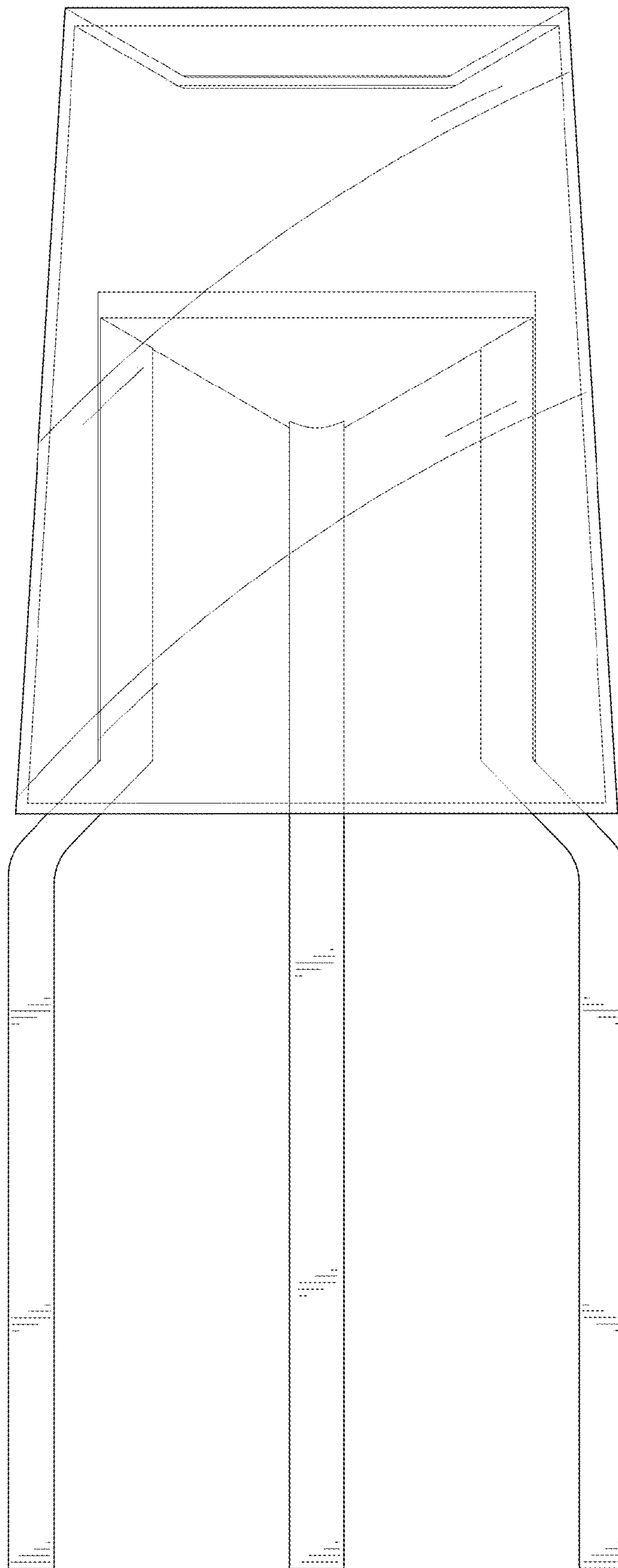


FIG. 3

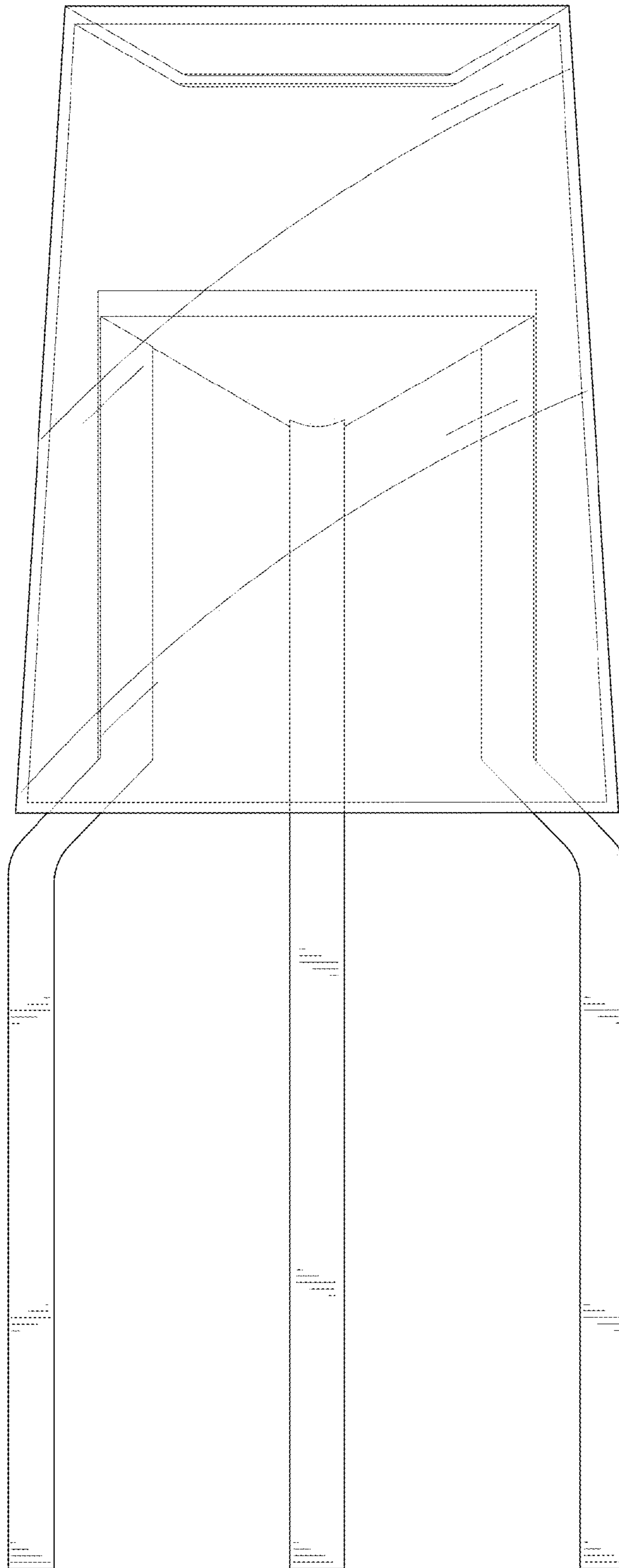


FIG. 4

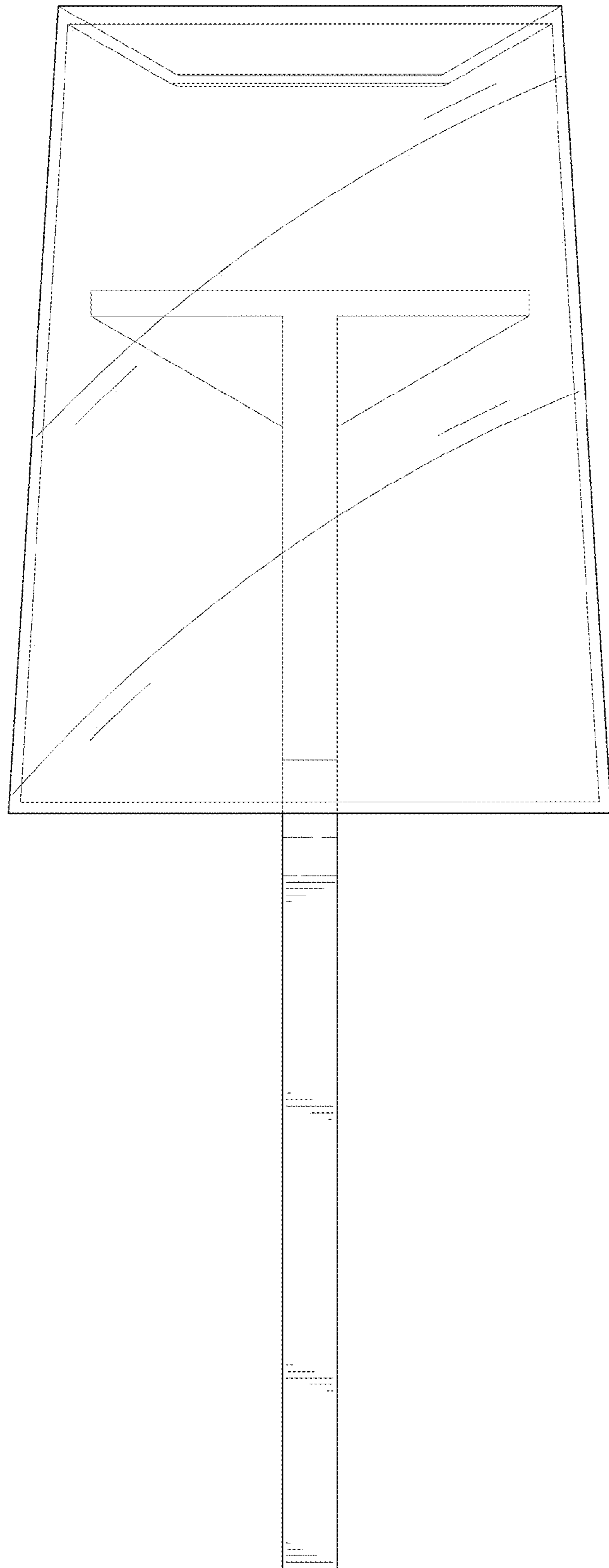


FIG. 5

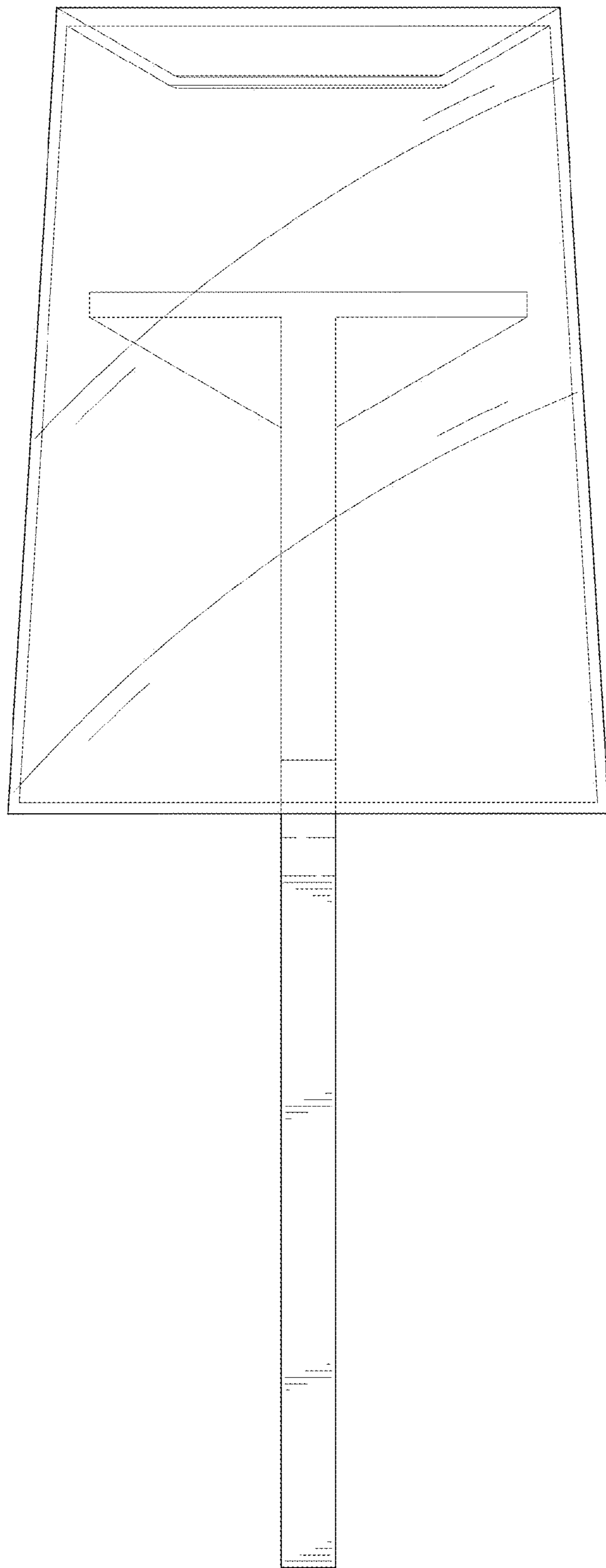


FIG. 6



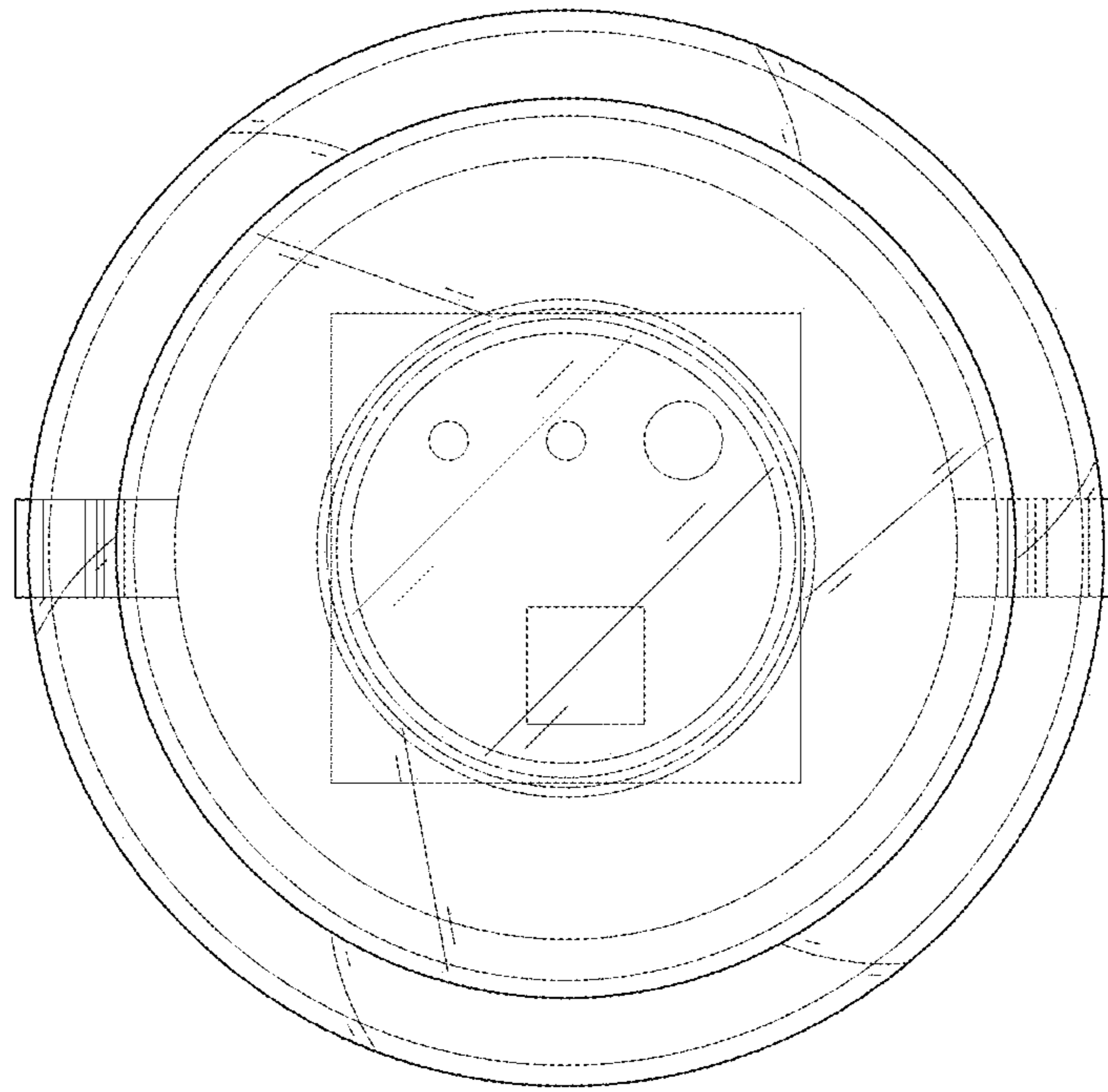


FIG. 7

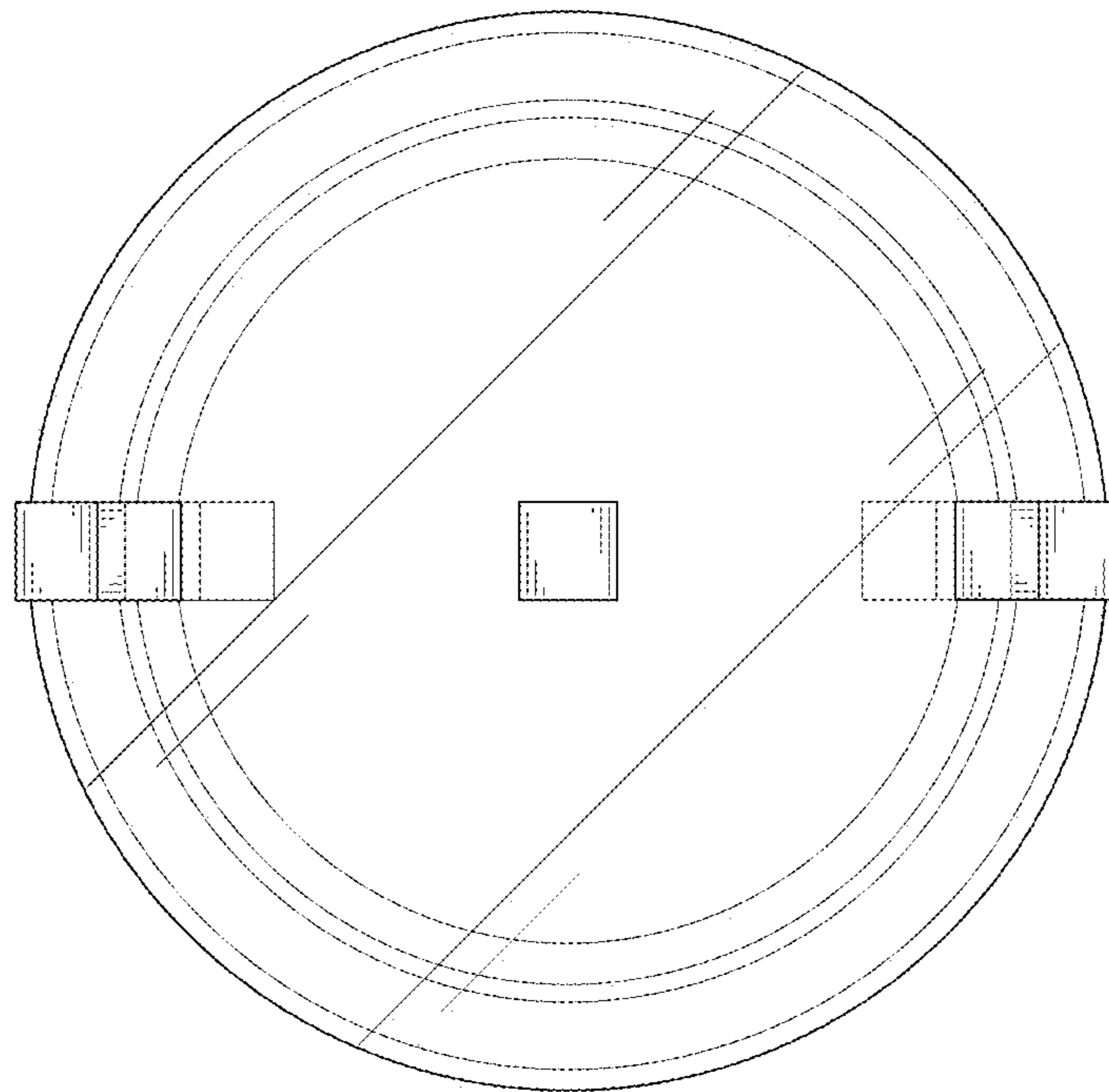


FIG. 8