



US00D984000S

(12) **United States Design Patent**
Schoen

(10) **Patent No.:** **US D984,000 S**

(45) **Date of Patent:** **** Apr. 18, 2023**

(54) **LADDER TRAY**

(71) Applicant: **David Schoen**, Roselle, IL (US)

(72) Inventor: **David Schoen**, Roselle, IL (US)

(**) Term: **15 Years**

(21) Appl. No.: **29/743,568**

(22) Filed: **Jul. 22, 2020**

(51) **LOC (14) Cl.** **25-04**

(52) **U.S. Cl.**
USPC **D25/68**

(58) **Field of Classification Search**
USPC D25/68; 220/570
CPC . E06C 7/14; E06C 7/143; E06C 7/183; E06C
7/188; B25H 3/06

See application file for complete search history.

(56) **References Cited**

U.S. PATENT DOCUMENTS

D363,995	S *	11/1995	Mollenhauer	D25/68
5,740,883	A	4/1998	Trank		
D404,502	S *	1/1999	Shanahan	D25/68
D434,856	S *	12/2000	Yahner	D25/68
6,443,260	B1	9/2002	Katz		
7,063,187	B1	6/2006	Lavigne		
D547,460	S *	7/2007	Asham	D25/68
D631,561	S *	1/2011	Luciano	D25/68
8,181,925	B1	5/2012	Miville		

D700,361	S *	2/2014	Green	D25/68
D735,354	S *	7/2015	Fadear	D25/68
9,714,541	B2	7/2017	Astor		
D833,643	S	11/2018	Foley		
D906,547	S *	12/2020	Loyer	D25/68
2005/0258002	A1	11/2005	Sabo		
2017/0089135	A1	3/2017	Heffernan		

FOREIGN PATENT DOCUMENTS

EP 3205811 8/2017

* cited by examiner

Primary Examiner — Gino Colan

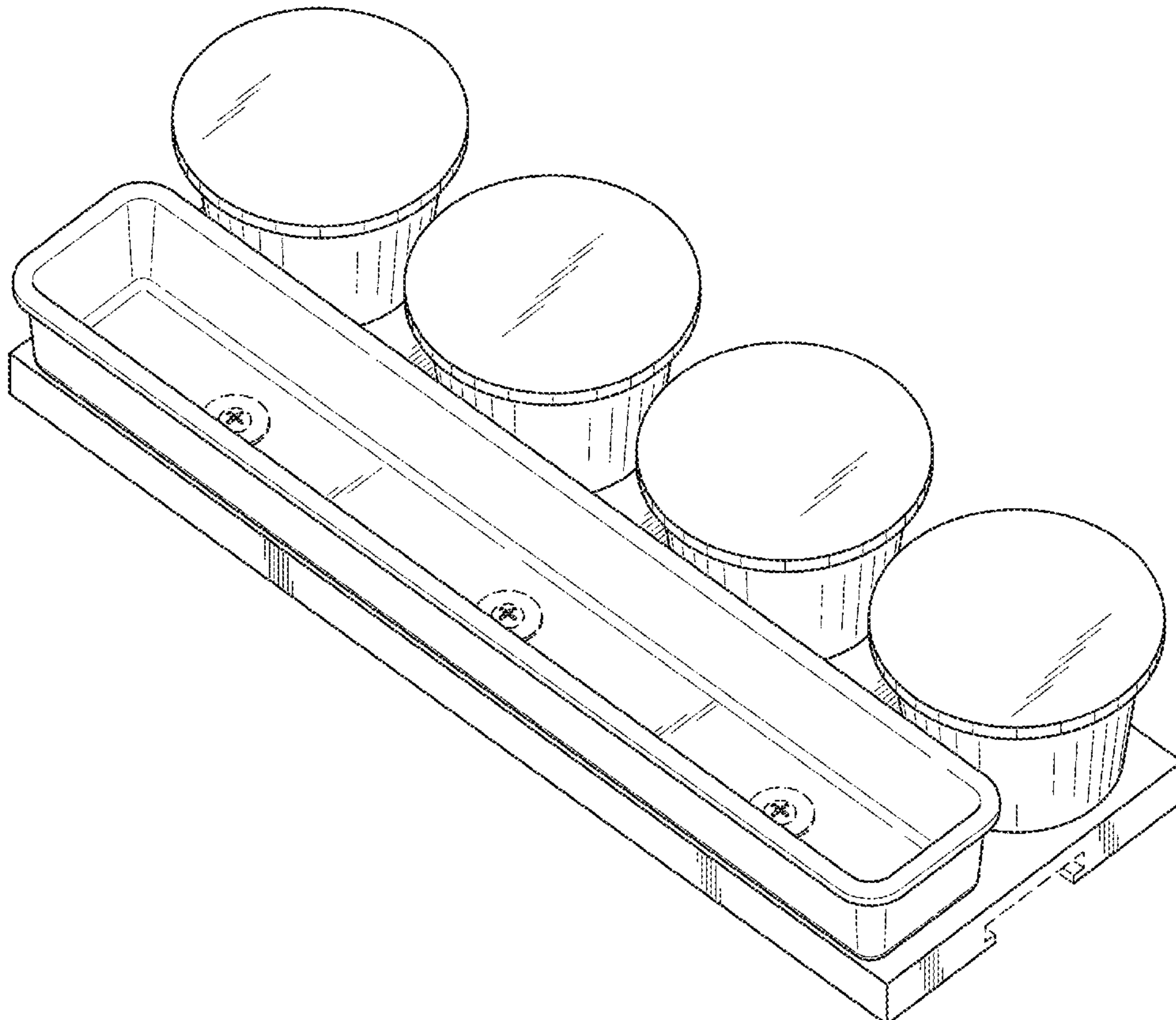
(57) **CLAIM**

The ornamental design for a ladder tray, as shown and described.

DESCRIPTION

FIG. 1 is a front view of a ladder tray showing my new design;
FIG. 2 is a rear view of the ladder tray;
FIG. 3 is a right side view of the ladder tray;
FIG. 4 is a left side view of the ladder tray;
FIG. 5 is a top view of the ladder tray;
FIG. 6 is a bottom view of the ladder tray; and,
FIG. 7 is a top rear side perspective view of the ladder tray.
The broken lines are illustrative of portions of the article forming no part of the claimed design.

1 Claim, 4 Drawing Sheets



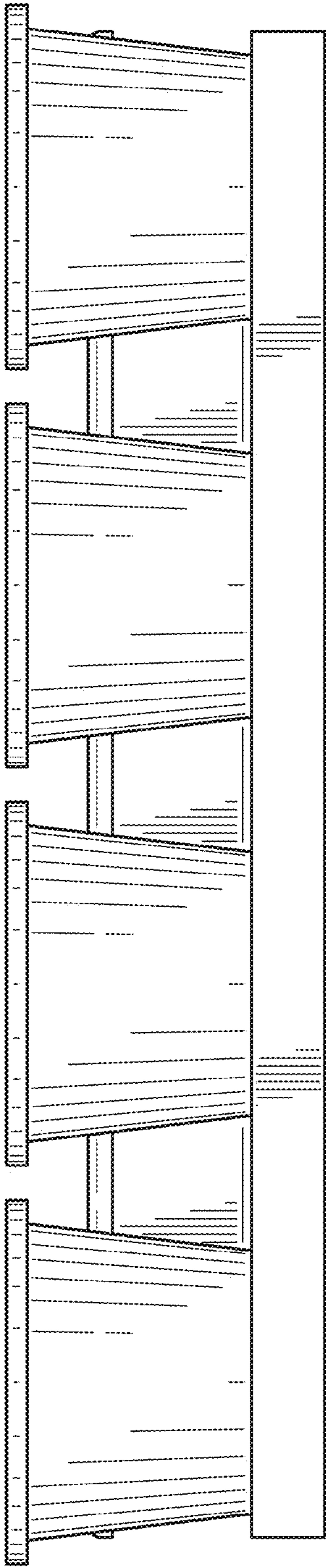


FIG. 1

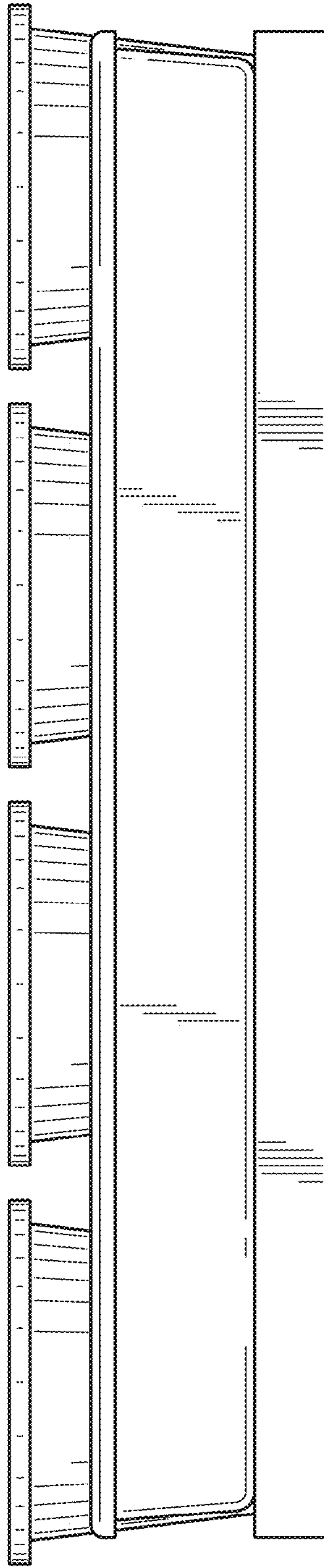


FIG. 2

FIG. 4

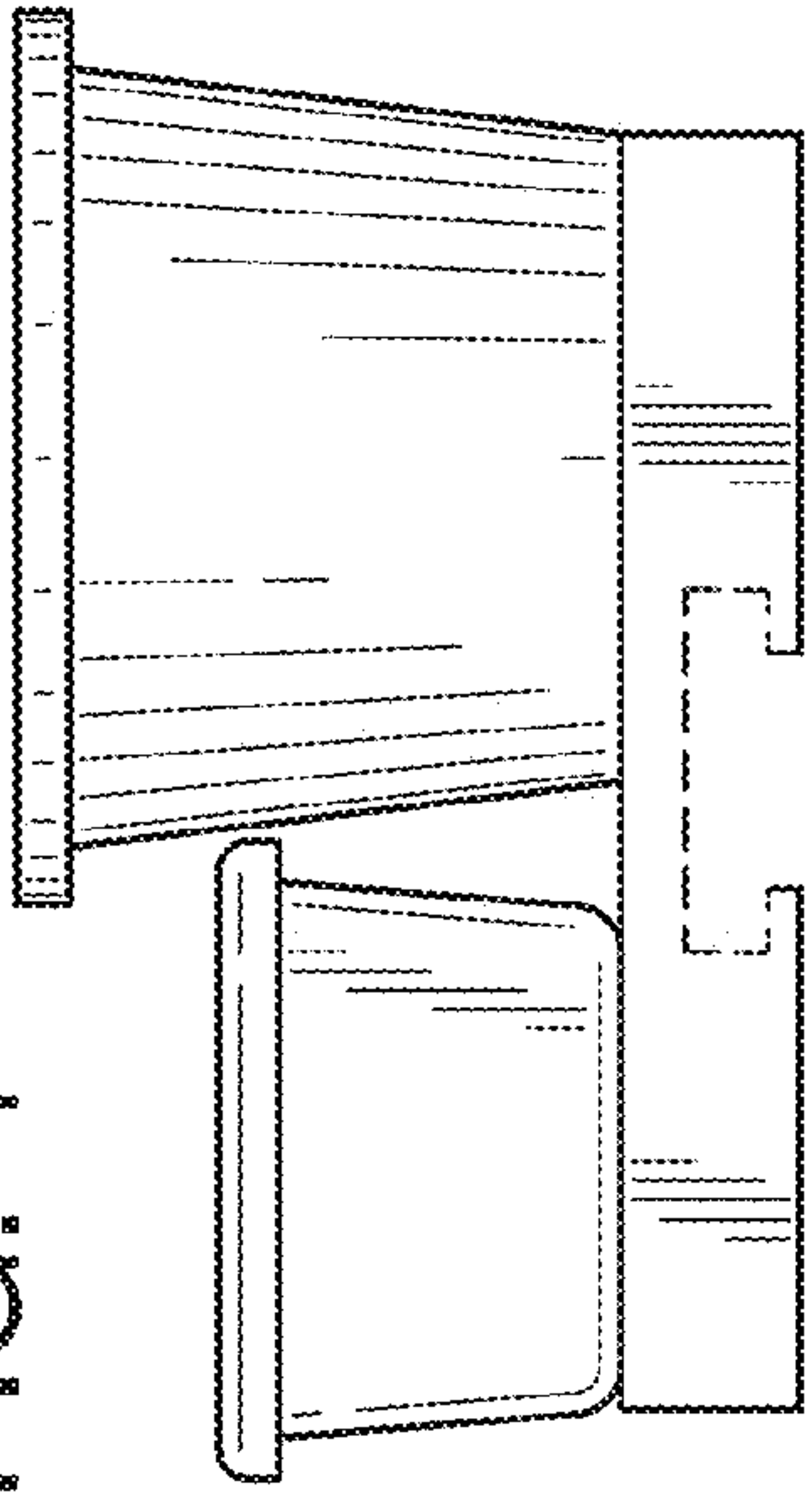


FIG. 3

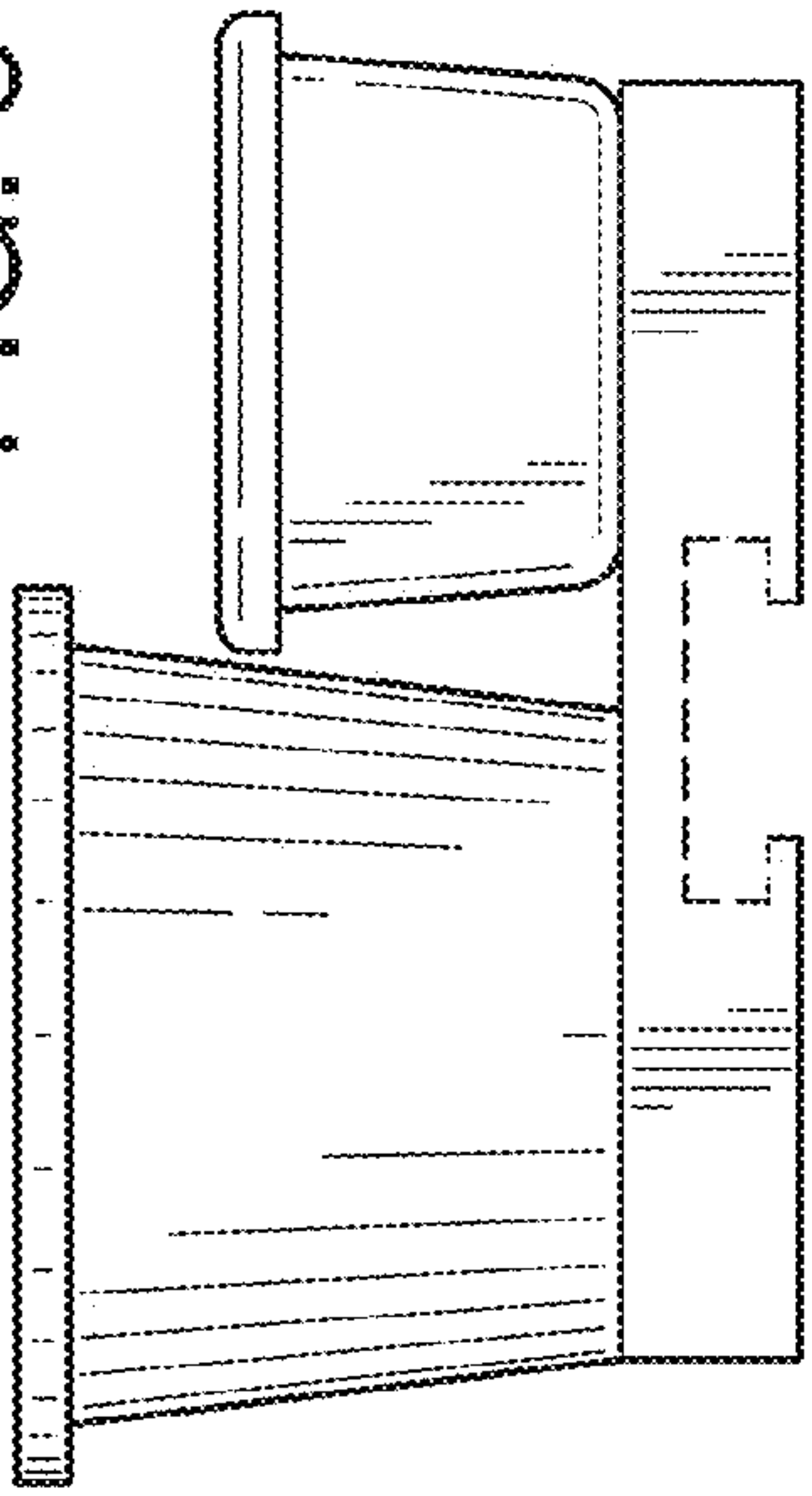
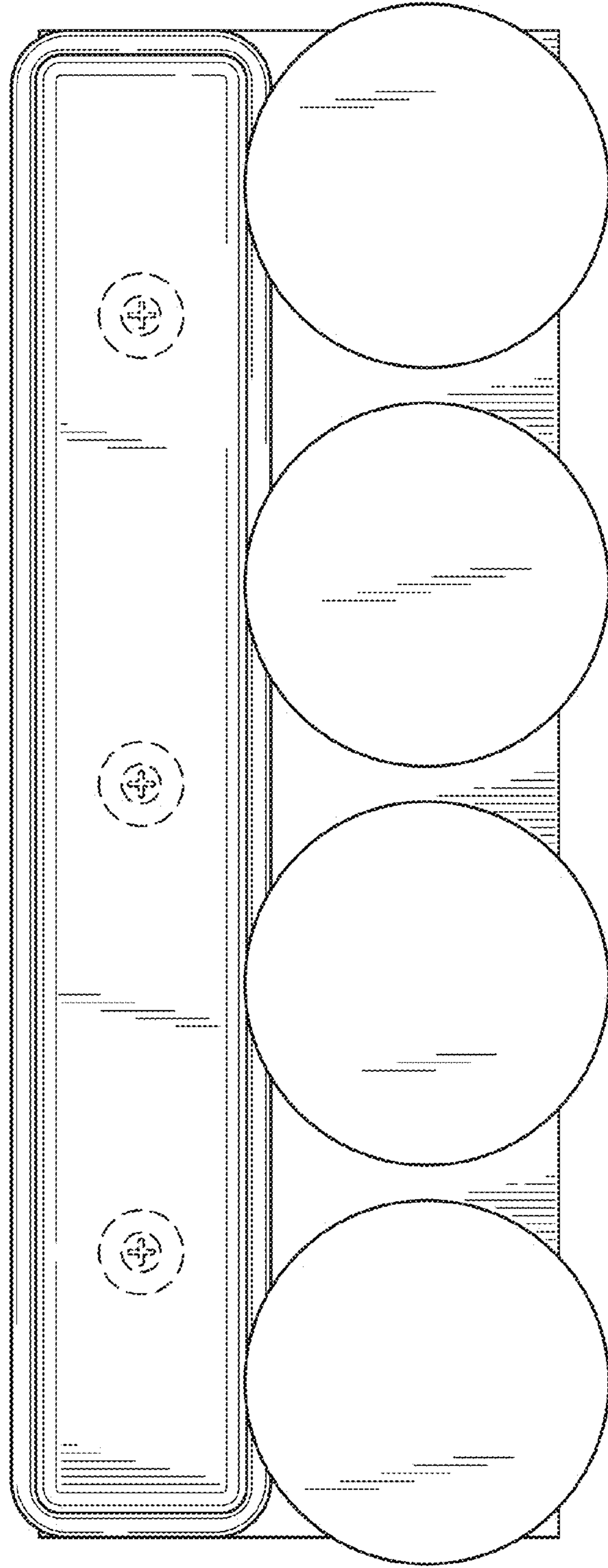


FIG. 5



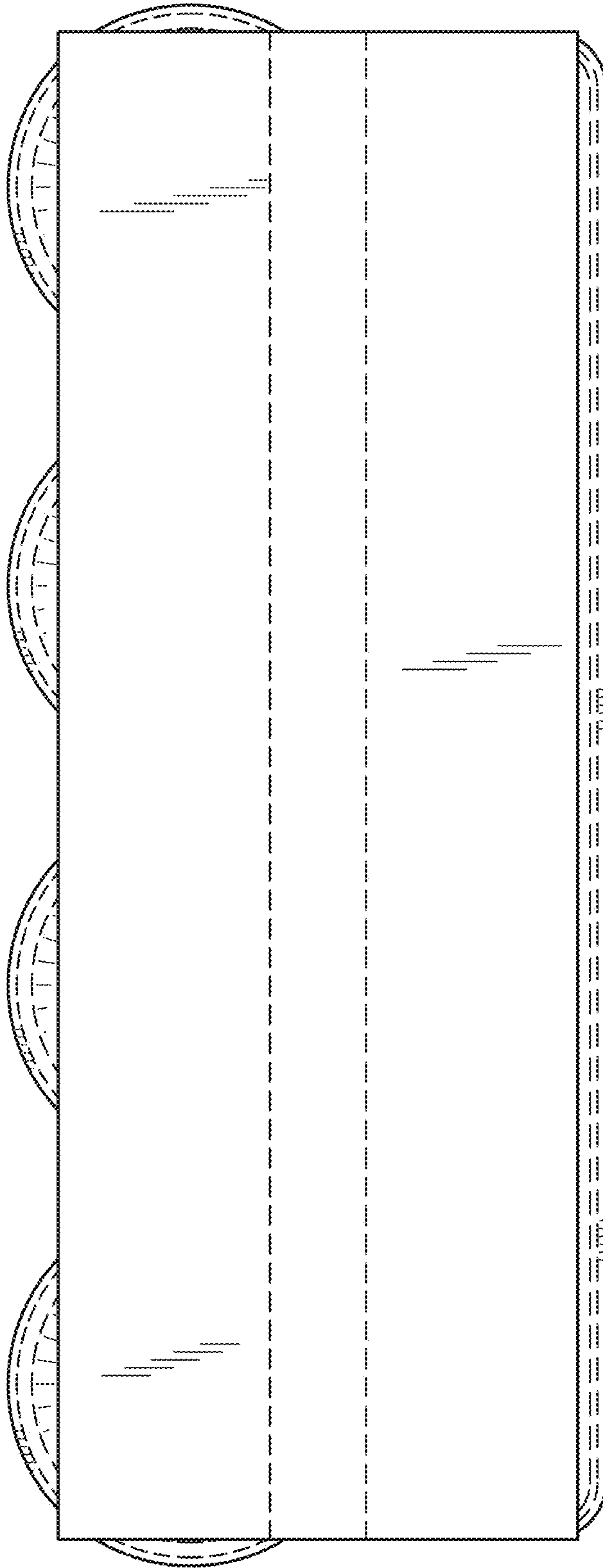


FIG. 6

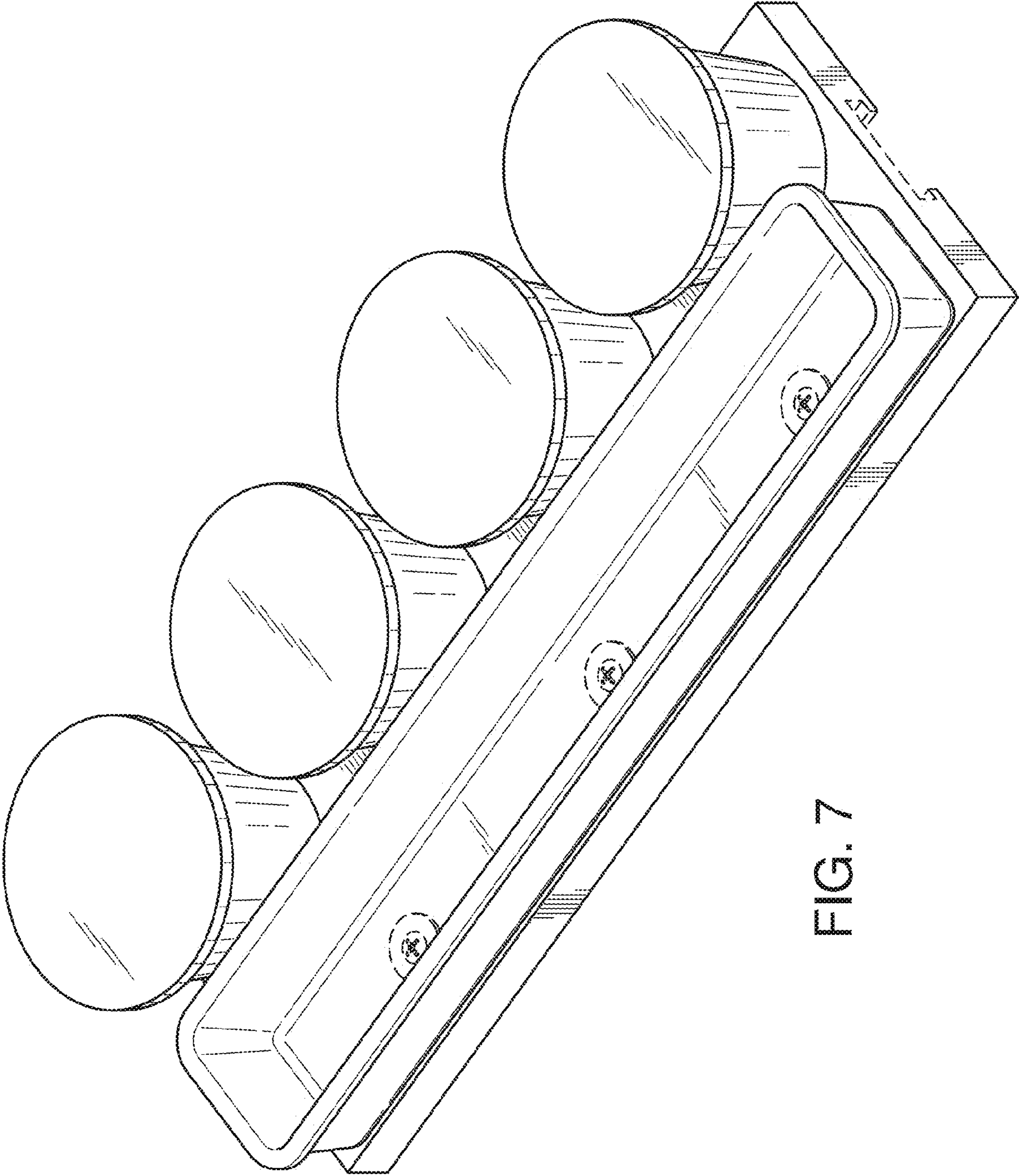


FIG. 7