



US00D983998S

(12) **United States Design Patent**
Zhang

(10) **Patent No.:** **US D983,998 S**

(45) **Date of Patent:** **** *Apr. 18, 2023**

(54) **FOLDING POOL**

(71) Applicant: **Tianxing Zhang**, Sichuan (CN)

(72) Inventor: **Tianxing Zhang**, Sichuan (CN)

(*) Notice: This patent is subject to a terminal disclaimer.

(**) Term: **15 Years**

(21) Appl. No.: **29/718,836**

(22) Filed: **Dec. 30, 2019**

(51) **LOC (14) Cl.** **25-03**

(52) **U.S. Cl.**
USPC **D25/2; D21/815**

(58) **Field of Classification Search**
USPC D25/2; D24/203-205; D21/815-816
CPC E04H 4/0018; E04H 4/0043; E04H
2004/0068; E04H 4/0025; E04H 4/0056
See application file for complete search history.

(56) **References Cited**

U.S. PATENT DOCUMENTS

D239,702 S *	4/1976	Bukaitz	D25/2
D408,546 S *	4/1999	Garreau	D25/2
D453,839 S *	2/2002	Rho	D25/2
D484,611 S *	12/2003	Bonnin	D25/2
D485,618 S *	1/2004	Bonnin	D25/2
D697,636 S *	1/2014	Paxton	D25/2
D753,318 S *	4/2016	Kweller	D25/2
D793,575 S *	8/2017	Lin	D24/204
D835,806 S *	12/2018	Huang	D25/2
D874,021 S *	1/2020	Huang	D25/2

2015/0167336 A1*	6/2015	Leung	E04H 4/14 156/253
2017/0356206 A1*	12/2017	Huang	E04H 4/0056
2020/0332544 A1*	10/2020	Huang	E04H 4/0056

FOREIGN PATENT DOCUMENTS

CN 303359452 * 9/2015

OTHER PUBLICATIONS

Bling Kiddie Pool, Jun. 17, 2020, Amazon, <https://www.amazon.com/WateBom-Glitter-Inflatable-Swimming-Durable/dp/B08BC7MS2J> (Year: 2020).*
PinkCosmoCrafts, Coleman Pool Review, Jun. 8, 2018, Youtube, <https://www.youtube.com/watch?v=U5nQPWLy9oY> (Year: 2018).*

* cited by examiner

Primary Examiner — Brett Miller

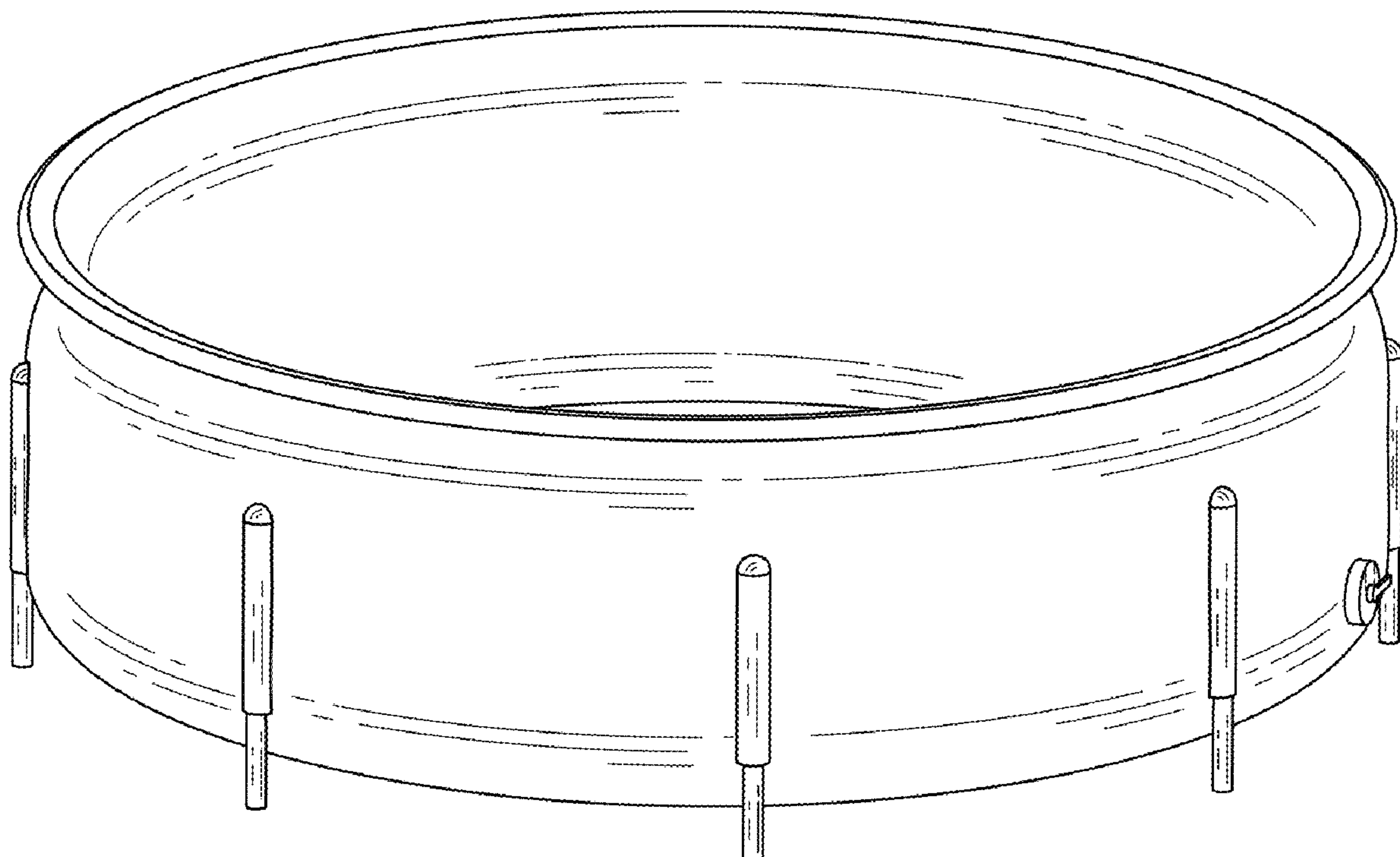
(57) **CLAIM**

The ornamental design for a folding pool, as shown and described.

DESCRIPTION

FIG. 1 is a perspective view of a folding pool showing my new design;
FIG. 2 is a front elevational view thereof;
FIG. 3 is a rear elevational view thereof;
FIG. 4 is a left side elevational view thereof;
FIG. 5 is a right side elevational view thereof;
FIG. 6 is a top plan view thereof; and,
FIG. 7 is a bottom plan view thereof.

1 Claim, 7 Drawing Sheets



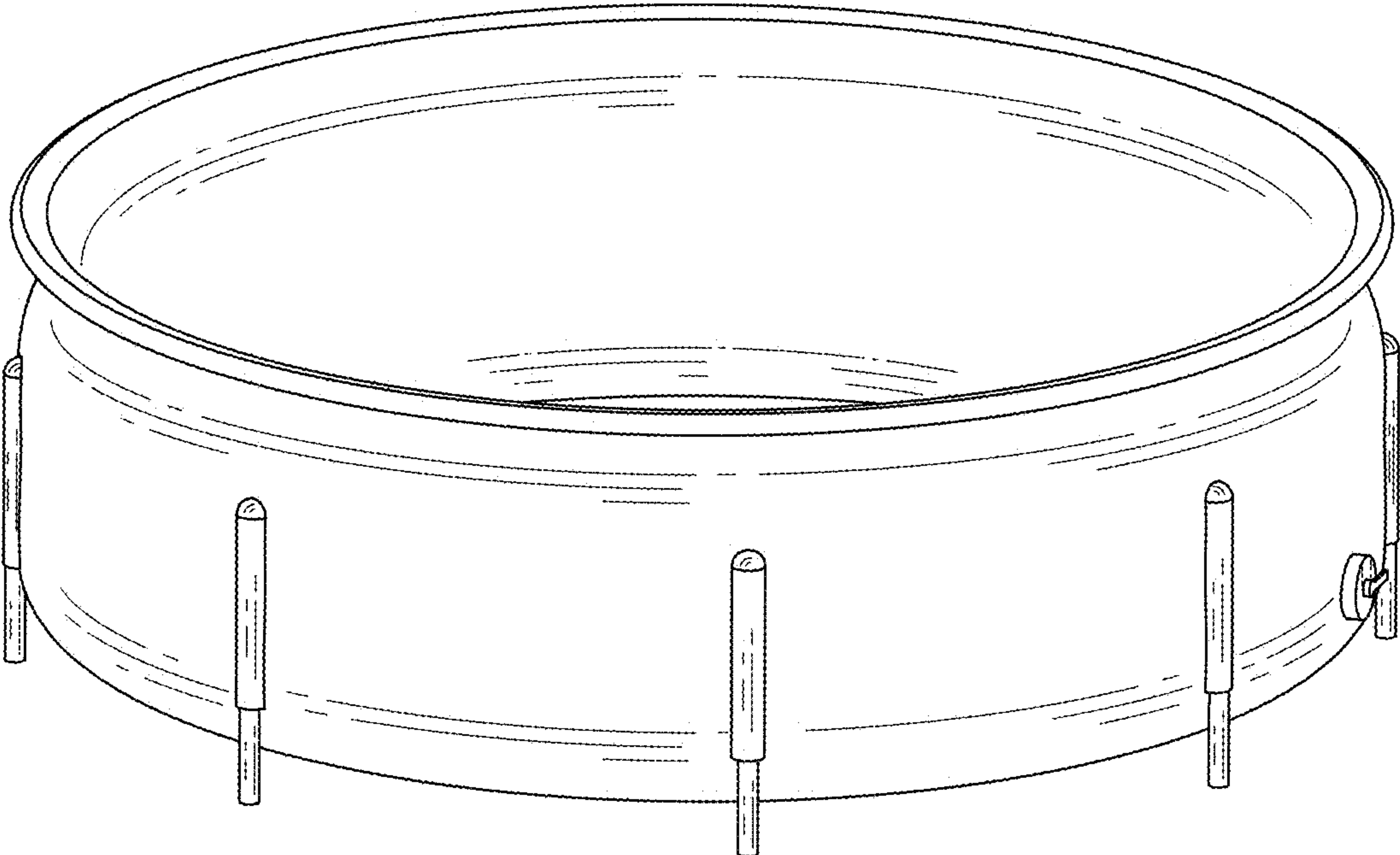


FIG.1

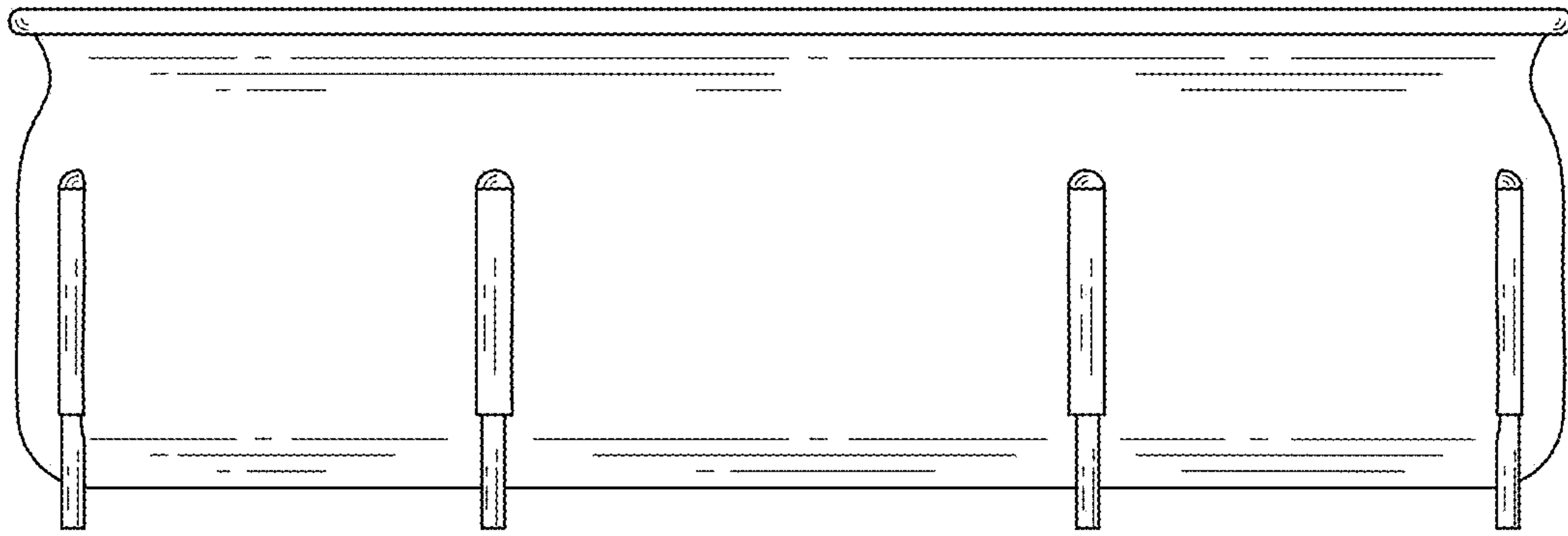


FIG.2

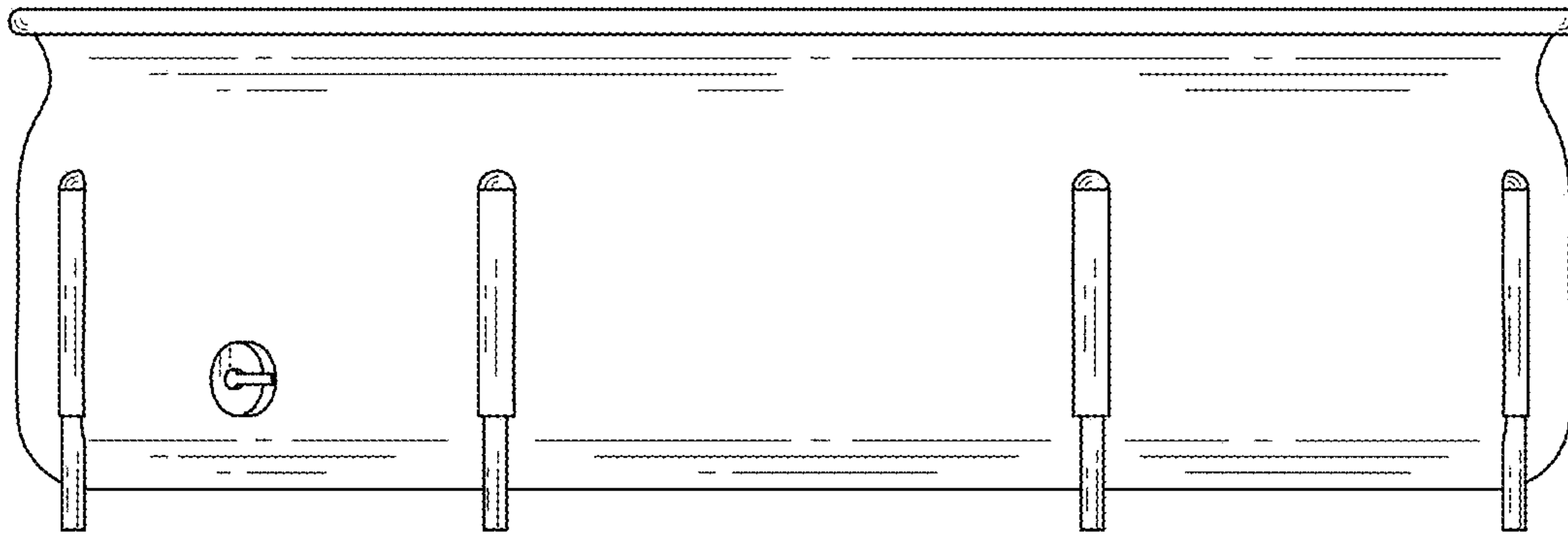


FIG.3

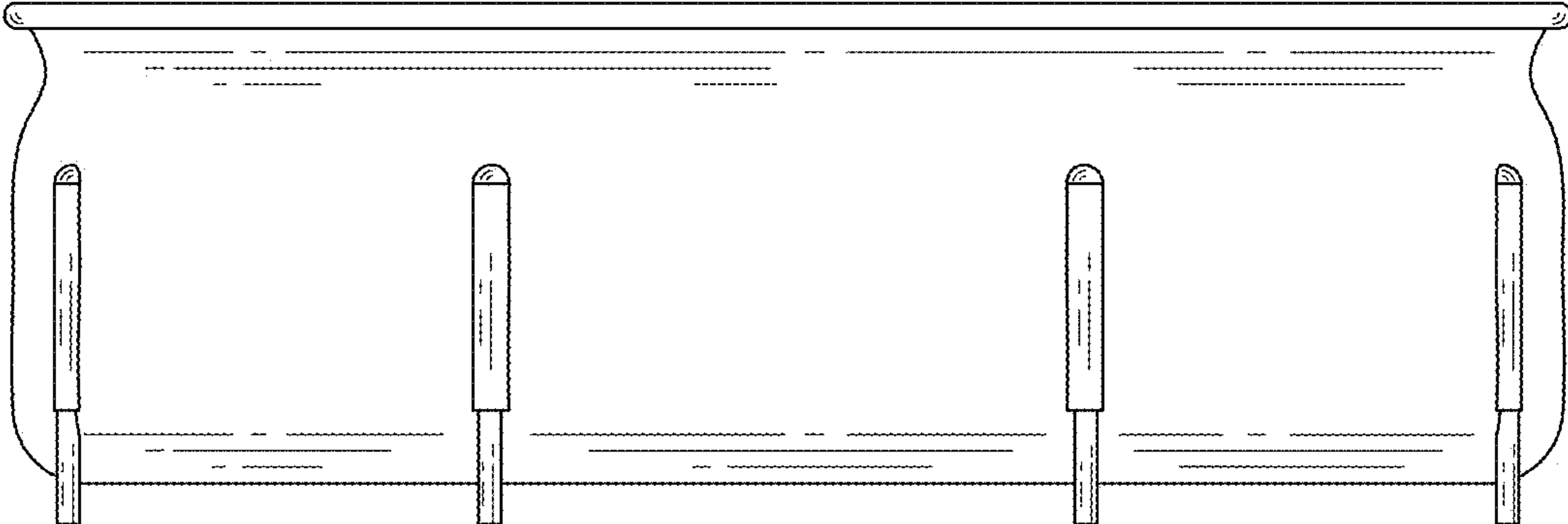


FIG.4

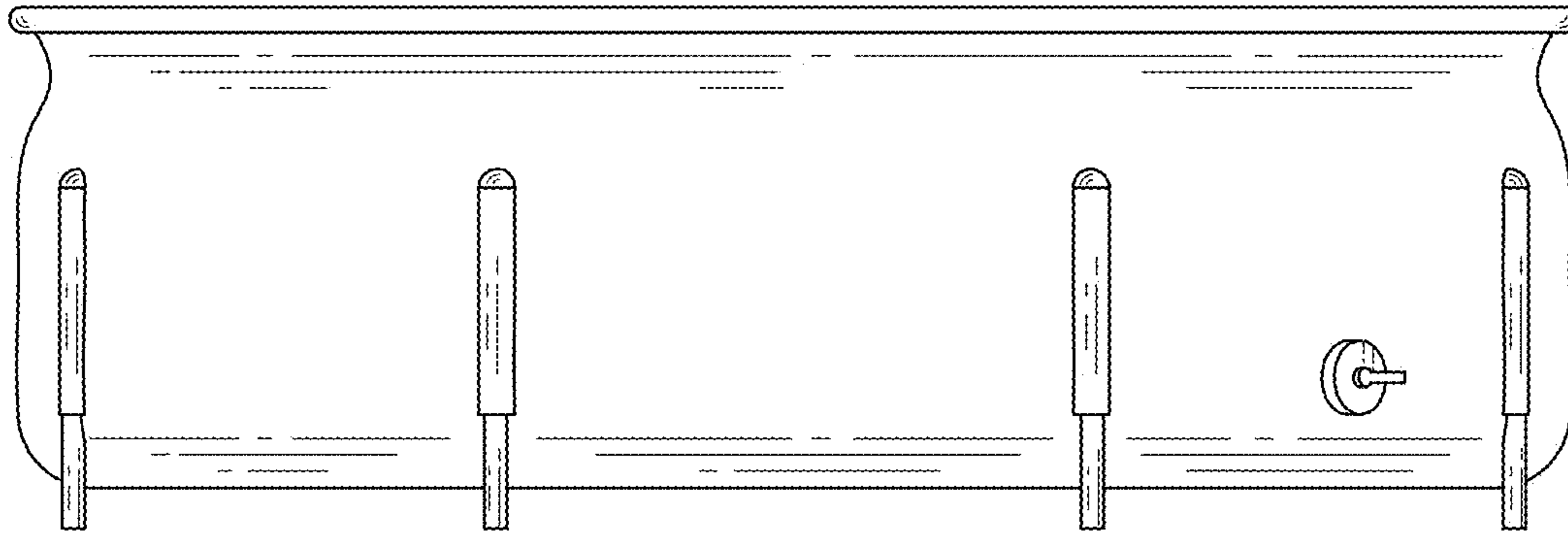


FIG.5

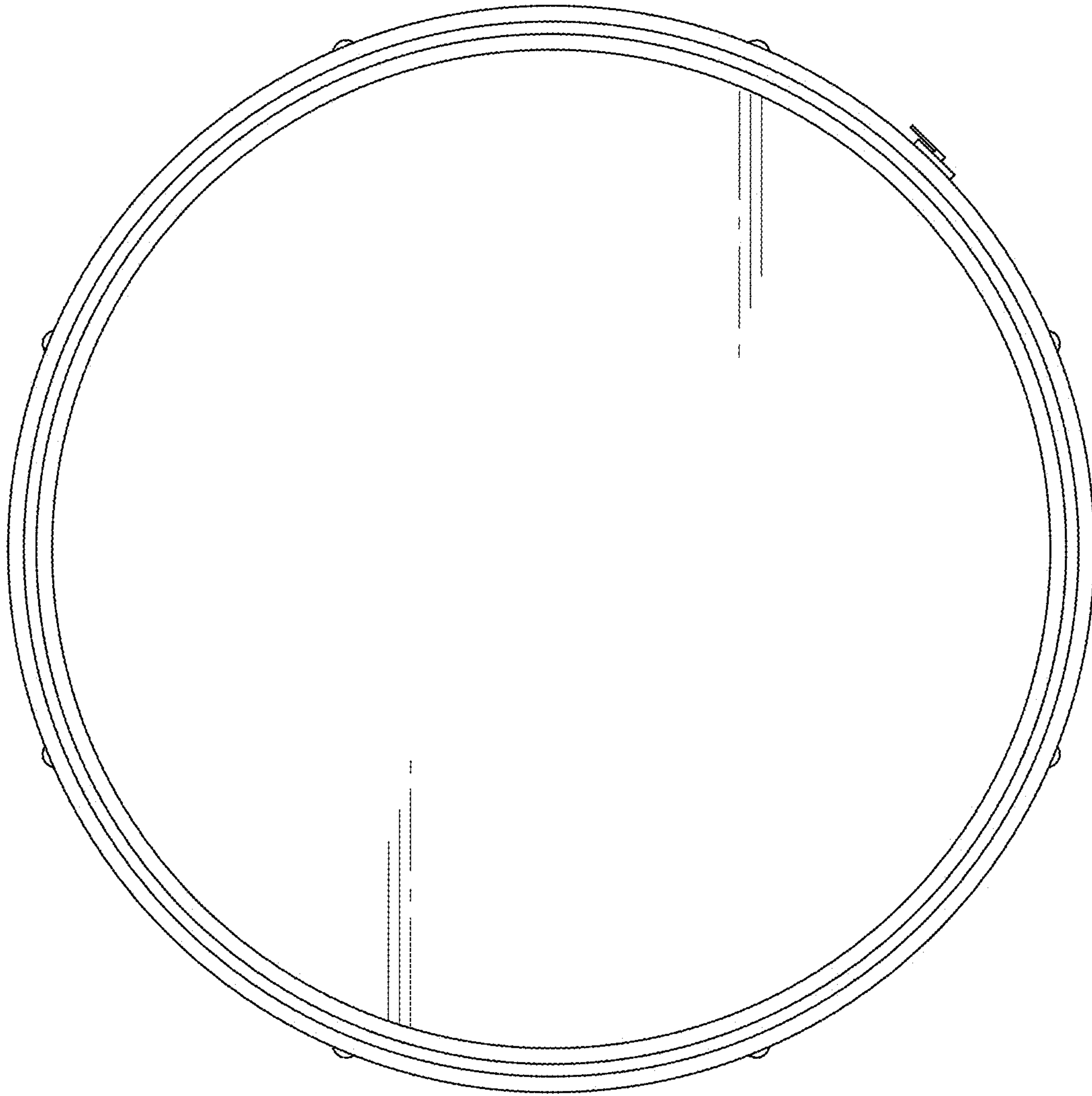


FIG.6

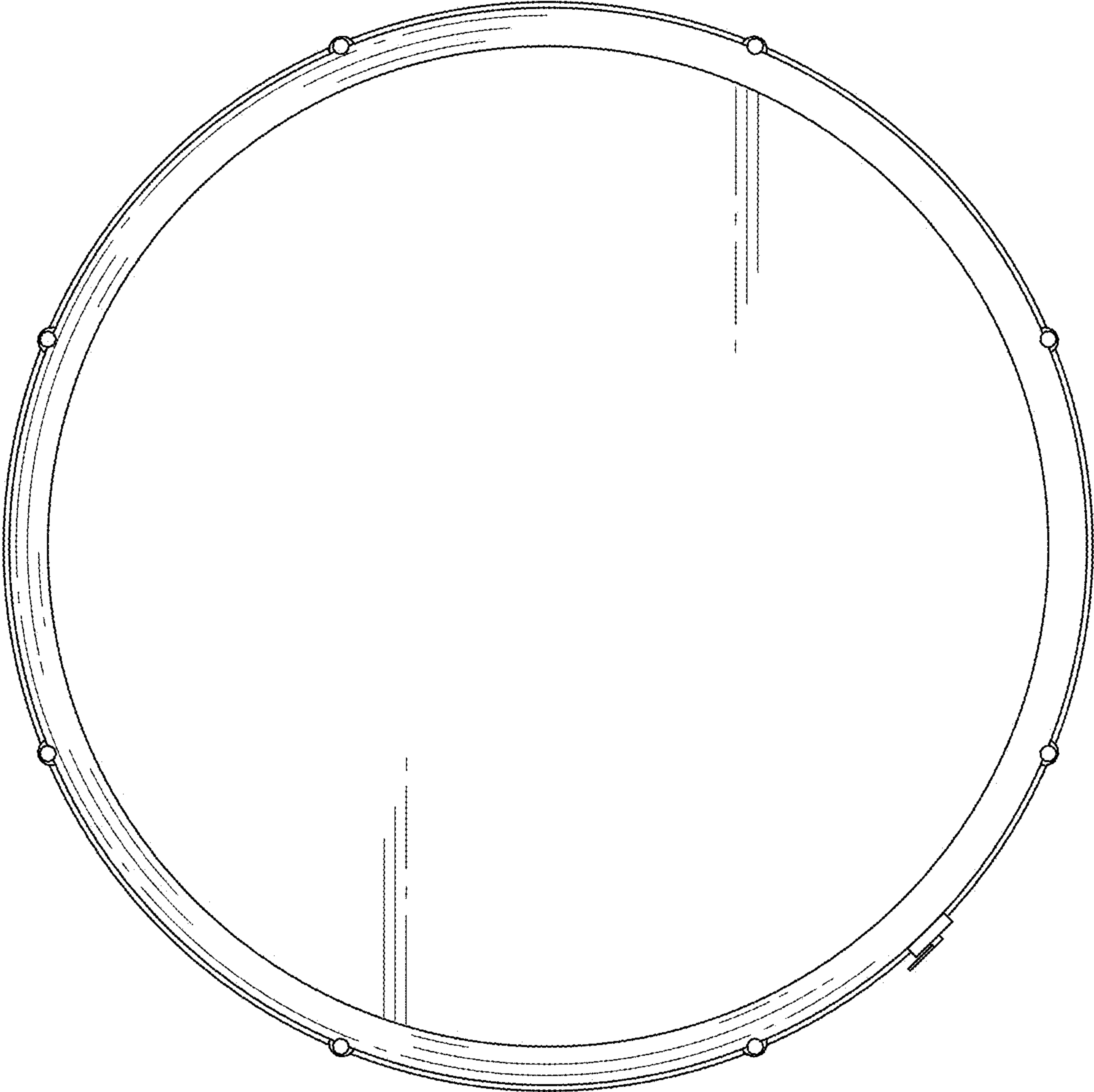


FIG.7