



US00D983997S

(12) **United States Design Patent**  
**Dadachanji et al.**

(10) **Patent No.:** **US D983,997 S**  
(45) **Date of Patent:** **\*\* Apr. 18, 2023**

(54) **TRAY FOR A VIAL AND VIAL ADAPTER**

FOREIGN PATENT DOCUMENTS

(71) Applicant: **KAIRISH INNOTECH Private Ltd.**,  
Mumbai (IN)

CH 139353-0001 12/2012  
EM 002389718-0001 1/2014

(Continued)

(72) Inventors: **Rishad Kairus Dadachanji**, Mumbai  
(IN); **Pratul Prakash Potdar**, Daman  
and Diu (IN); **Keyurkumar**  
**Arvindbhai Patel**, Daman and Diu  
(IN); **Krupal Ashokbhai Chudasma**,  
Gujarat (IN)

OTHER PUBLICATIONS

Air Medical Pin IV Infusion Mini Non Vented Spike Valves Vial  
Adapter With Filter. Online, published date unknown. Retrieved on  
Nov. 23, 2022 from URL: [https://www.alibaba.com/product-detail/  
Air-Medical-Pin-IV-Infusion-Mini\\_62002602020.html](https://www.alibaba.com/product-detail/Air-Medical-Pin-IV-Infusion-Mini_62002602020.html).\*

(73) Assignee: **KAIRISH INNOTECH PRIVATE**  
**LIMITED**, Mumbai (IN)

*Primary Examiner* — Omeed Agilee

(74) *Attorney, Agent, or Firm* — Renner, Otto, Boisselle  
& Sklar, LLP

(\*\*) Term: **15 Years**

(21) Appl. No.: **29/800,606**

(57) **CLAIM**

The ornamental design for a tray for a vial and vial adapter,  
as shown and described.

(22) Filed: **Jul. 22, 2021**

(51) **LOC (14) Cl.** ..... **24-02**

(52) **U.S. Cl.**

USPC ..... **D24/227**

(58) **Field of Classification Search**

USPC ..... D24/127, 128, 156, 216, 222–230;  
D3/304, 307, 308, 314, 315; D7/354,  
D7/361, 500, 550.1, 554.3, 587, 602

CPC ..... A61B 5/150343; A61B 50/36; A61B  
2050/3011; A61B 10/0045; A61B  
10/0038; A61B 10/02; B01D 9/00; B01L  
3/06; B01L

(Continued)

**DESCRIPTION**

FIG. 1 is a top, right, rear perspective view of a tray for a vial  
and vial adapter showing our new design;  
FIG. 2 is a top plan view thereof;  
FIG. 3 is a bottom, left, rear perspective view thereof;  
FIG. 4 is a bottom plan view thereof;  
FIG. 5 is a right side elevation view thereof, the left side  
view being a mirror image thereof;  
FIG. 6 is a front elevation view thereof;  
FIG. 7 is a rear elevation view thereof;  
FIG. 8 is a top, right, rear perspective view thereof, wherein  
the tray for a vial and vial adapter contains an exemplary vial  
and vial adapter in an unassembled configuration; and,  
FIG. 9 is a top, right, rear perspective view thereof, wherein  
the tray for a vial and vial adapter contains an exemplary vial  
and vial adapter in an assembled configuration.  
The broken line showing in FIGS. 8 and 9 is for the purpose  
of illustrating environmental structure and forms no part of  
the claimed design.

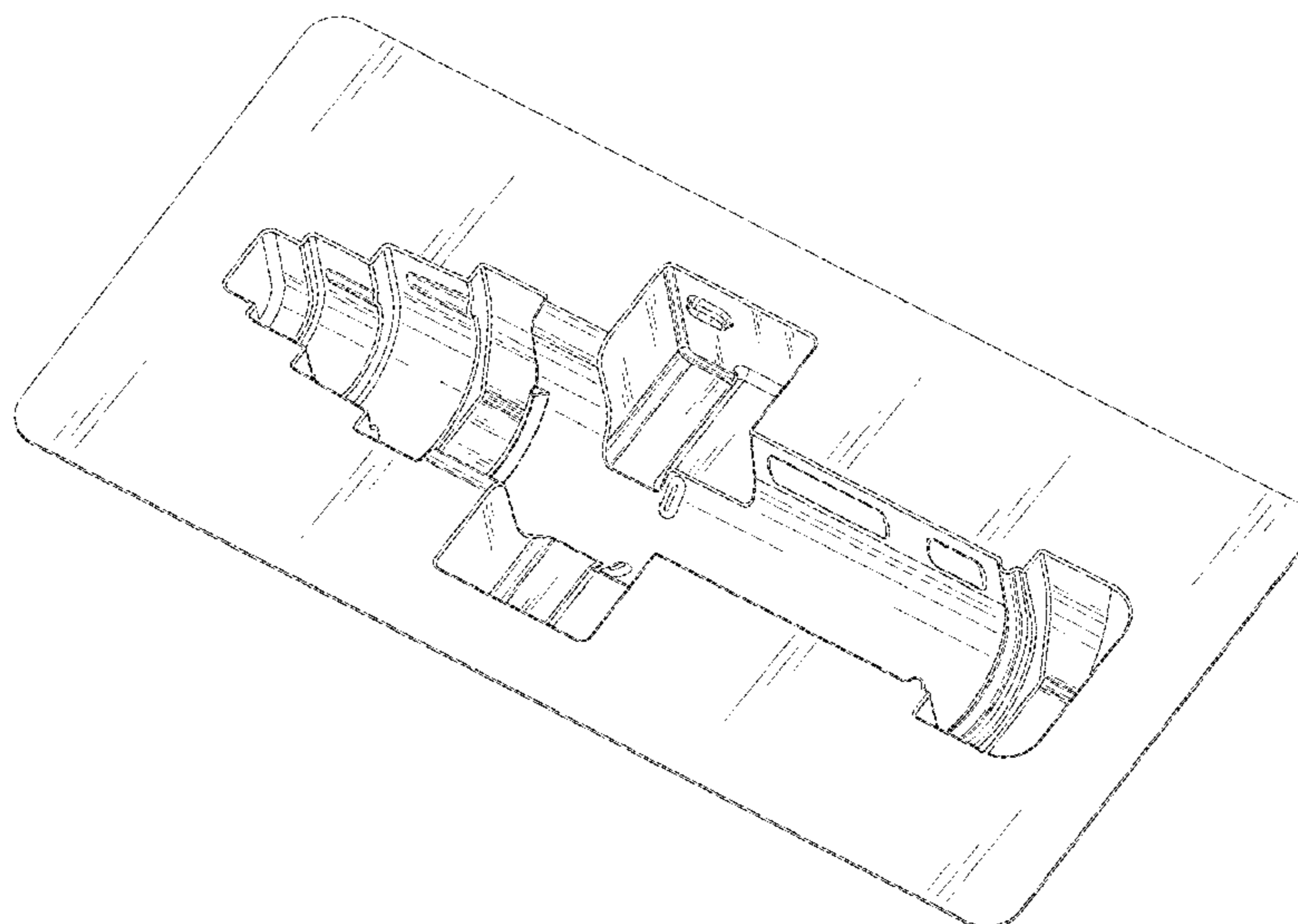
(56) **References Cited**

U.S. PATENT DOCUMENTS

1,435,622 A \* 11/1922 Price ..... B65D 35/285  
222/93  
5,013,155 A \* 5/1991 Rybak ..... G01N 21/03  
356/414  
D339,983 S \* 10/1993 Breton ..... D9/456

(Continued)

**1 Claim, 9 Drawing Sheets**



# US D983,997 S

Page 2

(58) **Field of Classification Search**  
CPC ..... 3/502; B01L 3/5025; B01L 3/5082; B01L  
3/5085; B65D 83/10; B65D 69/00  
See application file for complete search history.

D788,937 S 6/2017 Schill et al.  
10,350,141 B2 7/2019 Metz  
D895,145 S 9/2020 Smith et al.  
D905,235 S \* 12/2020 Mottola ..... D24/129  
D918,032 S 5/2021 Smith et al.  
2021/0228122 A1\* 7/2021 Wilkinson ..... A61M 5/002  
2021/0379596 A1\* 12/2021 Peechatka ..... B01L 9/06

(56) **References Cited**

## U.S. PATENT DOCUMENTS

5,390,792 A 2/1995 Van Ness et al.  
6,006,798 A 12/1999 Lindquist  
6,010,663 A \* 1/2000 Bachand ..... G01N 33/558  
422/417  
6,729,370 B2 5/2004 Norton et al.  
6,915,901 B2 7/2005 Feinberg et al.  
D598,538 S 8/2009 Yeakley  
D608,015 S \* 1/2010 Sandel ..... D24/227  
D627,645 S \* 11/2010 Ma ..... D9/456  
8,360,114 B2 1/2013 Clark  
D723,180 S \* 2/2015 Klein ..... D24/216  
9,381,311 B2 7/2016 Holakovsky et al.  
D788,936 S 6/2017 Schill et al.

## FOREIGN PATENT DOCUMENTS

EM 006376182-0001 4/2019  
EM 006376182-0002 4/2019  
EM 006376182-0003 4/2019  
EM 006376182-0004 4/2019  
EM 006523825-0003 5/2019  
EM 006523825-0004 5/2019  
IN 346307-001 \* 5/2022  
JP 6014868 B2 10/2016  
KR 300745291 5/2014  
KR 300746691 6/2014  
KR 301033636 11/2019

\* cited by examiner

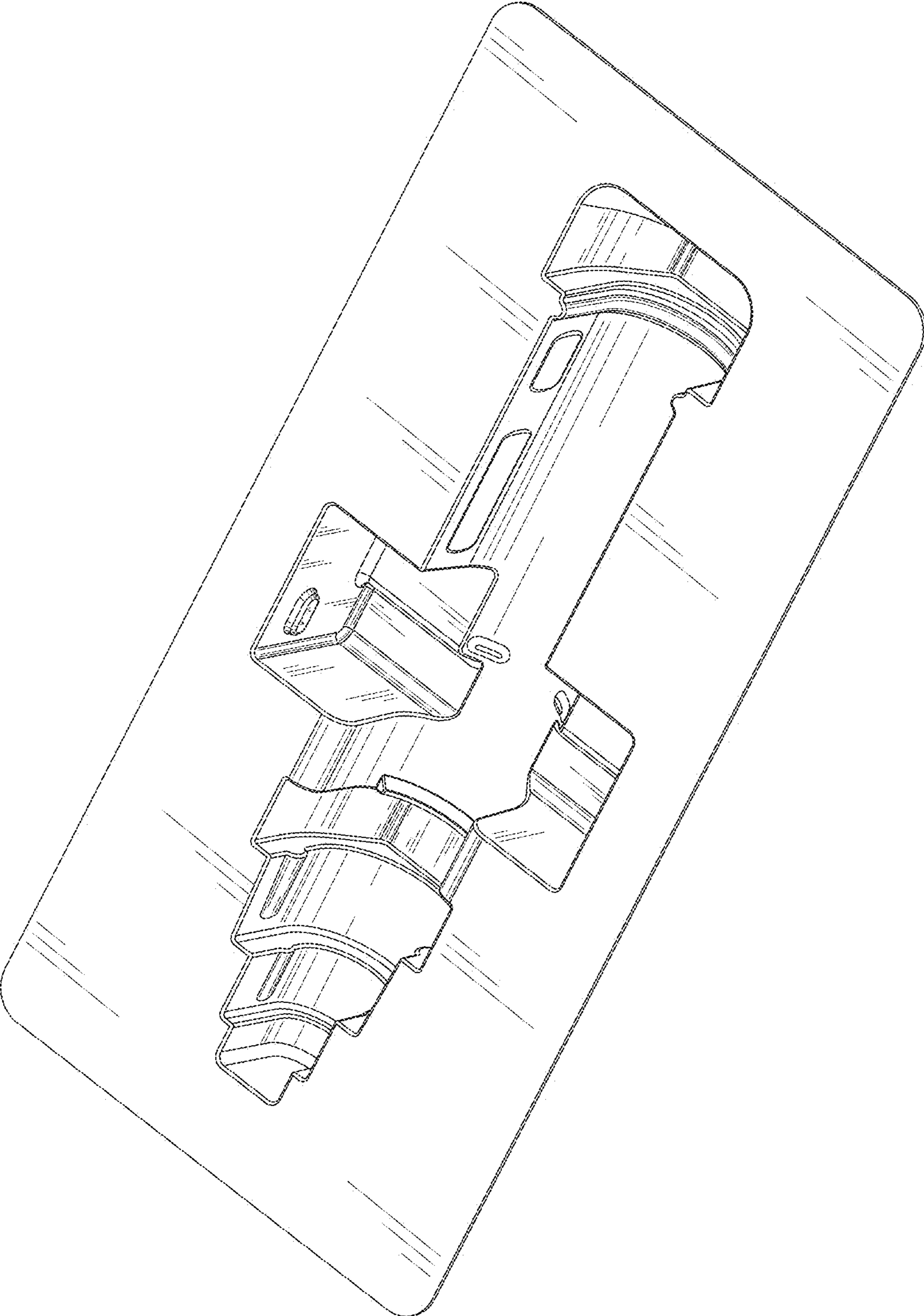


Fig. 1

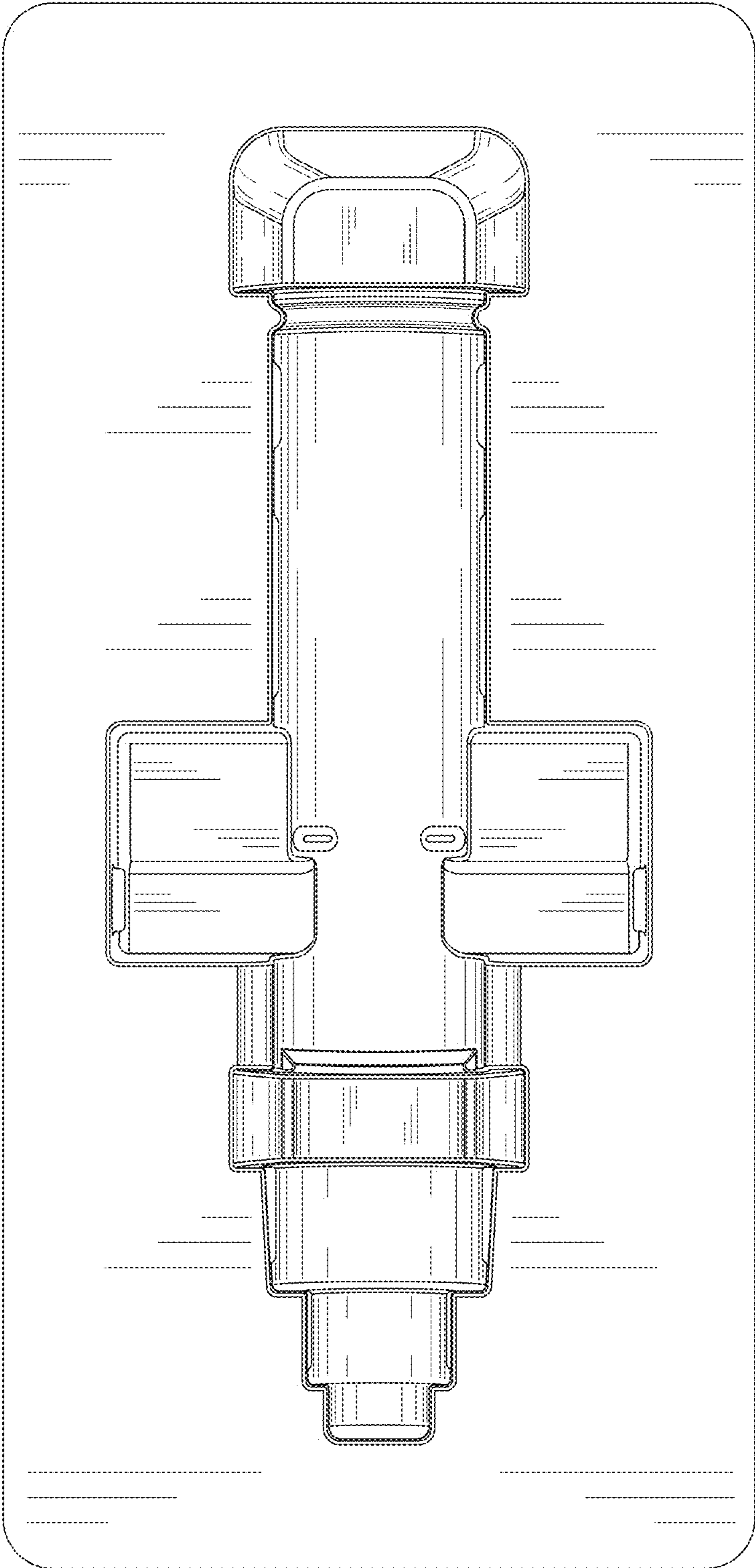


Fig. 2

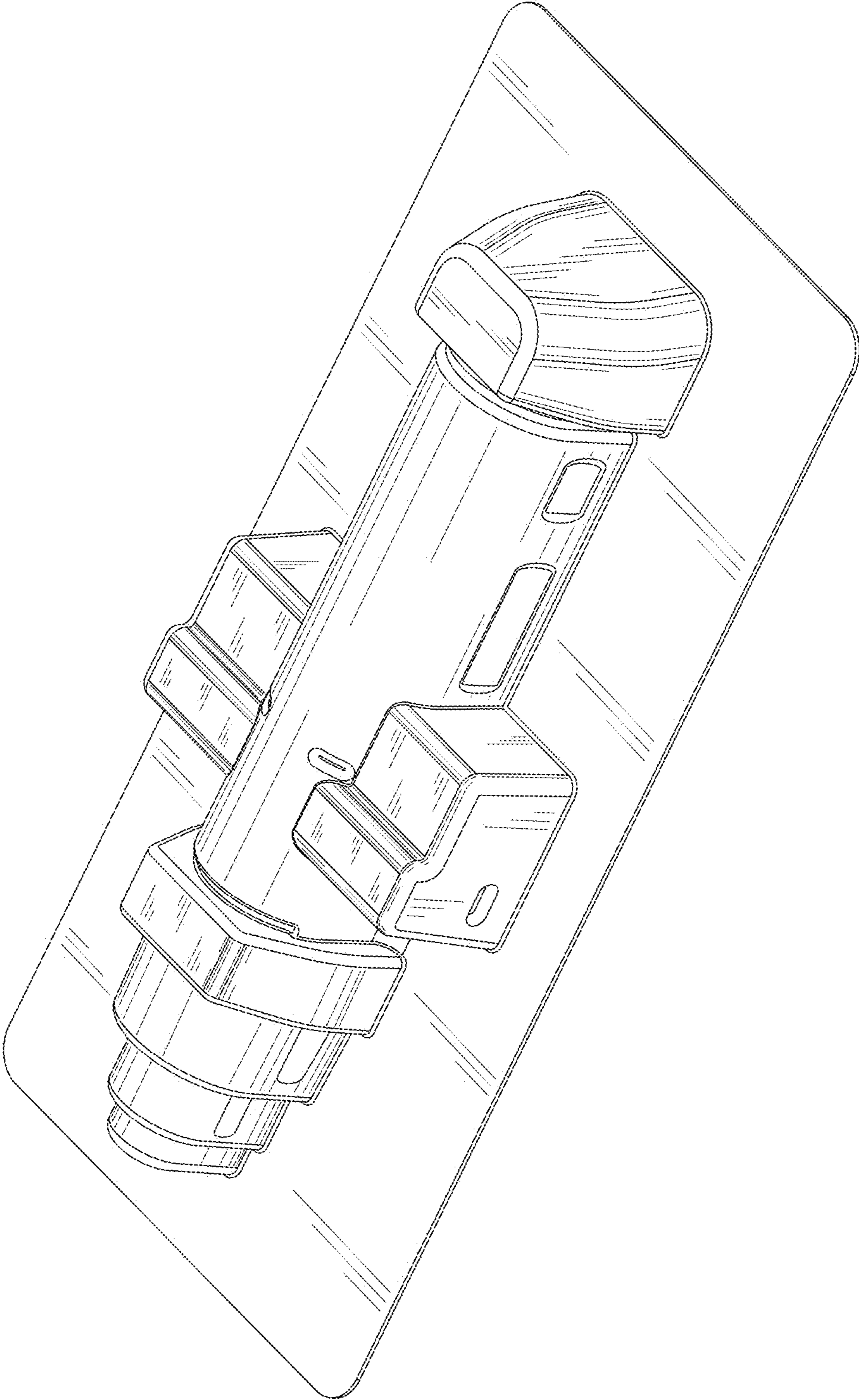


Fig. 3

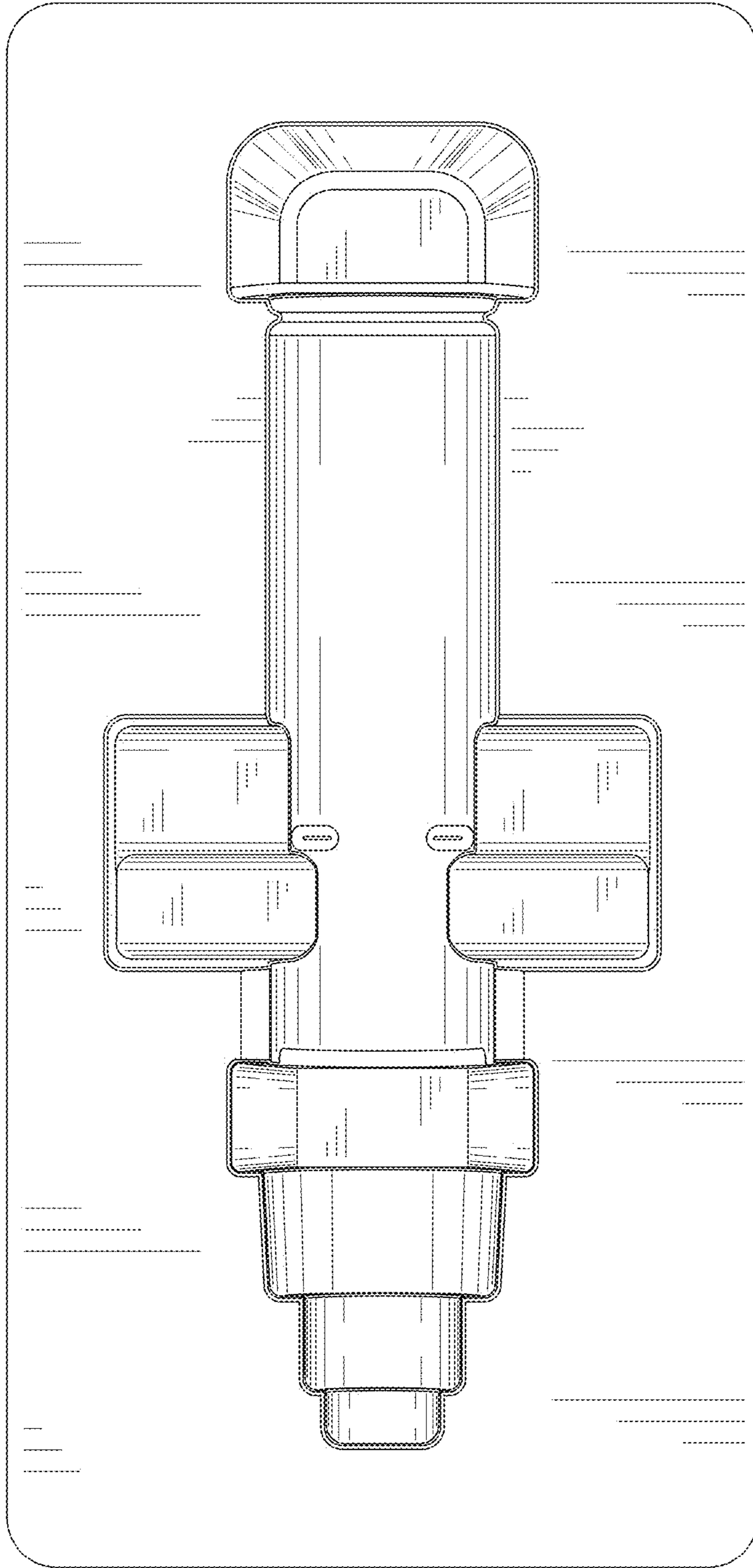


Fig. 4

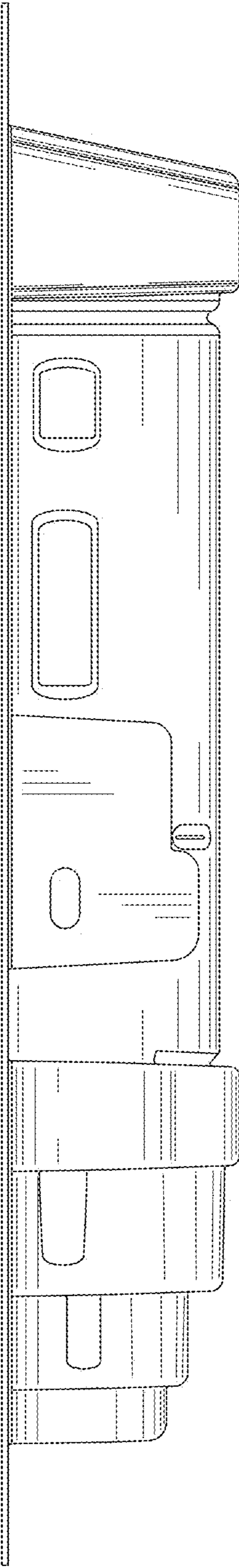


Fig. 5

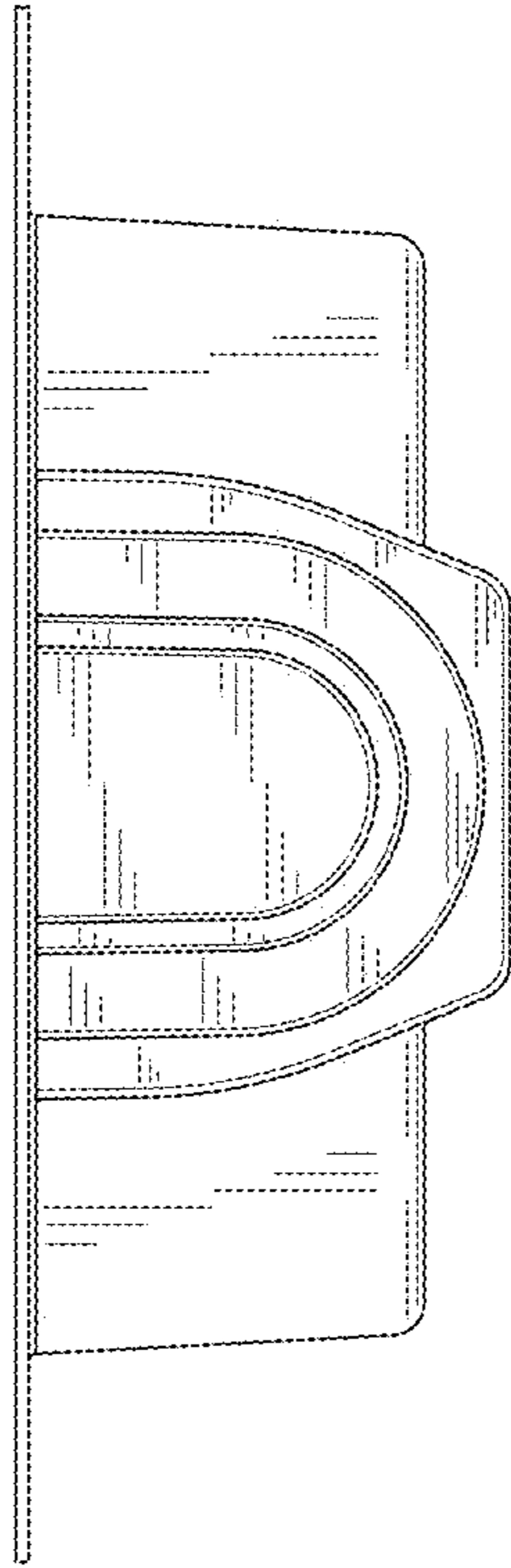


Fig. 6



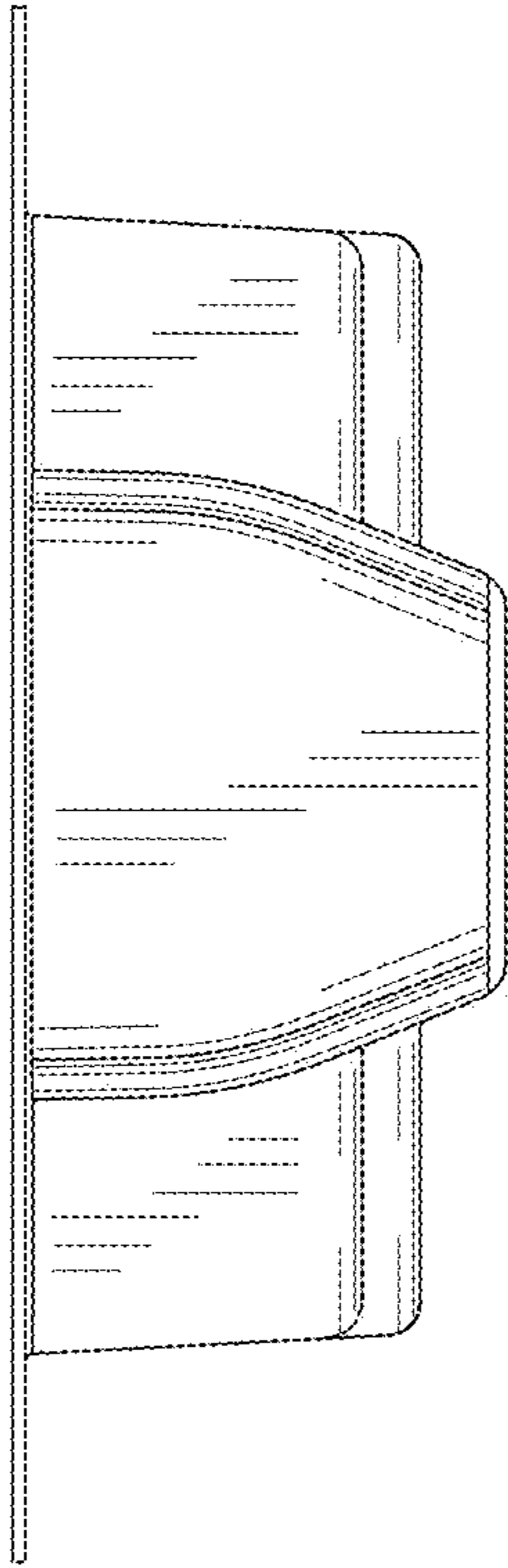


Fig. 7

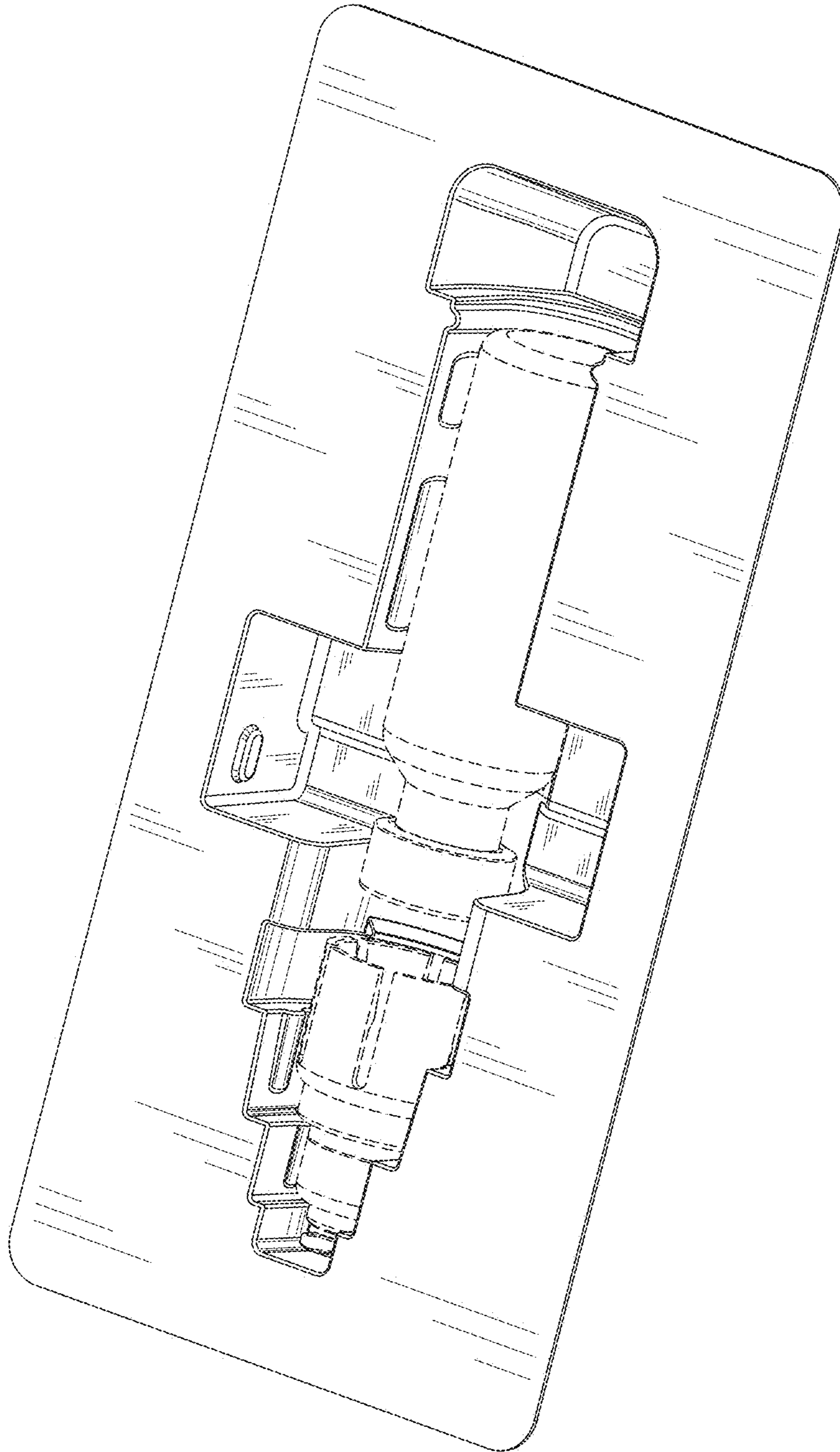


Fig. 8

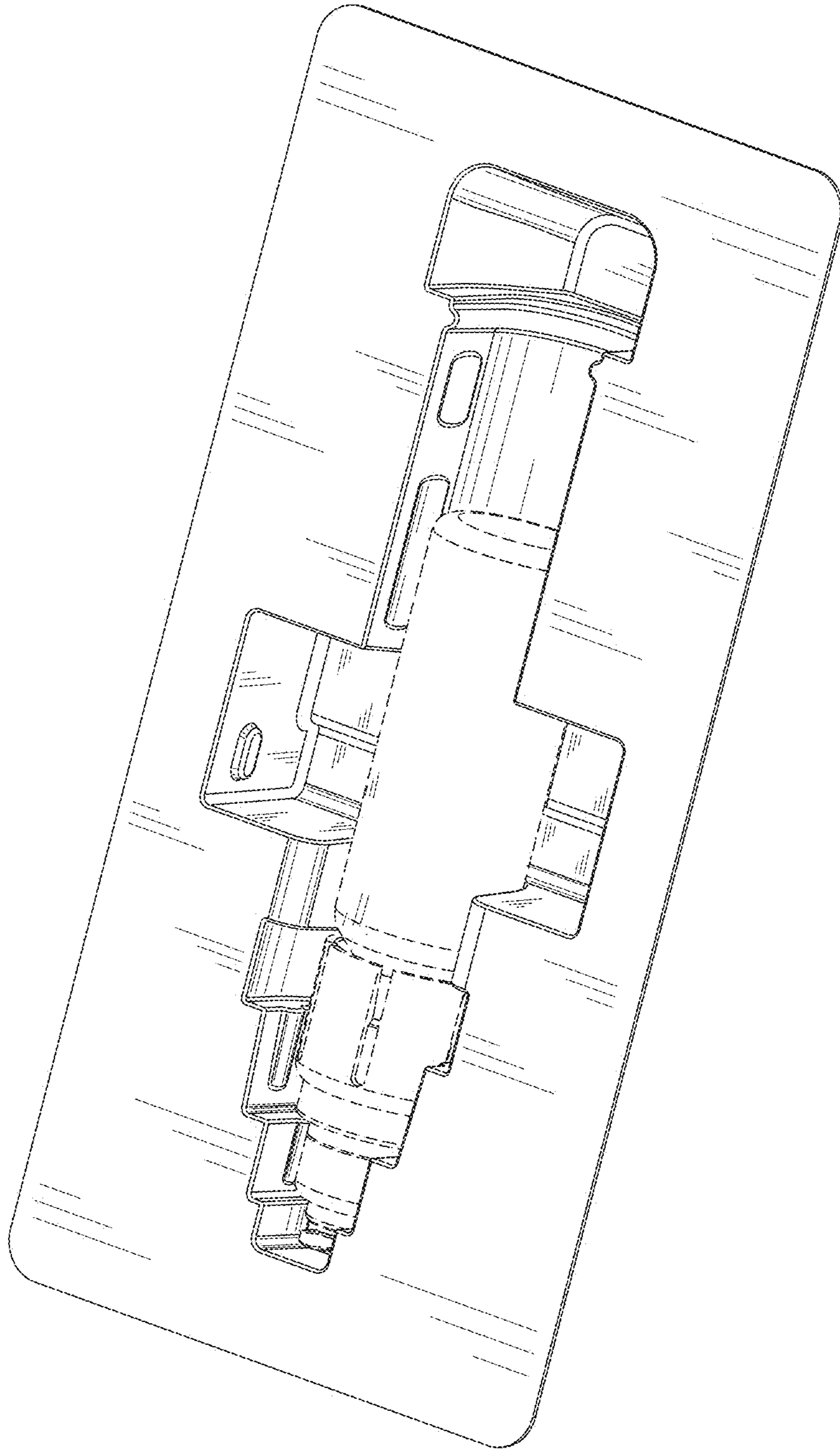


Fig. 9