



US00D983995S

(12) **United States Design Patent** (10) **Patent No.:** **US D983,995 S**
Byron (45) **Date of Patent:** **** *Apr. 18, 2023**

(54) **RESEALABLE VIAL**
(71) Applicant: **Kent Byron**, Lafayette, LA (US)
(72) Inventor: **Kent Byron**, Lafayette, LA (US)
(*) Notice: This patent is subject to a terminal disclaimer.
(**) Term: **15 Years**
(21) Appl. No.: **29/786,982**
(22) Filed: **Jun. 3, 2021**
(51) **LOC (14) Cl.** **24-02**
(52) **U.S. Cl.**
USPC **D24/224**; D24/115
(58) **Field of Classification Search**
USPC D24/115, 169, 216, 222-226, 231, 232;
D9/500, 537, 539, 544, 545, 549, 558,
D9/574; D3/203.1-203.8
CPC A61J 1/1425; B65D 51/002; B65D 39/00;
B65D 1/00; B65D 1/02; B65D 1/023;
B65D 75/5811; B65D 81/3266; G01N
21/718; C03C 3/091; B01L 3/5021; B01L
3/50825; B41F 17/22; B41F 17/08
See application file for complete search history.

D460,175 S 7/2002 Louviere
D471,628 S 3/2003 Louviere
D492,406 S * 6/2004 Masuda D24/115
D518,891 S * 4/2006 Strong D24/115
D539,903 S * 4/2007 Strong D24/112
D556,321 S * 11/2007 Starnes D24/115
D571,002 S * 6/2008 Starnes D24/115
D731,642 S * 6/2015 Cehajic A61J 1/00
D24/115
D854,183 S * 7/2019 Murray D24/224
D928,342 S * 8/2021 Murray D24/115
D954,943 S * 6/2022 Byron D24/115
D954,944 S * 6/2022 Byron D24/115

OTHER PUBLICATIONS

Vagheggi Terra Synergy for Unsightly Cellulite A. Online, published date unknown. Retrieved on Aug. 23, 2022 from URL: <https://www.switchfunky.com/collections/specialty-skincare-masks-treatments/products/vagheggi-terra-synergy-for-unsightly-cellulite-a>.*

(Continued)

Primary Examiner — Omeed Agilee
(74) *Attorney, Agent, or Firm* — Jones Walker LLP

(57) **CLAIM**

I claim the ornamental design for a resealable vial, as shown and described.

DESCRIPTION

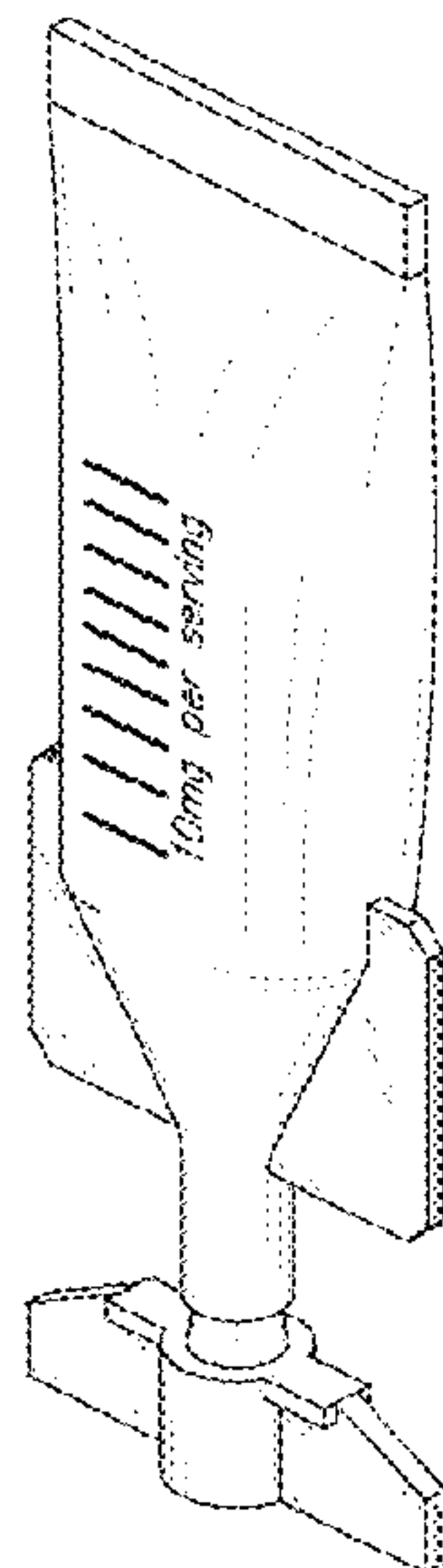
FIG. 1 is a perspective view of a resealable vial showing my new design;
FIG. 2 is a bottom view thereof;
FIG. 3 is a top view thereof;
FIG. 4 is a front view thereof;
FIG. 5 is a back view thereof;
FIG. 6 is a side view thereof; and,
FIG. 7 is a cross-sectional view thereof taken along lines 7-7 of FIG. 2.

1 Claim, 2 Drawing Sheets

(56) **References Cited**

U.S. PATENT DOCUMENTS

3,917,120 A 11/1975 Larenz et al.
D237,942 S * 12/1975 Welker, III et al. D24/117
3,993,223 A 11/1976 Welker et al.
4,512,475 A 4/1985 Federighi
D282,348 S 1/1986 Federighi
4,790,453 A 12/1988 Fontana et al.
D309,097 S * 7/1990 Price D24/115
4,951,822 A 8/1990 Fontana et al.
5,409,125 A 4/1995 Kimber et al.
D362,390 S * 9/1995 Weiler D9/503
6,234,333 B1 5/2001 Federighi
6,241,124 B1 6/2001 Hoyt



(56)

References Cited

OTHER PUBLICATIONS

Strip Monodose Tube Packing Machine. Online, published date Jul. 3, 2019. Retrieved on Aug. 23, 2022 from URL: <https://www.youtube.com/watch?v=NcwdzbuO4eo>.*

Applicant's co-pending Design U.S. Appl. No. 29/757,591, filed Nov. 6, 2020.

Applicant's co-pending Design U.S. Appl. No. 29/757,597, filed Nov. 6, 2020.

Applicant's co-pending Design U.S. Appl. No. 29/786,958, filed Jun. 3, 2021.

Applicant's co-pending Design U.S. Appl. No. 29/786,971, filed Jun. 3, 2021.

Applicant's co-pending Design U.S. Appl. No. 29/786,996, filed Jun. 3, 2021.

* cited by examiner

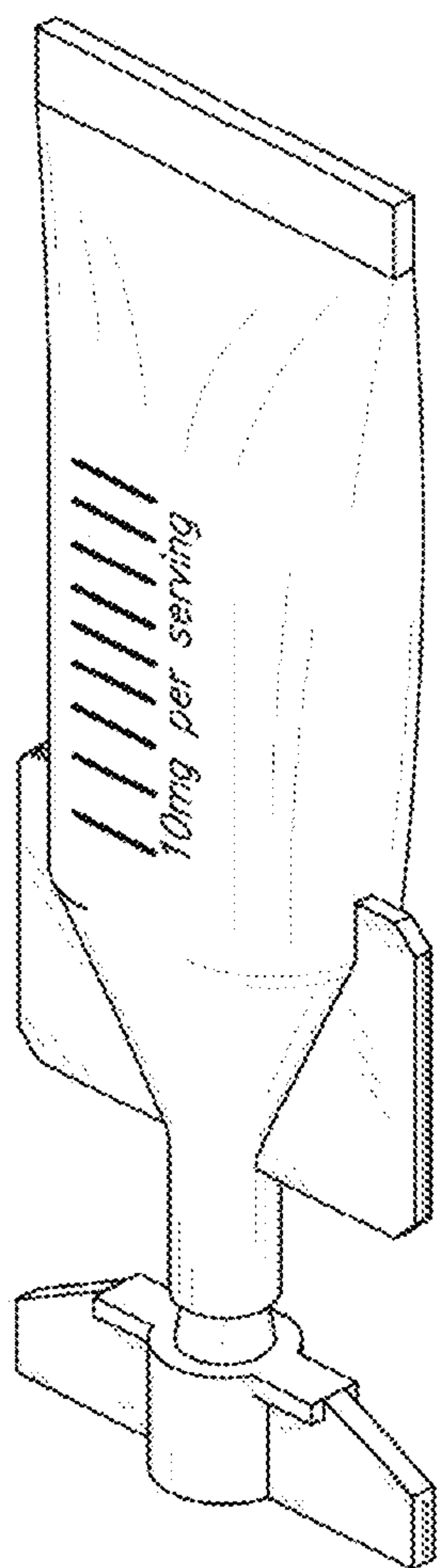


Fig. 1

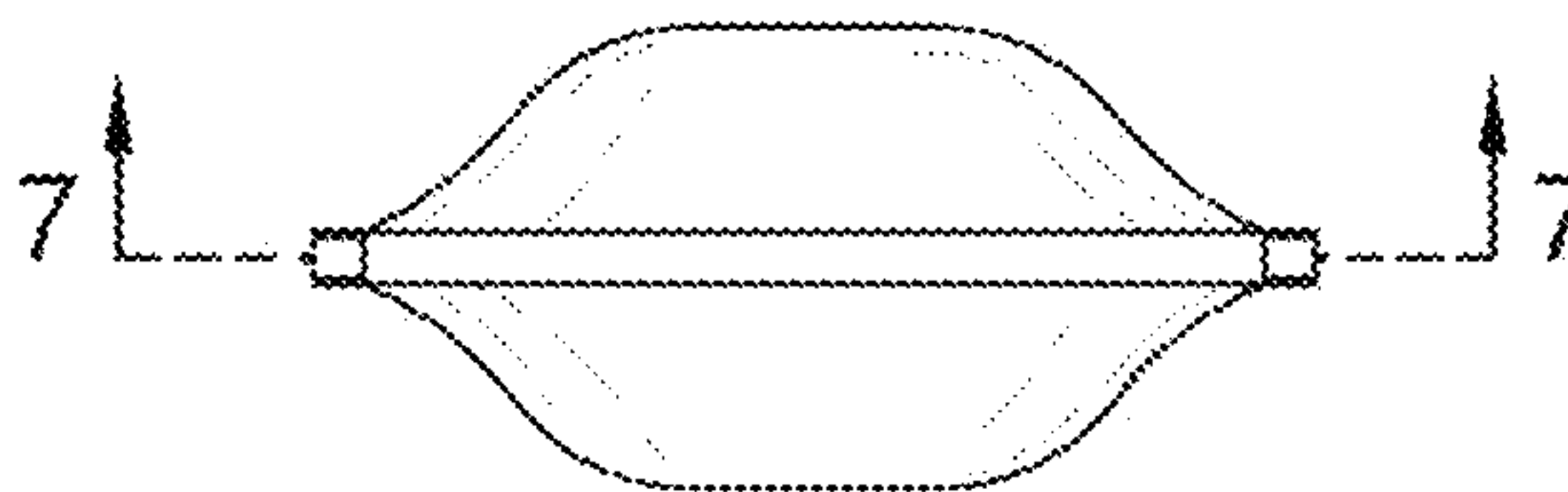


Fig. 2

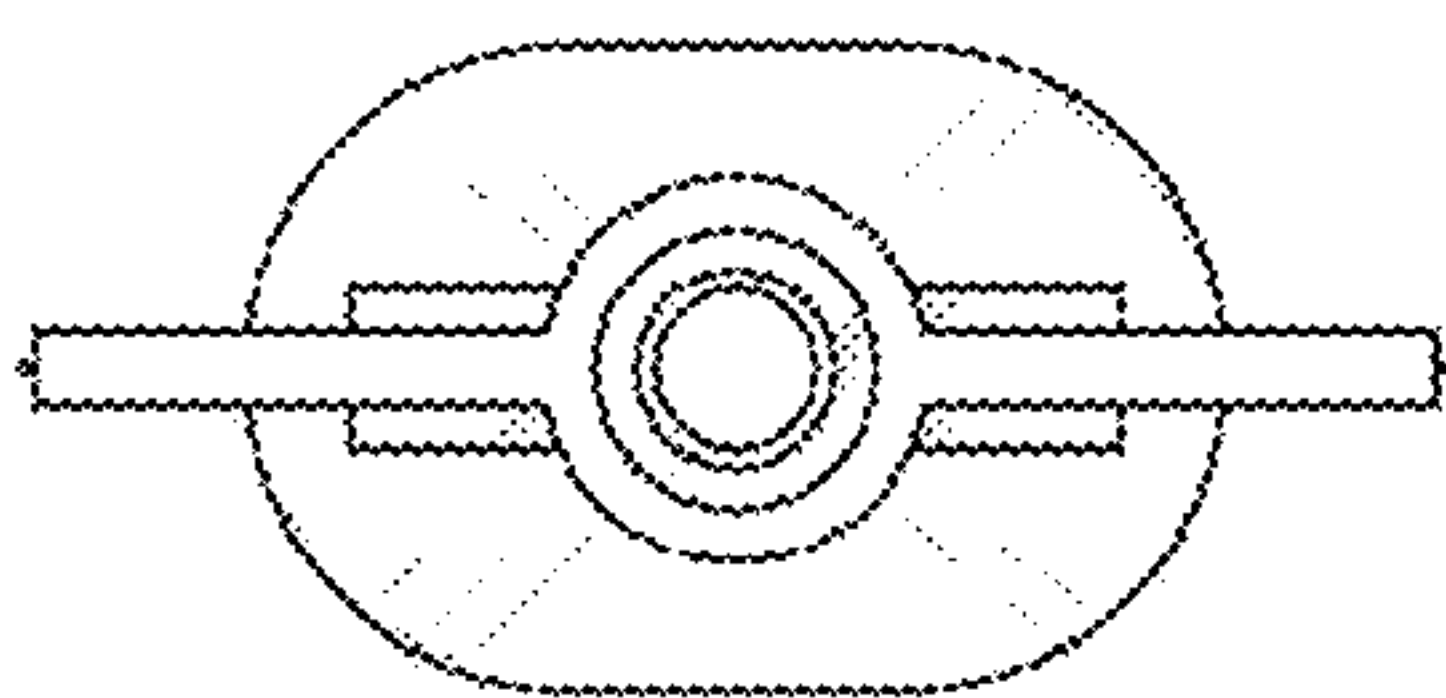


Fig. 3

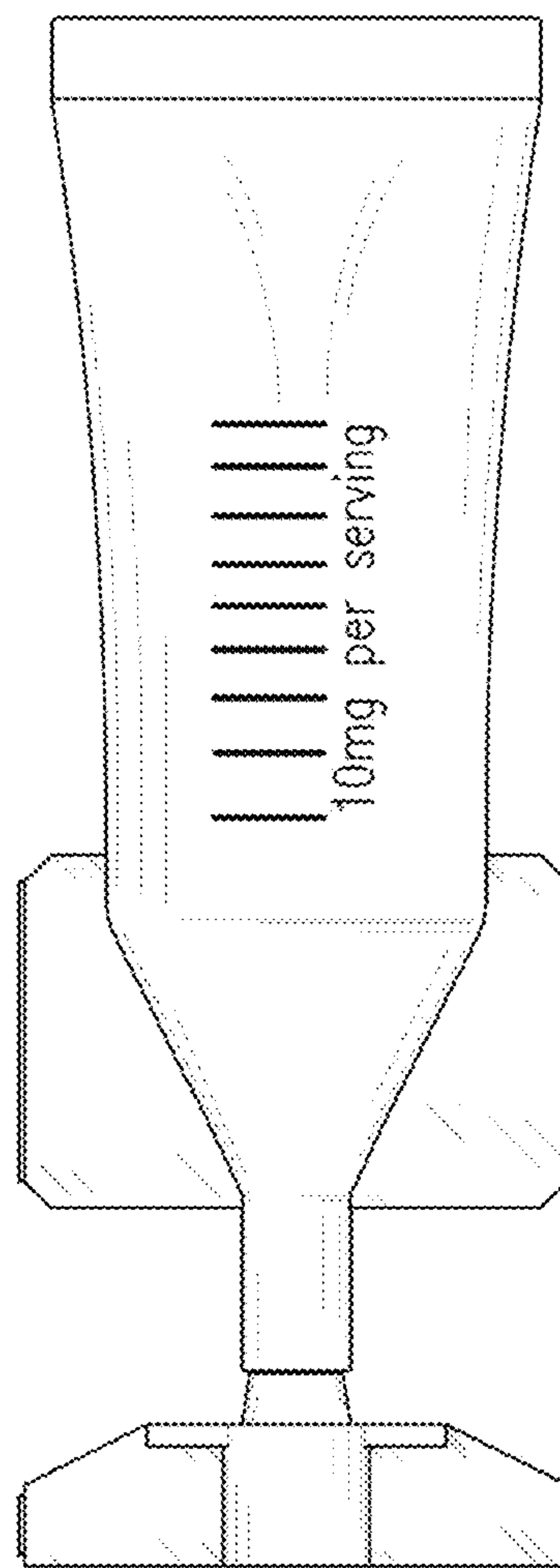


Fig. 4

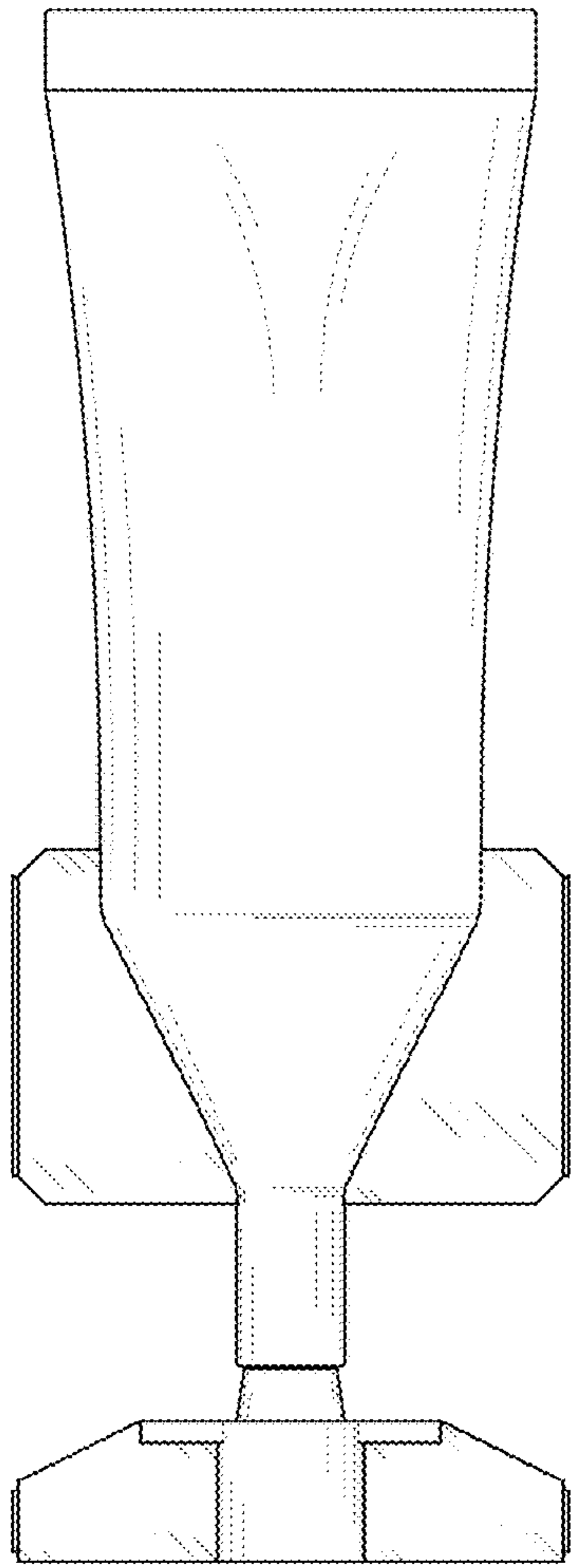


Fig. 5

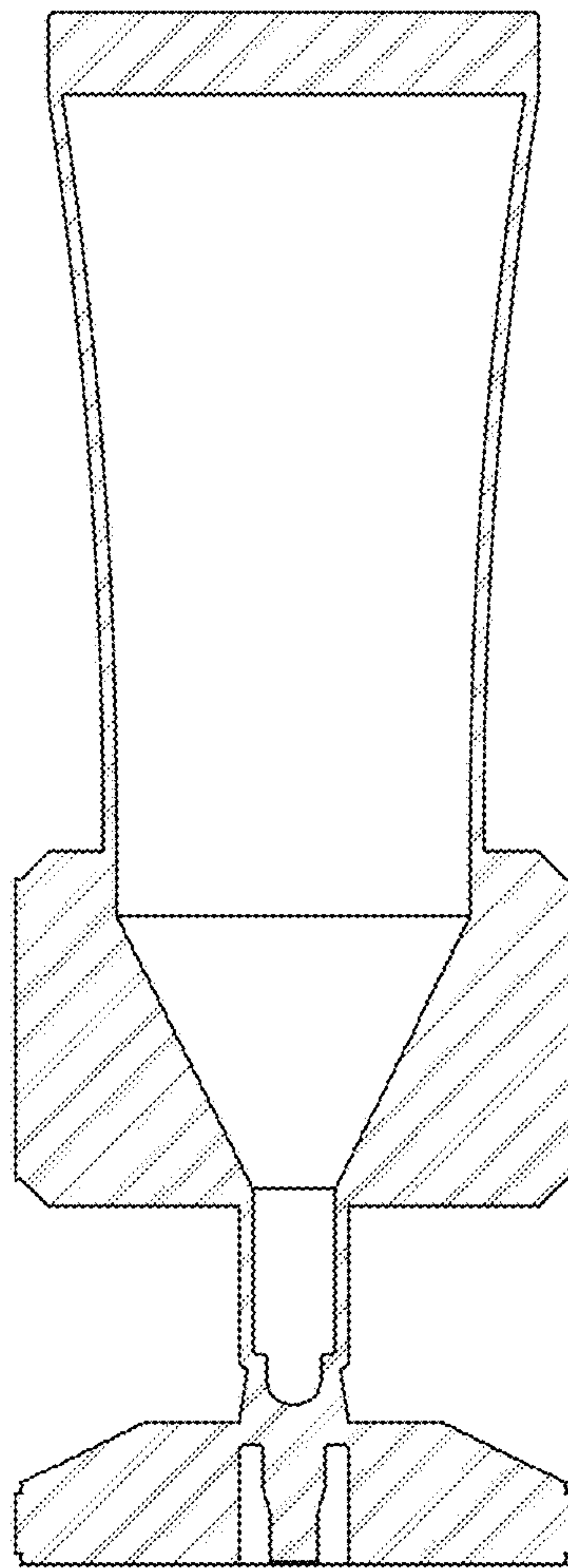


Fig. 7

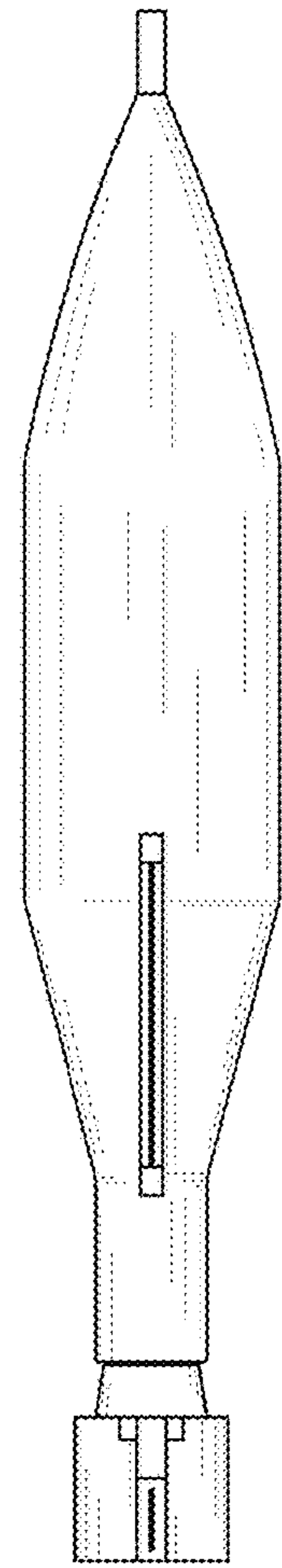


Fig. 6