



US00D983994S

(12) **United States Design Patent** (10) **Patent No.:** **US D983,994 S**  
**Byron** (45) **Date of Patent:** **\*\* \*Apr. 18, 2023**

- (54) **RESEALABLE VIAL**
- (71) Applicant: **Kent Byron**, New Iberia, LA (US)
- (72) Inventor: **Kent Byron**, Lafayette, LA (US)
- (\*) Notice: This patent is subject to a terminal disclaimer.
- (\*\*) Term: **15 Years**
- (21) Appl. No.: **29/786,958**
- (22) Filed: **Jun. 3, 2021**
- (51) **LOC (14) Cl.** ..... **24-02**
- (52) **U.S. Cl.**  
USPC ..... **D24/224**; D24/115
- (58) **Field of Classification Search**  
USPC ..... D24/115, 169, 216, 222-226, 231, 232;  
D9/500, 537, 539, 544, 545, 549, 558,  
D9/574; D3/203.1-203.8  
CPC ..... A61J 1/1425; B65D 51/002; B65D 39/00;  
B65D 1/00; B65D 1/02; B65D 1/023;  
B65D 75/5811; B65D 81/3266; G01N  
21/718; C03C 3/091; B01L 3/5021; B01L  
3/50825; B41F 17/22; B41F 17/08  
See application file for complete search history.

D460,175 S	7/2002	Louviere	
D471,628 S	3/2003	Louviere	
D492,406 S *	6/2004	Masuda	D24/115
D518,891 S *	4/2006	Strong	D24/115
D539,903 S *	4/2007	Strong	D24/112
D556,321 S *	11/2007	Starnes	D24/115
D571,002 S *	6/2008	Starnes	D24/115
D731,642 S *	6/2015	Cehajic	A61J 1/00 D24/115
D854,183 S *	7/2019	Murray	D24/224
D928,342 S *	8/2021	Murray	D24/115
D954,943 S *	6/2022	Byron	D24/115
D954,944 S *	6/2022	Byron	D24/115

- (56) **References Cited**  
U.S. PATENT DOCUMENTS  
3,917,120 A 11/1975 Larenz et al.  
D237,942 S \* 12/1975 Welker, III et al. .... D24/117  
3,993,223 A 11/1976 Welker et al.  
4,512,475 A 4/1985 Federighi  
D282,348 S 1/1986 Federighi  
4,790,453 A 12/1988 Fontana et al.  
D309,097 S \* 7/1990 Price ..... D24/115  
4,951,822 A 8/1990 Fontana et al.  
5,409,125 A 4/1995 Kimber et al.  
D362,390 S \* 9/1995 Weiler ..... D9/503  
6,234,333 B1 5/2001 Federighi  
6,241,124 B1 6/2001 Hoyt

OTHER PUBLICATIONS

Vagheggi Terra Synergy for Unsightly Cellulite A. Online, published date unknown. Retrieved on Aug. 23, 2022 from URL: <https://www.switchfunky.com/collections/specialty-skincare-masks-treatments/products/vagheggi-terra-synergy-for-unsightly-cellulite-a>.\*

(Continued)

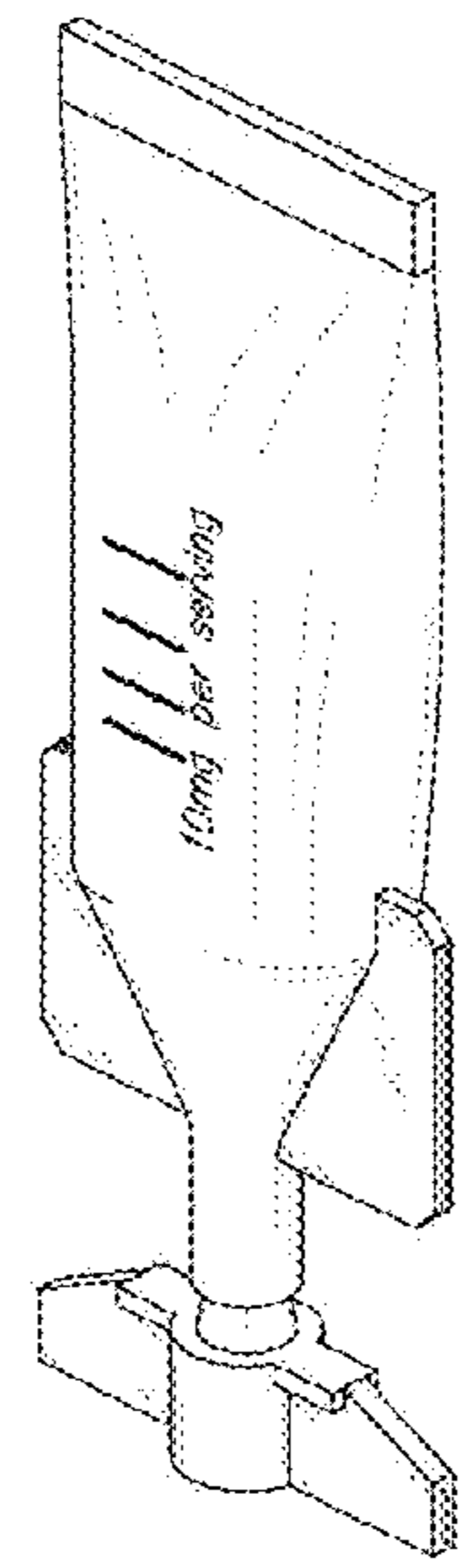
*Primary Examiner* — Omeed Agilee  
(74) *Attorney, Agent, or Firm* — Jones Walker LLP

(57) **CLAIM**  
I claim the ornamental design for a resealable vial, as shown and described.

**DESCRIPTION**

FIG. 1 is a perspective view of a resealable vial showing my new design;  
FIG. 2 is a bottom view thereof;  
FIG. 3 is a top view thereof;  
FIG. 4 is a front view thereof;  
FIG. 5 is a back view thereof;  
FIG. 6 is a side view thereof; and,  
FIG. 7 is a cross-sectional view thereof taken along lines 7-7 of FIG. 2.

**1 Claim, 2 Drawing Sheets**



(56)

**References Cited**

OTHER PUBLICATIONS

Strip Monodose Tube Packing Machine. Online, published date Jul. 3, 2019. Retrieved on Aug. 23, 2022 from URL: <https://www.youtube.com/watch?v=NcwdzbuO4eo>.\*

Applicant's co-pending Design U.S. Appl. No. 29/757,591, filed Nov. 6, 2020.

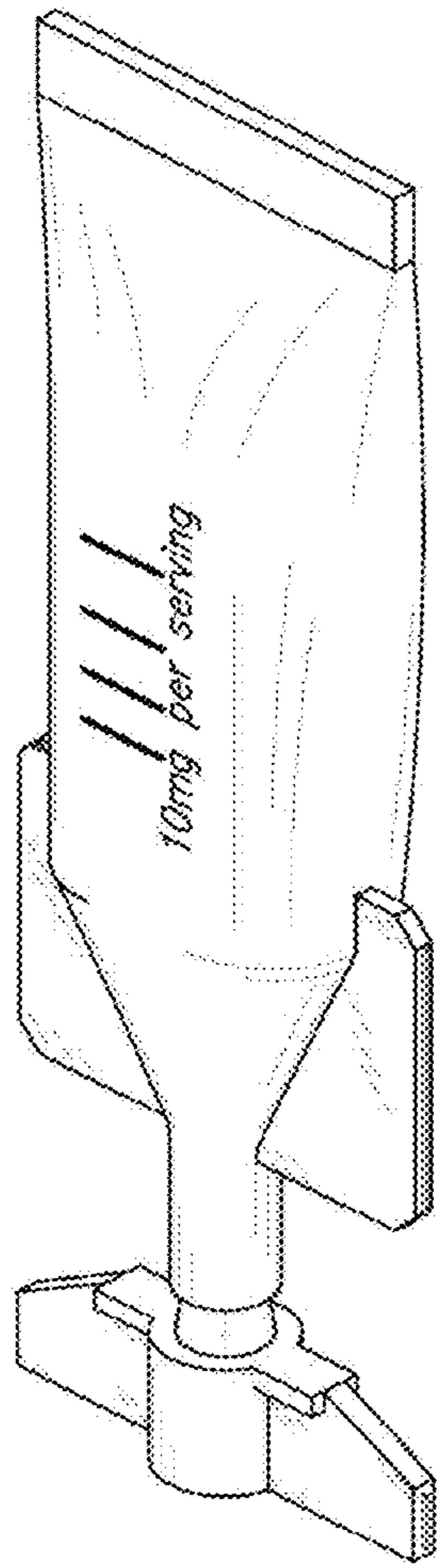
Applicant's co-pending Design U.S. Appl. No. 29/757,597, filed Nov. 6, 2020.

Applicant's co-pending Design U.S. Appl. No. 29/786,971, filed Jun. 3, 2021.

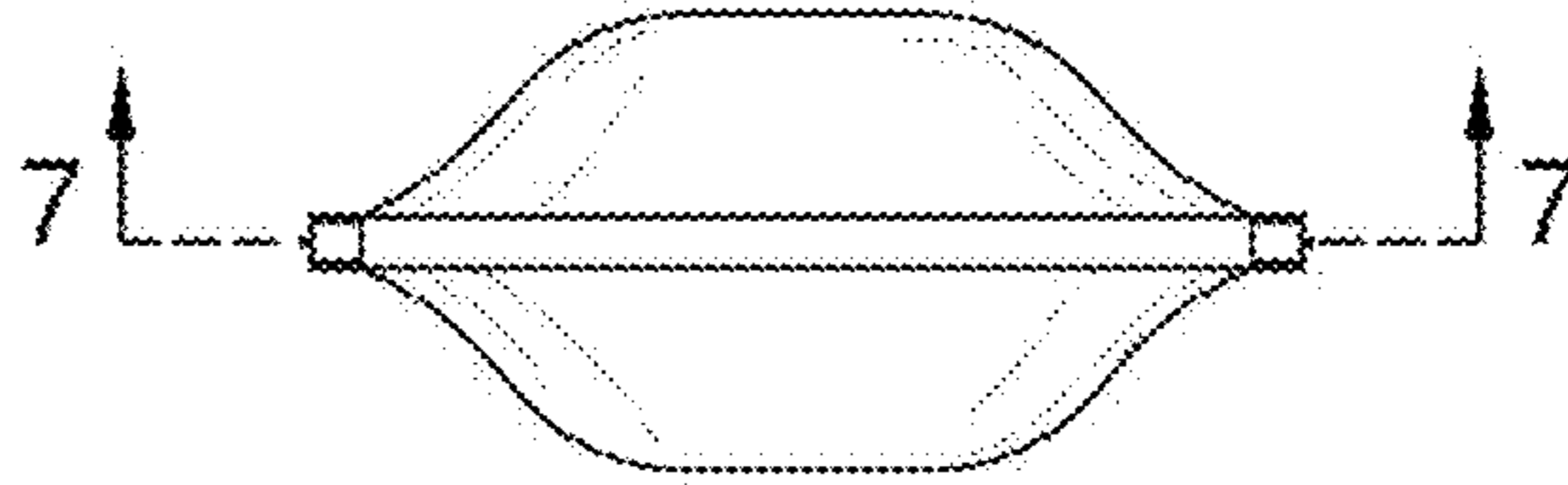
Applicant's co-pending Design U.S. Appl. No. 29/786,982, filed Jun. 3, 2021.

Applicant's co-pending Design U.S. Appl. No. 29/786,996, filed Jun. 3, 2021.

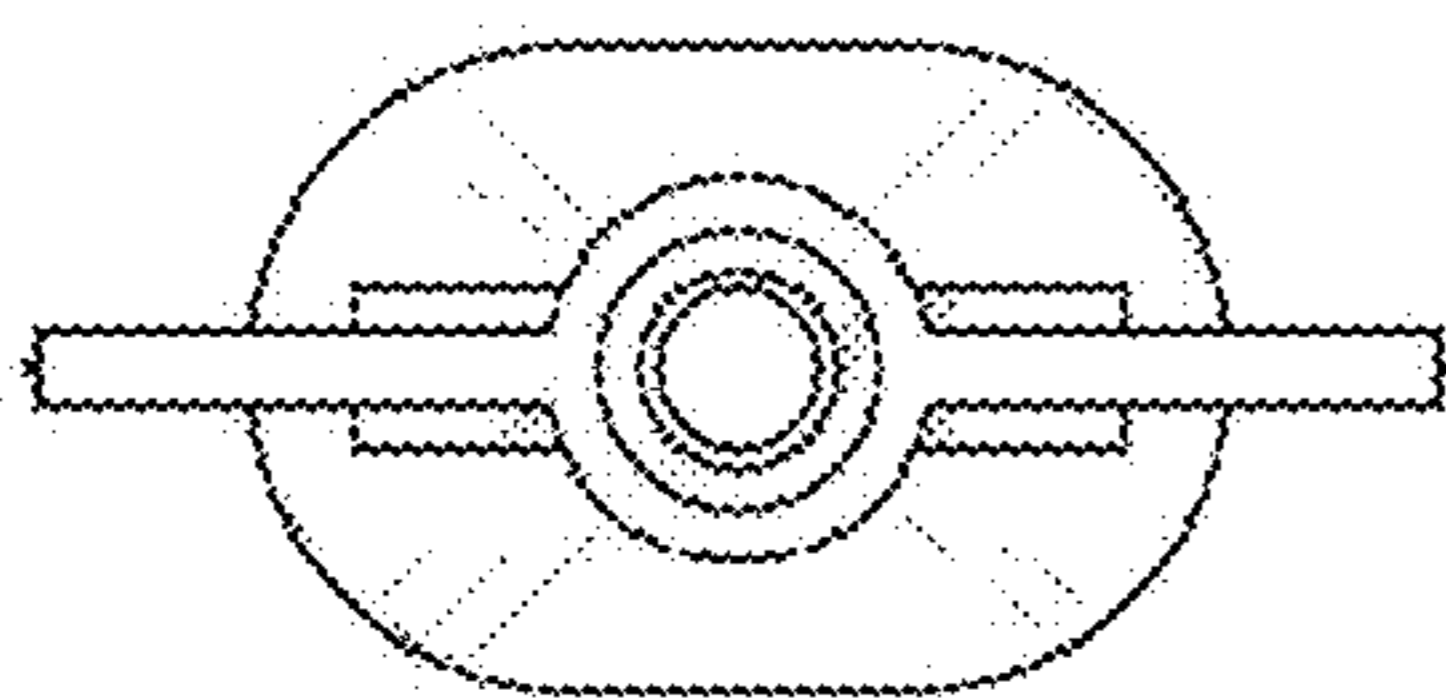
\* cited by examiner



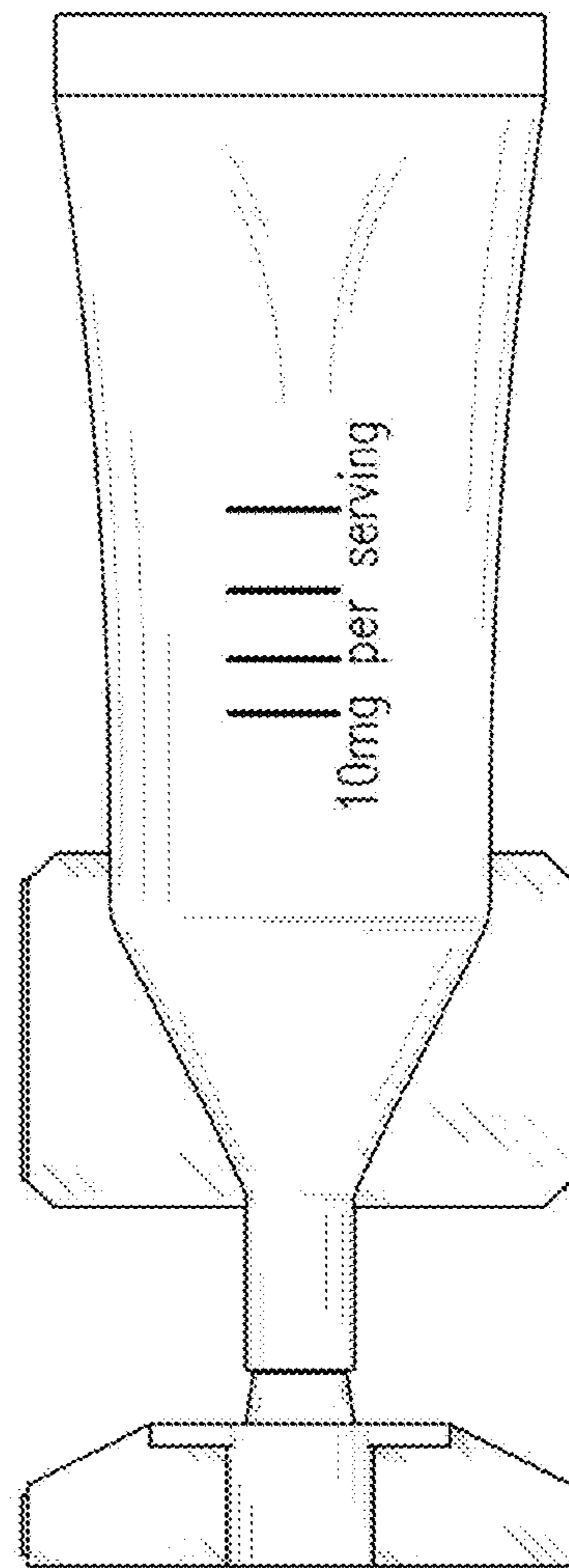
**Fig. 1**



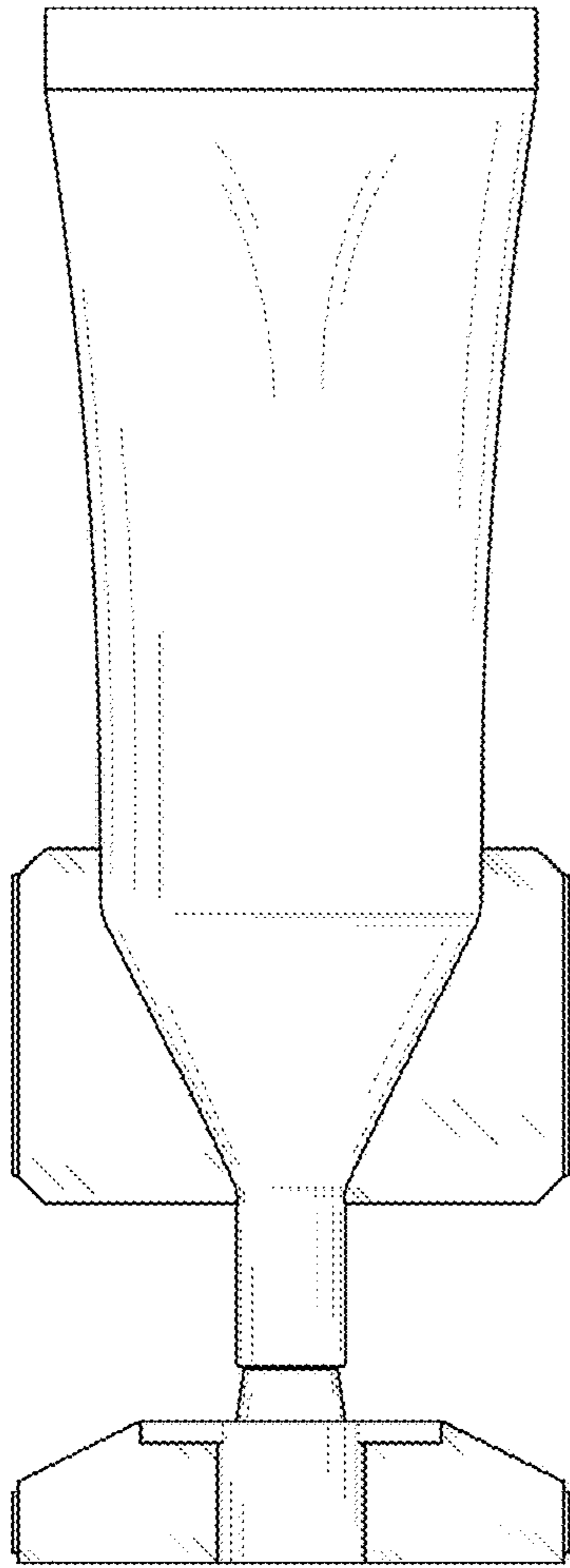
**Fig. 2**



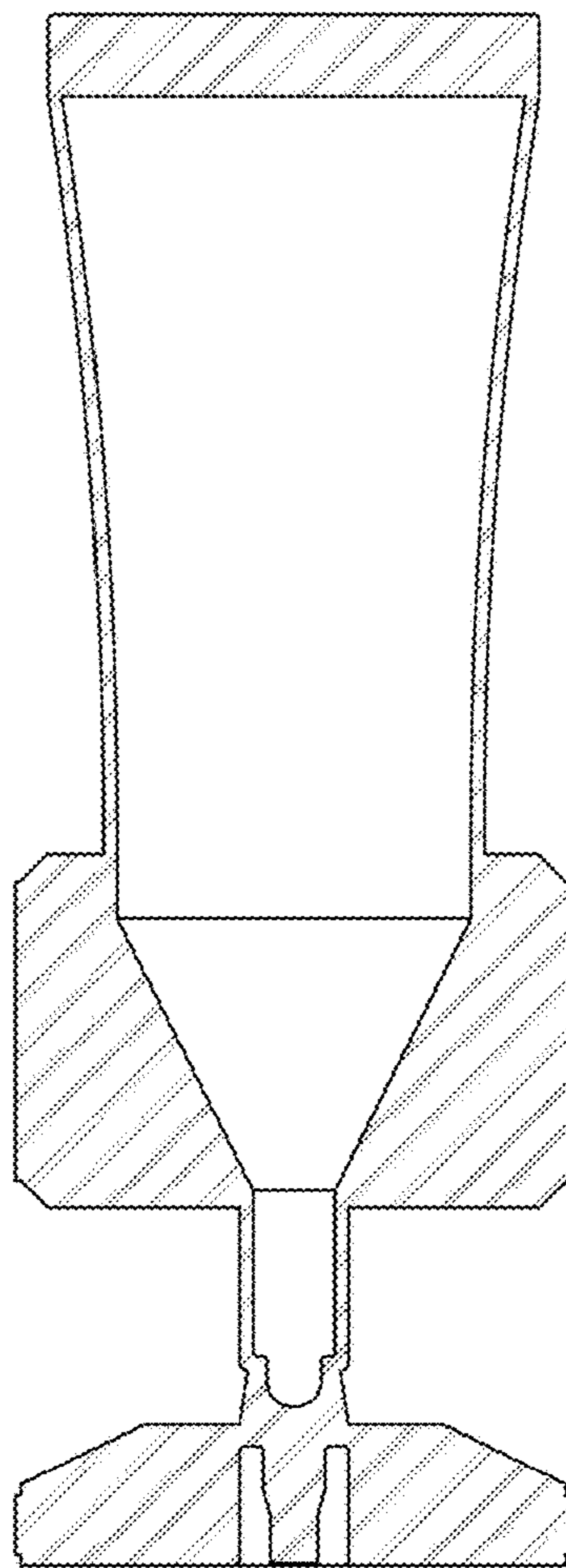
**Fig. 3**



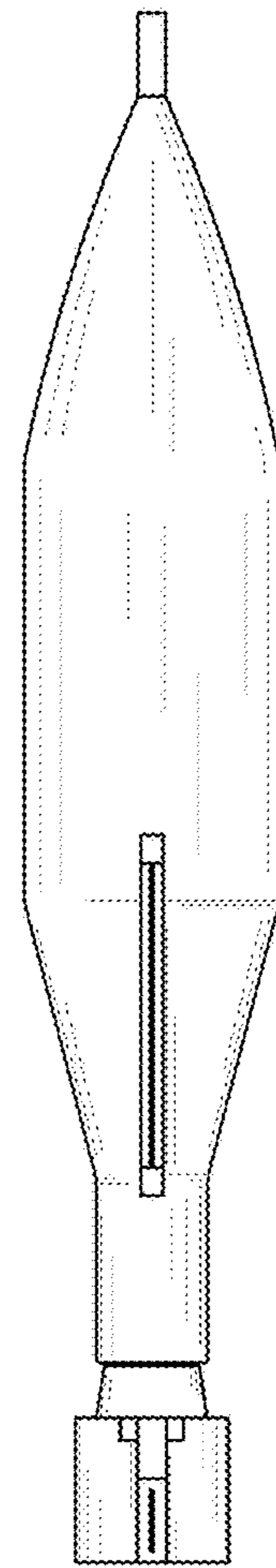
**Fig. 4**



**Fig. 5**



**Fig. 7**



**Fig. 6**