



US00D983992S

(12) **United States Design Patent** (10) **Patent No.:** **US D983,992 S**  
**Buenning et al.** (45) **Date of Patent:** **\*\* Apr. 18, 2023**

(54) **ASSAY DEVICE**

(71) Applicant: **ABBOTT RAPID DIAGNOSTICS INTERNATIONAL UNLIMITED COMPANY**, Dublin (IE)

(72) Inventors: **Carsten Buenning**, Dublin (IE); **Xin Wu**, Dublin (IE)

(73) Assignee: **ABBOTT RAPID DIAGNOSTICS INTERNATIONAL UNLIMITED COMPANY**, Dublin (IE)

(\*\*) Term: **15 Years**

(21) Appl. No.: **29/797,409**

(22) Filed: **Jun. 30, 2021**

**Related U.S. Application Data**

(63) Continuation of application No. PCT/IB2021/000232, filed on Apr. 7, 2021.

(51) **LOC (14) Cl.** ..... **24-01**

(52) **U.S. Cl.**  
USPC ..... **D24/223**

(58) **Field of Classification Search**

USPC ..... D24/107, 186, 216, 232, 233, 234, 121, D24/122, 223, 224, 225, 227, 231, 119, D24/133; D10/81  
CPC ..... B01L 3/5023; B01L 3/523; B01L 3/565; B01L 2300/0809; B01L 3/50229; B01L 2300/0816; B01L 2300/0819; B01L 2300/0822; B01L 2300/0825; A61B 10/0038; A61B 10/0216; G01N 2001/028  
See application file for complete search history.

(56) **References Cited**

**U.S. PATENT DOCUMENTS**

4,857,453 A \* 8/1989 Ullman ..... G01N 33/54366 436/514  
D342,575 S \* 12/1993 Ashihara ..... D24/223  
5,622,871 A 4/1997 May et al.

6,187,598 B1 2/2001 May et al.  
D456,082 S \* 4/2002 Bouse ..... D24/223  
6,485,982 B1 11/2002 Charlton  
6,565,808 B2 5/2003 Hudak et al.  
6,809,687 B2 10/2004 Yuanzhu et al.  
D660,977 S \* 5/2012 Wagner ..... D24/223  
8,828,739 B2 9/2014 Guo et al.

(Continued)

**FOREIGN PATENT DOCUMENTS**

WO WO 2011/102563 A1 8/2011

**OTHER PUBLICATIONS**

International Application Status Report of application PCT/IB2021/000232. Filing date: Jul. 4, 2021.\*

*Primary Examiner* — Anhdao Doan

(74) *Attorney, Agent, or Firm* — Casimir Jones, S.C.; Thomas A. Isenbarger

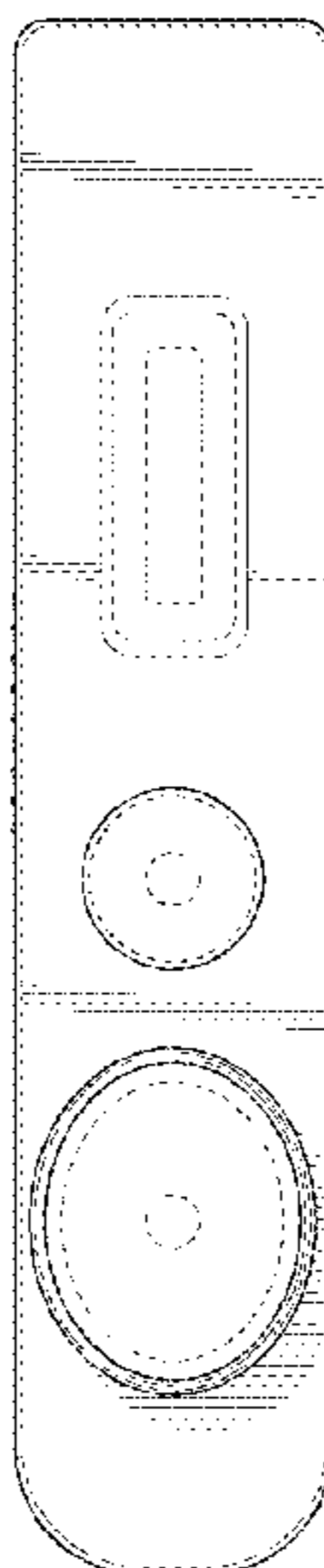
(57) **CLAIM**

The ornamental design for an assay device, as shown and described.

**DESCRIPTION**

FIG. 1 is a front view showing a new design of an assay device.  
FIG. 2 is a left view showing the new design of the assay device.  
FIG. 3 is a right view showing the new design of the assay device.  
FIG. 4 is a back view showing the new design of the assay device.  
FIG. 5 is an enlarged top view showing the new design of the assay device; and,  
FIG. 6 is an enlarged bottom view showing the new design of the assay device.  
The broken lines depict portions of the assay device that form no part of the claimed design.

**1 Claim, 6 Drawing Sheets**



(56)

**References Cited**

U.S. PATENT DOCUMENTS

D772,428	S *	11/2016	Fumito .....	D24/225
D894,422	S *	8/2020	Johnson .....	D24/224
D954,982	S *	6/2022	Ye .....	D24/223
D959,015	S *	7/2022	Fang .....	D24/223
D959,693	S *	8/2022	Lambie .....	D24/223
2004/0184954	A1	9/2004	Guo et al.	
2016/0011188	A1*	1/2016	Anderberg .....	B01L 3/5023 264/250
2021/0255178	A1*	8/2021	Chang .....	B01L 3/502746
2021/0370290	A1*	12/2021	Anderson .....	B01L 3/50273

\* cited by examiner

FIG. 1

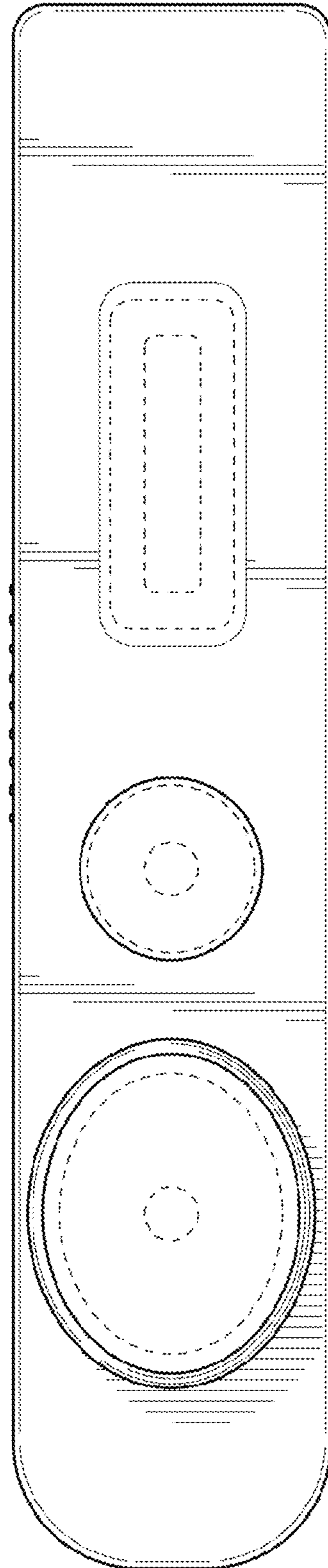


FIG. 2

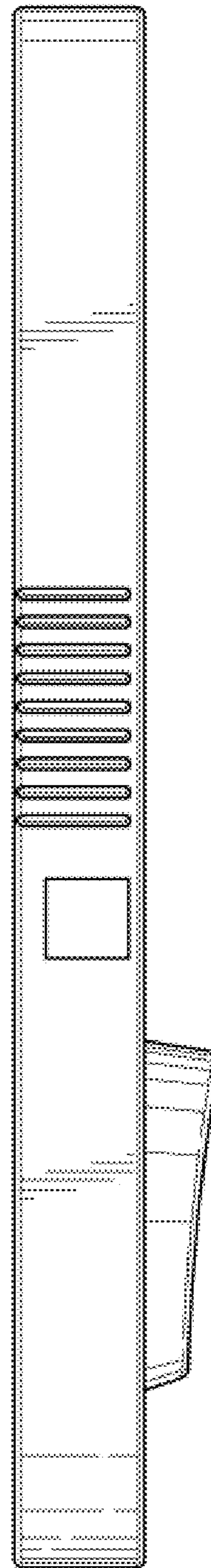


FIG. 3

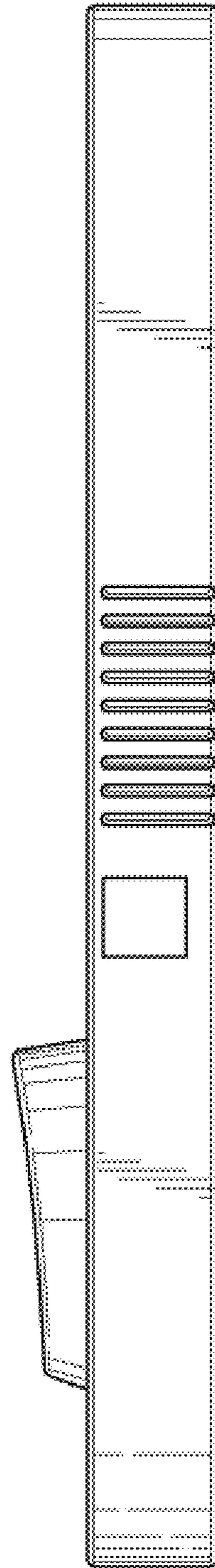


FIG. 4

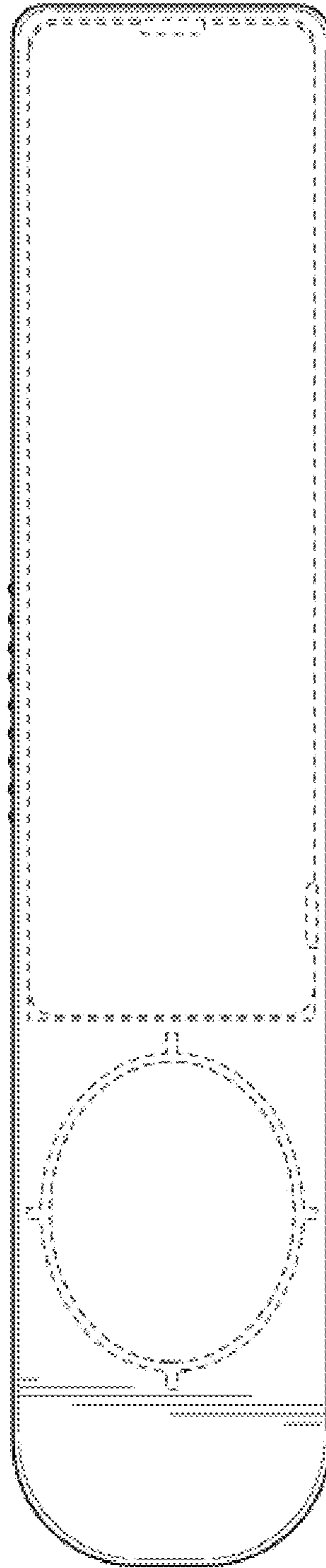


FIG. 5

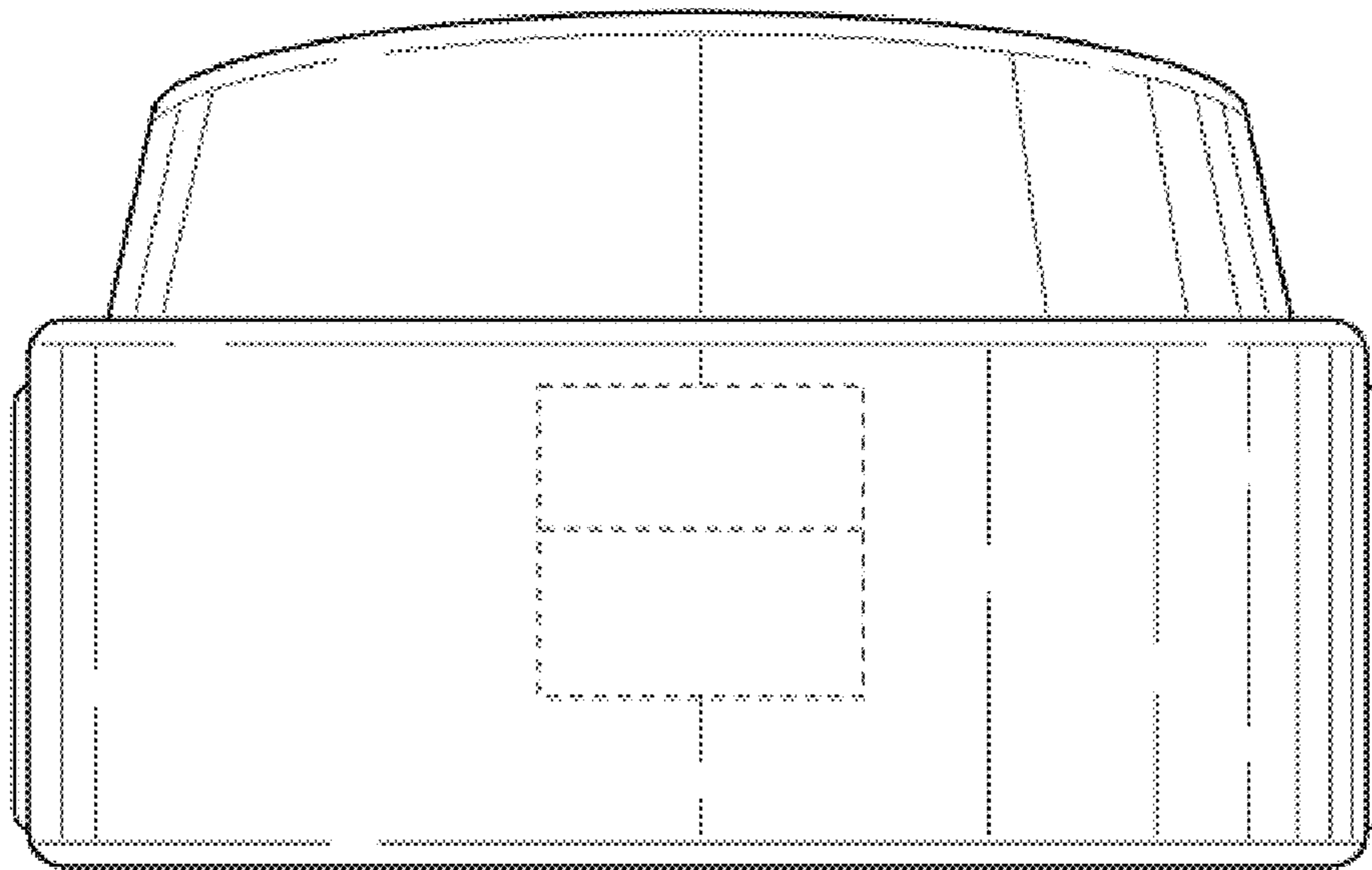


FIG. 6

