



US00D983989S

(12) **United States Design Patent**
Guo

(10) **Patent No.: US D983,989 S**

(45) **Date of Patent: ** Apr. 18, 2023**

(54) **SEX TOY**

(71) Applicant: **LanYing Guo**, Guangxi Province (CN)

(72) Inventor: **LanYing Guo**, Guangxi Province (CN)

(**) Term: **15 Years**

(21) Appl. No.: **29/809,376**

(22) Filed: **Sep. 28, 2021**

(51) **LOC (14) Cl. 24-01**

(52) **U.S. Cl.**
USPC **D24/215**

(58) **Field of Classification Search**
USPC D24/141, 190, 200, 211, 212, 213, 214,
D24/215; D30/160
CPC A61H 19/44; A61H 19/32; A61H 19/40;
A61H 19/34; A61H 19/50; A61H
2205/087

See application file for complete search history.

(56) **References Cited**

U.S. PATENT DOCUMENTS

D592,758 S *	5/2009	Kain	D24/215
D653,349 S *	1/2012	Chong	D24/215
D653,350 S *	1/2012	Chen	D24/215
D681,219 S *	4/2013	Chen	D24/215
D681,223 S *	4/2013	Chen	D24/215
D685,917 S *	7/2013	Chen	D24/215
D685,918 S *	7/2013	Chen	D24/215
D739,547 S *	9/2015	Cheung	D24/215
D739,548 S *	9/2015	Cheung	D24/215
D743,570 S *	11/2015	Cheung	D24/215
D764,056 S *	8/2016	Sedic	D24/141
D796,054 S	8/2017	Chen		
D796,055 S	8/2017	Chen		
D817,507 S *	5/2018	Cheung	D24/215
D818,142 S *	5/2018	Cheung	D24/215
D818,143 S *	5/2018	Cheung	D24/215
D818,144 S *	5/2018	Cheung	D24/215
D854,181 S	7/2019	Wei		
D885,600 S *	5/2020	Lee	D24/215

D933,252 S *	10/2021	Cheung	D24/215
D936,853 S *	11/2021	Dumler	D24/215
D938,606 S *	12/2021	Dumler	D24/215
2018/0140504 A1 *	5/2018	Chang	A61H 99/00

OTHER PUBLICATIONS

Amazon, "Vibrating Dildo", Jul. 1, 2022. https://www.amazon.com/dp/B0B8C2GCMS/ref=sr_1_236?crd=102MT9QSAE0ZP&keywords=Clitoral+Sucking+Vibrator+For+Women&qid=1659458546&sprefix=clitoral+sucking+vibrator+for+women+%2Caps%2C140&sr=8-236. Shown on p. 1. (Year: 2022).*

* cited by examiner

Primary Examiner — Michael A Maharajh
(74) *Attorney, Agent, or Firm* — Che-Yang Chen; Law Office of Michael Chen

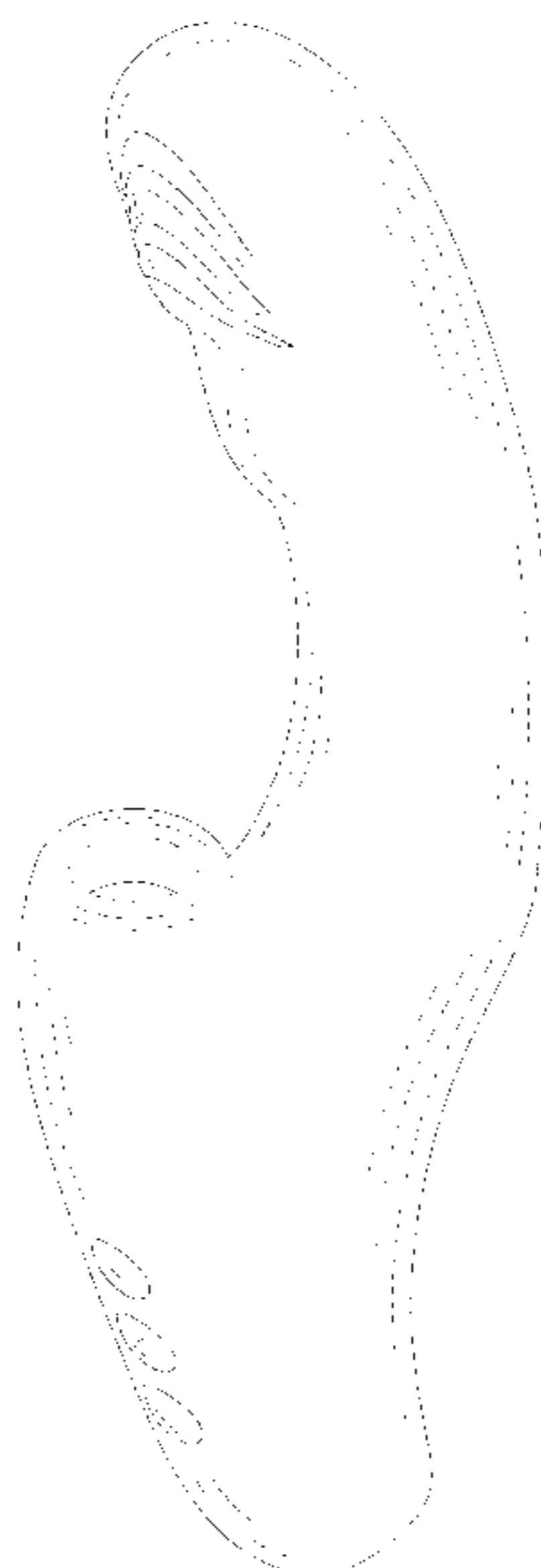
(57) **CLAIM**

The ornamental design for a sex toy, as shown and described.

DESCRIPTION

FIG. 1 is a perspective view of the sex toy showing my new design;
FIG. 2 is a front elevational view thereof;
FIG. 3 is a rear elevational view thereof;
FIG. 4 is a left side elevational view thereof;
FIG. 5 is a right side elevational view thereof;
FIG. 6 is a top plan view thereof;
FIG. 7 is a bottom plan view thereof; and,
FIG. 8 is a partial enlarged view of portion 8 in FIG. 5.
The evenly spaced broken lines shown in FIG. 6 is for the purpose of illustrating a portion of the sex toy, which forms no part of the claimed design. The dash-dot broken lines shown in FIGS. 5 and 8 are for the purpose of showing enlarged areas and form no part of the claimed design.

1 Claim, 8 Drawing Sheets



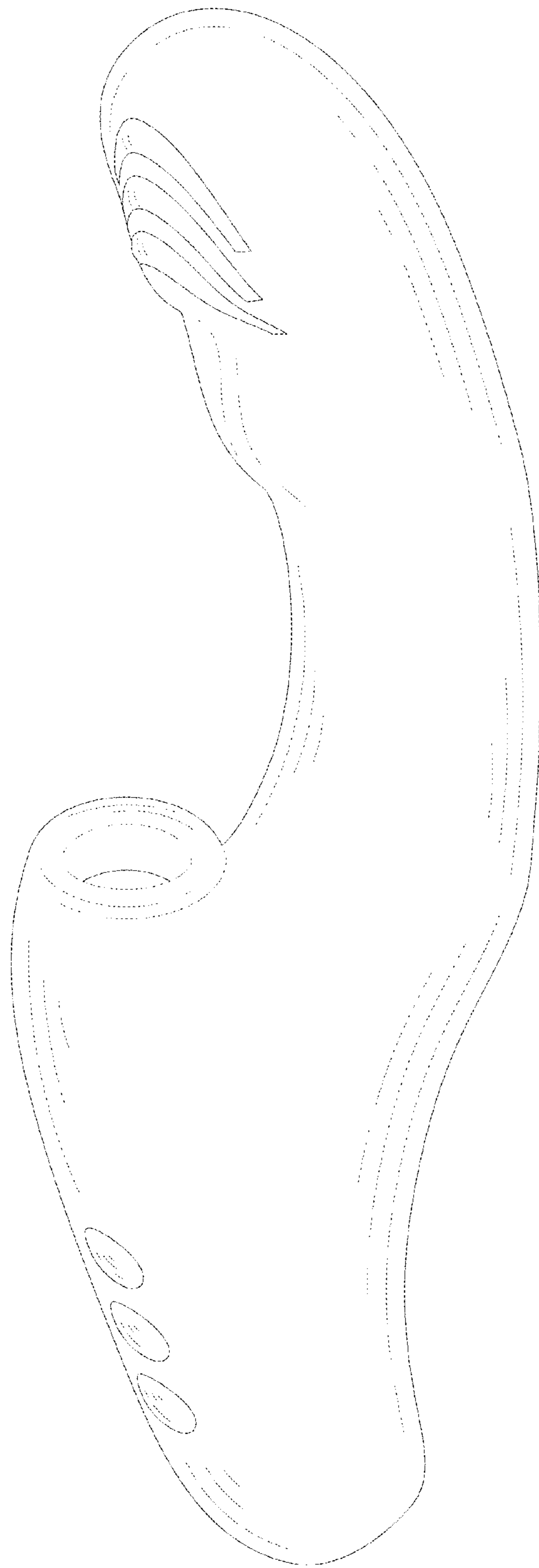


FIG. 1

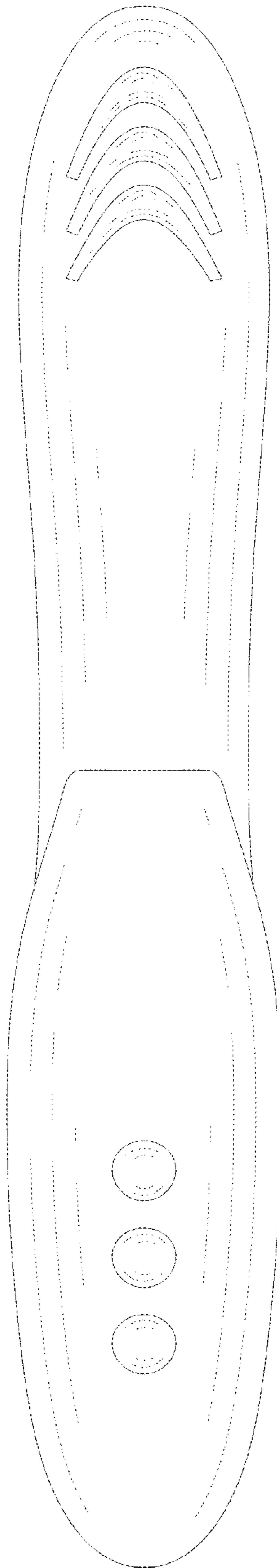


FIG. 2

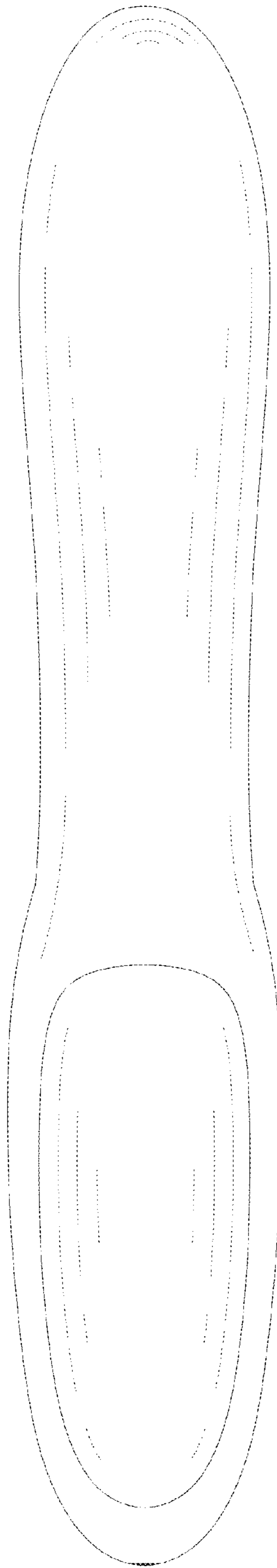


FIG. 3

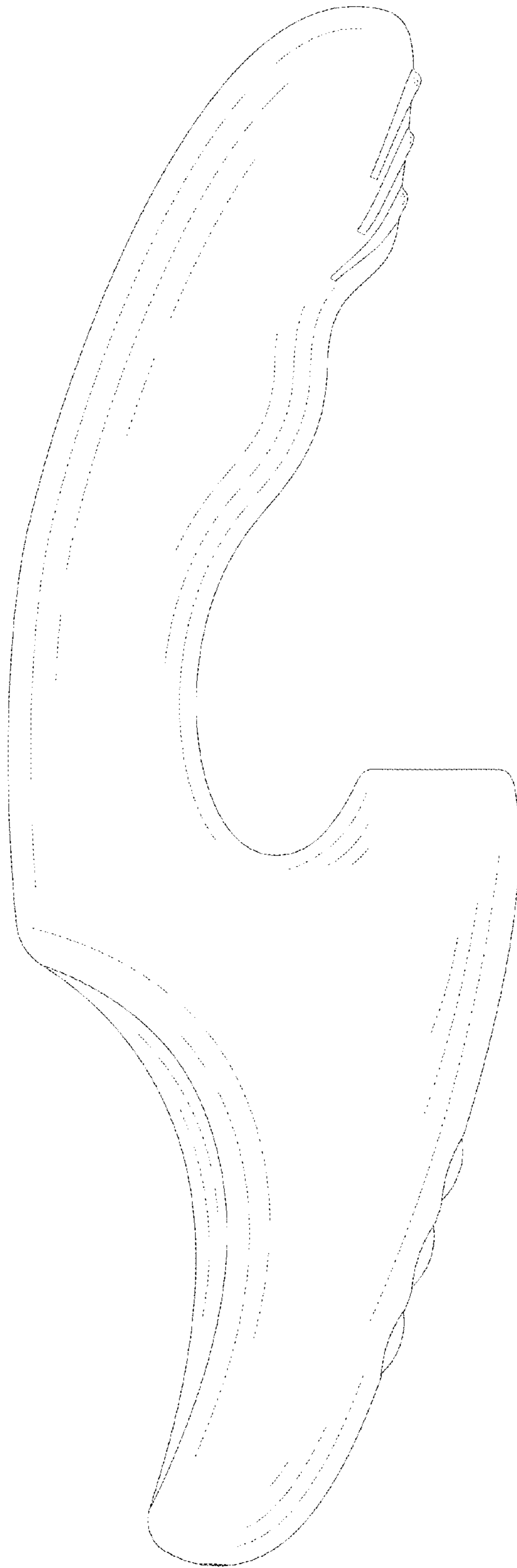


FIG. 4

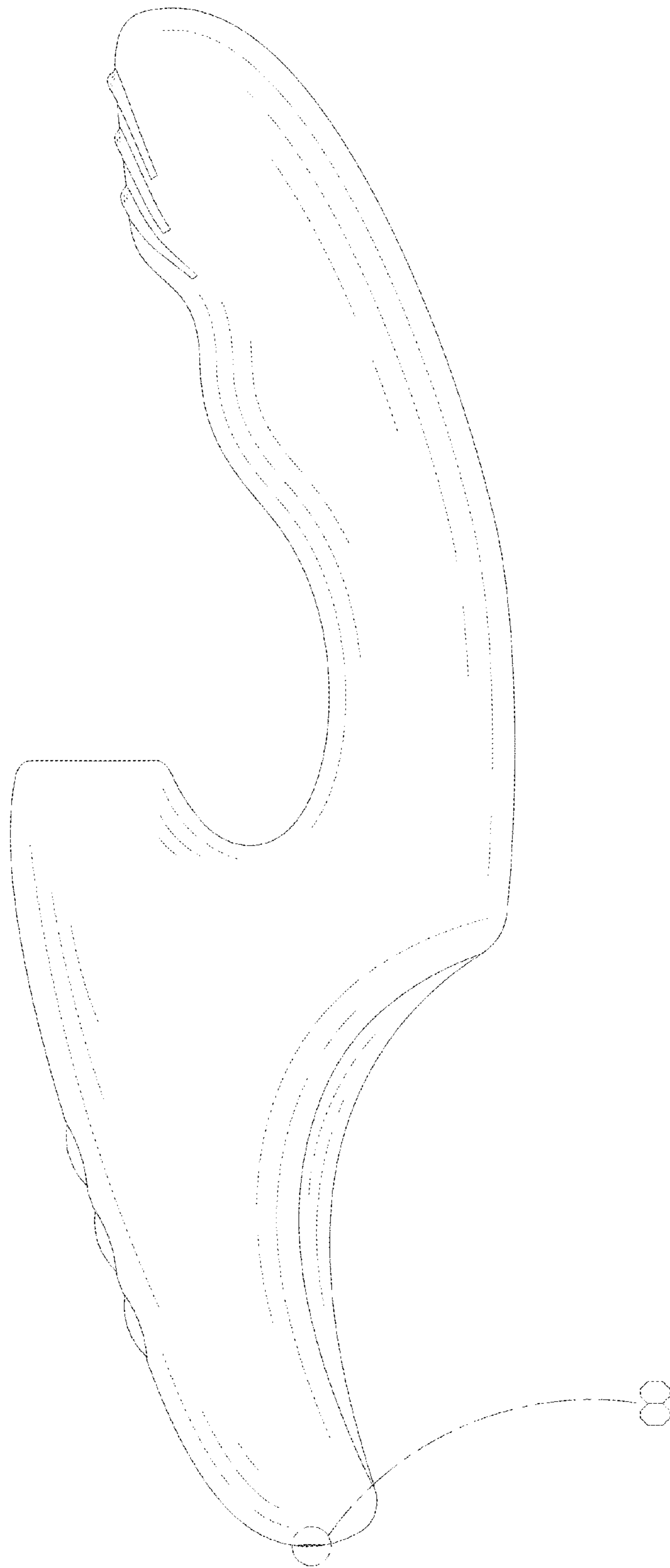


FIG. 5

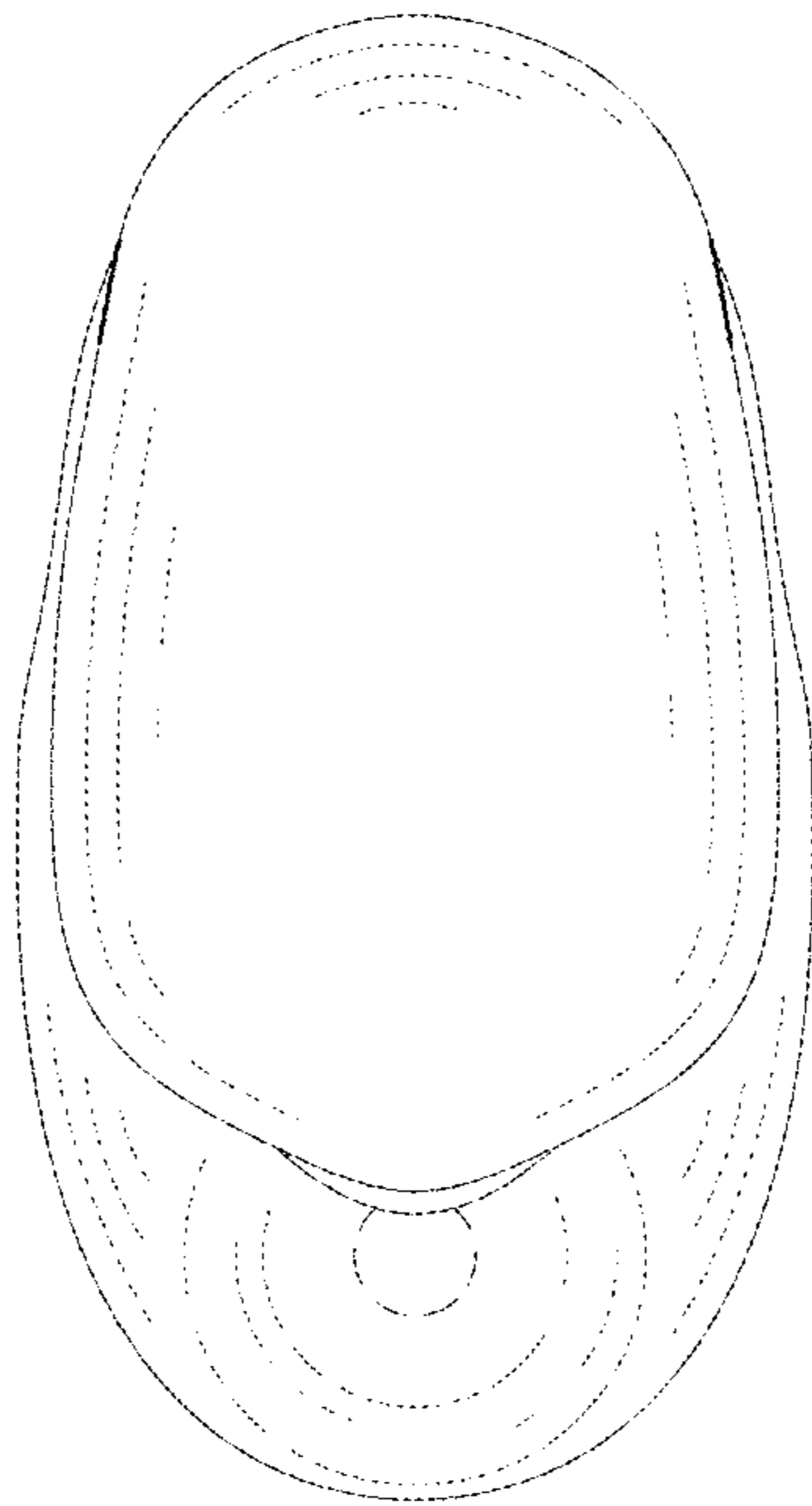


FIG. 6

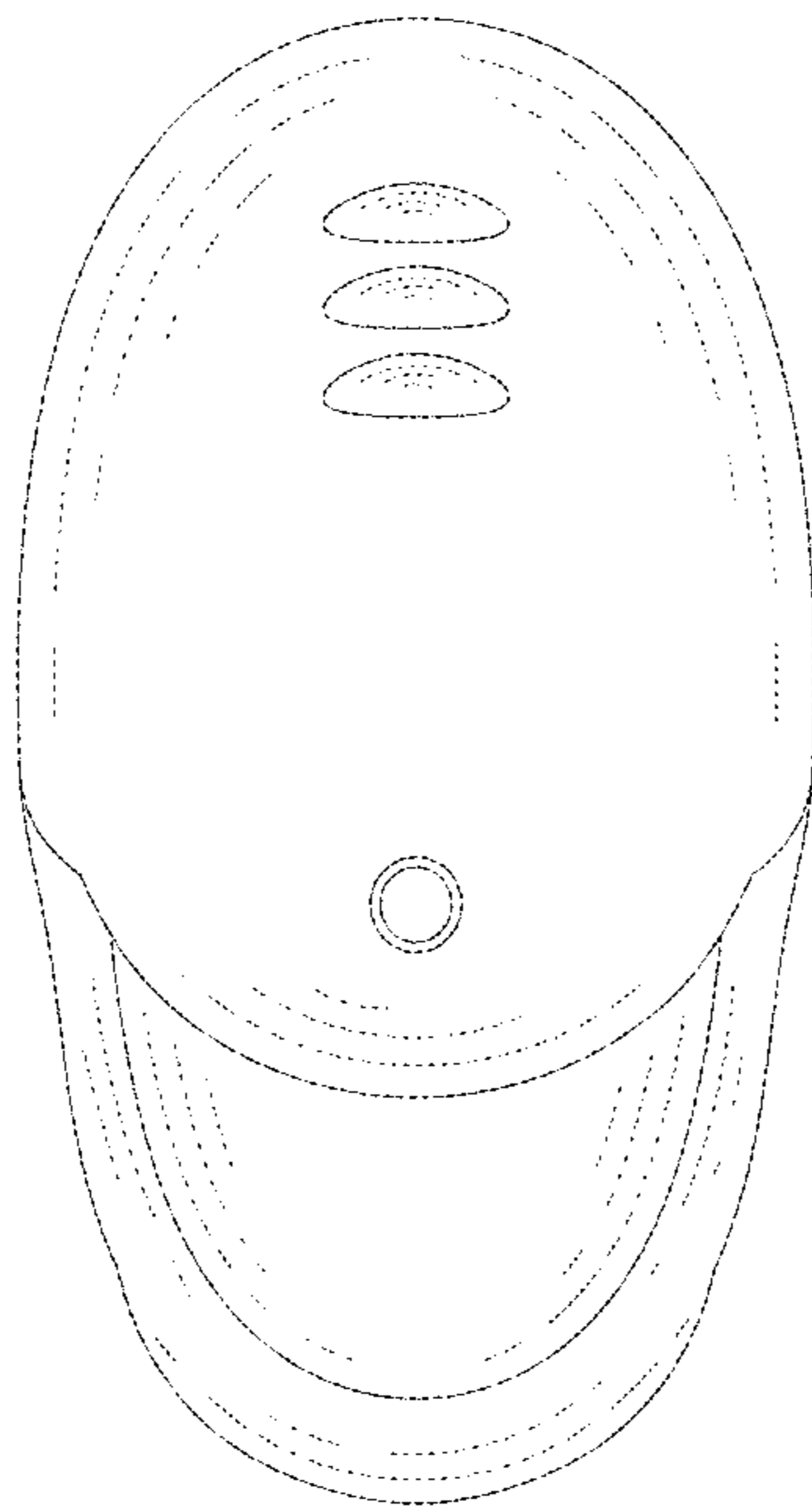


FIG. 7

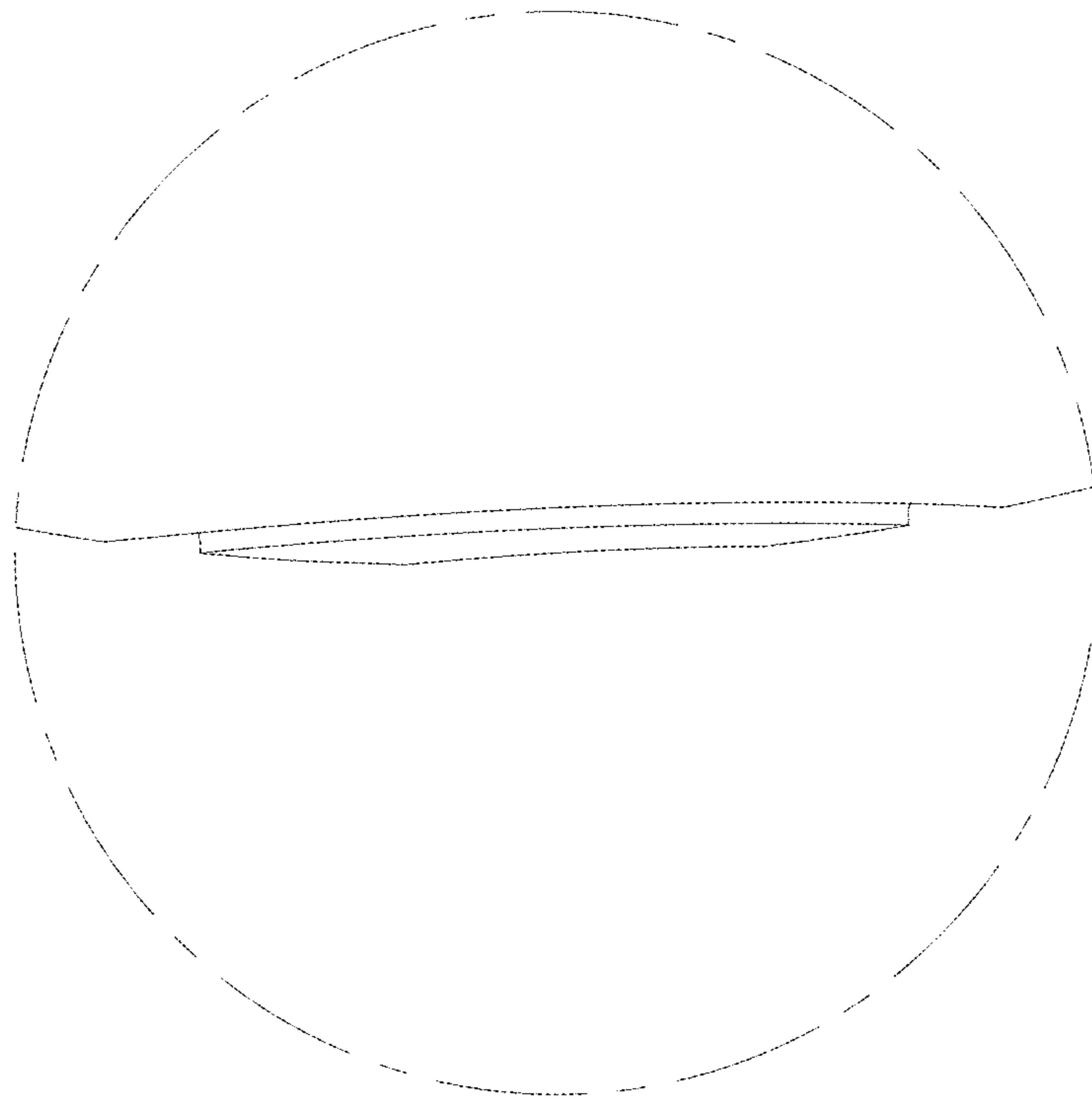


FIG. 8